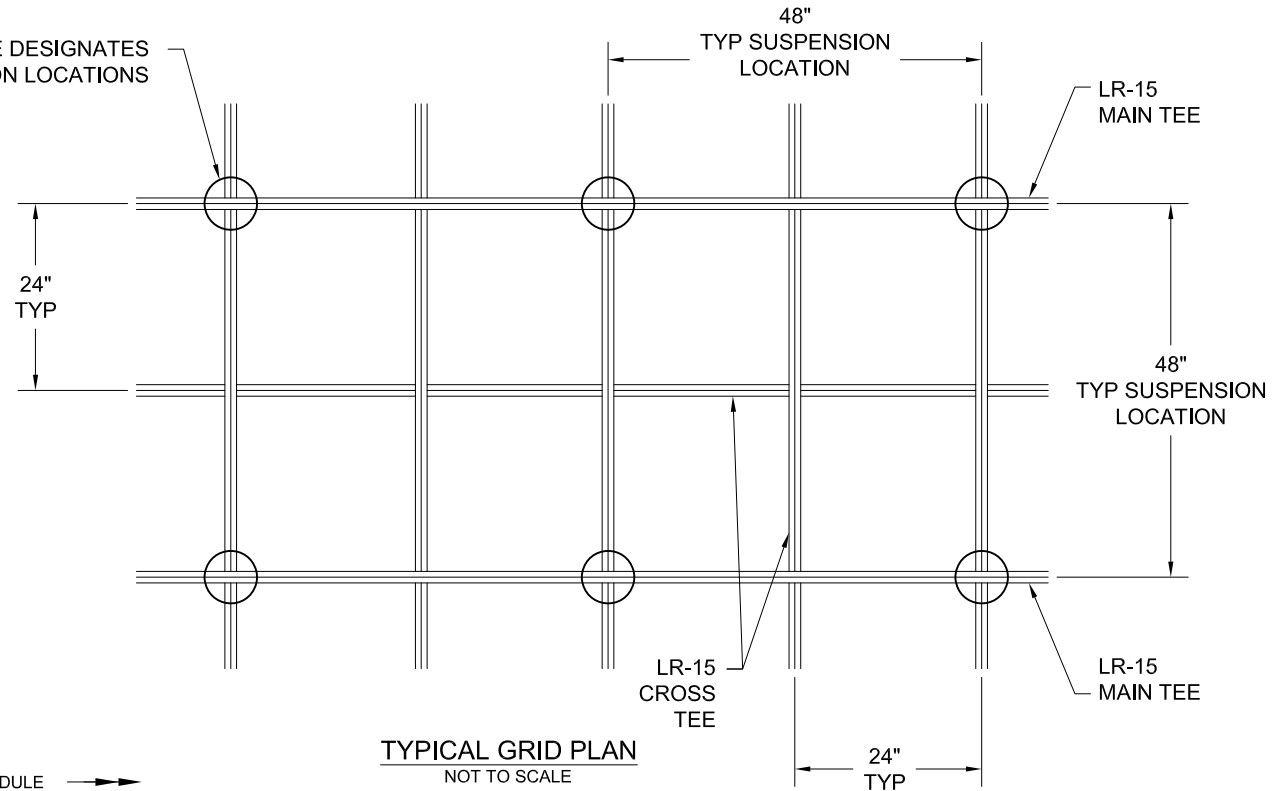
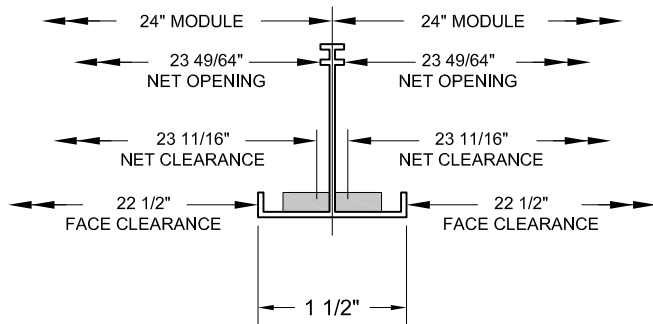


CIRCLE DESIGNATES  
SUSPENSION  
LOCATIONS



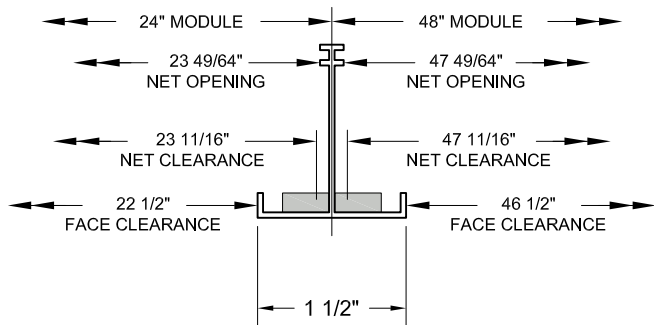
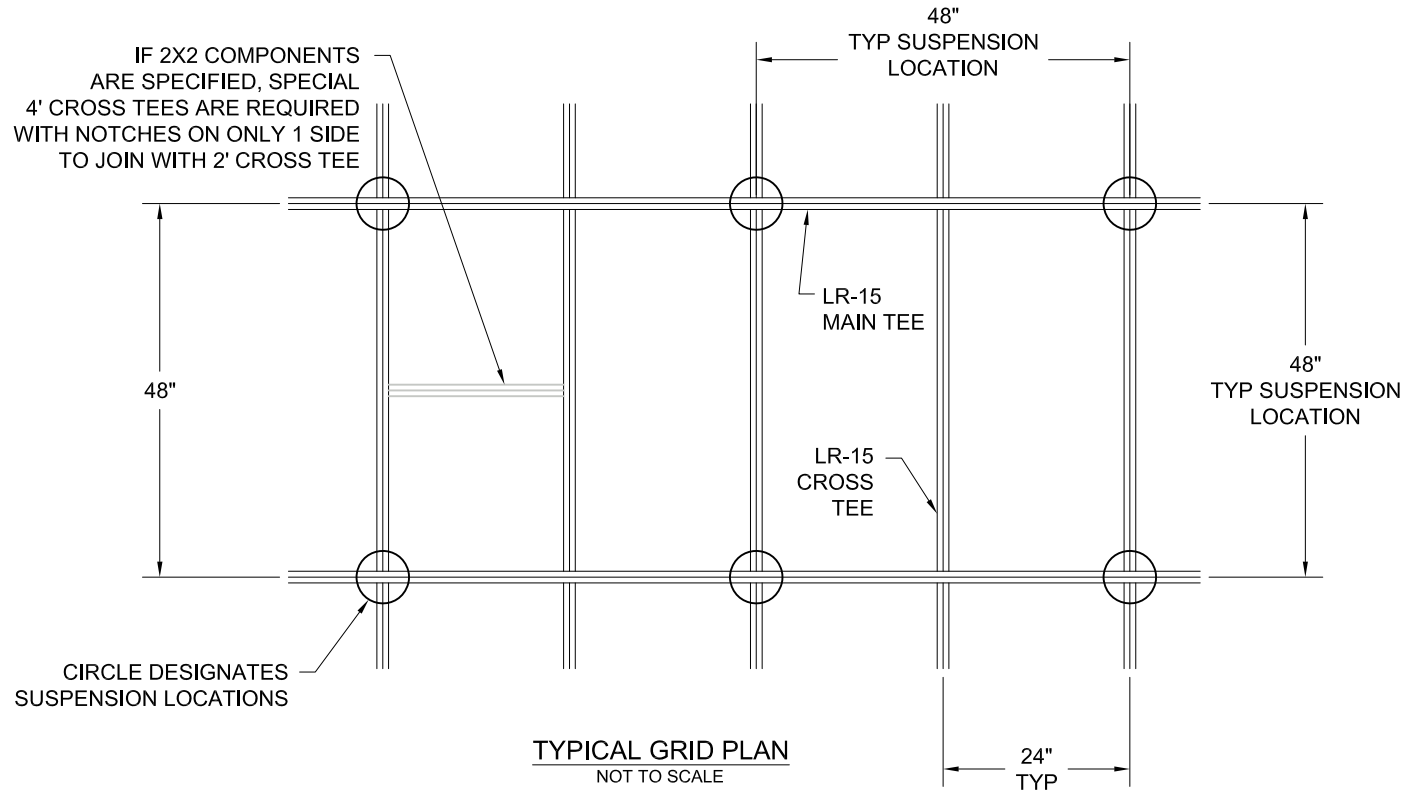
TYPICAL GRID PLAN  
NOT TO SCALE



**GORDON**®  
ARCHITECTURAL+ENGINEERED SOLUTIONS

5023 Hazel Jones Rd.  
Bossier City, LA 71111  
800.747.8954  
GORDON-INC.COM  
sales@gordon-inc.com

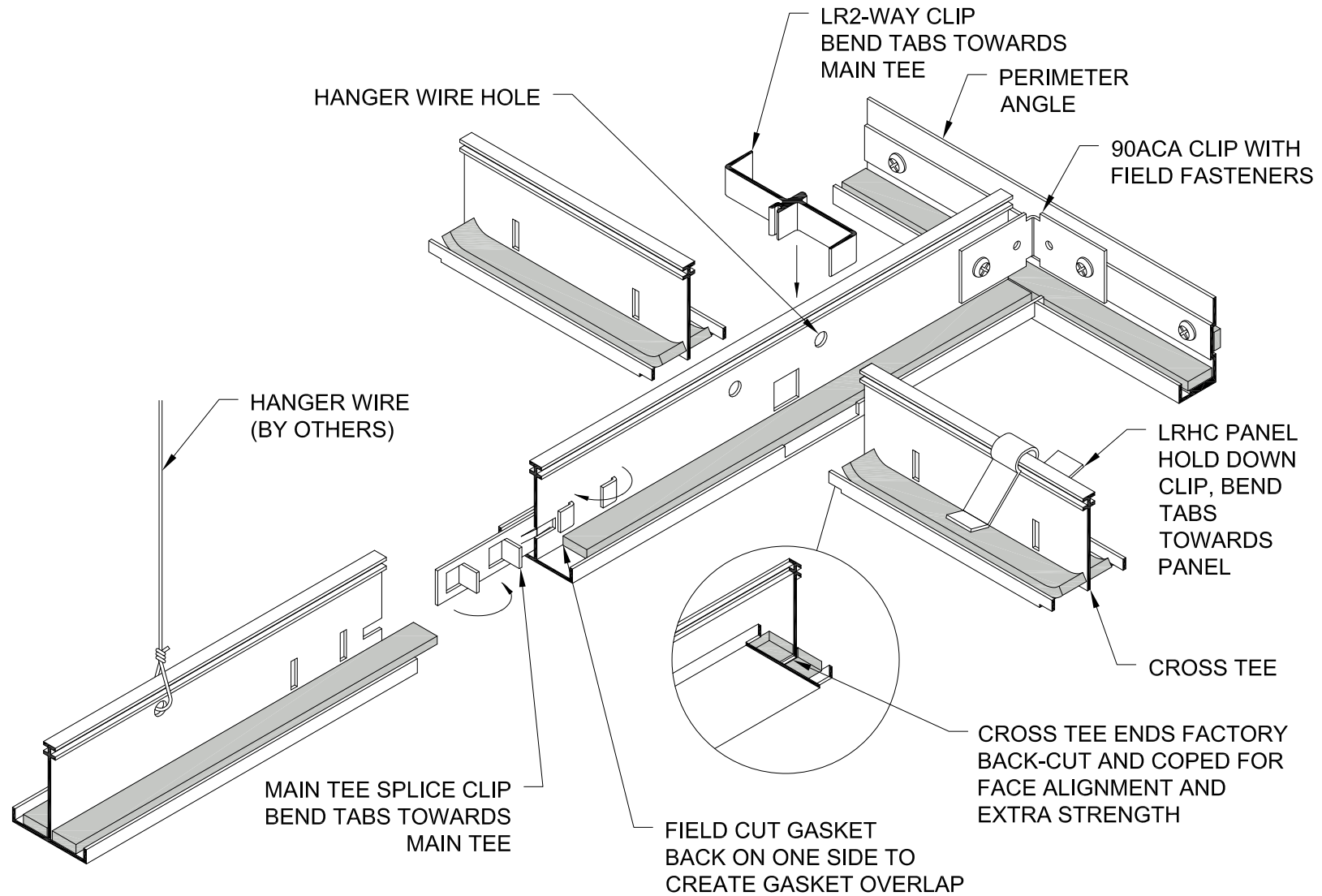
# CLEANROOM CEILINGS SUSPENSION-WIRE HUNG-LR-15 24" / 24" GRID PLAN



**GORDON**<sup>®</sup>  
ARCHITECTURAL+ENGINEERED SOLUTIONS

5023 Hazel Jones Rd.  
Bossier City, LA 71111  
800.747.8954  
GORDON-INC.COM  
sales@gordon-inc.com

CLEANROOM CEILINGS  
SUSPENSION-WIRE HUNG-LR-15  
24" / 48" GRID PLAN



**GORDON**<sup>®</sup>  
ARCHITECTURAL+ENGINEERED SOLUTIONS

5023 Hazel Jones Rd.  
Bossier City, LA 71111  
800.747.8954  
GORDON-INC.COM  
sales@gordon-inc.com

## CLEANROOM CEILINGS SUSPENSION-WIRE HUNG-LR-15 ISOMETRIC ASSEMBLY