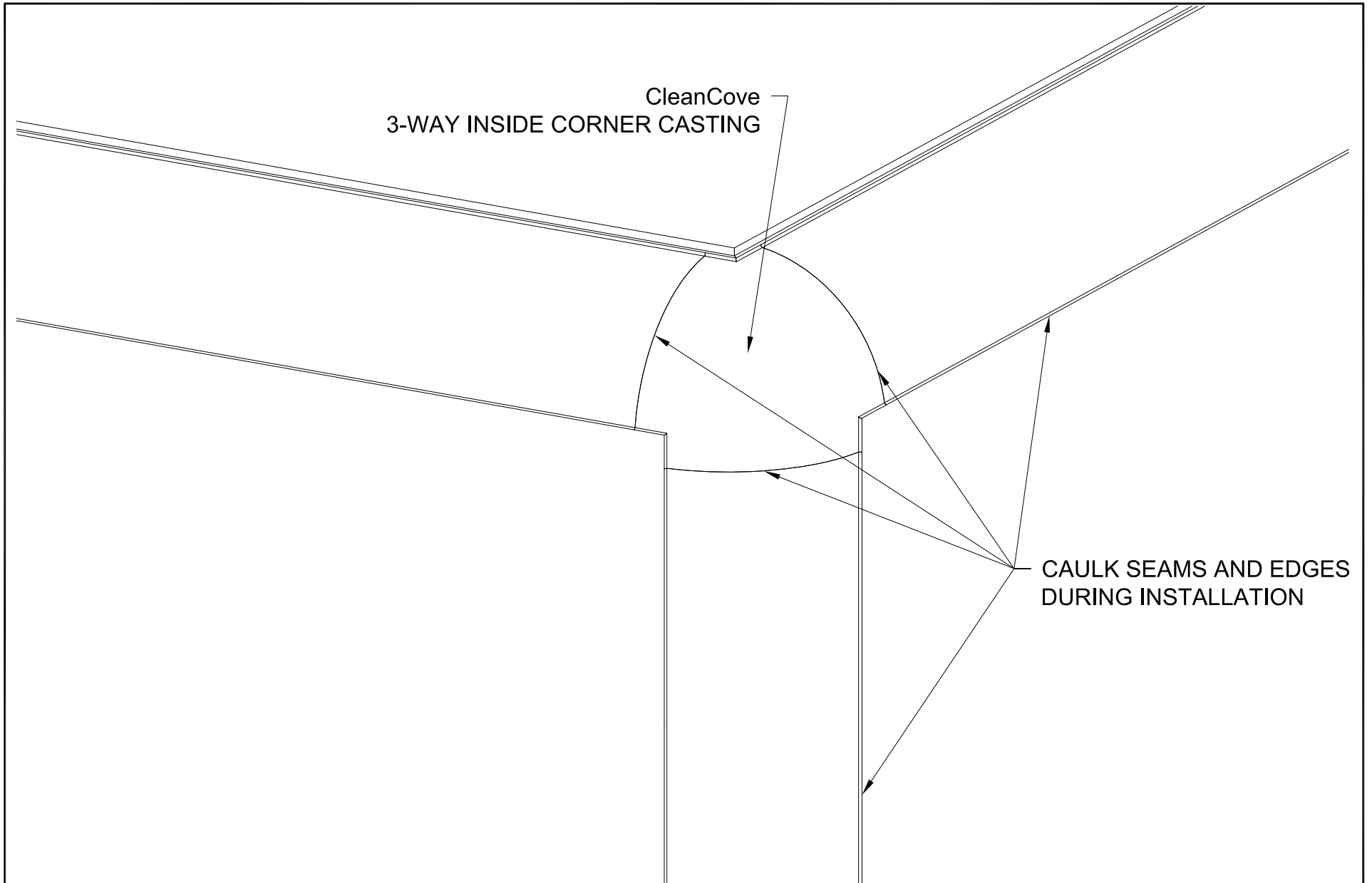


**GORDON**<sup>®</sup>  
ARCHITECTURAL+ENGINEERED SOLUTIONS

5023 Hazel Jones Rd.  
Bossier City, LA 71111  
800.747.8954  
GORDON-INC.COM  
sales@gordon-inc.com

CLEANROOM CEILING  
CLEANCOVE  
ROOM ISOMETRIC VIEW



**GORDON**®  
ARCHITECTURAL+ENGINEERED SOLUTIONS

5023 Hazel Jones Rd.  
Bossier City, LA 71111  
800.747.8954  
GORDON-INC.COM  
sales@gordon-inc.com

CLEANROOM CEILING  
CLEANCOVE  
INSIDE CORNER VIEW

CLEANROOM CEILING  
GRID SYSTEM

WA-2  
WALL ANGLE

ANCHOR  
STRIP

Align CleanCove WITH 3-WAY  
INSIDE CORNER CASTING &  
SNAP INTO ANCHOR STRIP

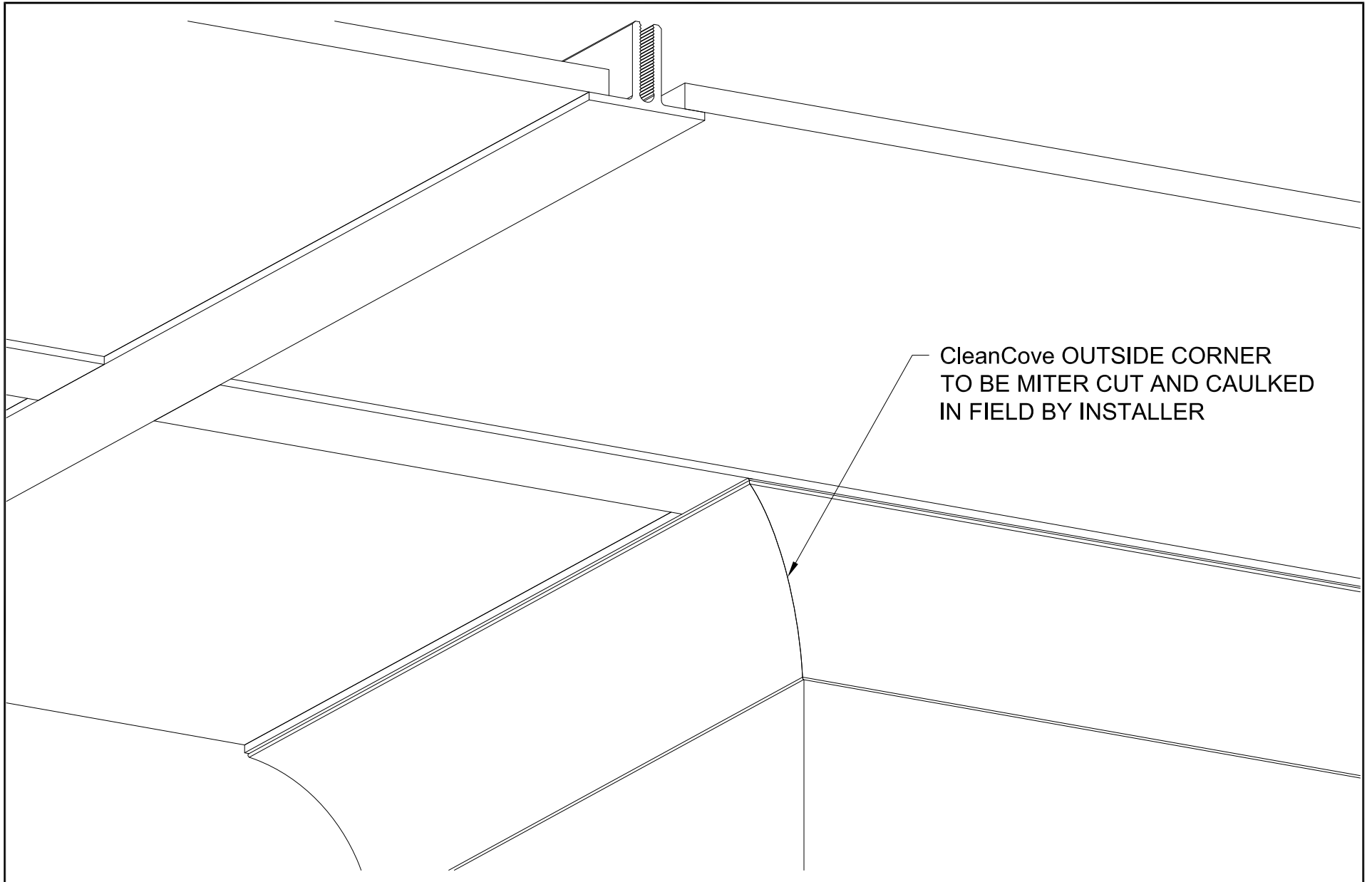
CleanCove

CleanCove  
3-WAY INSIDE CORNER CASTING

**GORDON**<sup>®</sup>  
ARCHITECTURAL+ENGINEERED SOLUTIONS

5023 Hazel Jones Rd.  
Bossier City, LA 71111  
800.747.8954  
GORDON-INC.COM  
sales@gordon-inc.com

CLEANROOM CEILING  
CLEANCOVE  
INSIDE CORNER INSTALLATION

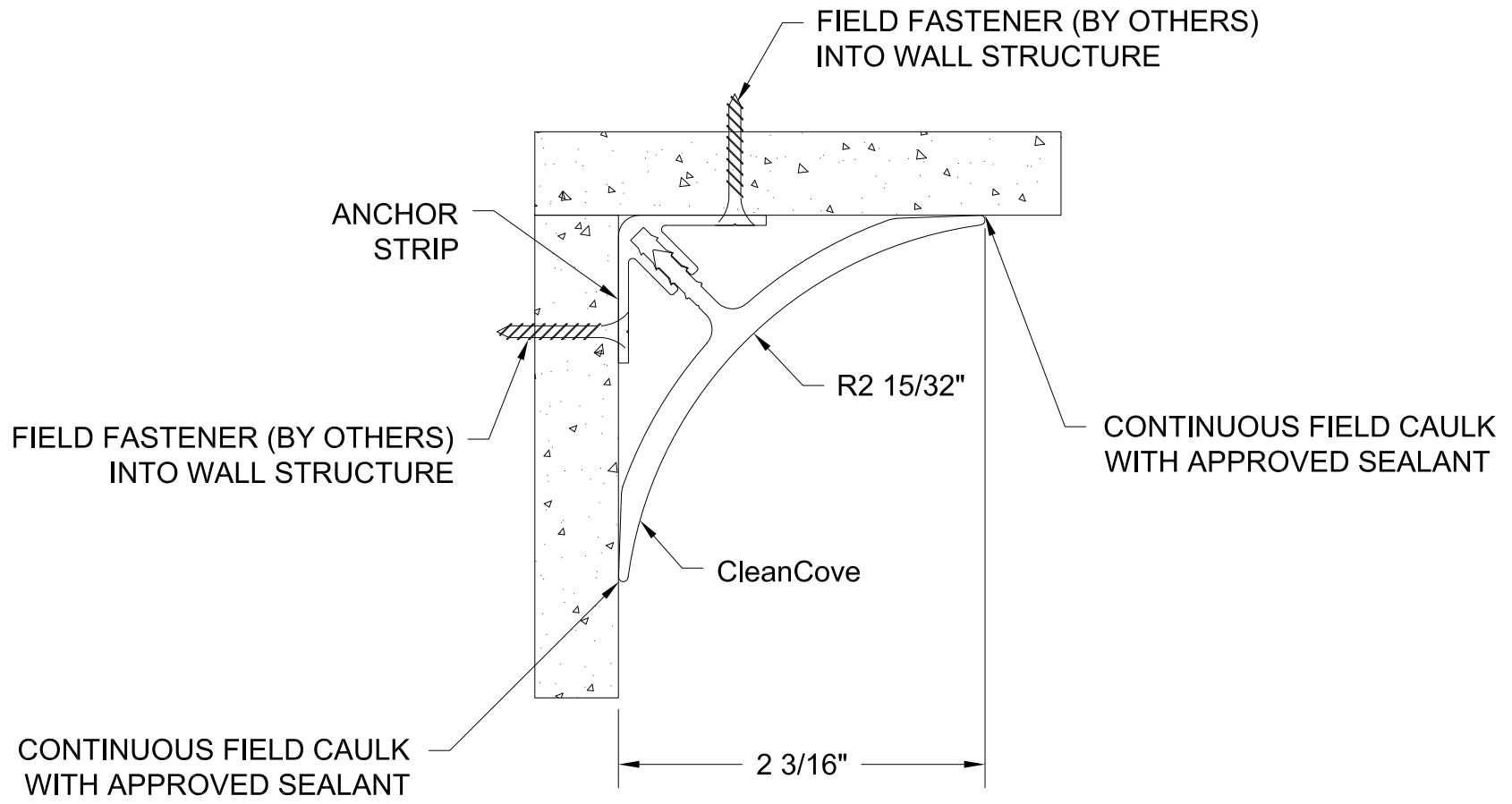


CleanCove OUTSIDE CORNER  
TO BE MITER CUT AND CAULKED  
IN FIELD BY INSTALLER

**GORDON**®  
ARCHITECTURAL+ENGINEERED SOLUTIONS

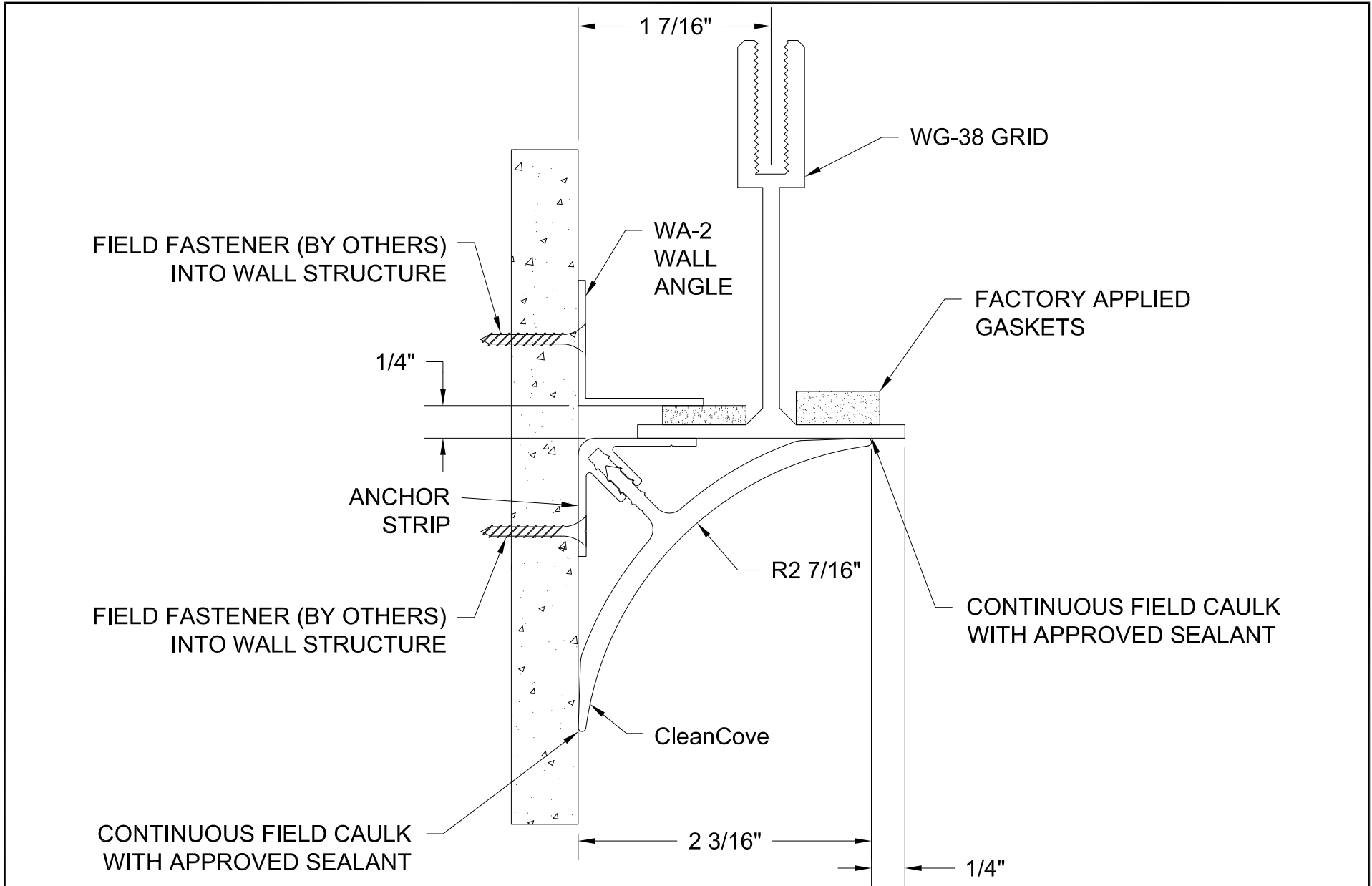
5023 Hazel Jones Rd.  
Bossier City, LA 71111  
800.747.8954  
GORDON-INC.COM  
sales@gordon-inc.com

CLEANROOM CEILING  
CLEANCOVE  
OUTSIDE CORNER VIEW



**GORDON**® ARCHITECTURAL+ENGINEERED SOLUTIONS  
 5023 Hazel Jones Rd.  
 Bossier City, LA 71111  
 800.747.8954  
 GORDON-INC.COM  
 sales@gordon-inc.com

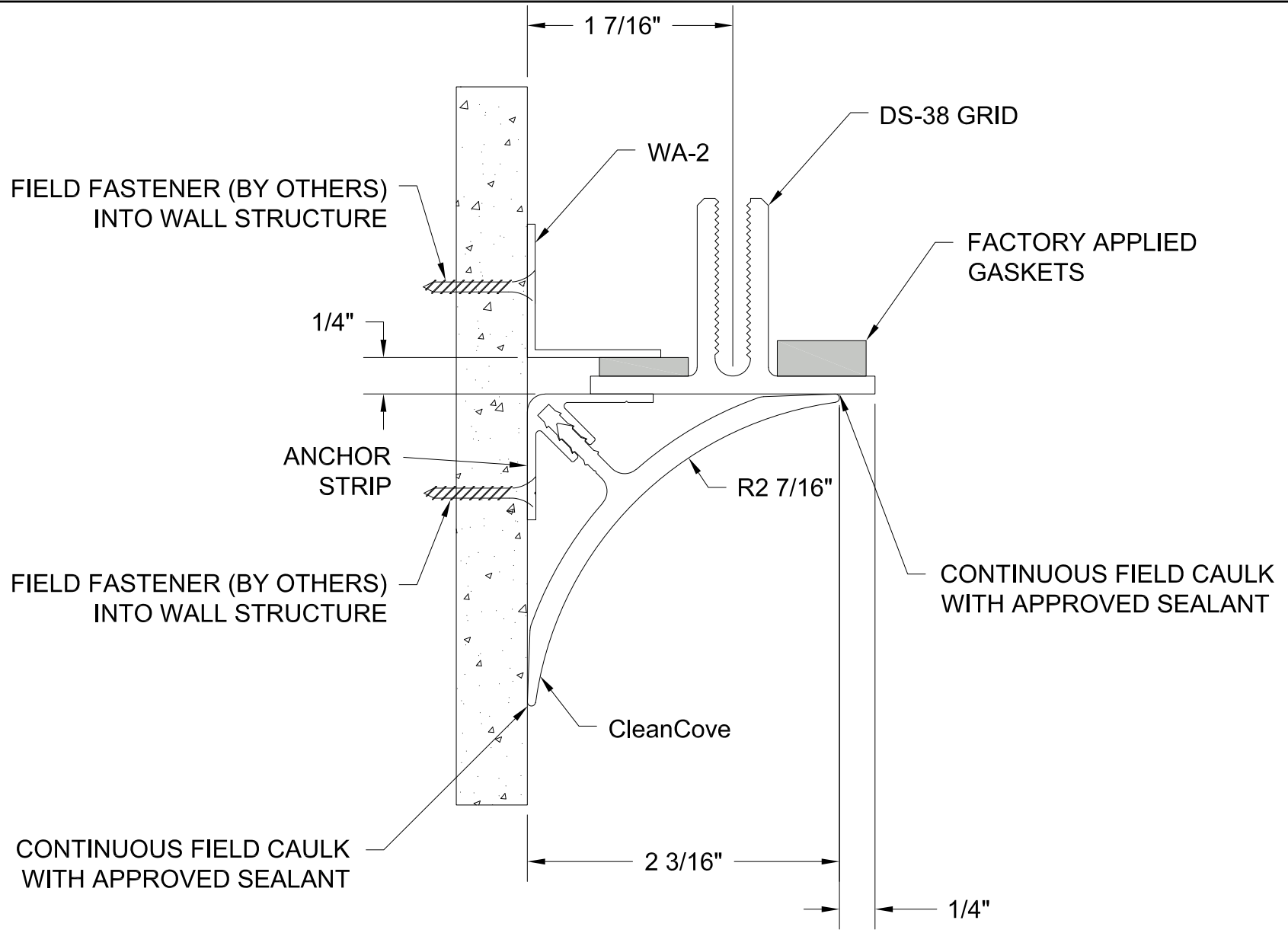
CLEANROOM CEILING  
 CLEANCOVE  
 WALL SECTION



**GORDON**<sup>®</sup>  
 ARCHITECTURAL+ENGINEERED SOLUTIONS

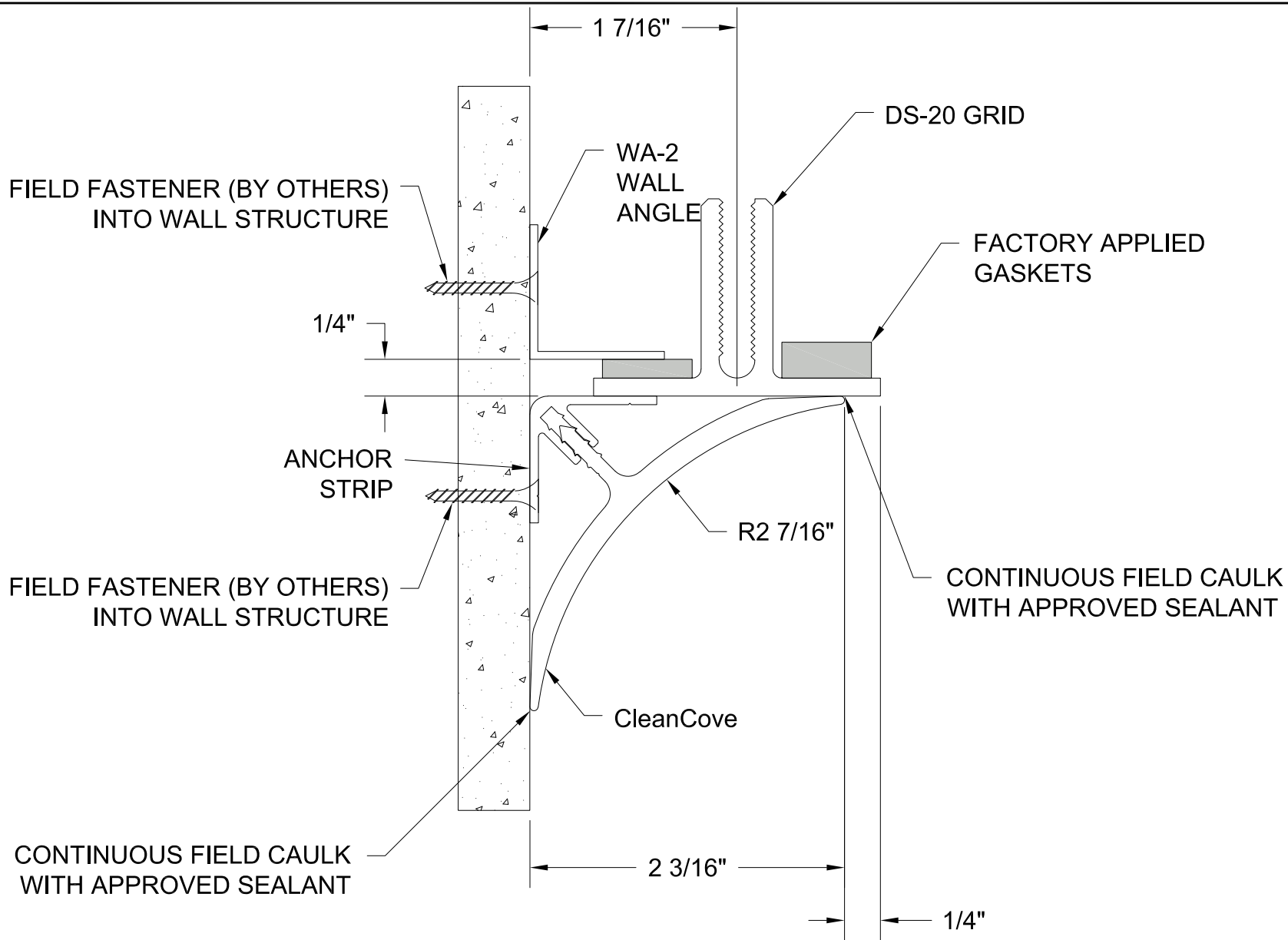
5023 Hazel Jones Rd.  
 Bossier City, LA 71111  
 800.747.8954  
 GORDON-INC.COM  
 sales@gordon-inc.com

CLEANROOM CEILING  
 CLEANCOVE  
 WG-38 CEILING SECTION

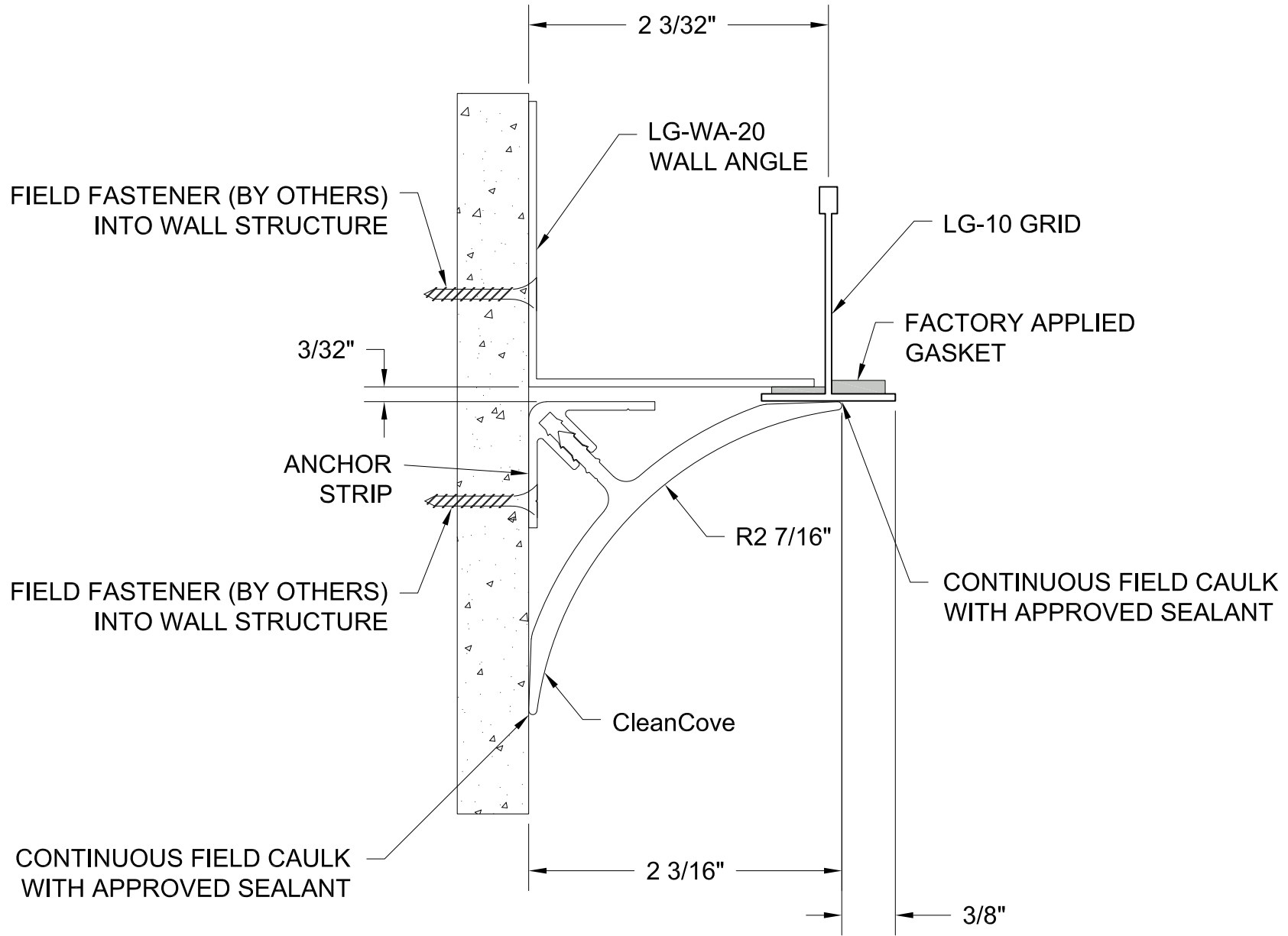


**GORDON**® ARCHITECTURAL+ENGINEERED SOLUTIONS  
 5023 Hazel Jones Rd.  
 Bossier City, LA 71111  
 800.747.8954  
 GORDON-INC.COM  
 sales@gordon-inc.com

**CLEANROOM CEILING  
 CLEANCOVE  
 DS-38 CEILING SECTION**



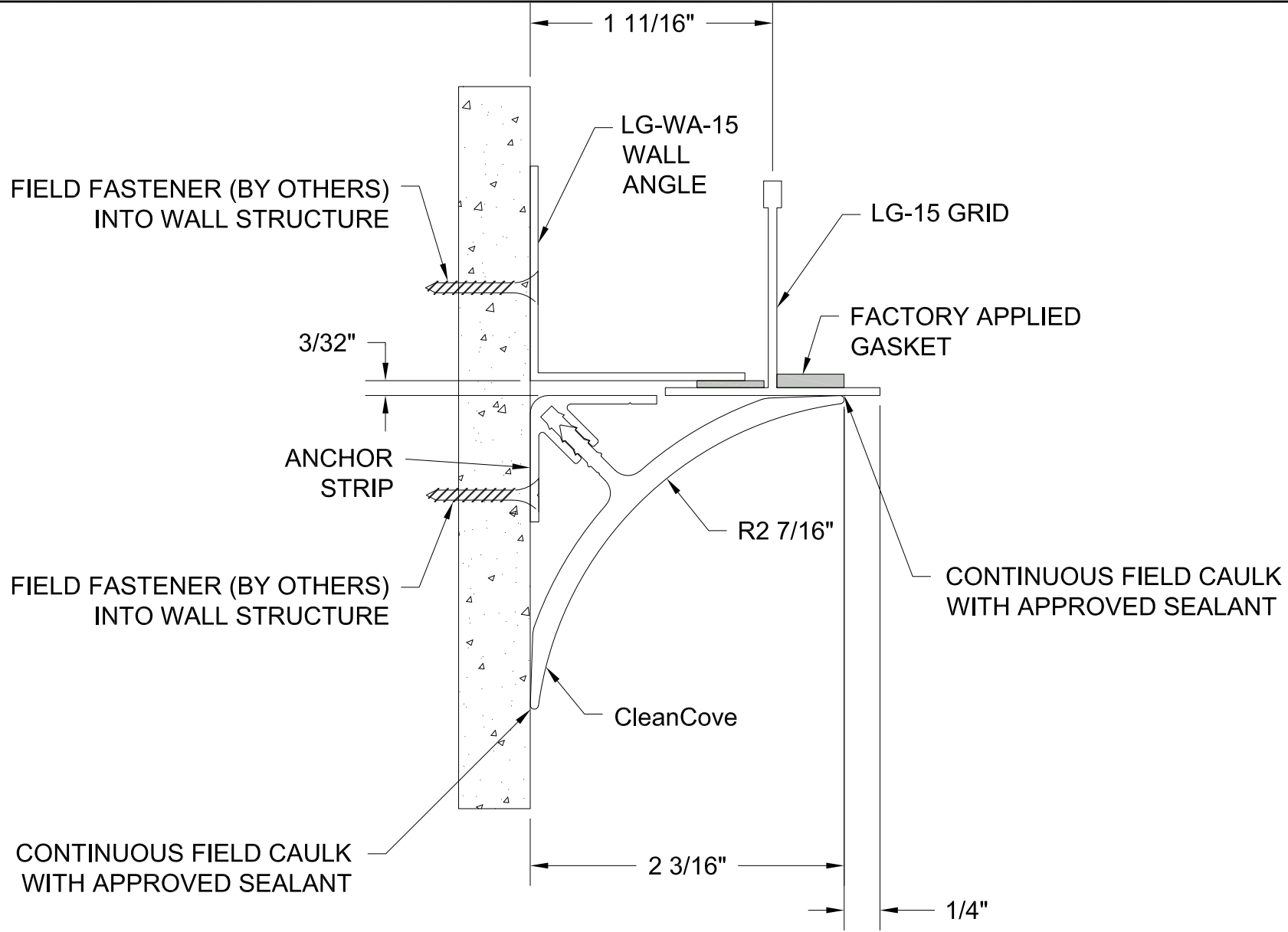




**GORDON**<sup>®</sup>  
 ARCHITECTURAL+ENGINEERED SOLUTIONS

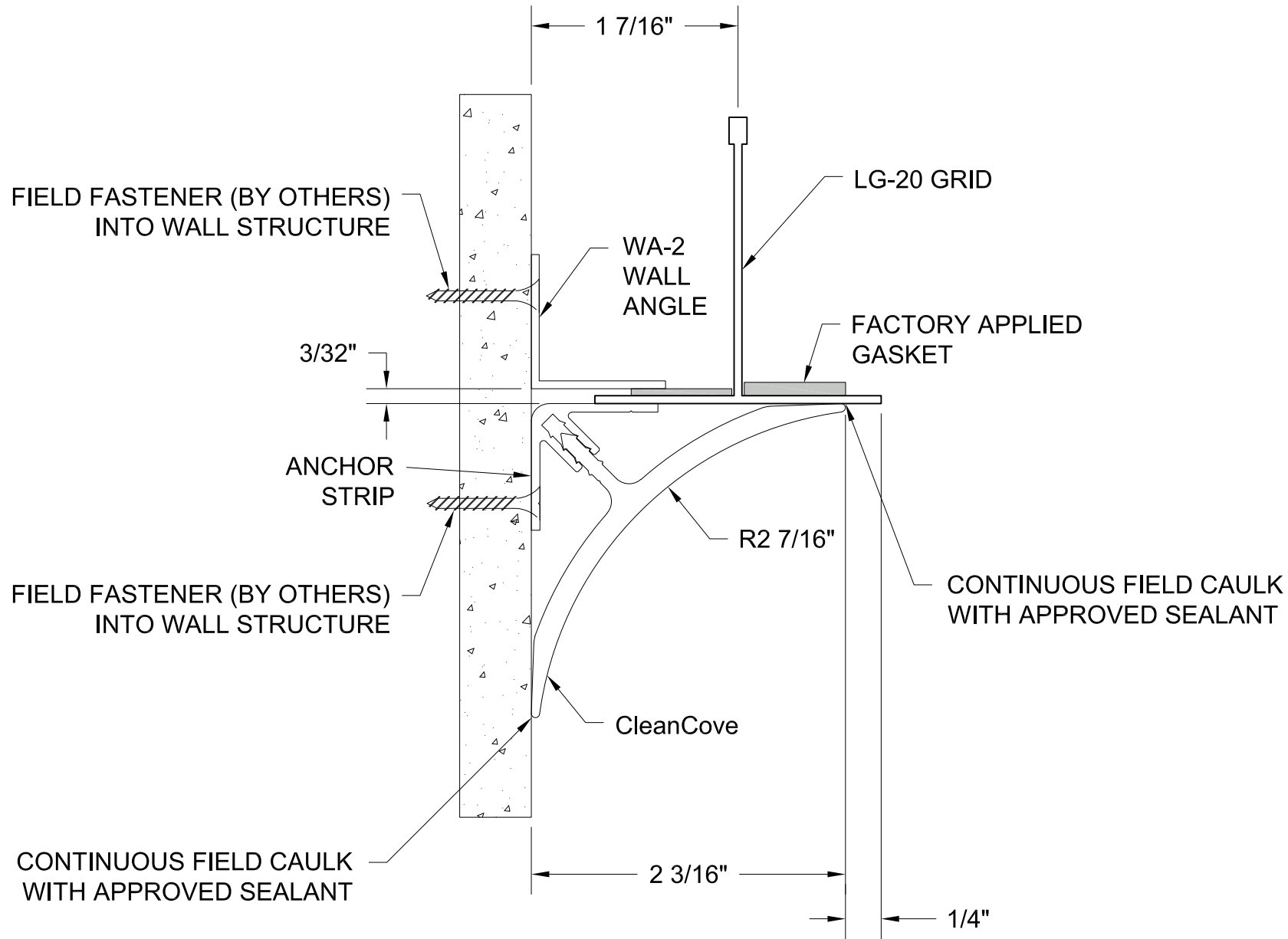
5023 Hazel Jones Rd.  
 Bossier City, LA 71111  
 800.747.8954  
 GORDON-INC.COM  
 sales@gordon-inc.com

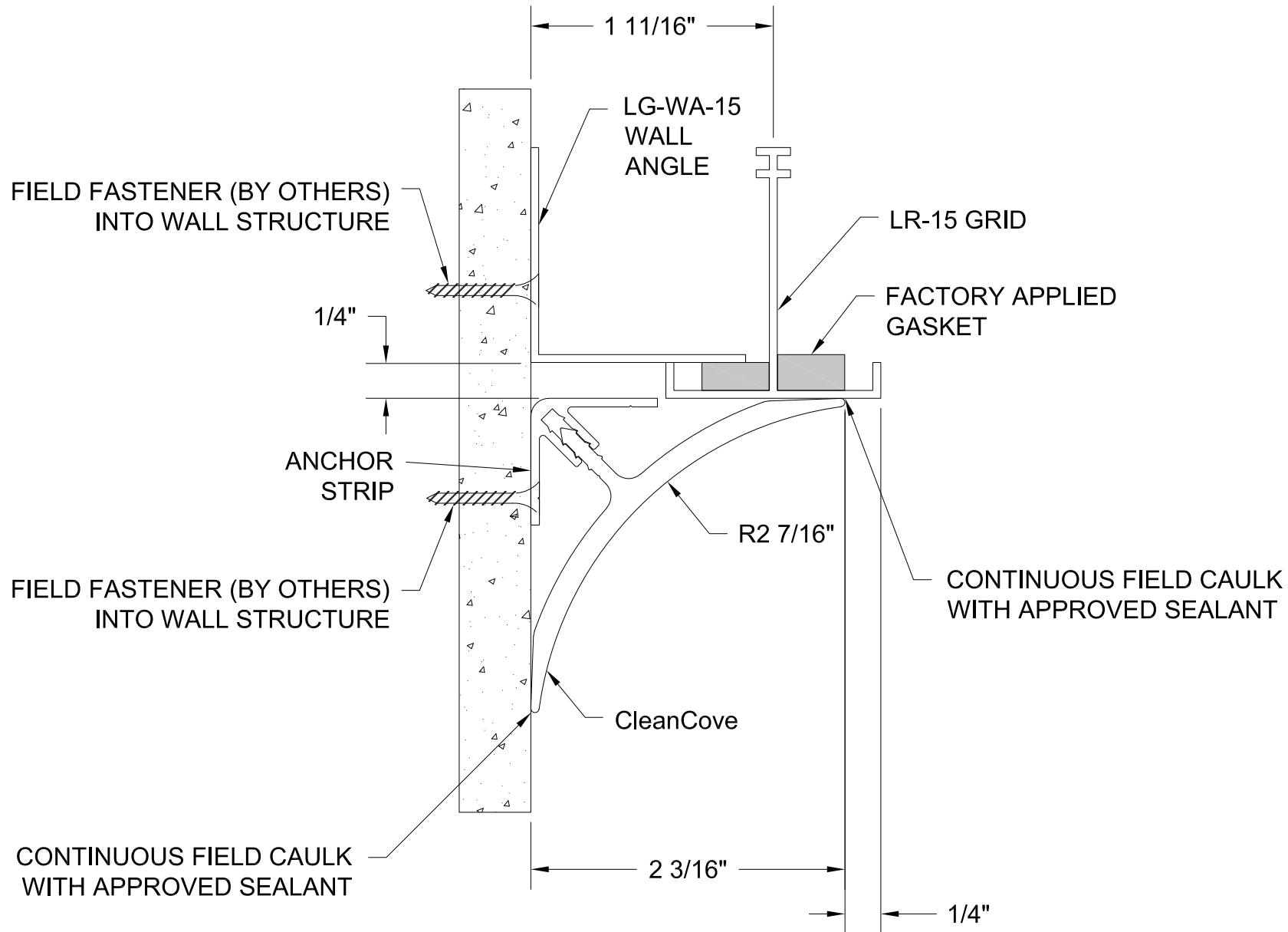
**CLEANROOM CEILING  
 CLEANCOVE  
 LG-10 CEILING SECTION**



**GORDON**® ARCHITECTURAL+ENGINEERED SOLUTIONS  
 5023 Hazel Jones Rd.  
 Bossier City, LA 71111  
 800.747.8954  
 GORDON-INC.COM  
 sales@gordon-inc.com

**CLEANROOM CEILING  
 CLEANCOVE  
 LG-15 CEILING SECTION**





CLEANROOM CEILING  
 CLEANCOVE  
 LR-15 CEILING SECTION

**GORDON**® ARCHITECTURAL+ENGINEERED SOLUTIONS  
 5023 Hazel Jones Rd.  
 Bossier City, LA 71111  
 800.747.8954  
 GORDON-INC.COM  
 sales@gordon-inc.com