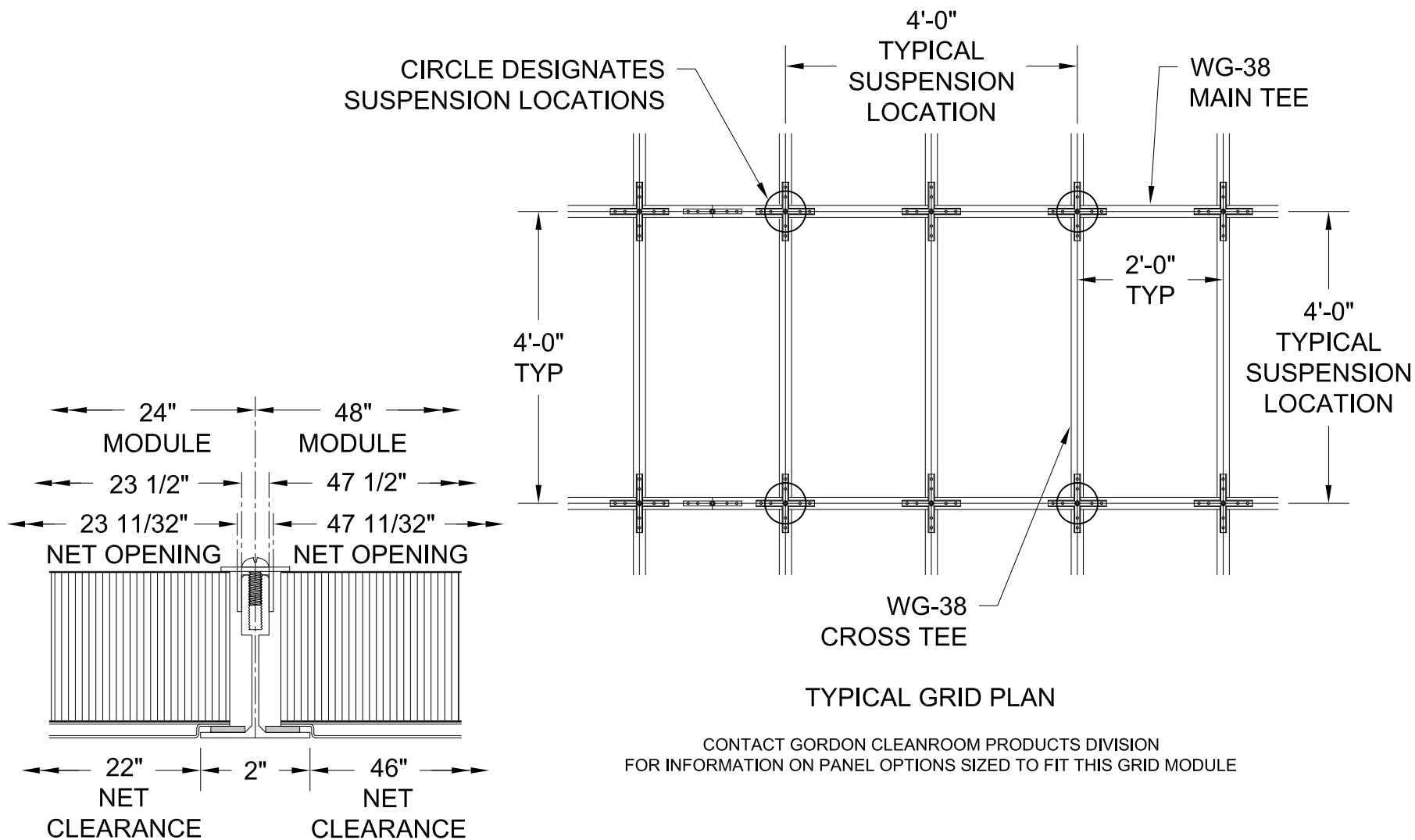


**GORDON**®  
ARCHITECTURAL+ENGINEERED SOLUTIONS

5023 Hazel Jones Rd.  
Bossier City, LA 71111  
800.747.8954  
GORDON-INC.COM  
sales@gordon-inc.com

CLEANROOM CEILINGS  
WG-38-MP CEILING  
ISOMETRIC VIEW

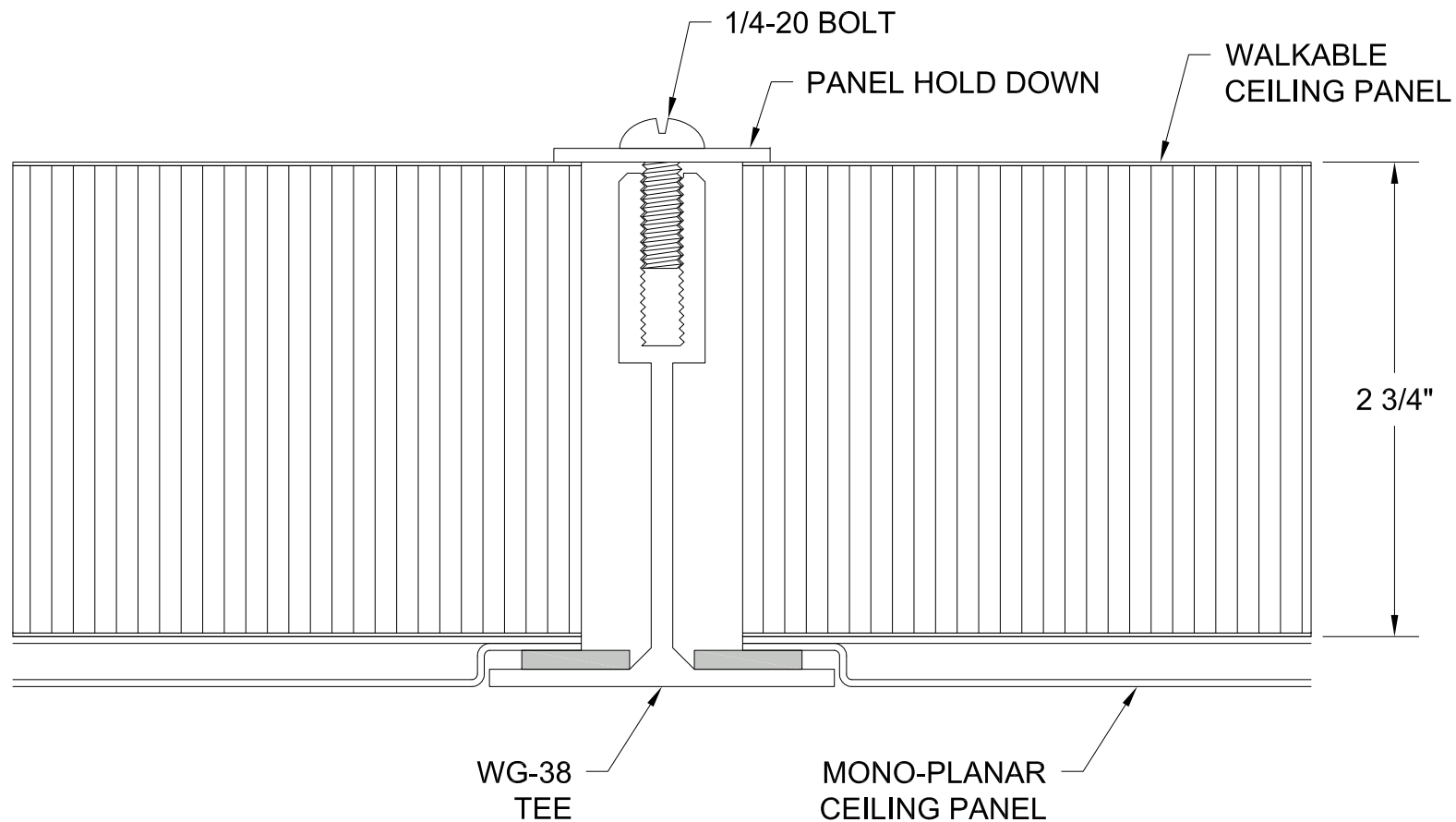


TYPICAL GRID PLAN

CONTACT GORDON CLEANROOM PRODUCTS DIVISION  
FOR INFORMATION ON PANEL OPTIONS SIZED TO FIT THIS GRID MODULE

MODULE SIZING (NOT TO SCALE)  
FILTERS/FIXTURES DIMENSIONS ARE TYPICALLY  
MODULE SIZE LESS 7/8" (MAXIMUM O.D.)

PATENT PENDING

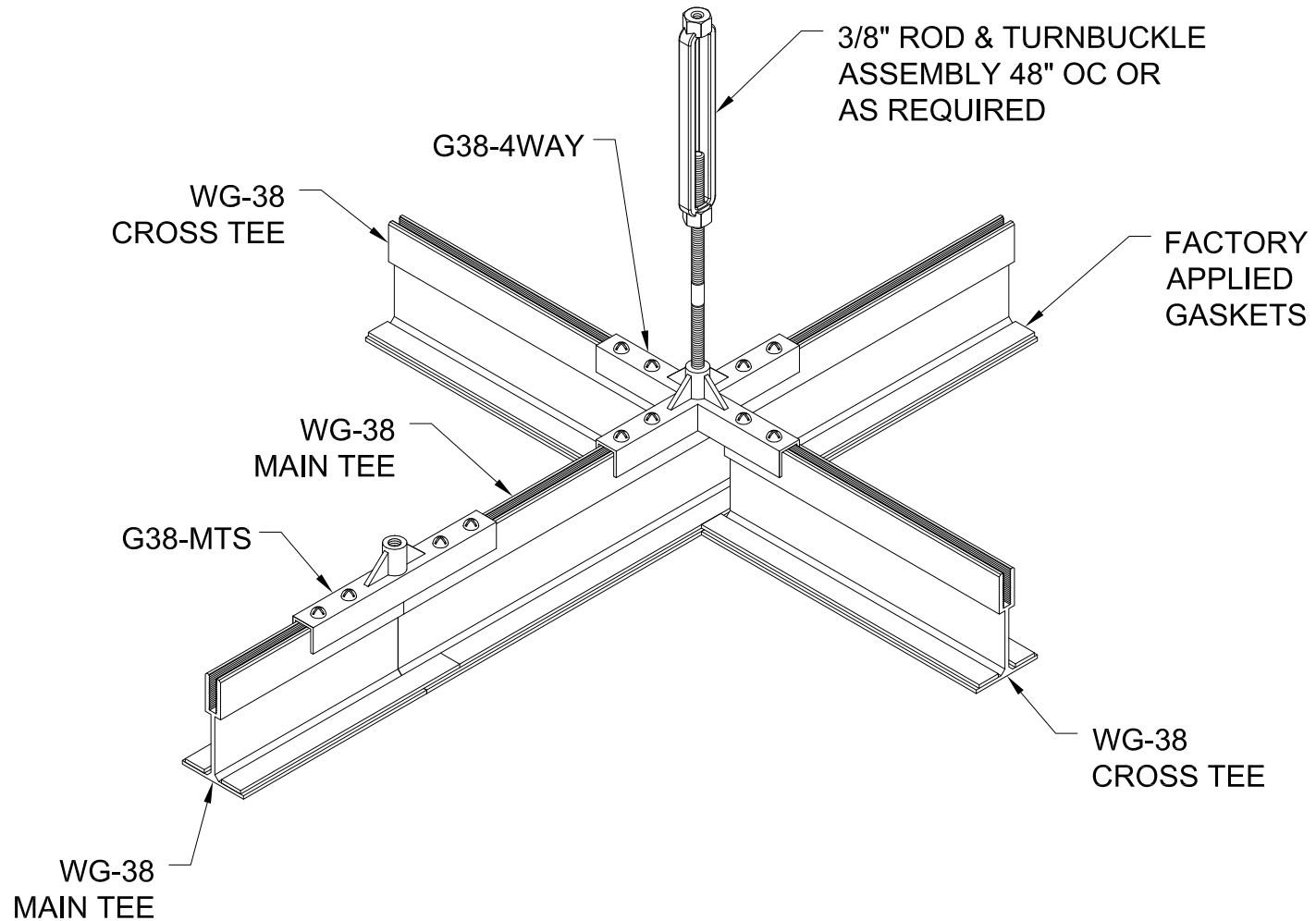


PATENT PENDING

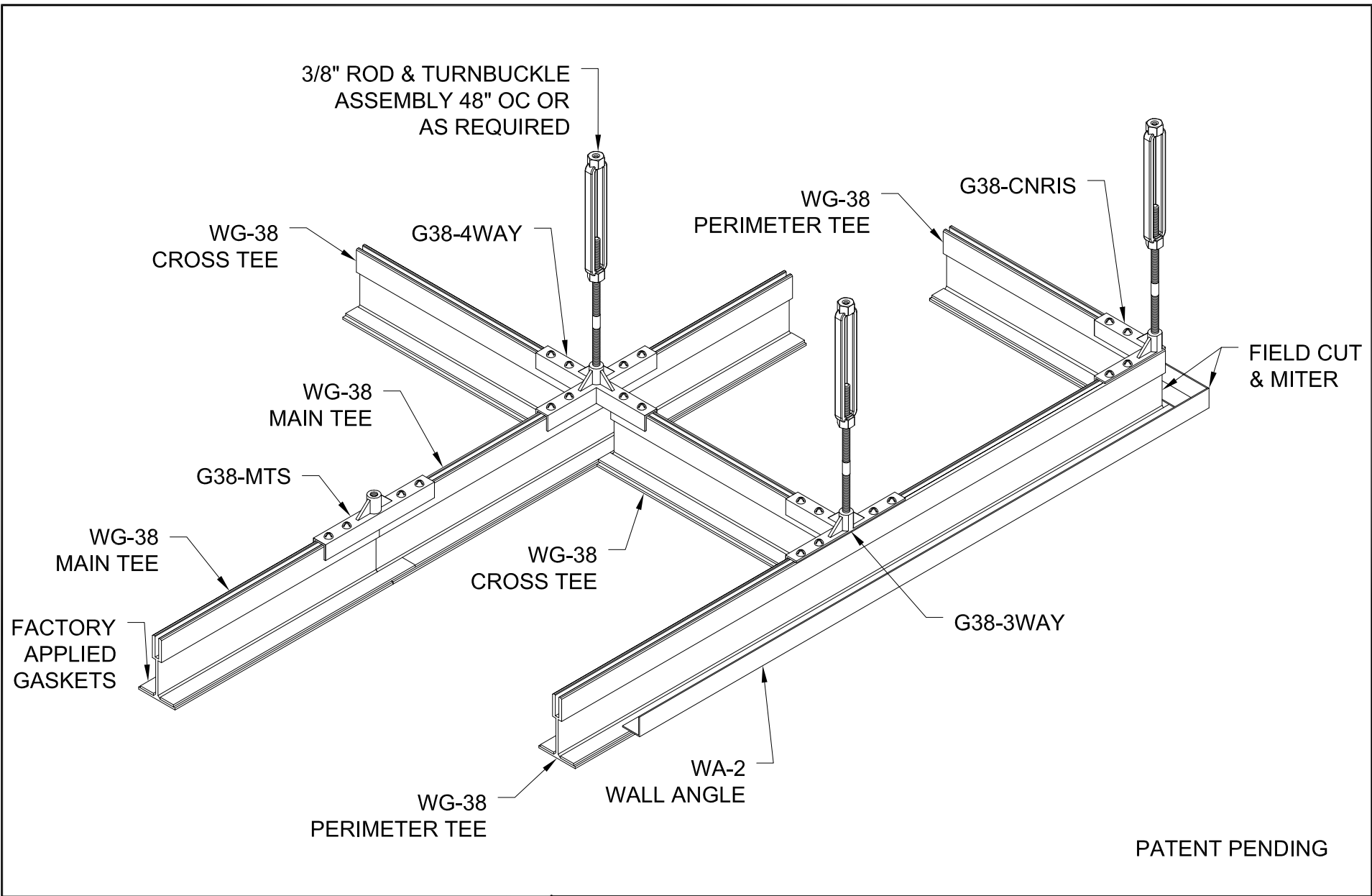
**GORDON**<sup>®</sup>  
ARCHITECTURAL+ENGINEERED SOLUTIONS

5023 Hazel Jones Rd.  
Bossier City, LA 71111  
800.747.8954  
GORDON-INC.COM  
sales@gordon-inc.com

CLEANROOM CEILINGS  
WG-38-MP CEILING  
WALKABLE PANEL SECTION



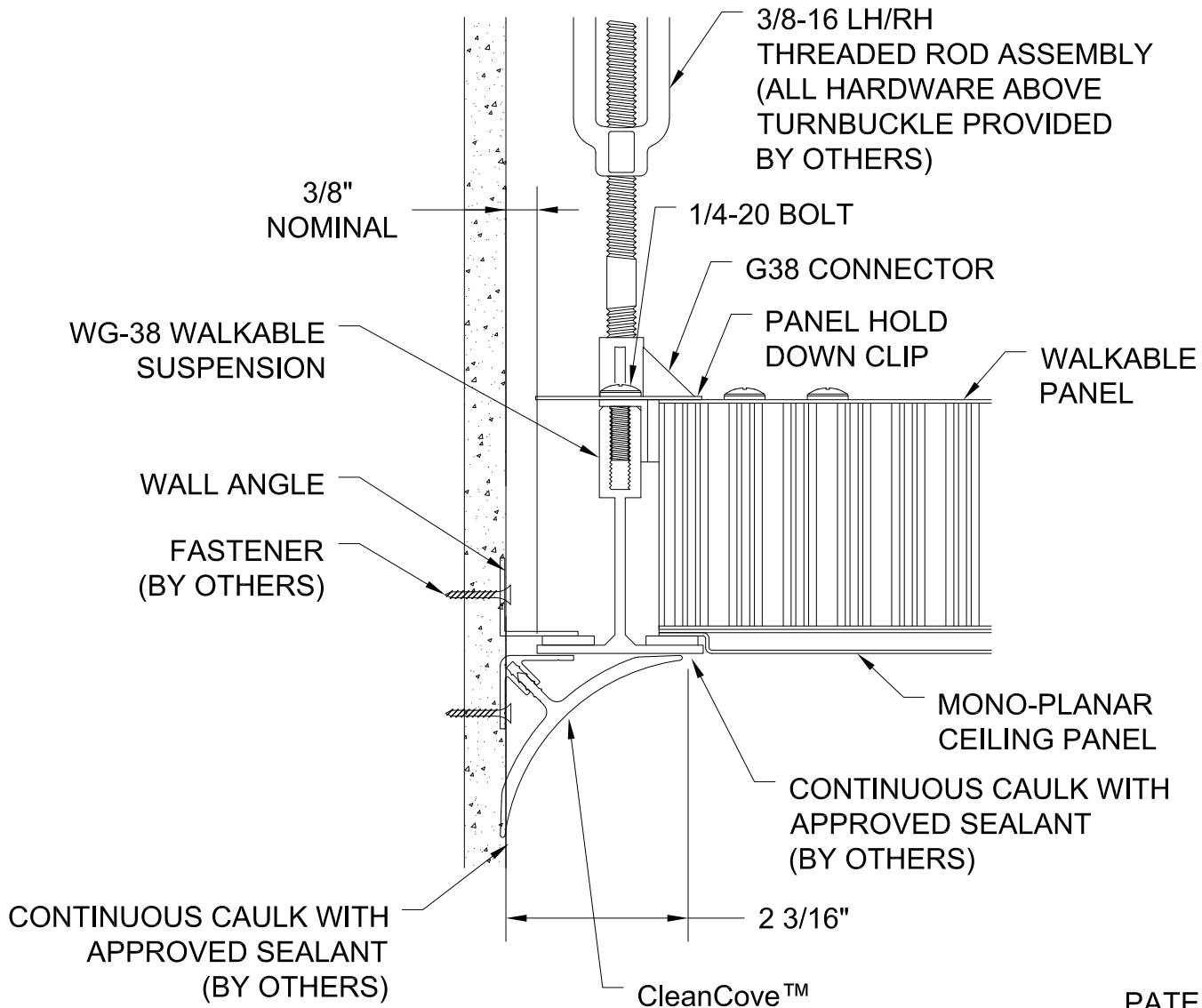
PATENT PENDING



**GORDON**<sup>®</sup>  
ARCHITECTURAL+ENGINEERED SOLUTIONS

5023 Hazel Jones Rd.  
Bossier City, LA 71111  
800.747.8954  
GORDON-INC.COM  
sales@gordon-inc.com

CLEANROOM CEILINGS  
WG-38-MP CEILING  
FLOATING PERIMETER ISOMETRIC



PATENT PENDING

**GORDON**®  
ARCHITECTURAL+ENGINEERED SOLUTIONS

5023 Hazel Jones Rd.  
Bossier City, LA 71111  
800.747.8954  
GORDON-INC.COM  
sales@gordon-inc.com

**CLEANROOM CEILINGS  
WG-38-MP CEILING  
FLOATING PERIMETER SECTION**

