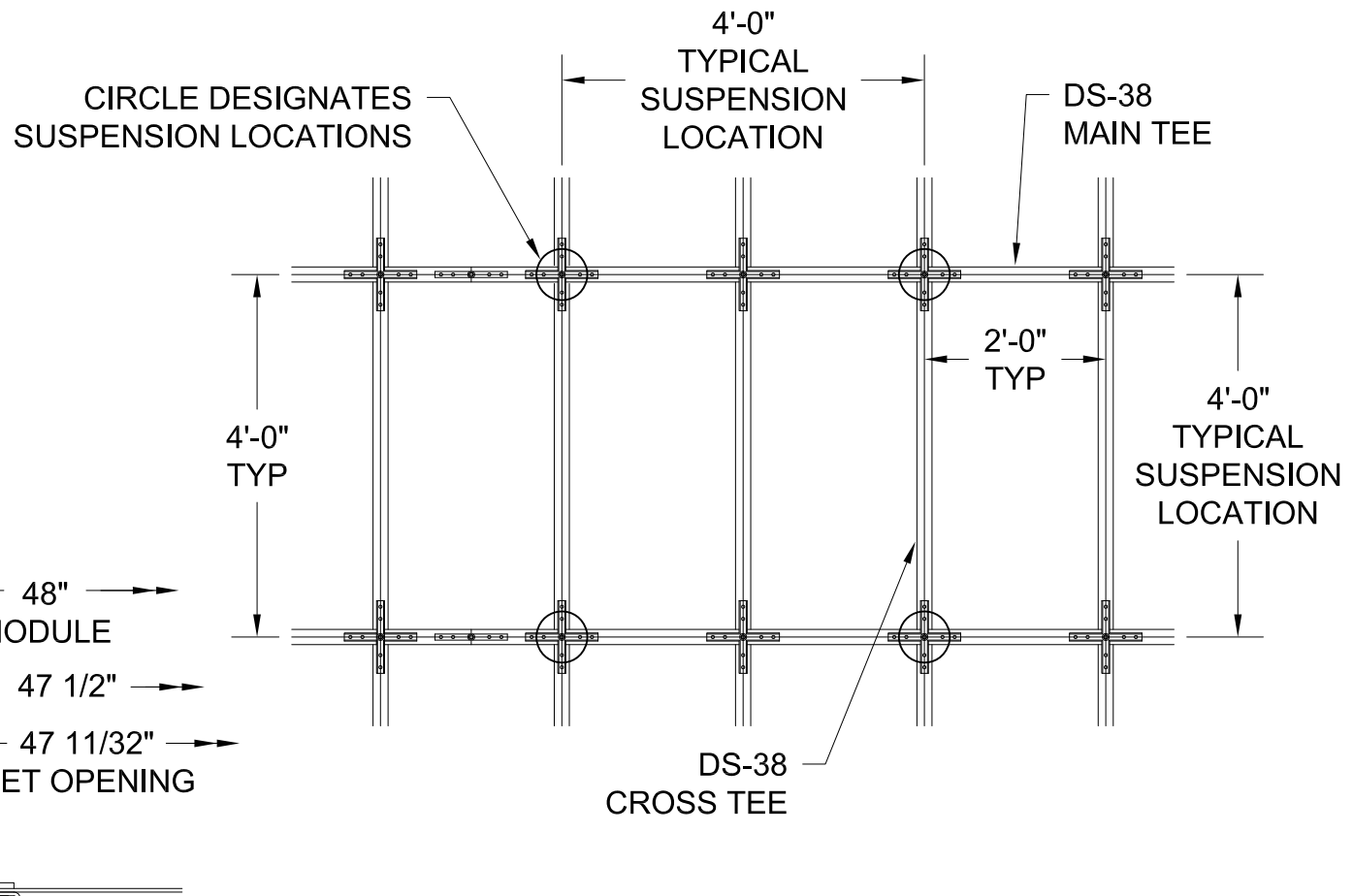


GORDON®
ARCHITECTURAL+ENGINEERED SOLUTIONS

5023 Hazel Jones Rd.
Bossier City, LA 71111
800.747.8954
GORDON-INC.COM
sales@gordon-inc.com

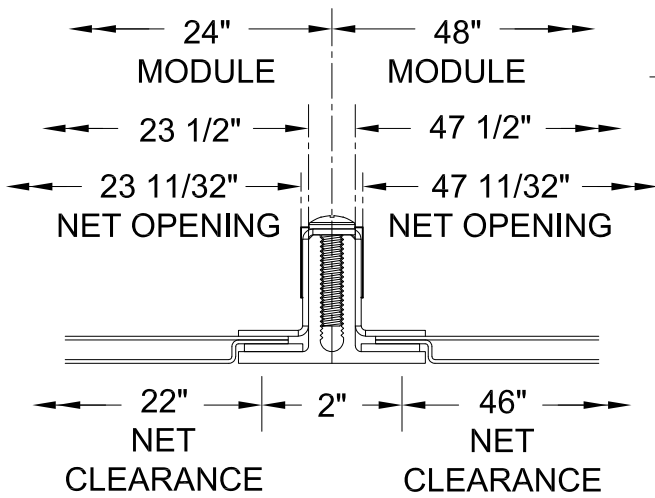
CLEANROOM CEILINGS
DS-38-MP CEILING
ISOMETRIC VIEW



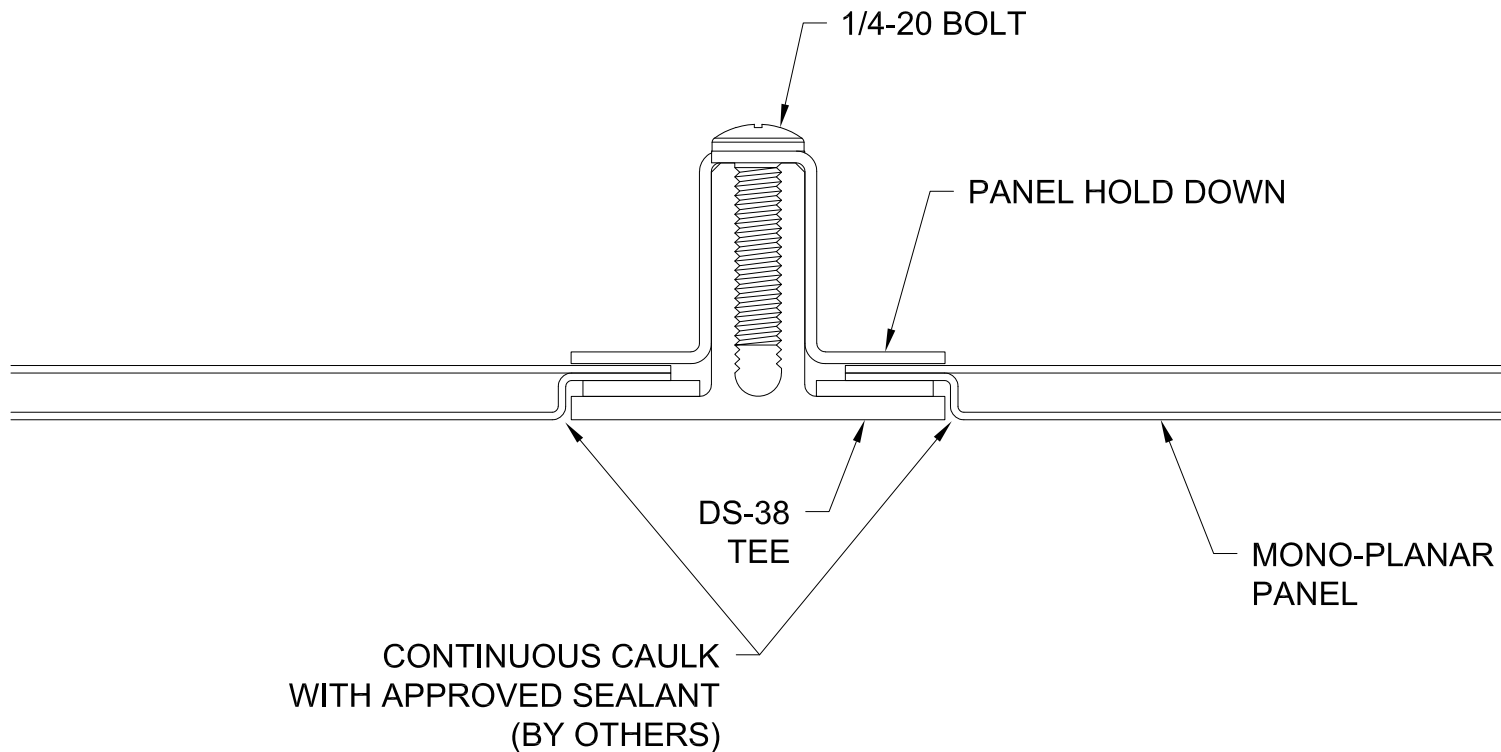
TYPICAL GRID PLAN

CONTACT GORDON CLEANROOM PRODUCTS DIVISION FOR INFORMATION ON PANEL OPTIONS SIZED TO FIT THIS GRID MODULE

PATENT PENDING



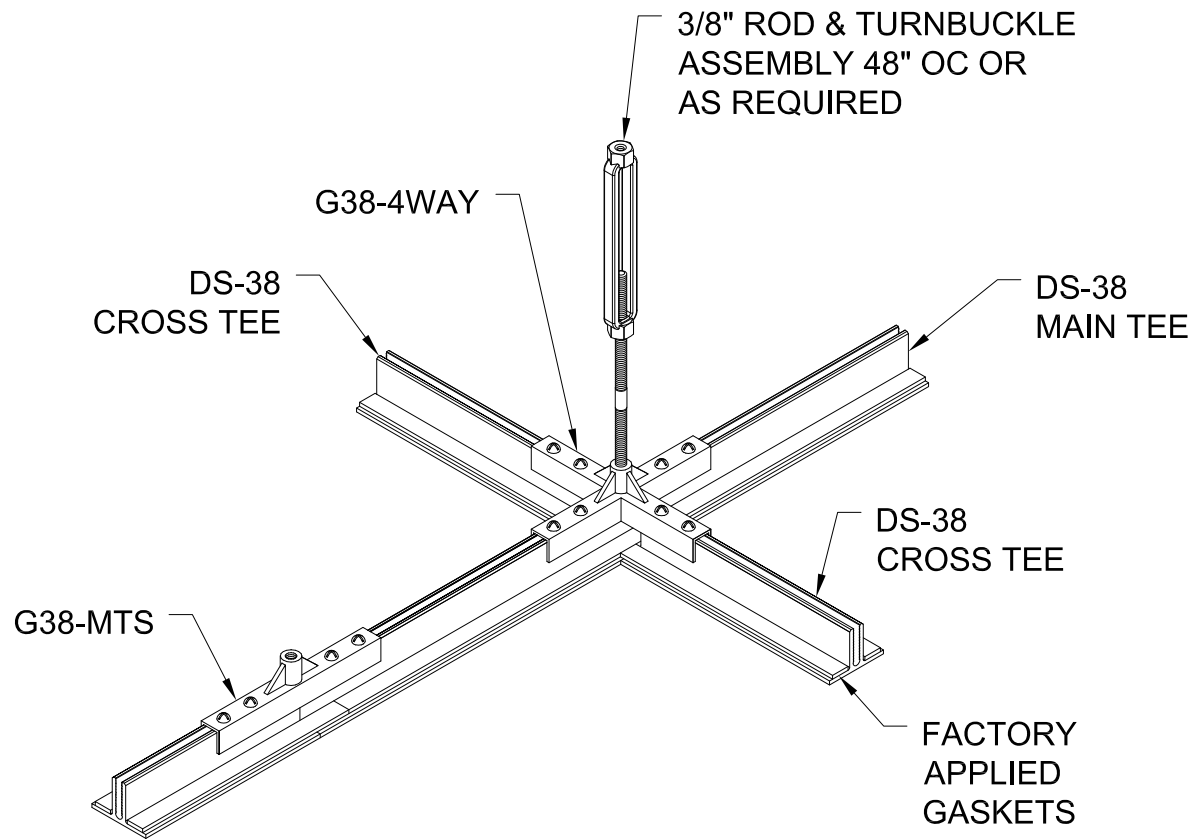
MODULE SIZING (NOT TO SCALE)
 FILTERS/FIXTURES DIMENSIONS ARE TYPICALLY
 MODULE SIZE LESS 7/8" (MAXIMUM O.D.)



PATENT PENDING

GORDON® ARCHITECTURAL+ENGINEERED SOLUTIONS
 5023 Hazel Jones Rd.
 Bossier City, LA 71111
 800.747.8954
 GORDON-INC.COM
 sales@gordon-inc.com

CLEANROOM CEILINGS
 DS-38-MP CEILING
 STANDARD PANEL SECTION

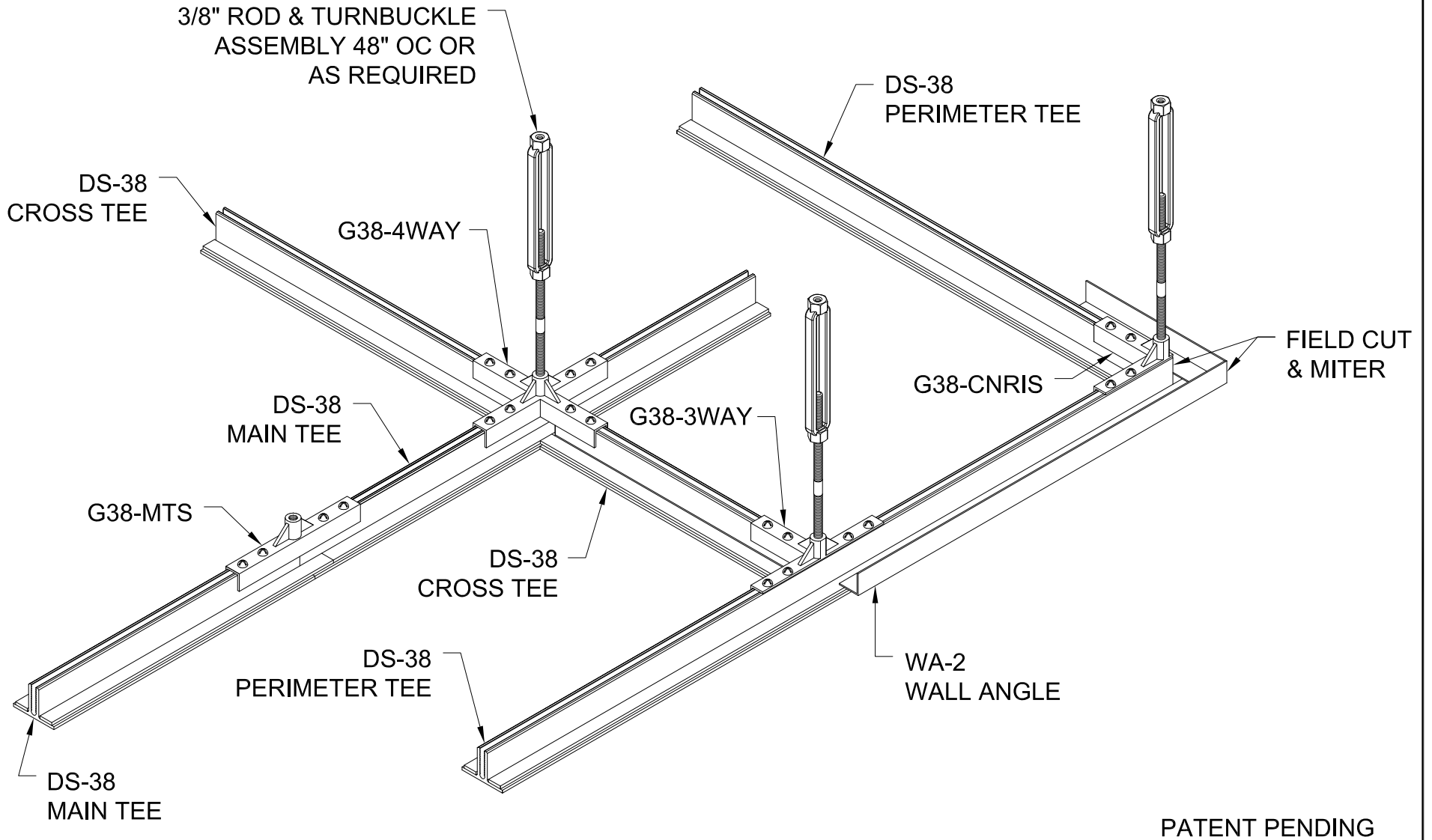


PATENT PENDING

GORDON[®]
ARCHITECTURAL+ENGINEERED SOLUTIONS

5023 Hazel Jones Rd.
Bossier City, LA 71111
800.747.8954
GORDON-INC.COM
sales@gordon-inc.com

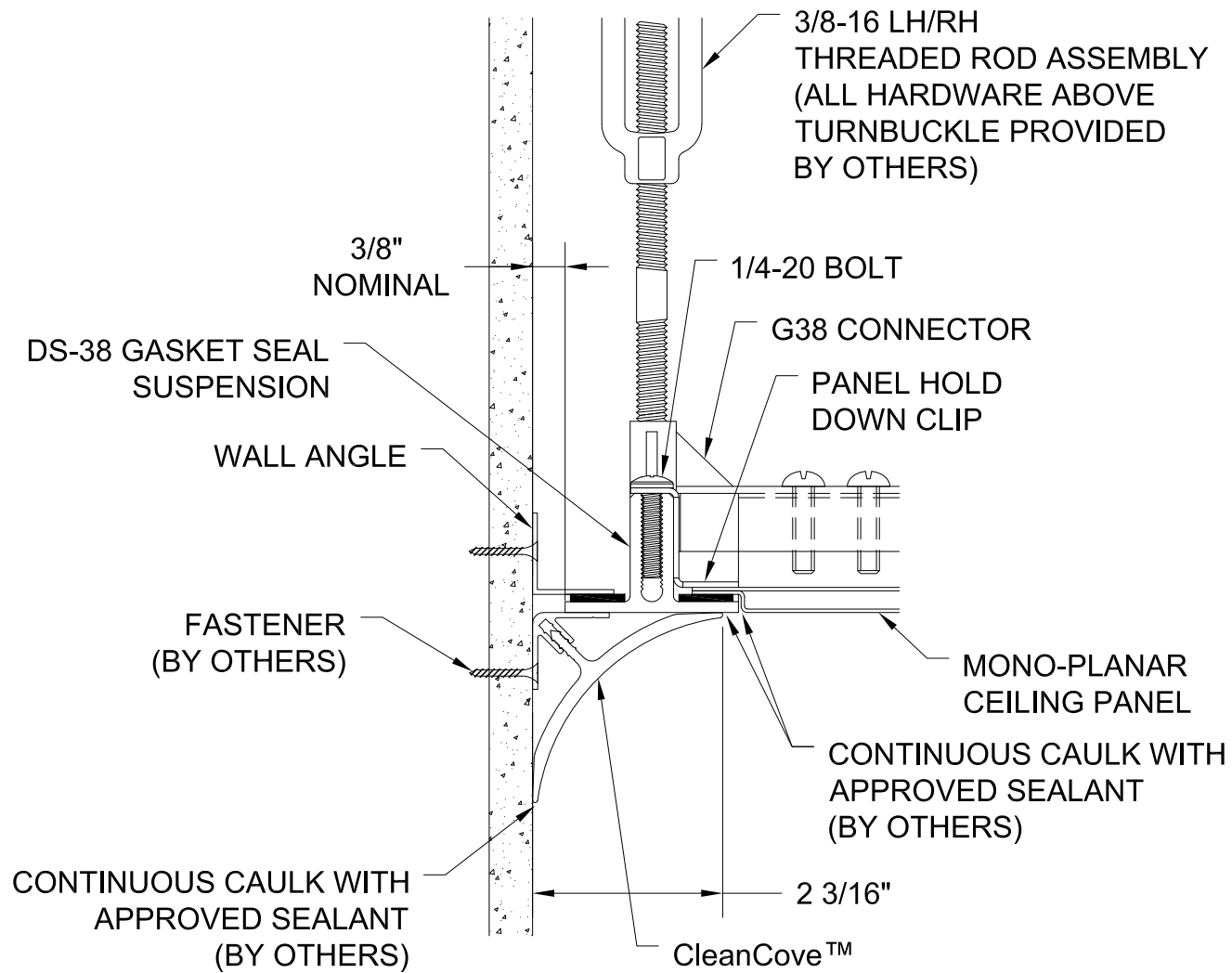
CLEANROOM CEILINGS
DS-38-MP CEILING
GRID ISOMETRIC



GORDON[®]
ARCHITECTURAL+ENGINEERED SOLUTIONS

5023 Hazel Jones Rd.
Bossier City, LA 71111
800.747.8954
GORDON-INC.COM
sales@gordon-inc.com

CLEANROOM CEILINGS
DS-38-MP CEILING
FLOATING PERIMETER GRID ISOMETRIC

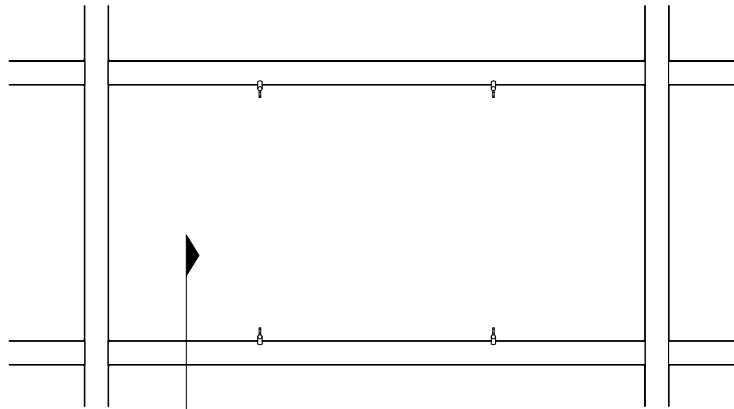


PATENT PENDING

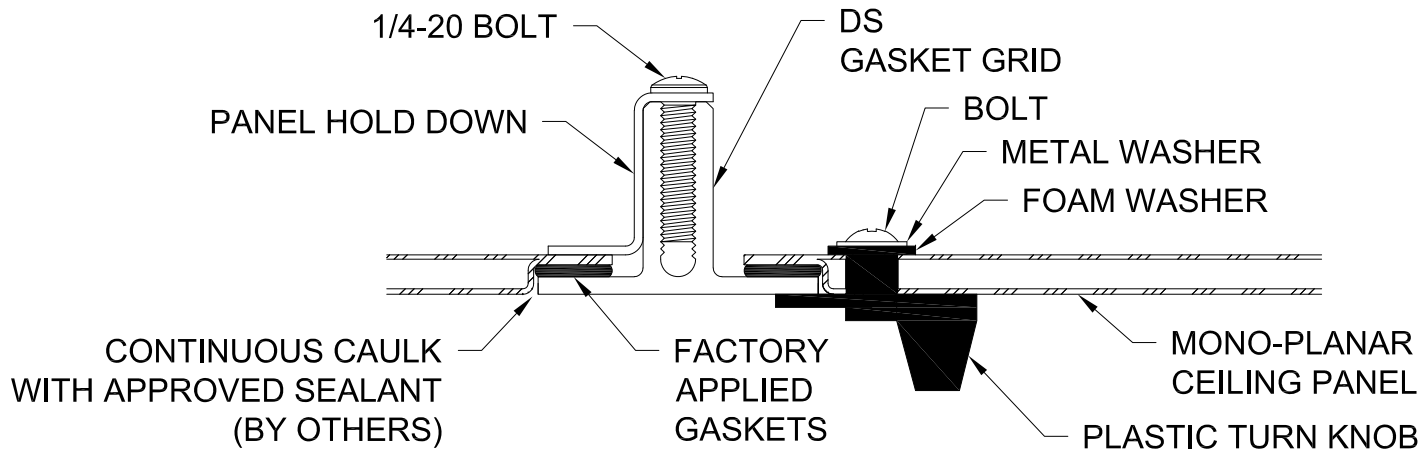
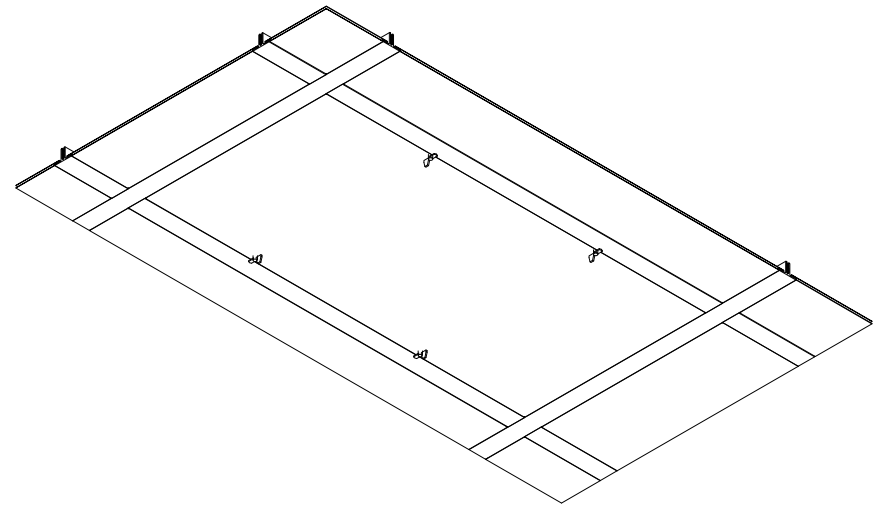
GORDON®
ARCHITECTURAL+ENGINEERED SOLUTIONS

5023 Hazel Jones Rd.
Bossier City, LA 71111
800.747.8954
GORDON-INC.COM
sales@gordon-inc.com

**CLEANROOM CEILINGS
DS-38-MP CEILING
FLOATING PERIMETER SECTION**



A
1



A

SECTION

SCALE: NOT TO SCALE

PATENT PENDING

GORDON[®]
ARCHITECTURAL+ENGINEERED SOLUTIONS

5023 Hazel Jones Rd.
Bossier City, LA 71111
800.747.8954
GORDON-INC.COM
sales@gordon-inc.com

**CLEANROOM CEILINGS
DS-38-MP CEILING
ACCESS PANEL DETAIL**