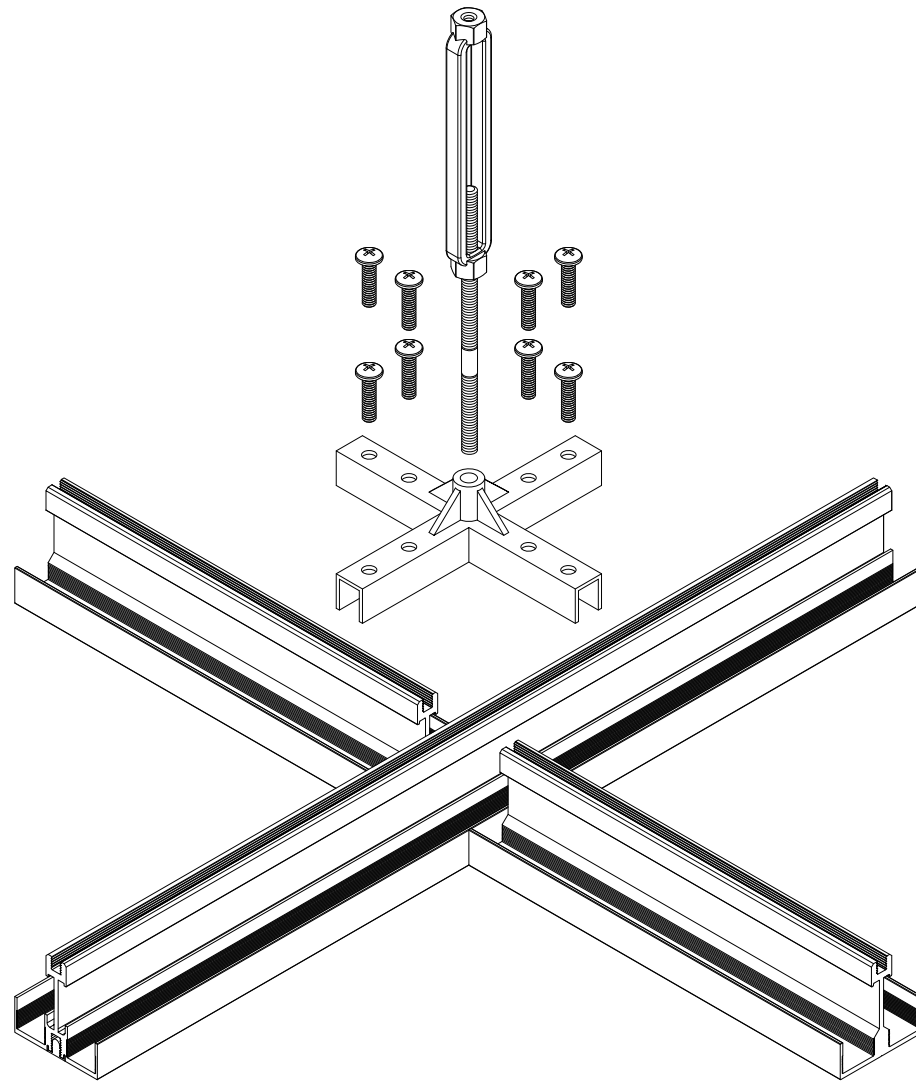


GORDON[®]
ARCHITECTURAL+ENGINEERED SOLUTIONS

5023 Hazel Jones Rd.
Bossier City, LA 71111
800.747.8954
GORDON-INC.COM
sales@gordon-inc.com

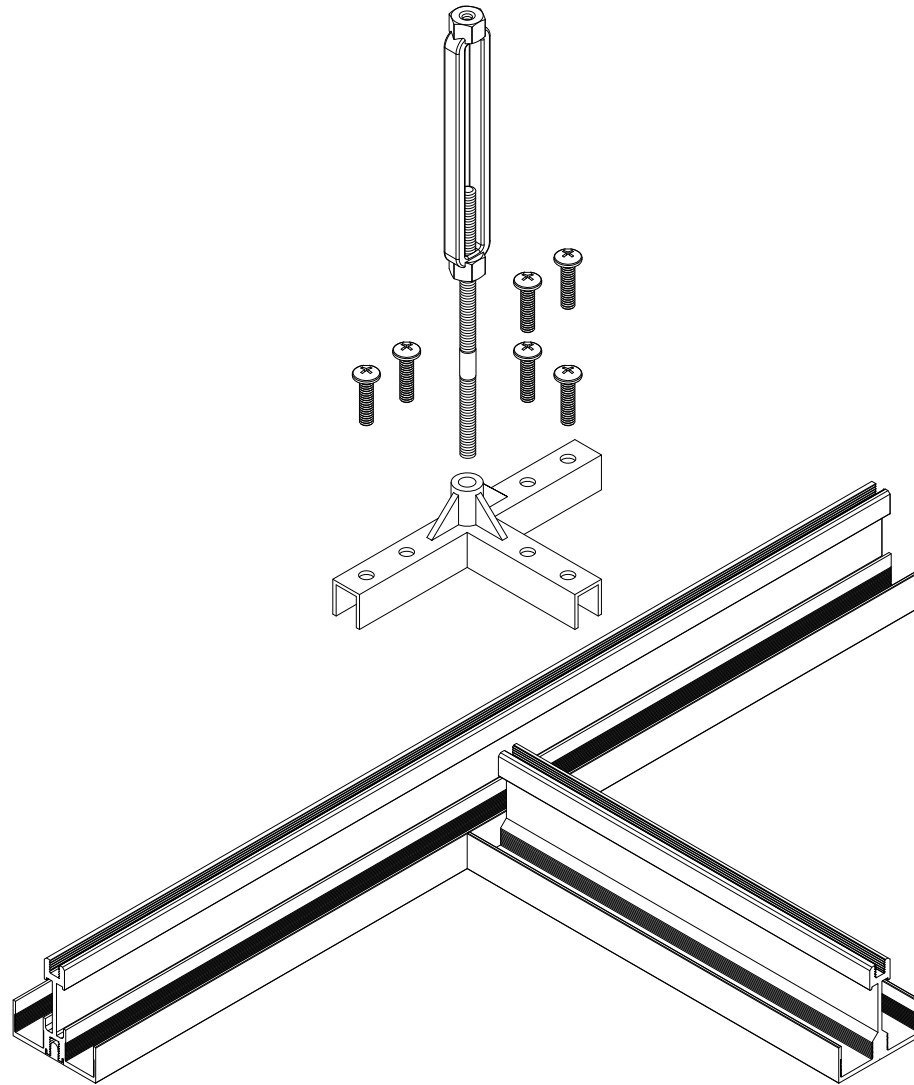
CLEANROOM CEILINGS
SUSPENSION - GEL SEAL - WS-38-SS
GRID ISOMETRIC



GORDON®
ARCHITECTURAL+ENGINEERED SOLUTIONS

5023 Hazel Jones Rd.
Bossier City, LA 71111
800.747.8954
GORDON-INC.COM
sales@gordon-inc.com

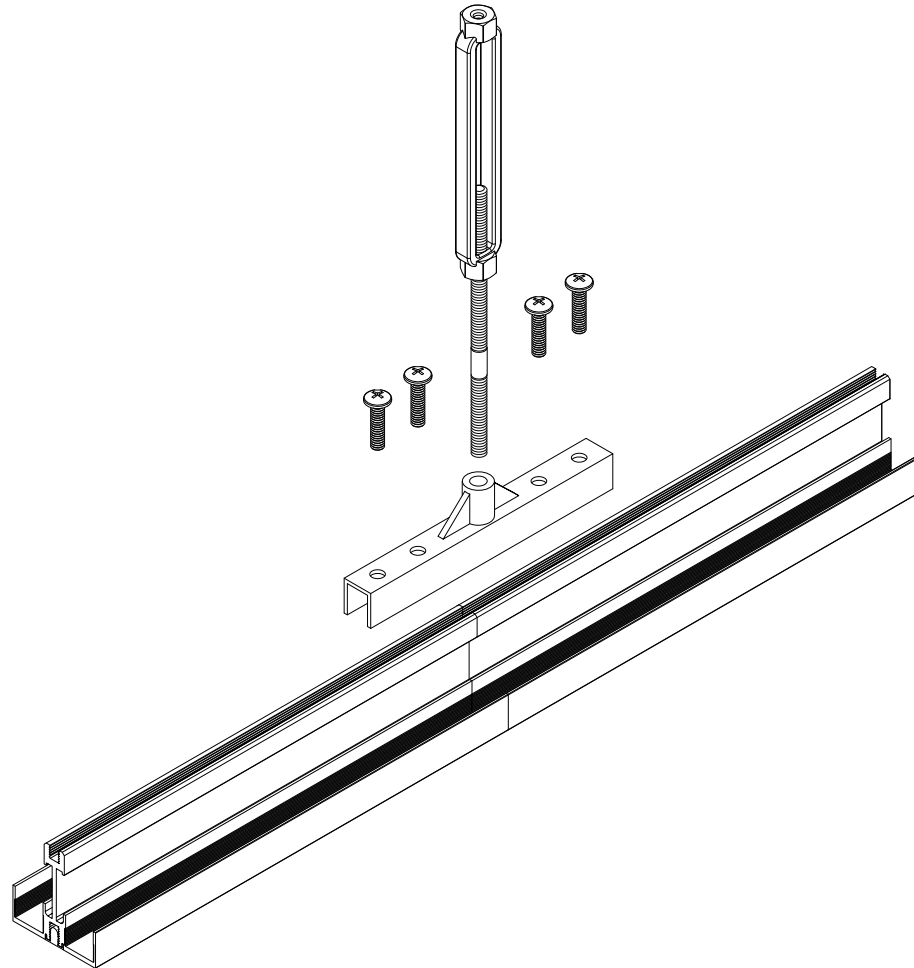
CLEANROOM CEILINGS
SUSPENSION - GEL SEAL - WS-38-SS
4-WAY CONNECTOR



GORDON®
ARCHITECTURAL+ENGINEERED SOLUTIONS

5023 Hazel Jones Rd.
Bossier City, LA 71111
800.747.8954
GORDON-INC.COM
sales@gordon-inc.com

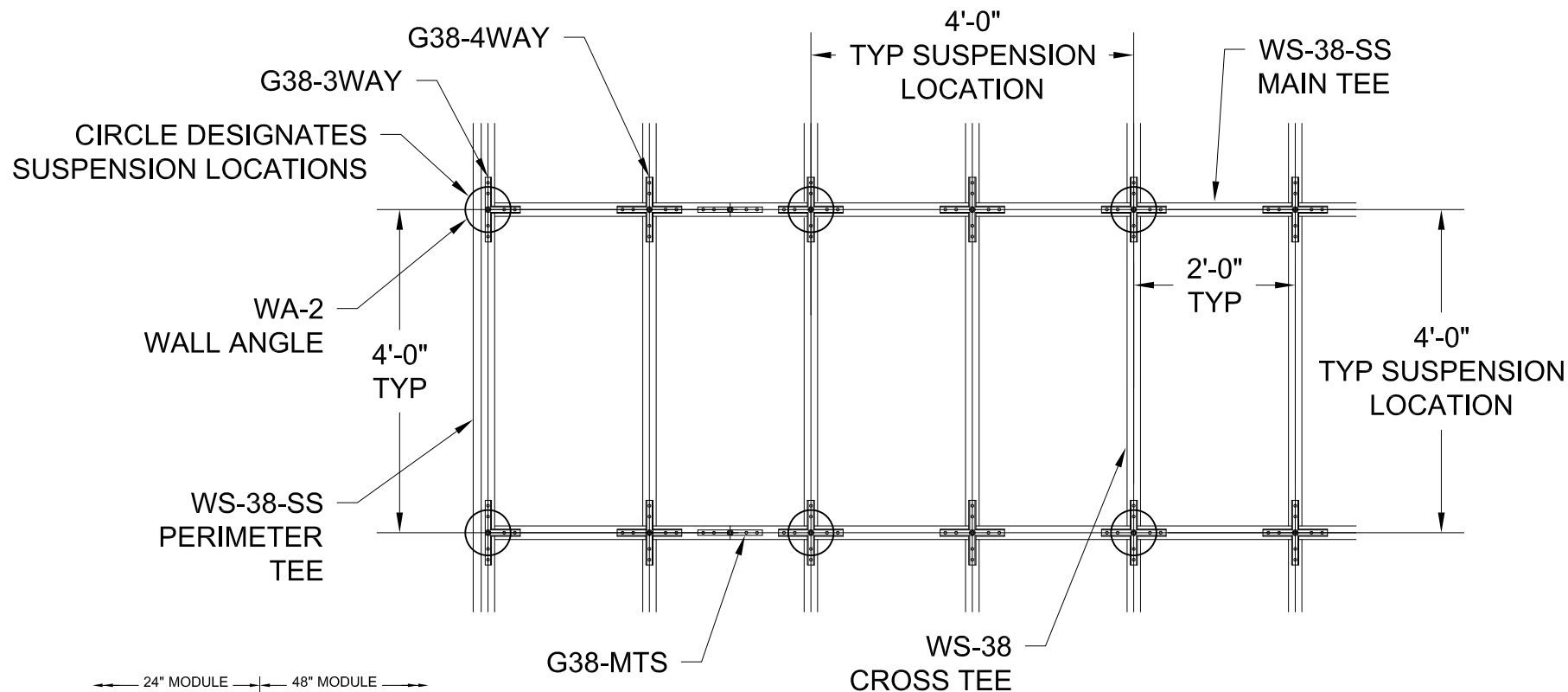
CLEANROOM CEILINGS
SUSPENSION - GEL SEAL - WS-38-SS
3-WAY CONNECTOR



GORDON®
ARCHITECTURAL+ENGINEERED SOLUTIONS

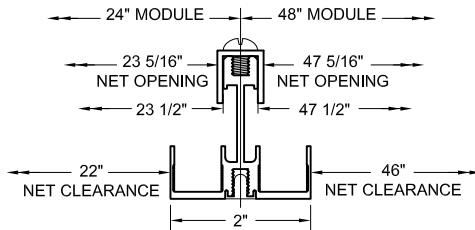
5023 Hazel Jones Rd.
Bossier City, LA 71111
800.747.8954
GORDON-INC.COM
sales@gordon-inc.com

CLEANROOM CEILINGS
SUSPENSION - GEL SEAL - WS-38-SS
MTS CONNECTOR



TYPICAL GRID PLAN

CONTACT GORDON CLEANROOM PRODUCTS DIVISION
FOR INFORMATION ON PANEL OPTIONS SIZED TO FIT THIS GRID MODULE



WS-38-SS MAIN TEE
MODULE SIZING (NOT TO SCALE)
FILTERS/FIXTURES DIMENSIONS
ARE TYPICALLY MODULE SIZE LESS 7/8" (MAXIMUM O.D.)



5023 Hazel Jones Rd.
Bossier City, LA 71111
800.747.8954
GORDON-INC.COM
sales@gordon-inc.com

CLEANROOM CEILINGS
SUSPENSION - GEL SEAL - WS-38-SS
24" / 48" GRID PLAN

1/4-20 EYE BOLTS
(4 PER INTERSECTION)

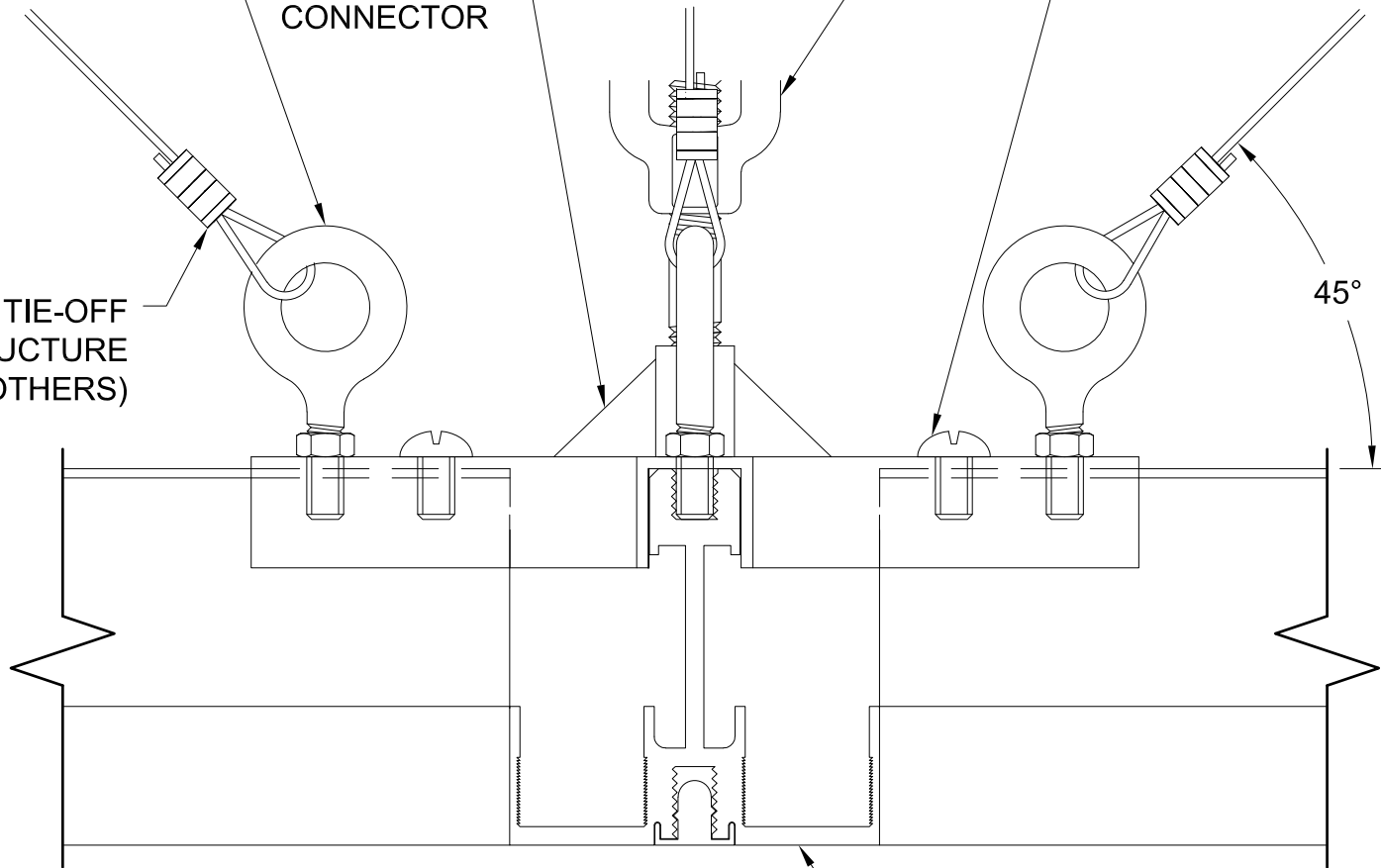
G38-4 WAY
CONNECTOR

3/8-16 LH/RH THREADED
ROD ASSEMBLY INSTALLED
48" ON CENTER

1/4-20 BOLTS
(4 PER INTERSECTION)

CABLE TIE-OFF
TO STRUCTURE
(BY OTHERS)

45°

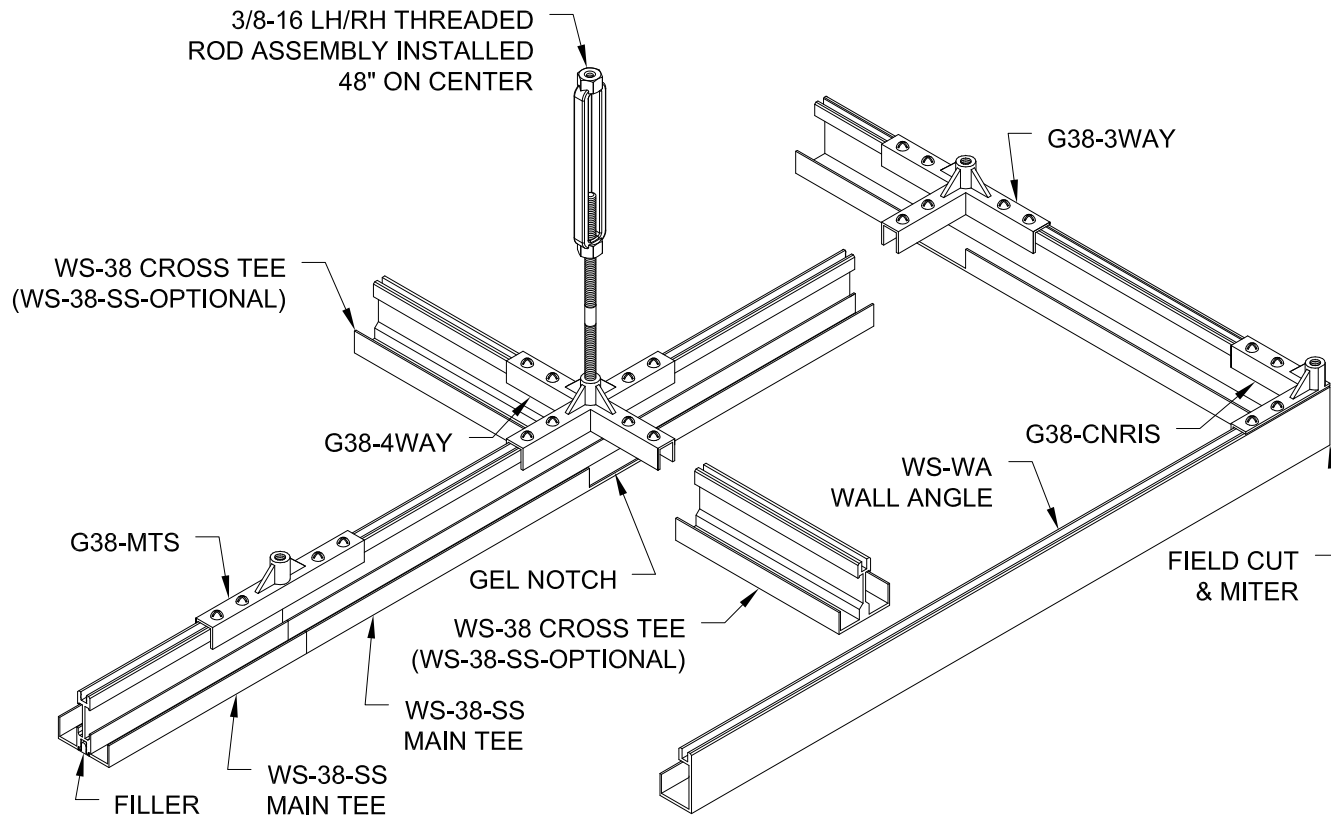


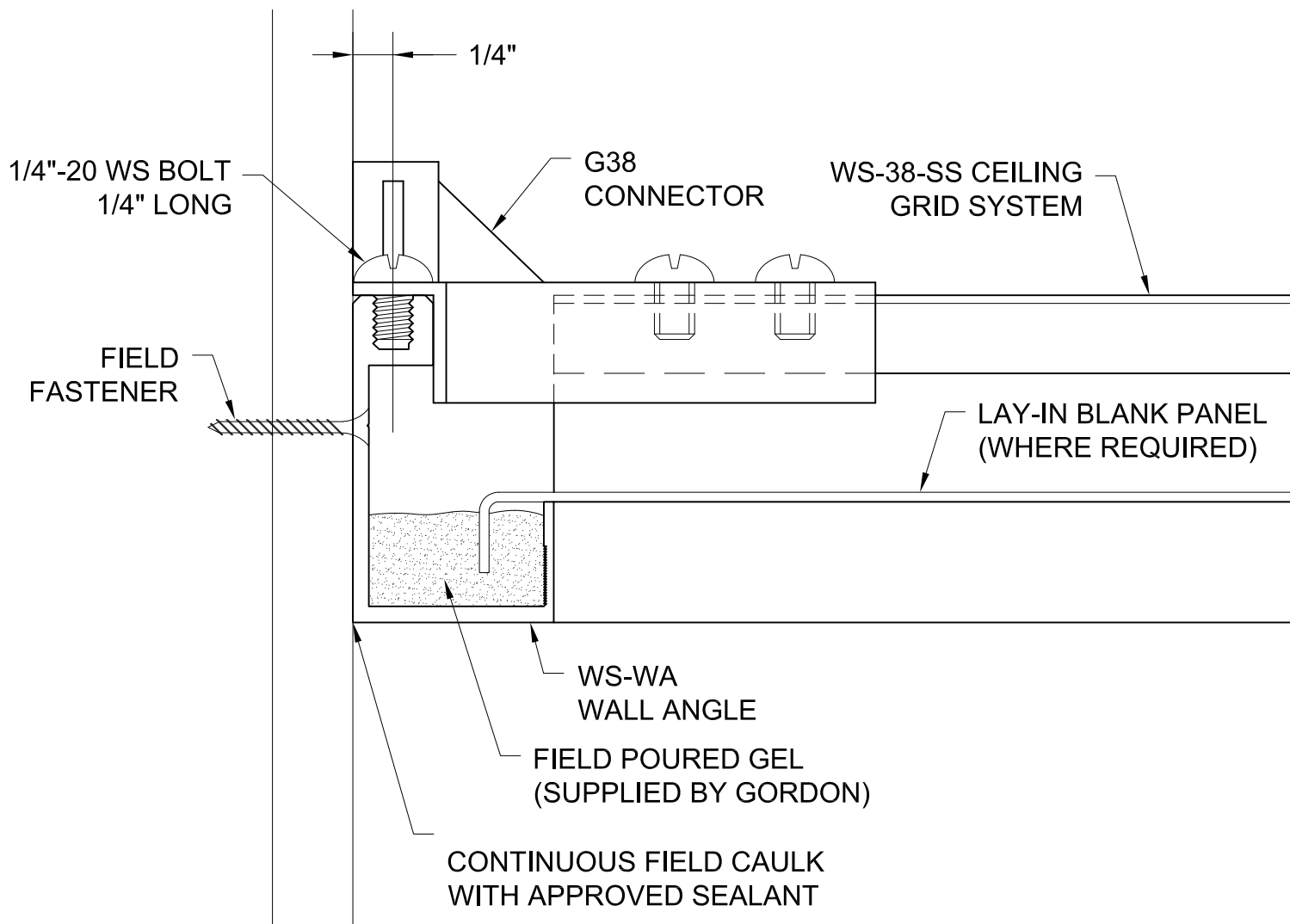
WS-38-SS GRID SYSTEM

GORDON®
ARCHITECTURAL+ENGINEERED SOLUTIONS

5023 Hazel Jones Rd.
Bossier City, LA 71111
800.747.8954
GORDON-INC.COM
sales@gordon-inc.com

**CLEANROOM CEILINGS
SUSPENSION - GEL SEAL - WS-38-SS
SEISMIC DETAIL**

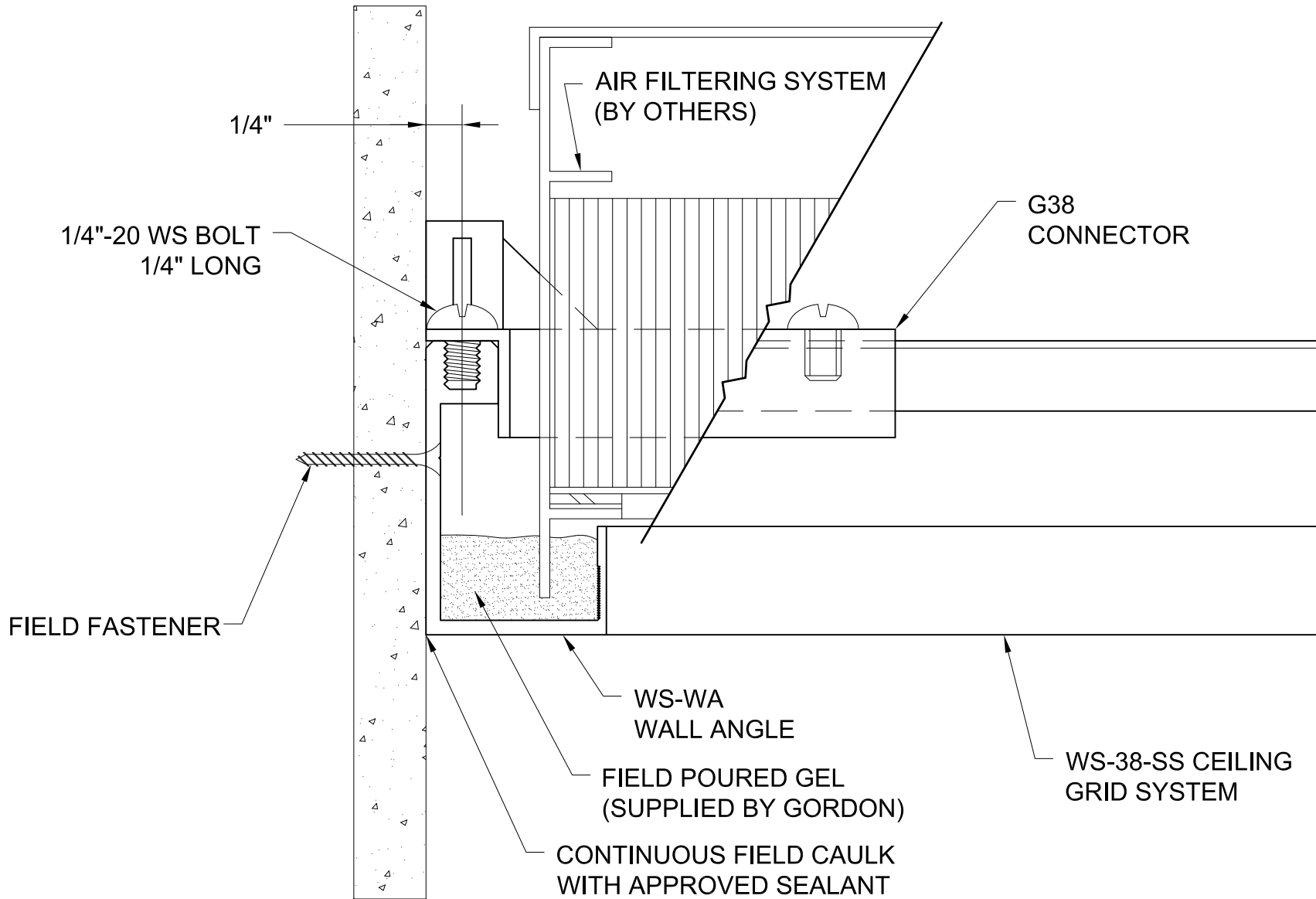




GORDON[®]
ARCHITECTURAL+ENGINEERED SOLUTIONS

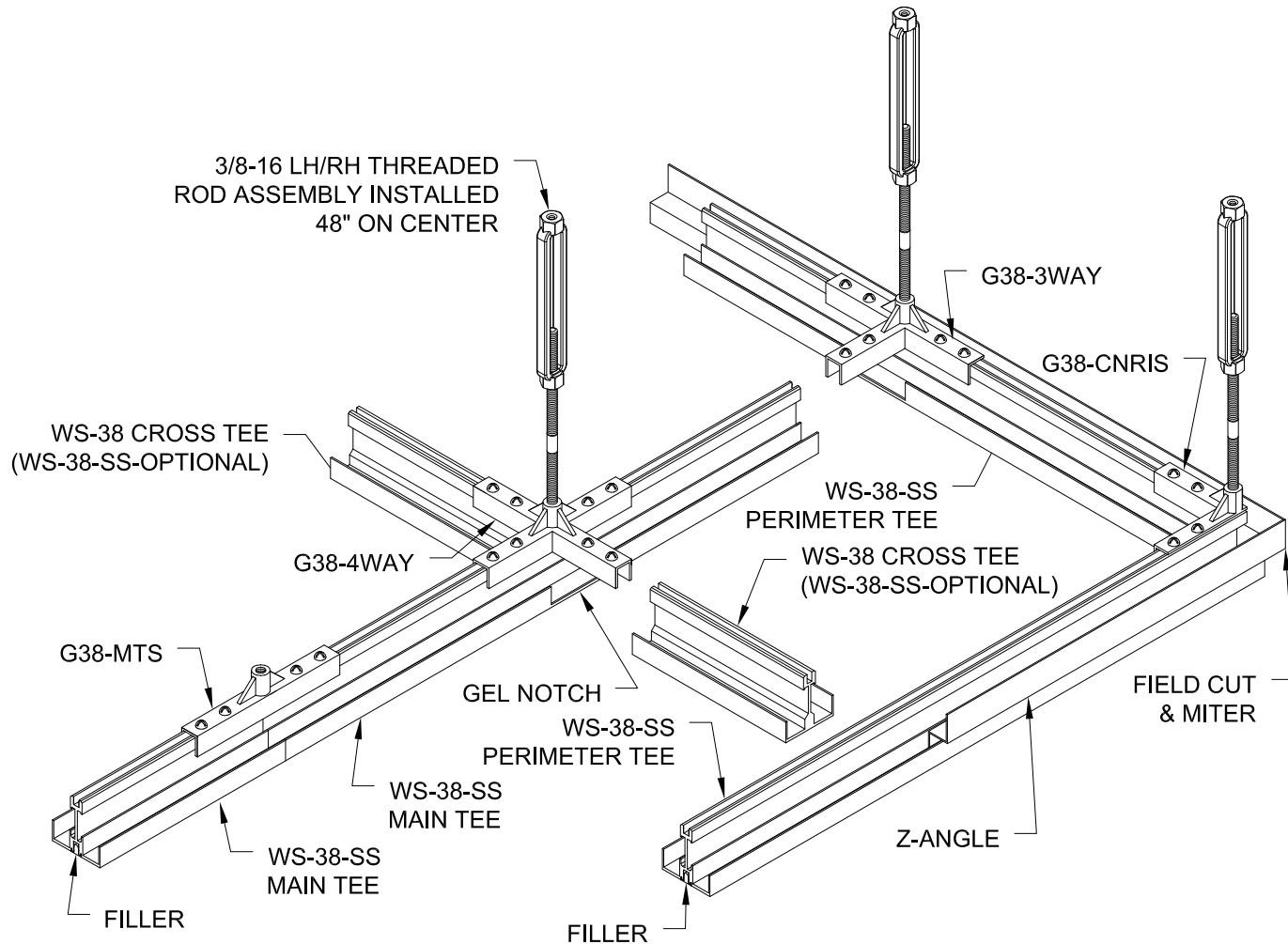
5023 Hazel Jones Rd.
Bossier City, LA 71111
800.747.8954
GORDON-INC.COM
sales@gordon-inc.com

CLEANROOM CEILINGS
SUSPENSION - GEL SEAL - WS-38-SS
FIXED PERIMETER WITH BLANK PANEL



GORDON® ARCHITECTURAL+ENGINEERED SOLUTIONS
 5023 Hazel Jones Rd.
 Bossier City, LA 71111
 800.747.8954
 GORDON-INC.COM
 sales@gordon-inc.com

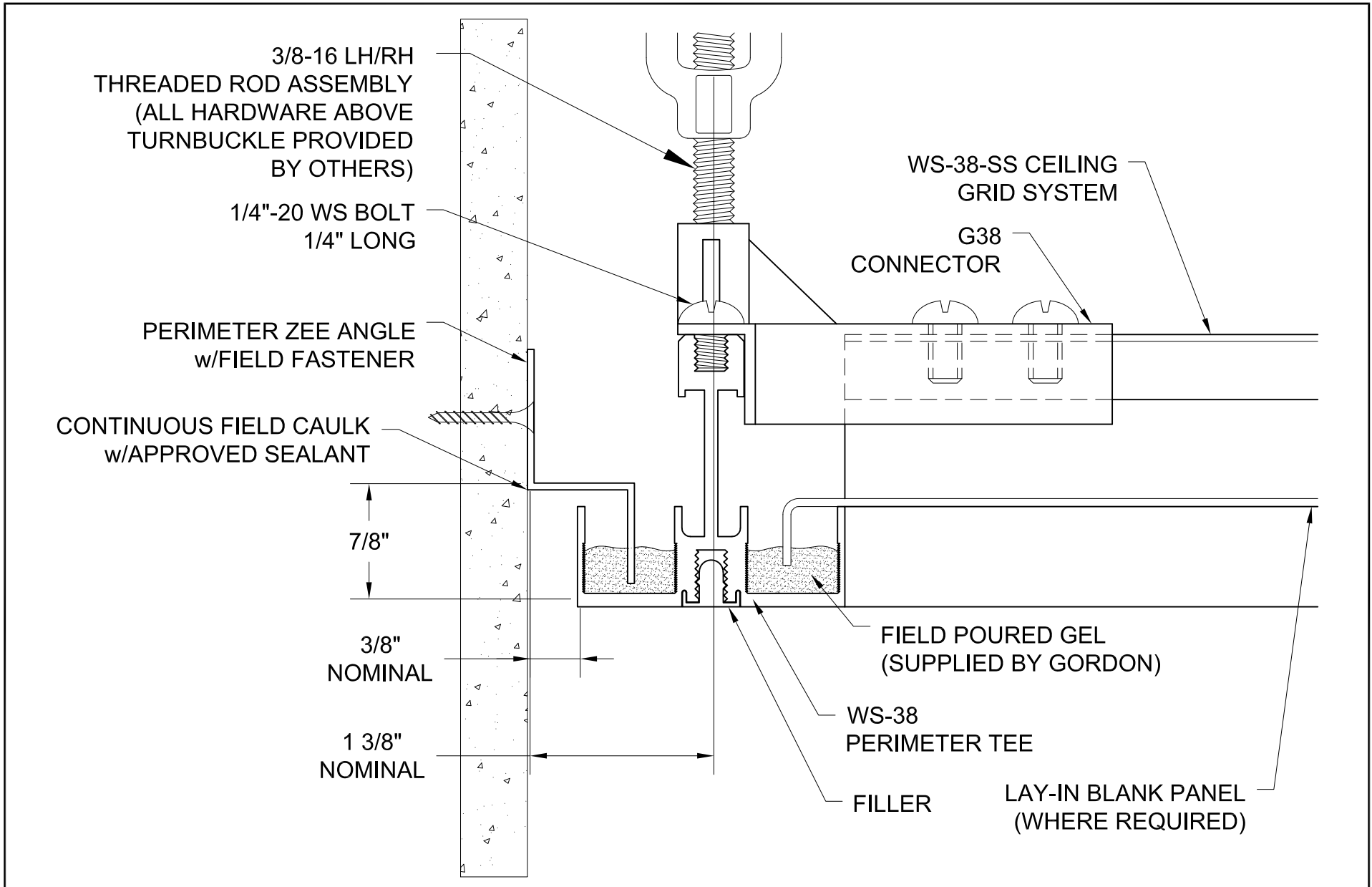
**CLEANROOM CEILINGS
 SUSPENSION - GEL SEAL - WS-38-SS
 FIXED PERIMETER WITH FILTER**



GORDON®
ARCHITECTURAL+ENGINEERED SOLUTIONS

5023 Hazel Jones Rd.
Bossier City, LA 71111
800.747.8954
GORDON-INC.COM
sales@gordon-inc.com

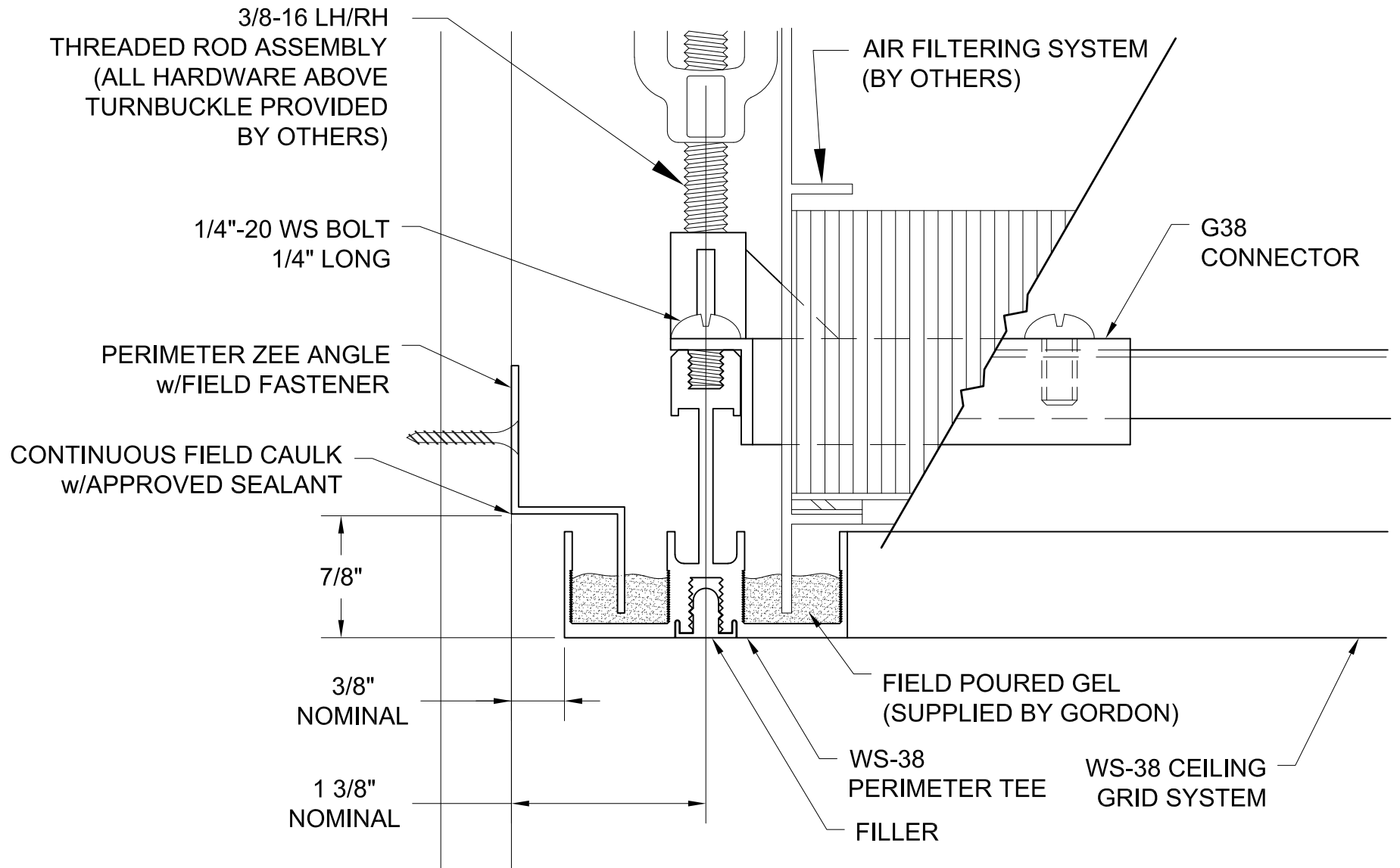
**CLEANROOM CEILINGS
SUSPENSION - GEL SEAL - WS-38-SS
FLOATING PERIMETER ISOMETRIC**



GORDON®
ARCHITECTURAL+ENGINEERED SOLUTIONS

5023 Hazel Jones Rd.
Bossier City, LA 71111
800.747.8954
GORDON-INC.COM
sales@gordon-inc.com

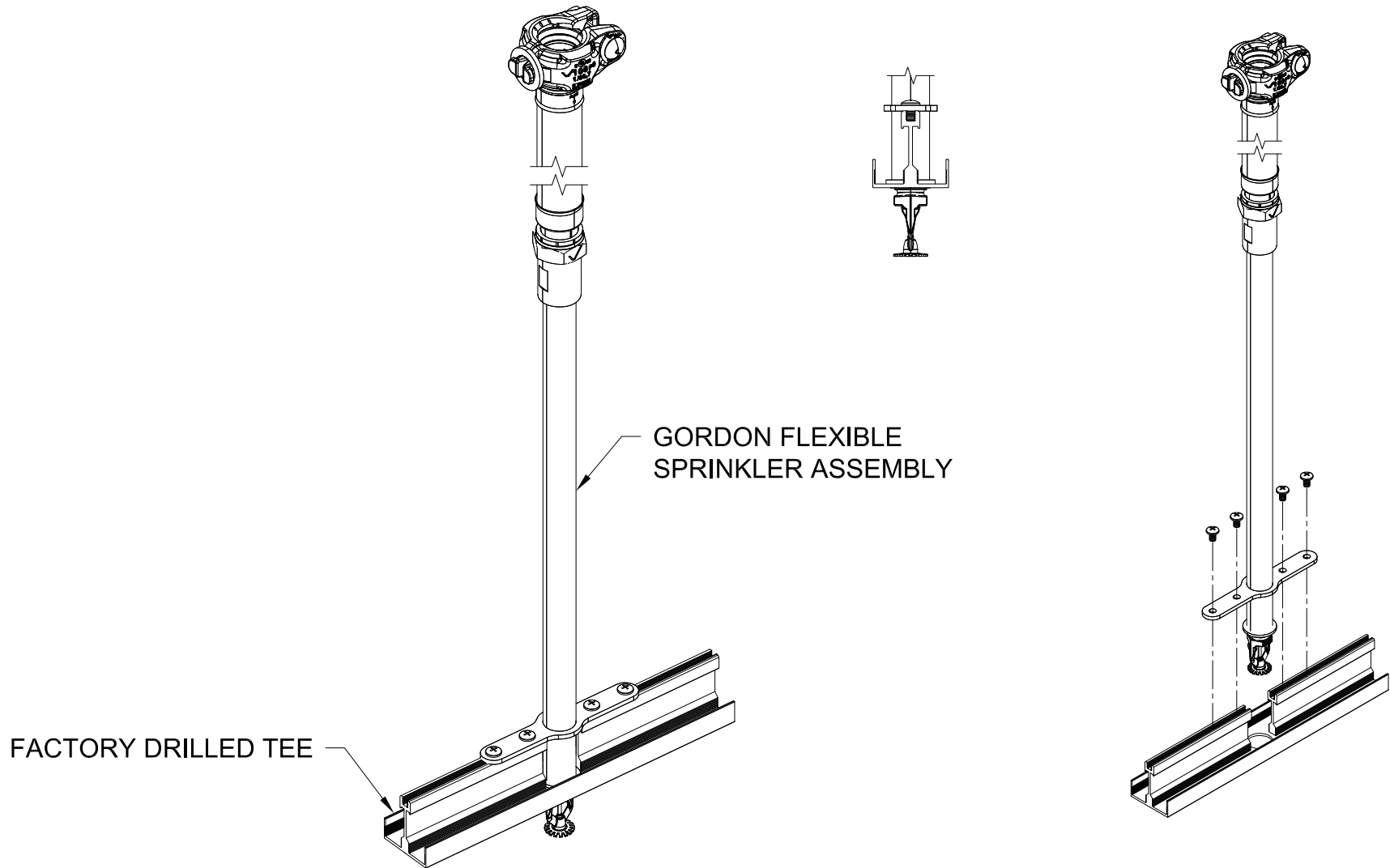
**CLEANROOM CEILINGS
SUSPENSION - GEL SEAL - WS-38-SS
FLOATING PERIMETER WITH BLANK PANEL**



GORDON®
ARCHITECTURAL+ENGINEERED SOLUTIONS

5023 Hazel Jones Rd.
Bossier City, LA 71111
800.747.8954
GORDON-INC.COM
sales@gordon-inc.com

**CLEANROOM CEILINGS
SUSPENSION - GEL SEAL - WS-38-SS
FLOATING PERIMETER WITH FILTER**



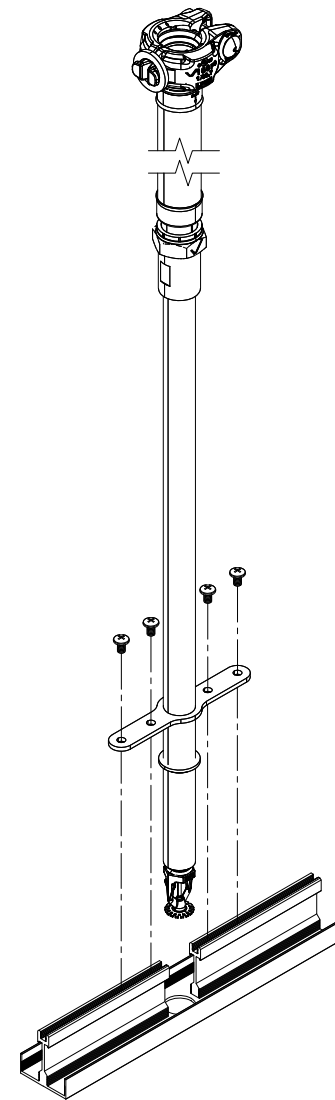
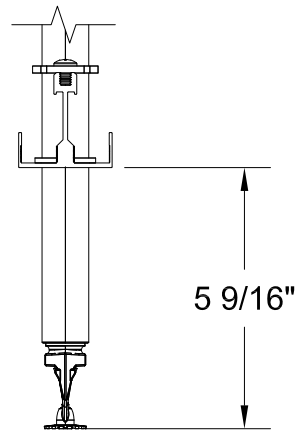
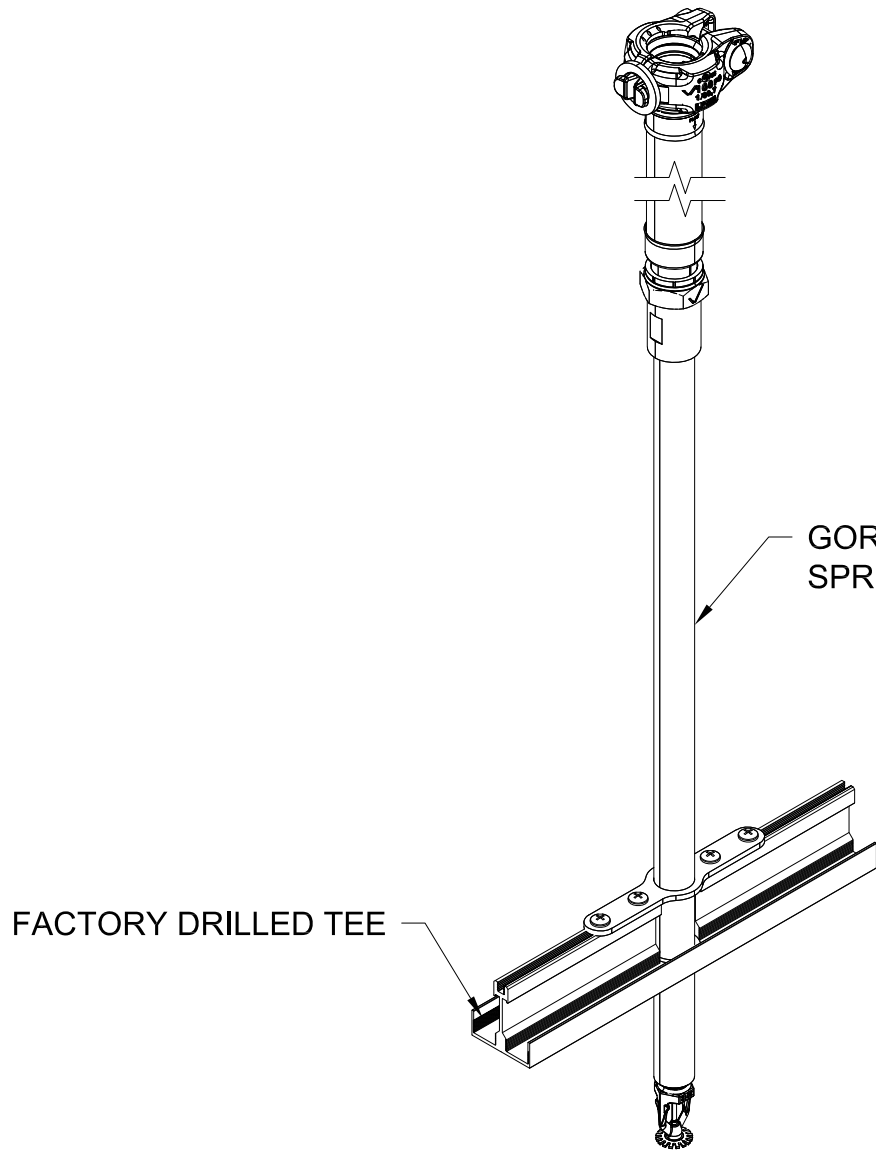
FACTORY DRILLED TEE

GORDON FLEXIBLE
SPRINKLER ASSEMBLY

GORDON®
ARCHITECTURAL+ENGINEERED SOLUTIONS

5023 Hazel Jones Rd.
Bossier City, LA 71111
800.747.8954
GORDON-INC.COM
sales@gordon-inc.com

CLEANROOM CEILINGS
SUSPENSION-GEL SEAL-WS-38-SS
FLUSH SPRINKLER ASSEMBLY



GORDON®
ARCHITECTURAL+ENGINEERED SOLUTIONS

5023 Hazel Jones Rd.
Bossier City, LA 71111
800.747.8954
GORDON-INC.COM
sales@gordon-inc.com

CLEANROOM CEILINGS
SUSPENSION-GEL SEAL-WS-38-SS
EXTENDED SPRINKLER ASSEMBLY