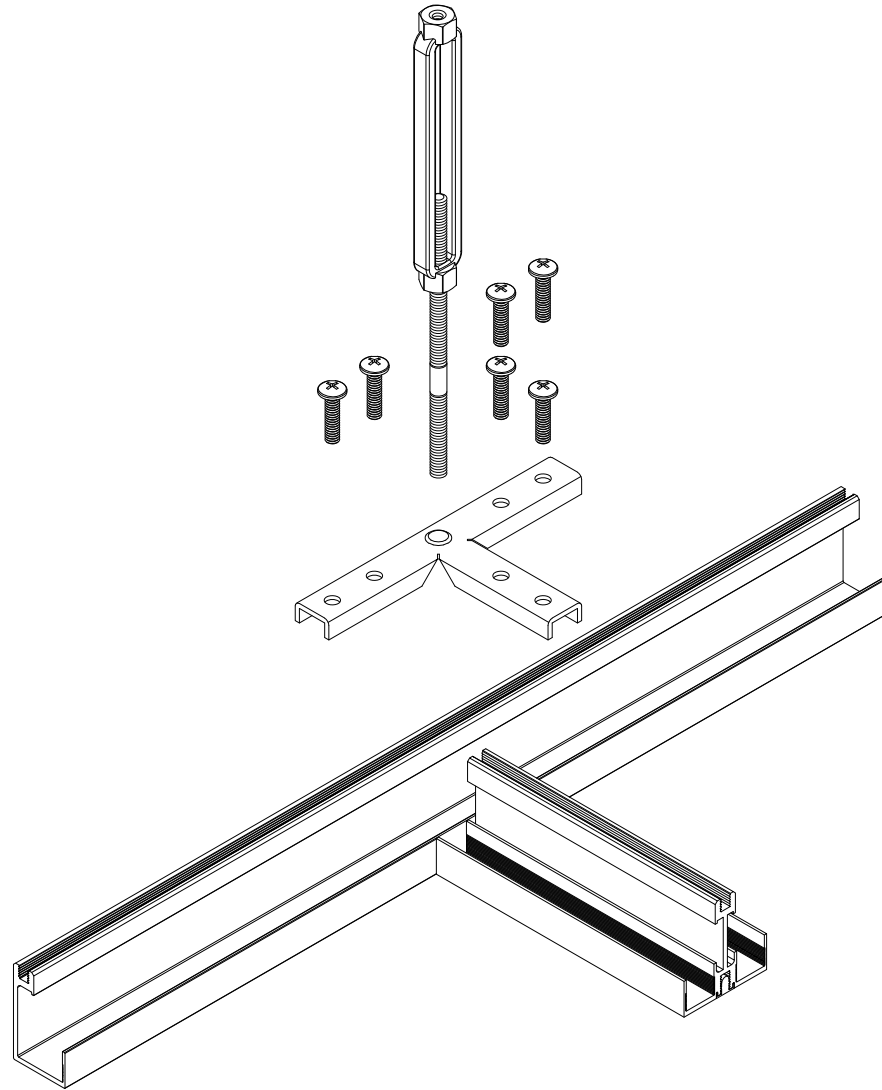


GORDON®
ARCHITECTURAL+ENGINEERED SOLUTIONS

5023 Hazel Jones Rd.
Bossier City, LA 71111
800.747.8954
GORDON-INC.COM
sales@gordon-inc.com

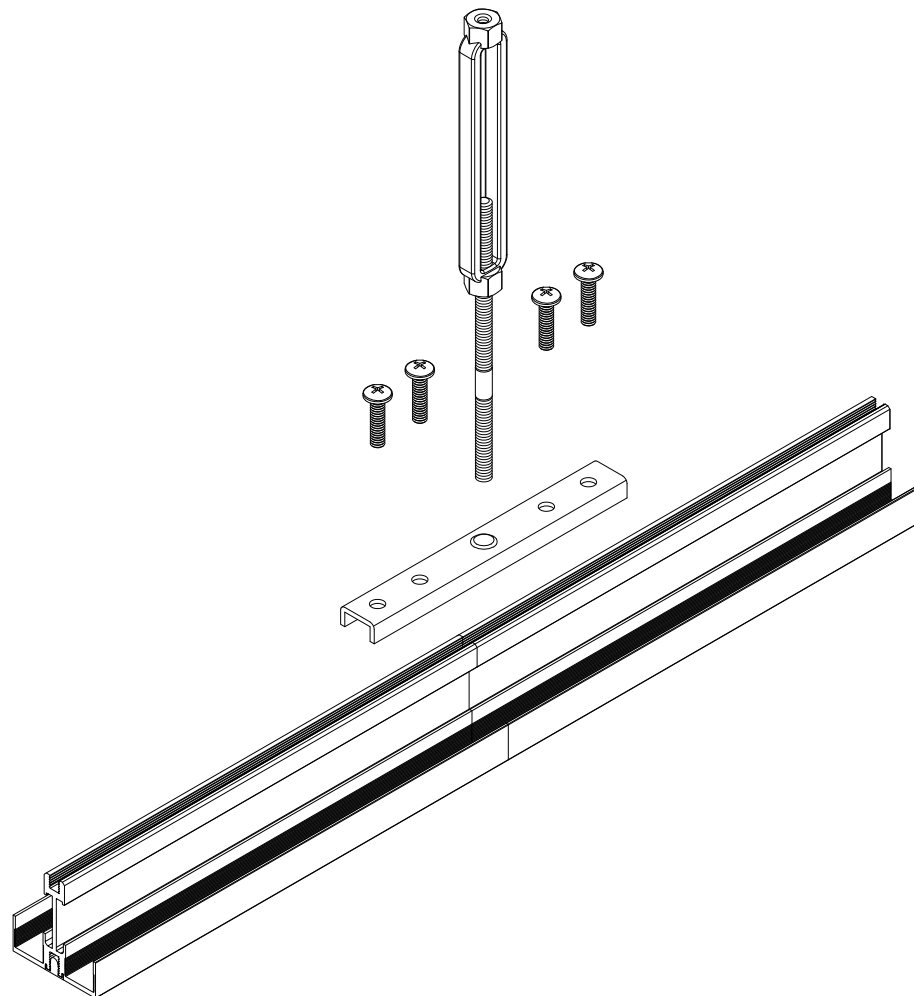
CLEANROOM CEILINGS
SUSPENSION - GEL SEAL - WS-20-SS
4-WAY CONNECTOR



GORDON®
ARCHITECTURAL+ENGINEERED SOLUTIONS

5023 Hazel Jones Rd.
Bossier City, LA 71111
800.747.8954
GORDON-INC.COM
sales@gordon-inc.com

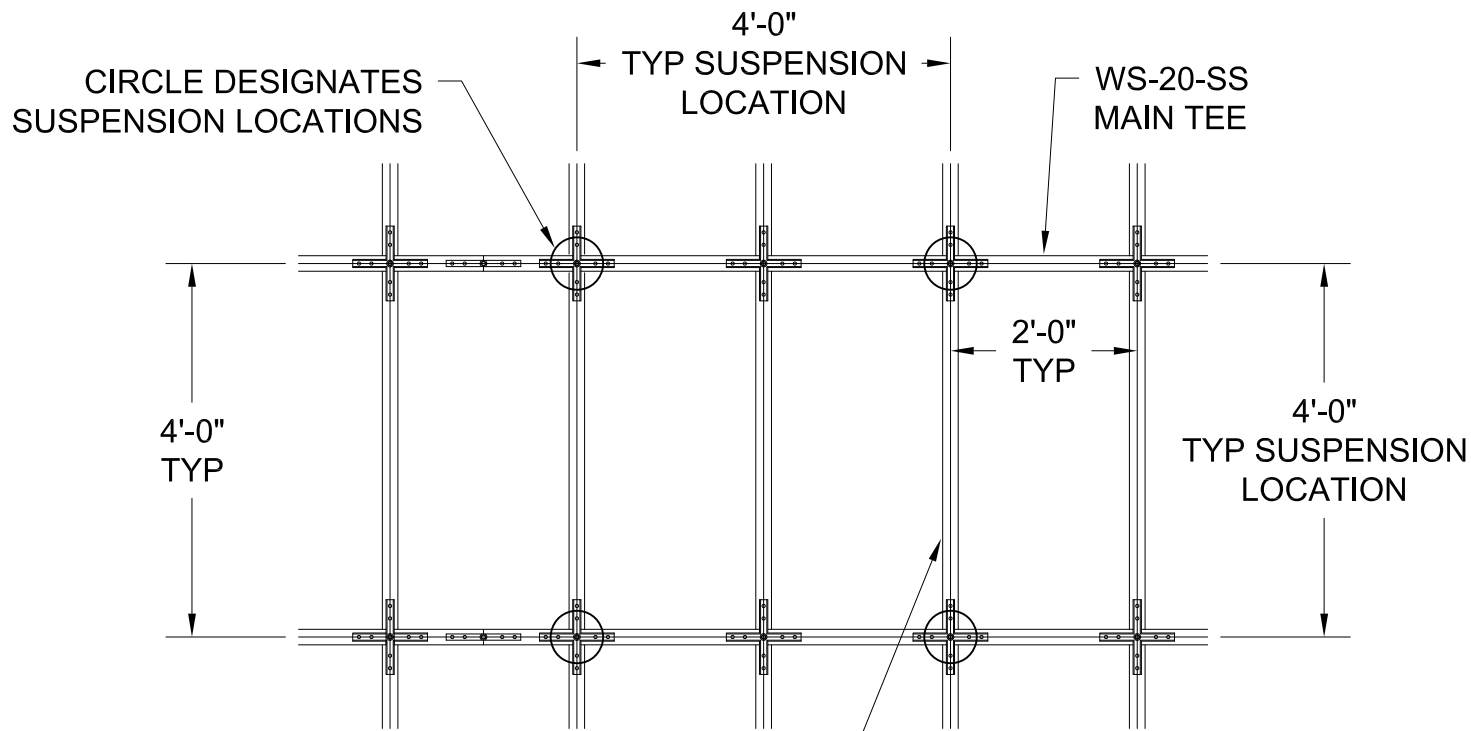
CLEANROOM CEILINGS
SUSPENSION - GEL SEAL - WS-20-SS
3-WAY CONNECTOR



GORDON®
ARCHITECTURAL+ENGINEERED SOLUTIONS

5023 Hazel Jones Rd.
Bossier City, LA 71111
800.747.8954
GORDON-INC.COM
sales@gordon-inc.com

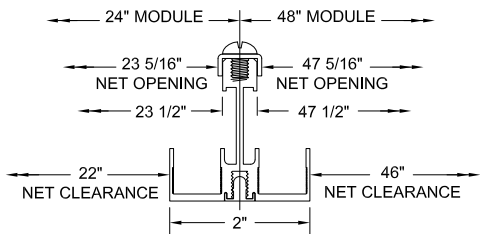
CLEANROOM CEILINGS
SUSPENSION - GEL SEAL - WS-20-SS
MTS CONNECTOR



WS-20 CROSS TEE

TYPICAL GRID PLAN

CONTACT GORDON CLEANROOM PRODUCTS DIVISION FOR INFORMATION ON PANEL OPTIONS SIZED TO FIT THIS GRID MODULE

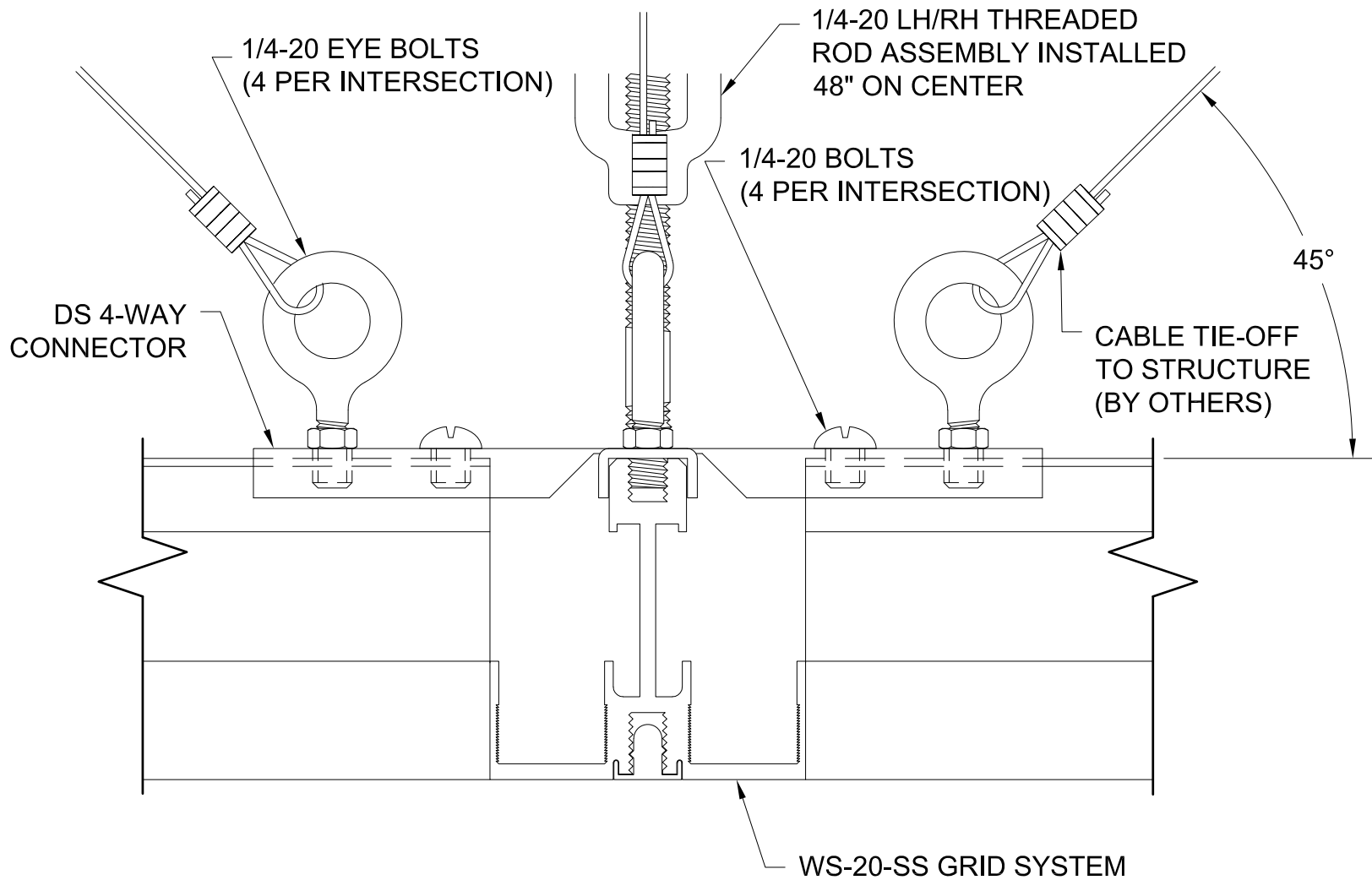


FILTERS/FIXTURES DIMENSIONS ARE TYPICALLY MODULE SIZE LESS 7/8" (MAXIMUM O.D.)

GORDON®
ARCHITECTURAL+ENGINEERED SOLUTIONS

5023 Hazel Jones Rd.
Bossier City, LA 71111
800.747.8954
GORDON-INC.COM
sales@gordon-inc.com

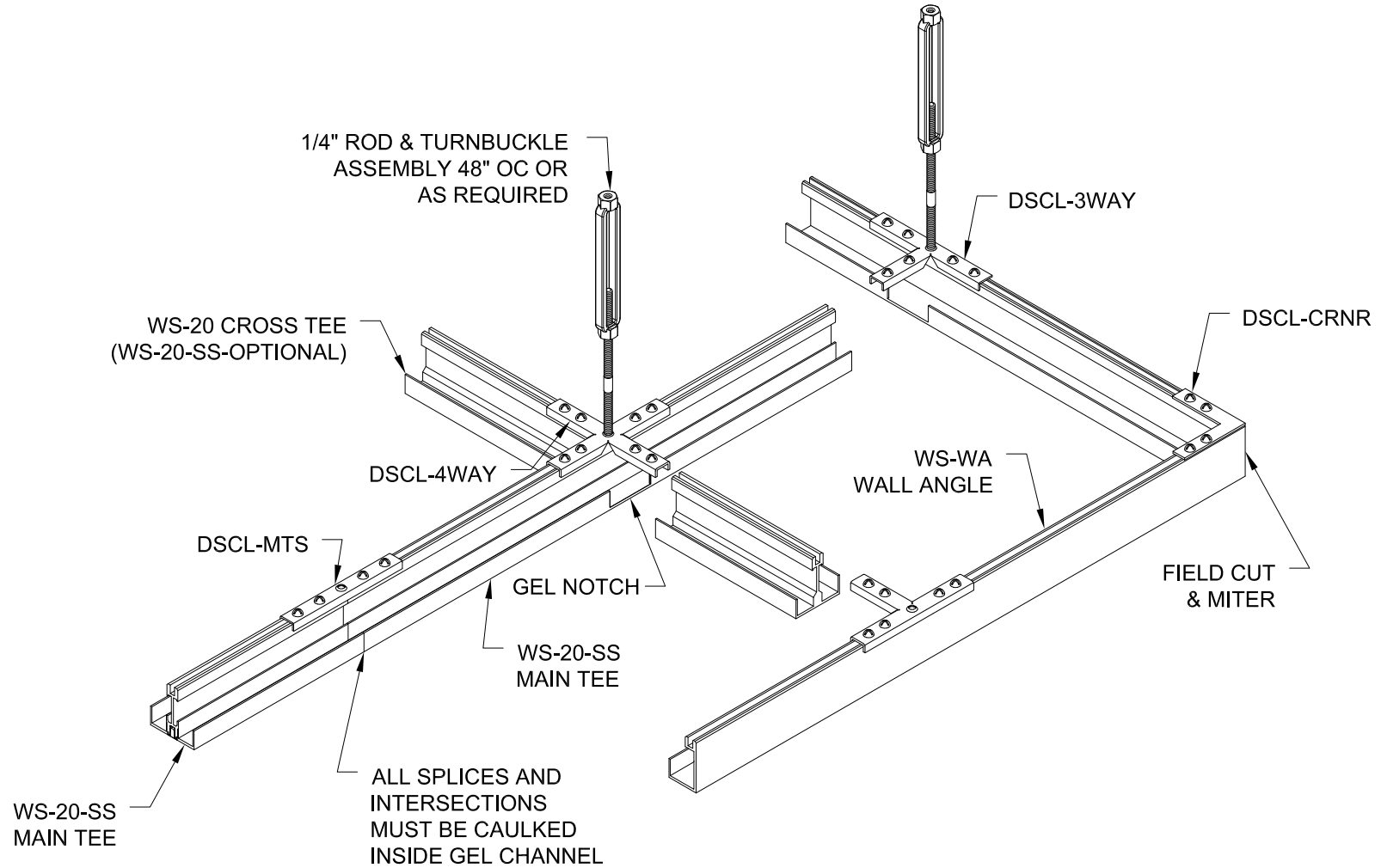
CLEANROOM CEILINGS
SUSPENSION - GEL SEAL - WS-20-SS
24" / 48" GRID PLAN

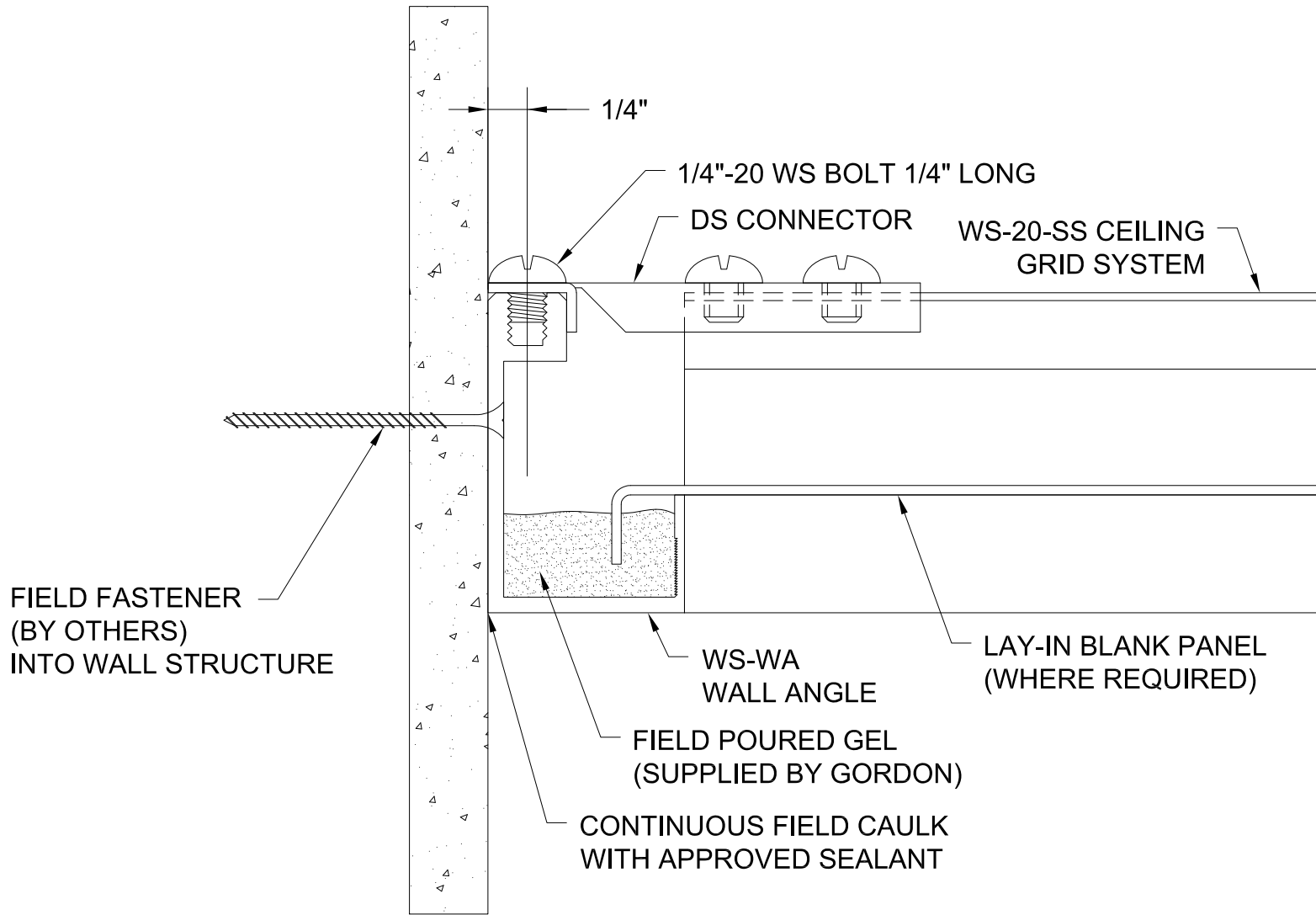


GORDON[®]
ARCHITECTURAL+ENGINEERED SOLUTIONS

5023 Hazel Jones Rd.
Bossier City, LA 71111
800.747.8954
GORDON-INC.COM
sales@gordon-inc.com

**CLEANROOM CEILINGS
SUSPENSION - GEL SEAL - WS-20-SS
SEISMIC DETAIL**

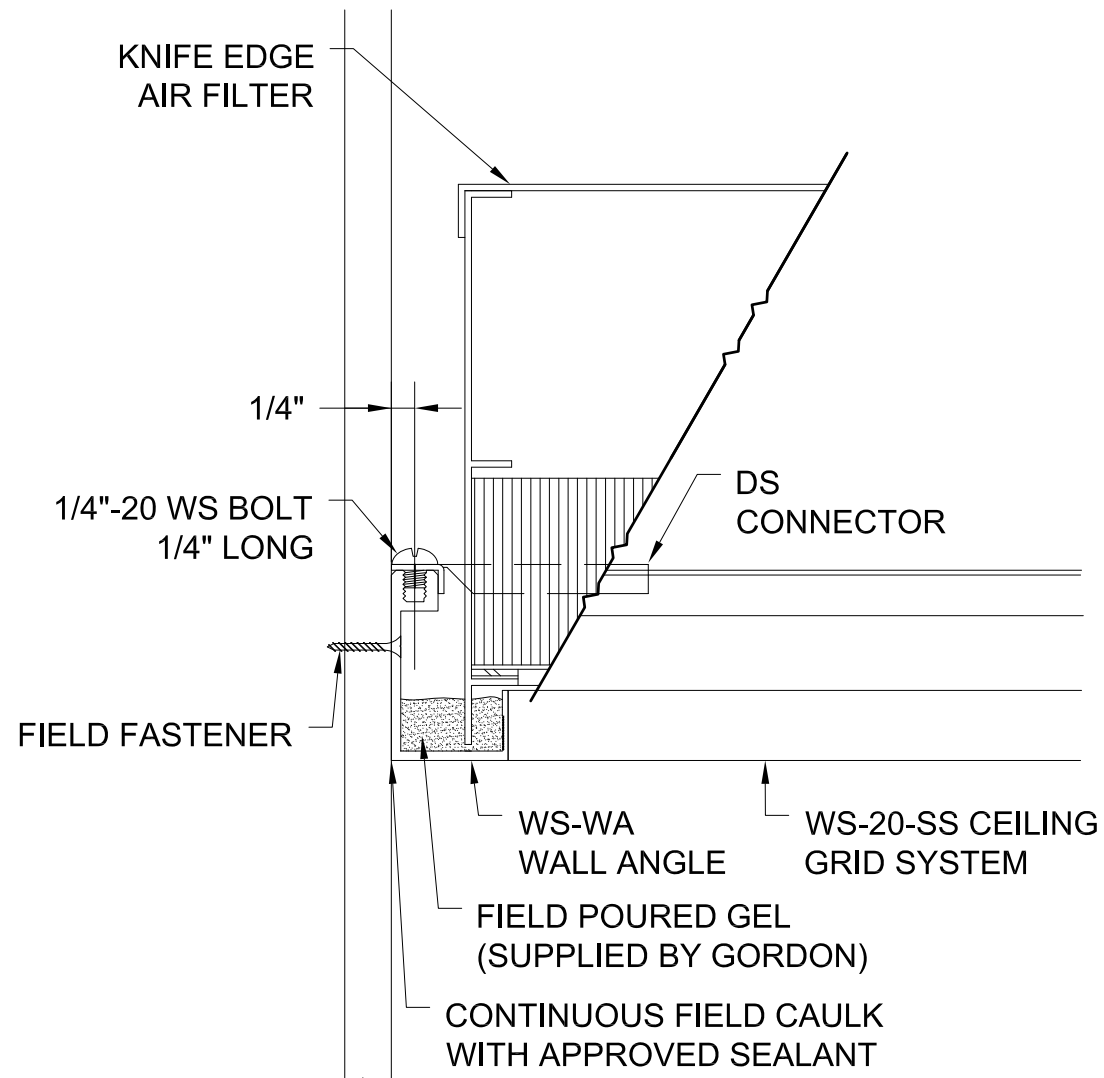


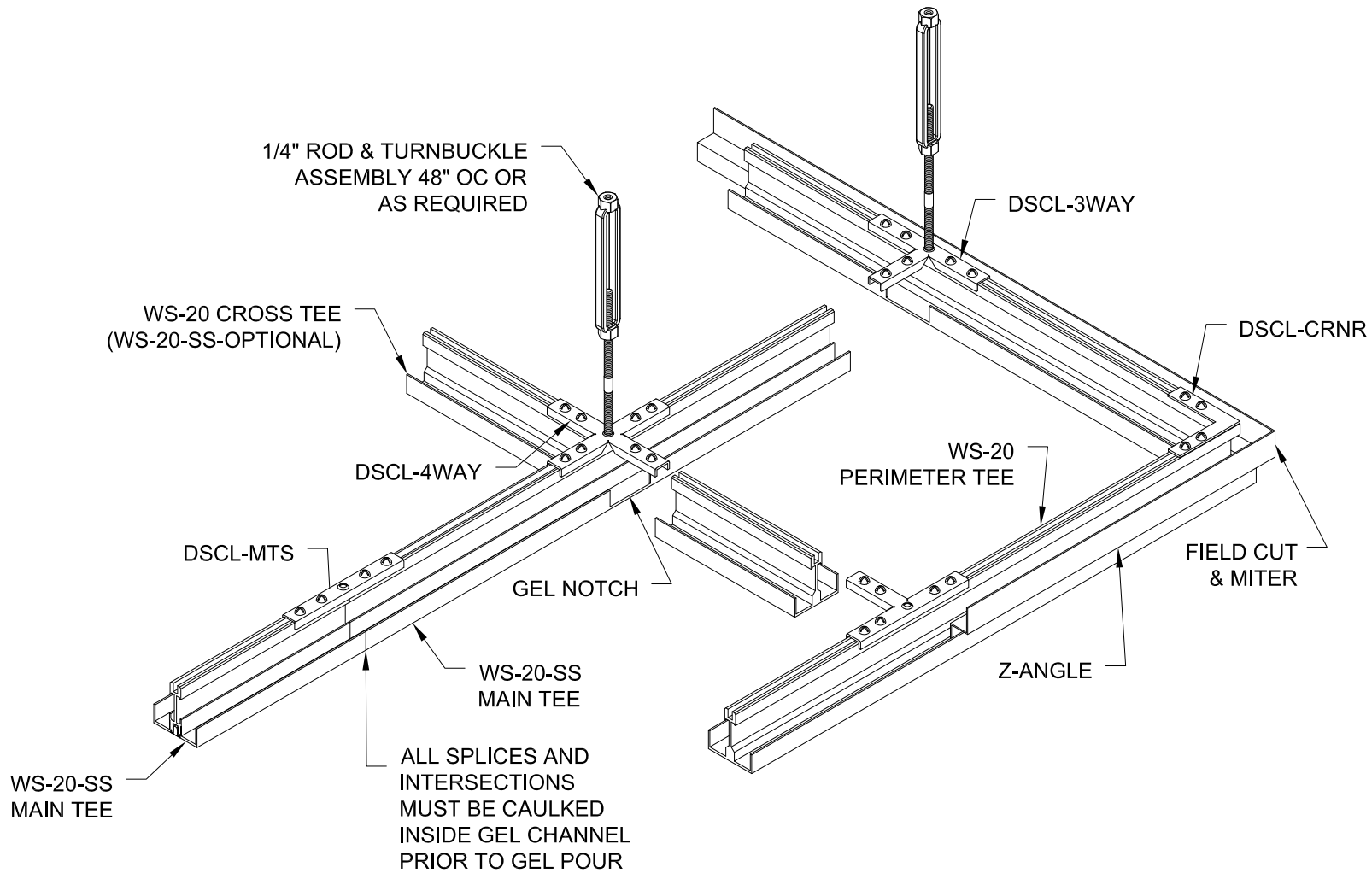


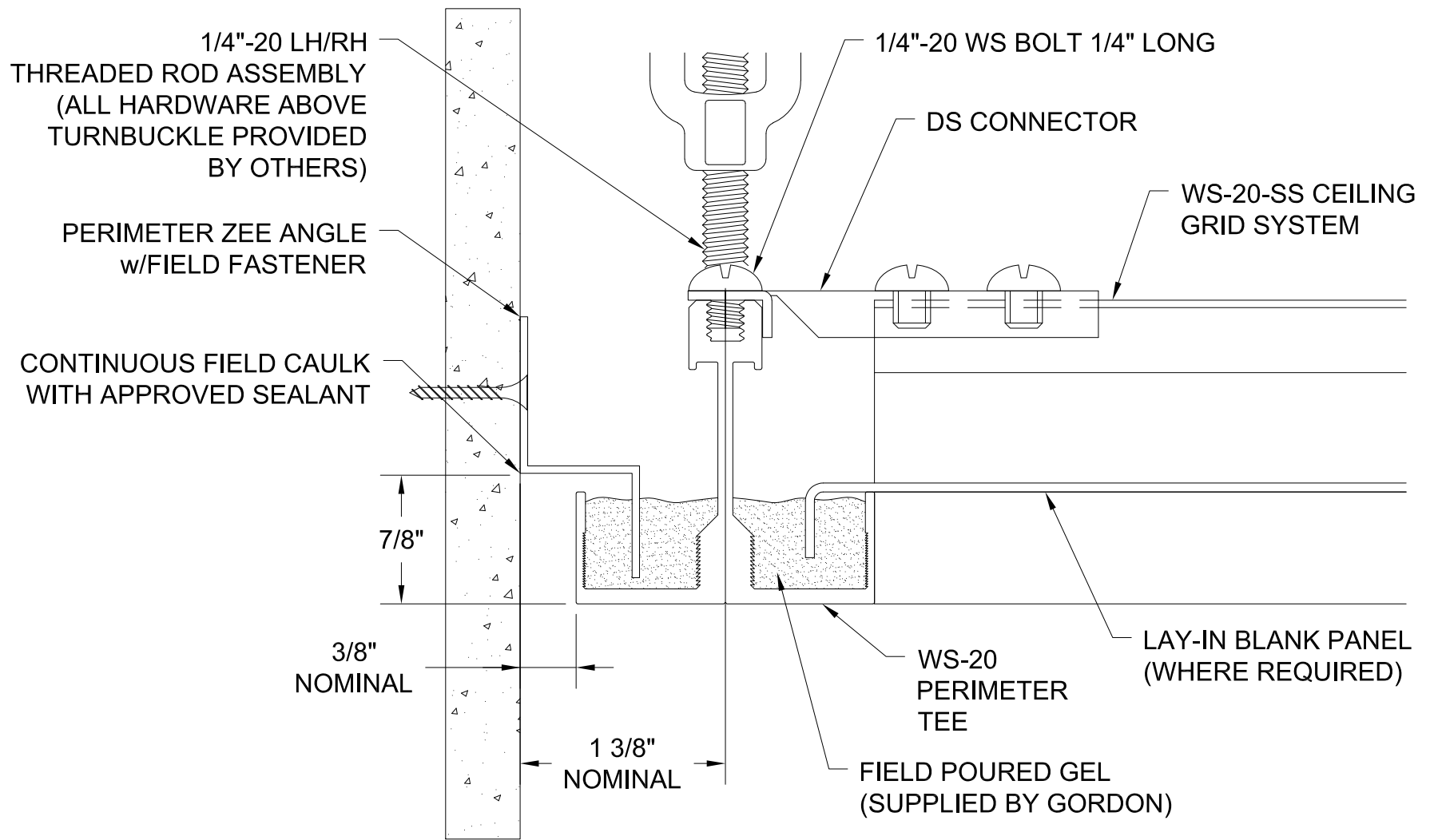
GORDON[®]
 ARCHITECTURAL+ENGINEERED SOLUTIONS

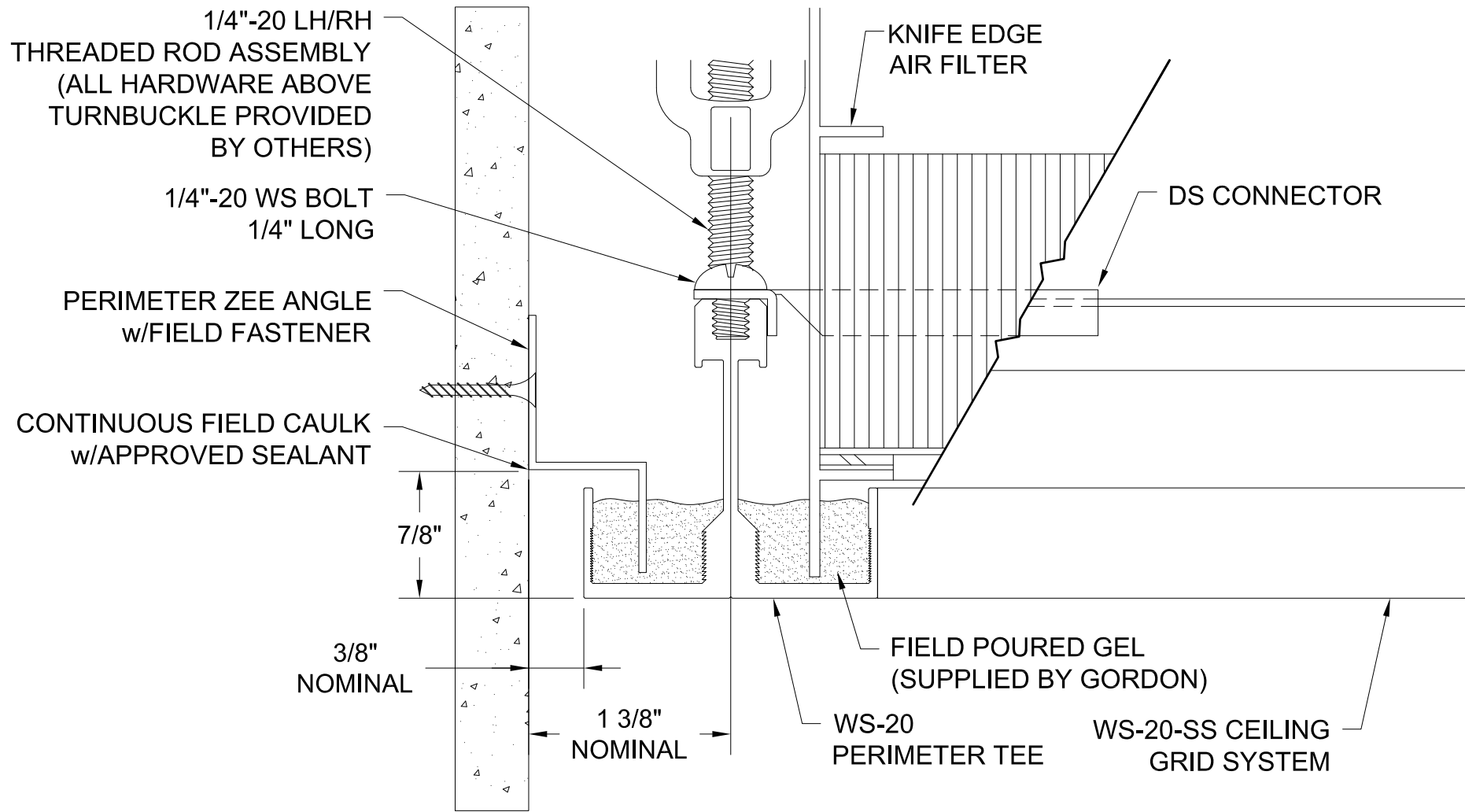
5023 Hazel Jones Rd.
 Bossier City, LA 71111
 800.747.8954
 GORDON-INC.COM
 sales@gordon-inc.com

**CLEANROOM CEILINGS
 SUSPENSION - GEL SEAL - WS-20-SS
 FIXED PERIMETER WITH BLANK PANEL**





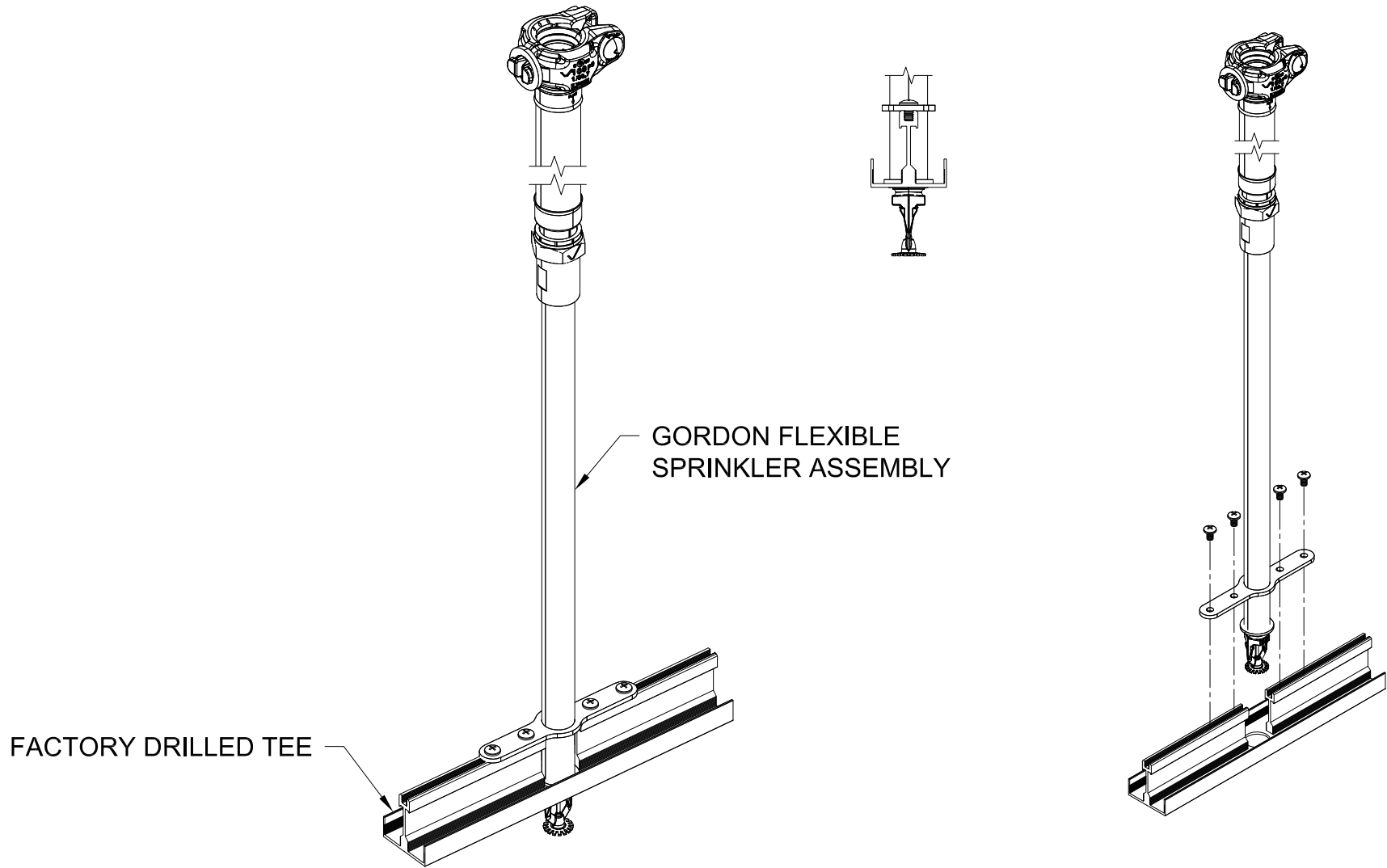




GORDON®
ARCHITECTURAL+ENGINEERED SOLUTIONS

5023 Hazel Jones Rd.
Bossier City, LA 71111
800.747.8954
GORDON-INC.COM
sales@gordon-inc.com

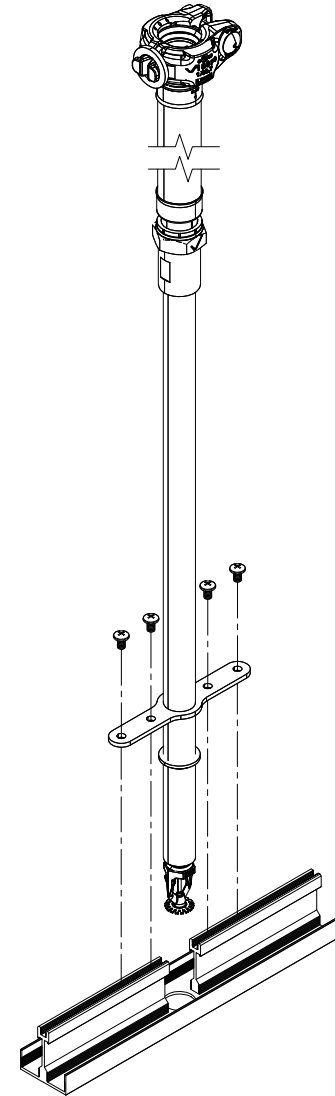
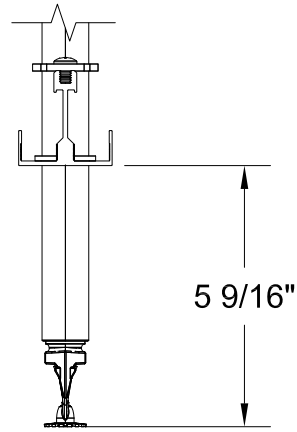
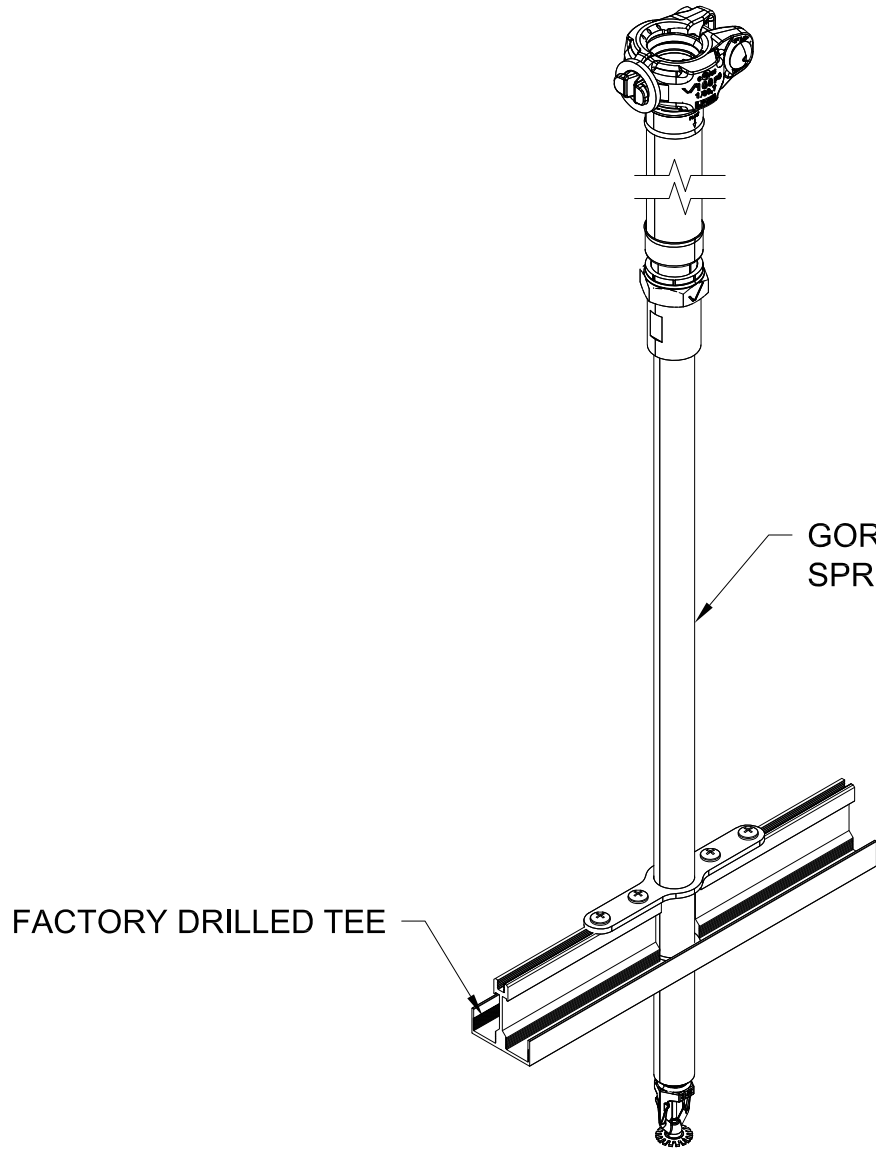
**CLEANROOM CEILINGS
SUSPENSION - GEL SEAL - WS-20-SS
FLOATING PERIMETER WITH FILTER**



GORDON®
ARCHITECTURAL+ENGINEERED SOLUTIONS

5023 Hazel Jones Rd.
Bossier City, LA 71111
800.747.8954
GORDON-INC.COM
sales@gordon-inc.com

CLEANROOM CEILINGS
SUSPENSION-GEL SEAL-WS-20-SS
FLUSH SPRINKLER ASSEMBLY



GORDON®
ARCHITECTURAL+ENGINEERED SOLUTIONS

5023 Hazel Jones Rd.
Bossier City, LA 71111
800.747.8954
GORDON-INC.COM
sales@gordon-inc.com

CLEANROOM CEILINGS
SUSPENSION-GEL SEAL-WS-20-SS
EXTENDED SPRINKLER ASSEMBLY