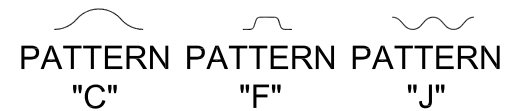
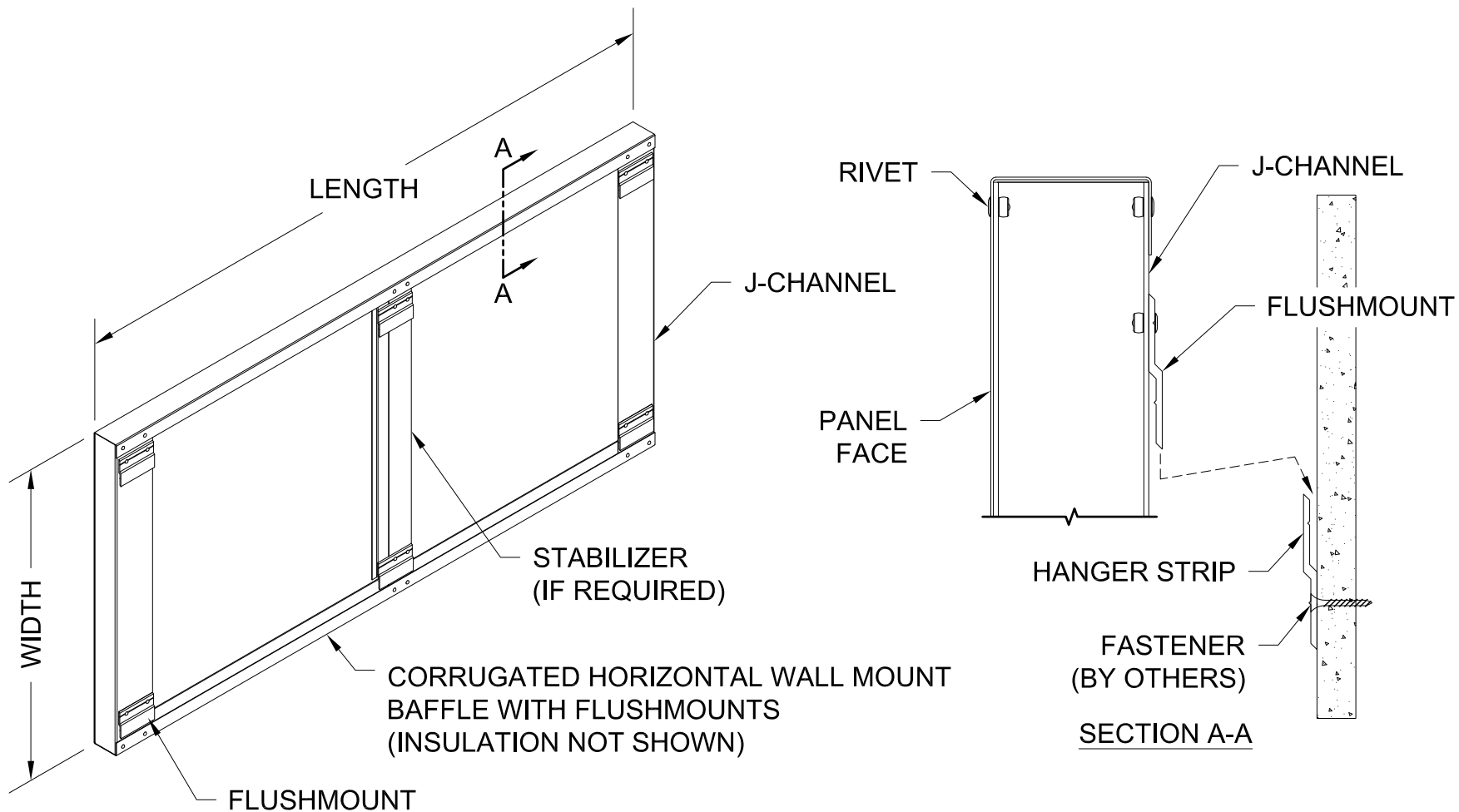


GORDON®
ARCHITECTURAL+ENGINEERED SOLUTIONS

5023 Hazel Jones Rd.
Bossier City, LA 71111
800.747.8954
GORDON-INC.COM
sales@gordon-inc.com

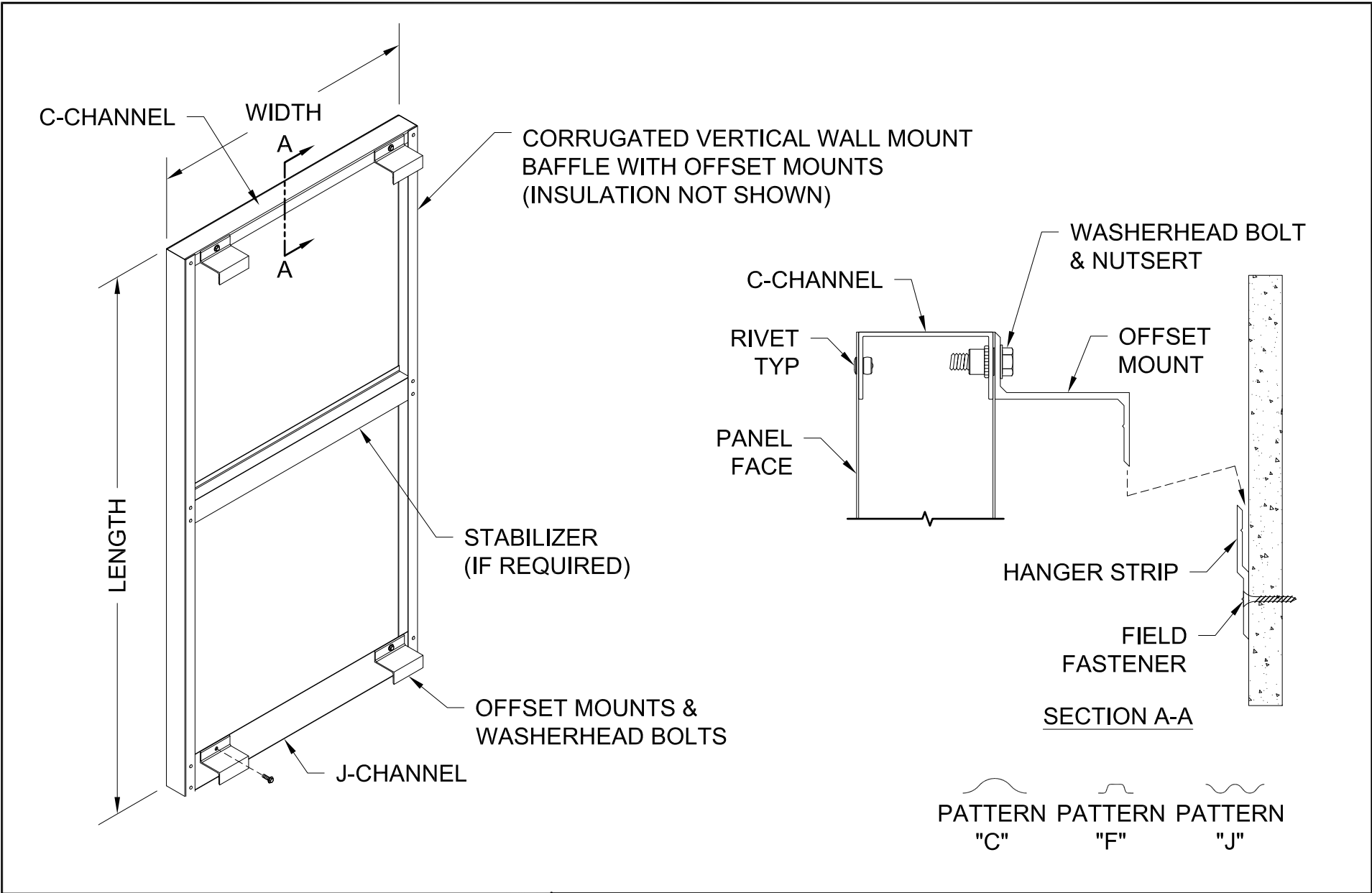
INDUSTRIAL WALL SYSTEMS
CORRUGATED - BAFFLES
FLUSHMOUNT - VERTICAL



GORDON[®]
ARCHITECTURAL+ENGINEERED SOLUTIONS

5023 Hazel Jones Rd.
Bossier City, LA 71111
800.747.8954
GORDON-INC.COM
sales@gordon-inc.com

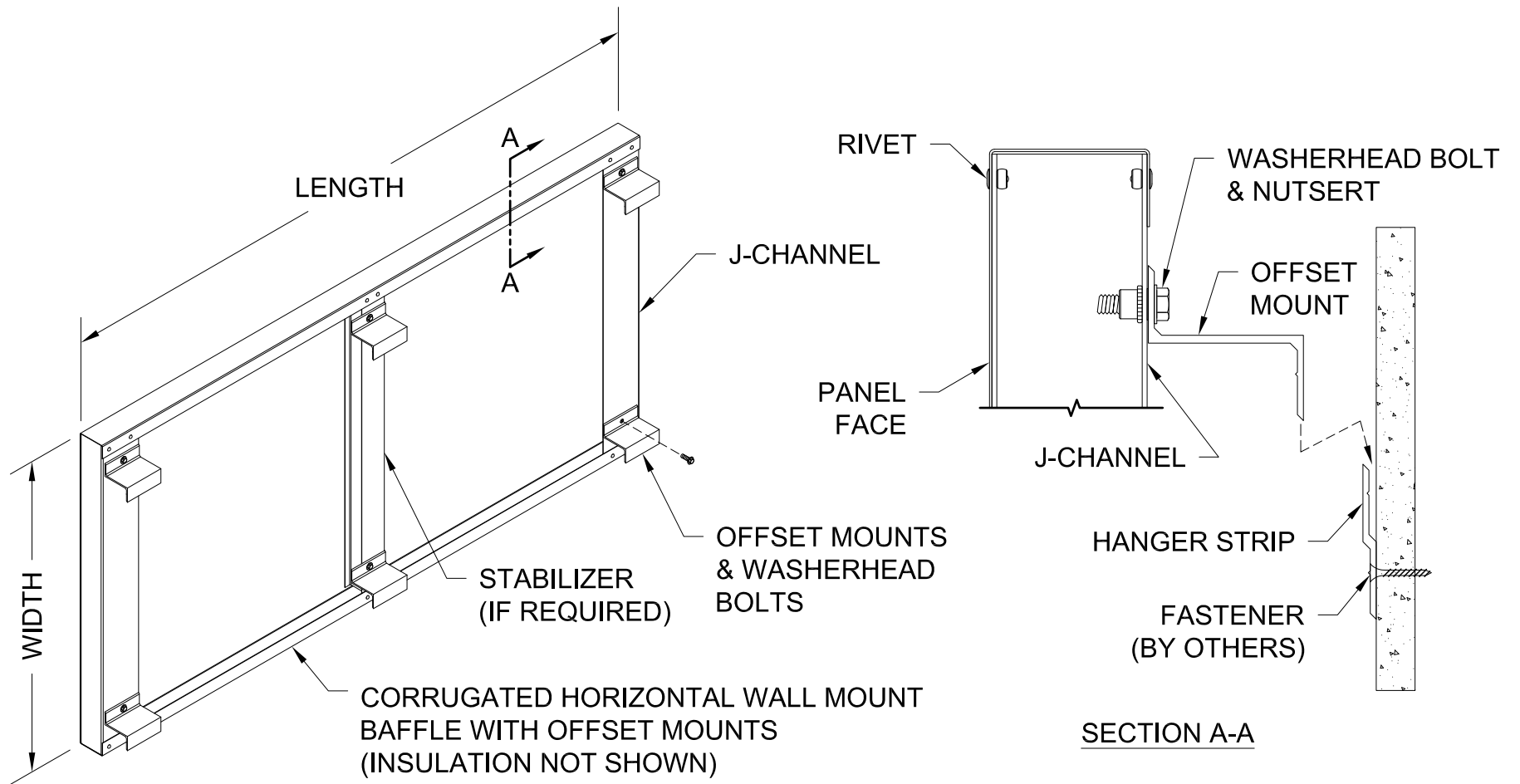
INDUSTRIAL WALL SYSTEMS
CORRUGATED - BAFFLES
FLUSHMOUNT - HORIZONTAL



GORDON®
ARCHITECTURAL+ENGINEERED SOLUTIONS

5023 Hazel Jones Rd.
Bossier City, LA 71111
800.747.8954
GORDON-INC.COM
sales@gordon-inc.com

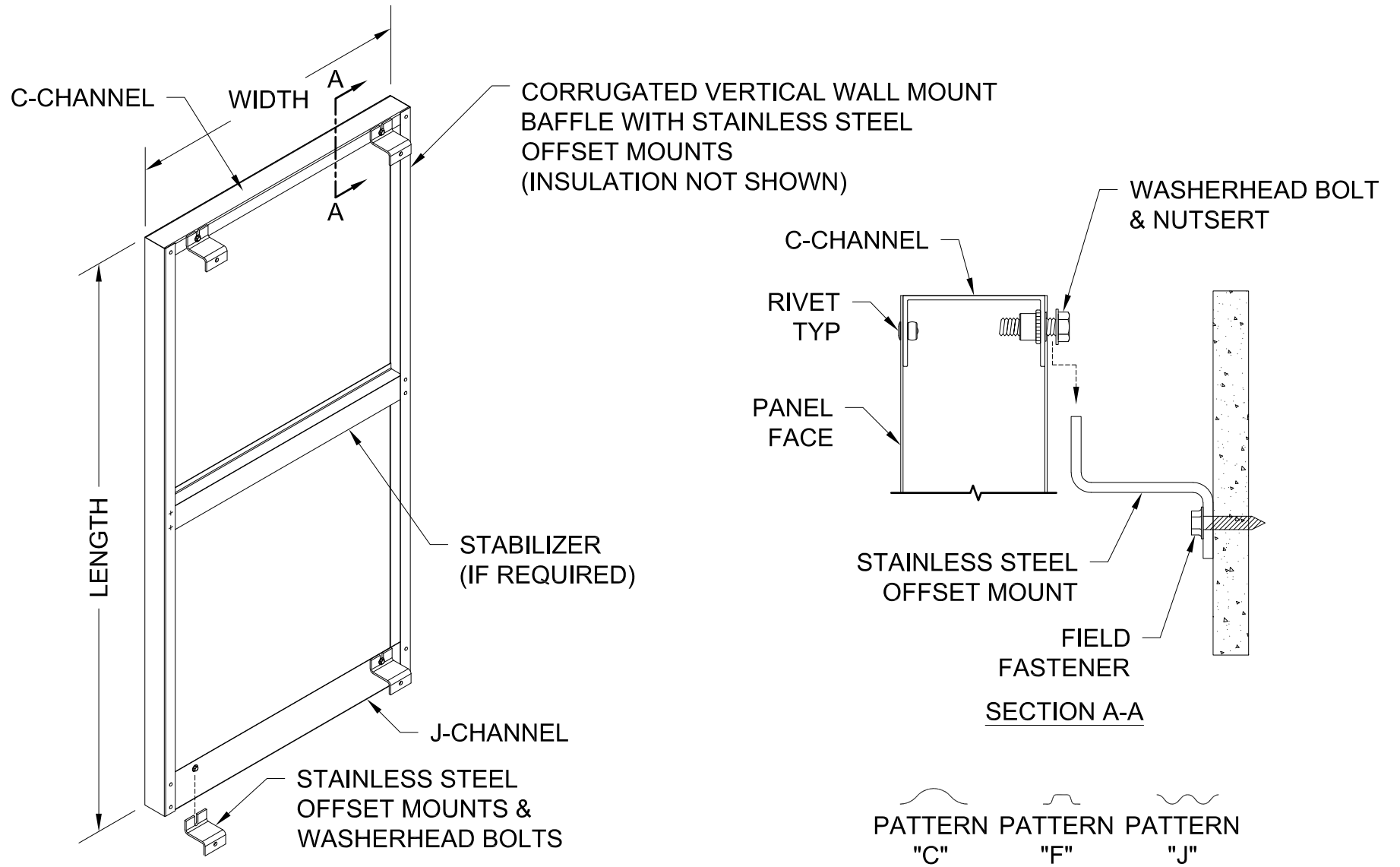
INDUSTRIAL WALL SYSTEMS
CORRUGATED - BAFFLES
OFFSET MOUNT - VERTICAL



GORDON[®]
ARCHITECTURAL+ENGINEERED SOLUTIONS

5023 Hazel Jones Rd.
Bossier City, LA 71111
800.747.8954
GORDON-INC.COM
sales@gordon-inc.com

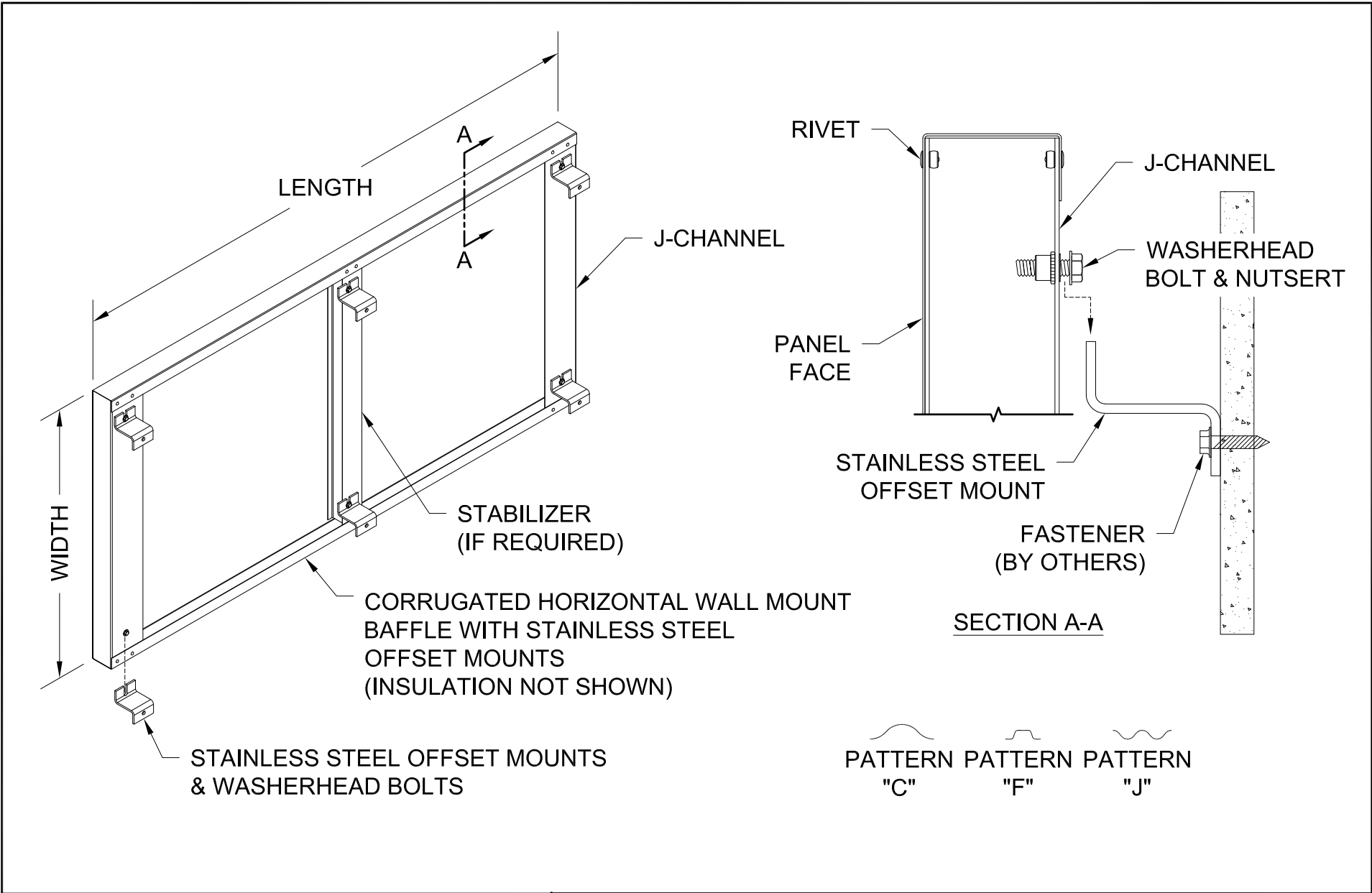
**INDUSTRIAL WALL SYSTEMS
CORRUGATED - BAFFLES
OFFSET MOUNT - HORIZONTAL**



GORDON®
ARCHITECTURAL+ENGINEERED SOLUTIONS

5023 Hazel Jones Rd.
Bossier City, LA 71111
800.747.8954
GORDON-INC.COM
sales@gordon-inc.com

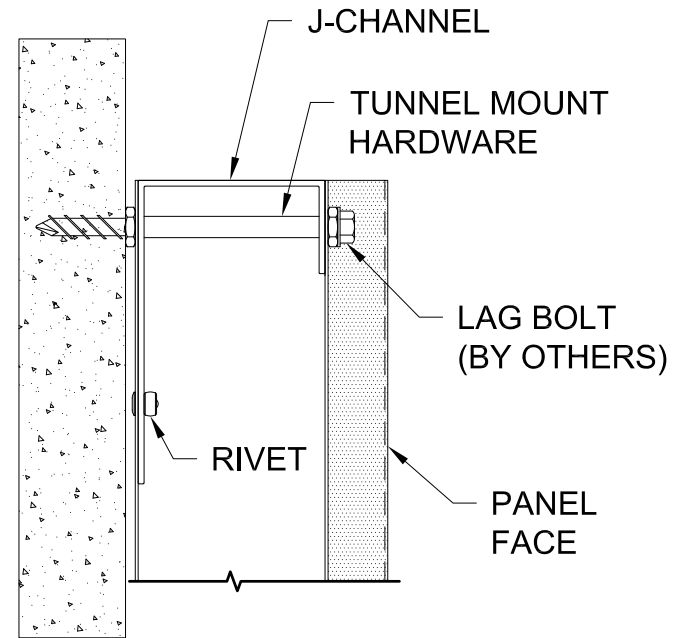
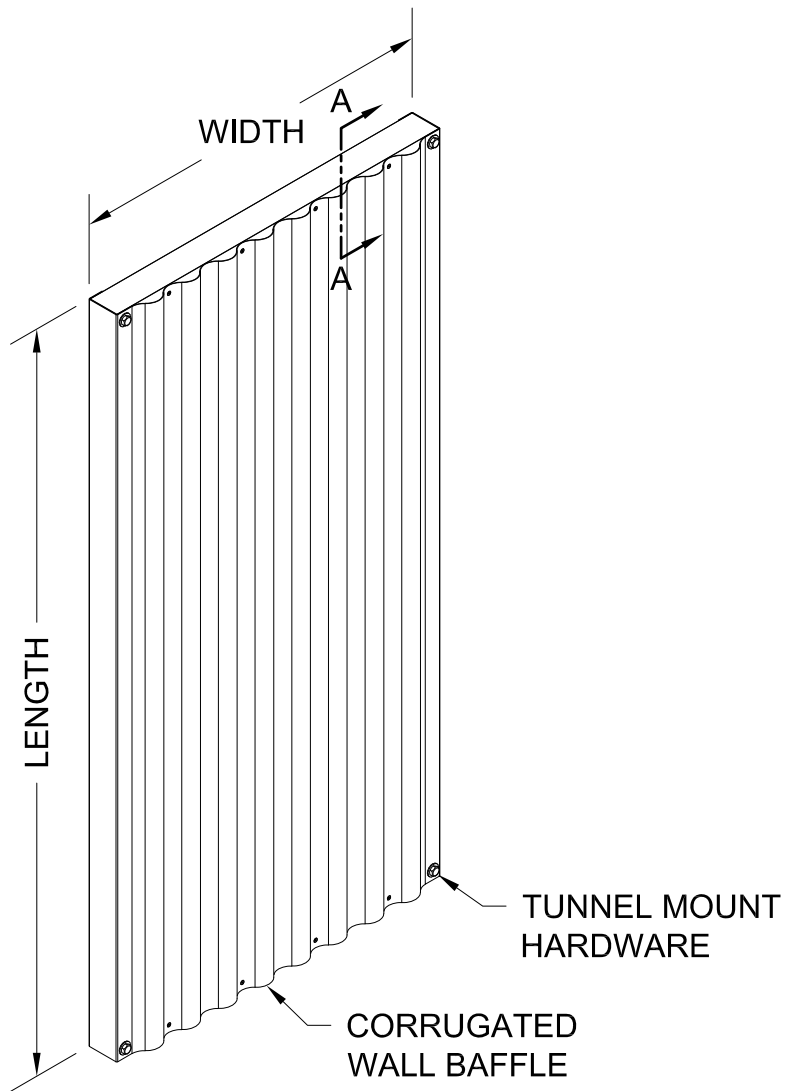
INDUSTRIAL WALL SYSTEMS
CORRUGATED - BAFFLES
SS OFFSET MOUNT - VERTICAL



GORDON®
ARCHITECTURAL+ENGINEERED SOLUTIONS

5023 Hazel Jones Rd.
Bossier City, LA 71111
800.747.8954
GORDON-INC.COM
sales@gordon-inc.com

INDUSTRIAL WALL SYSTEMS
CORRUGATED - BAFFLES
SS OFFSET MOUNT - HORIZONTAL



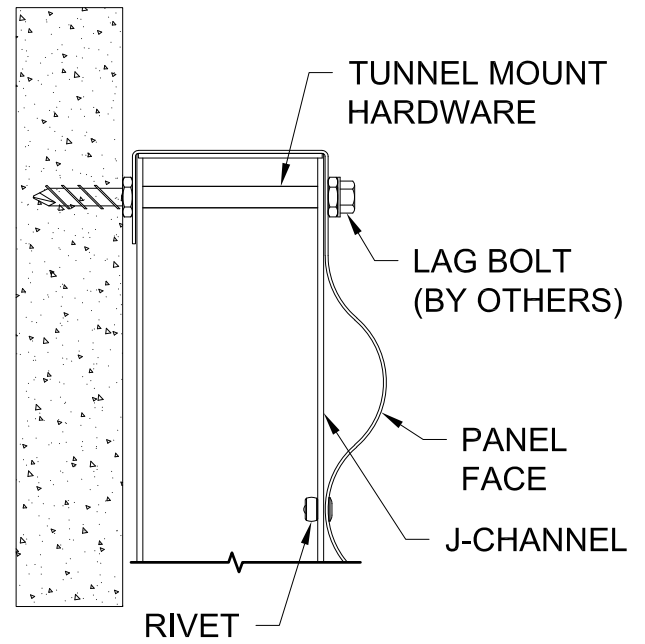
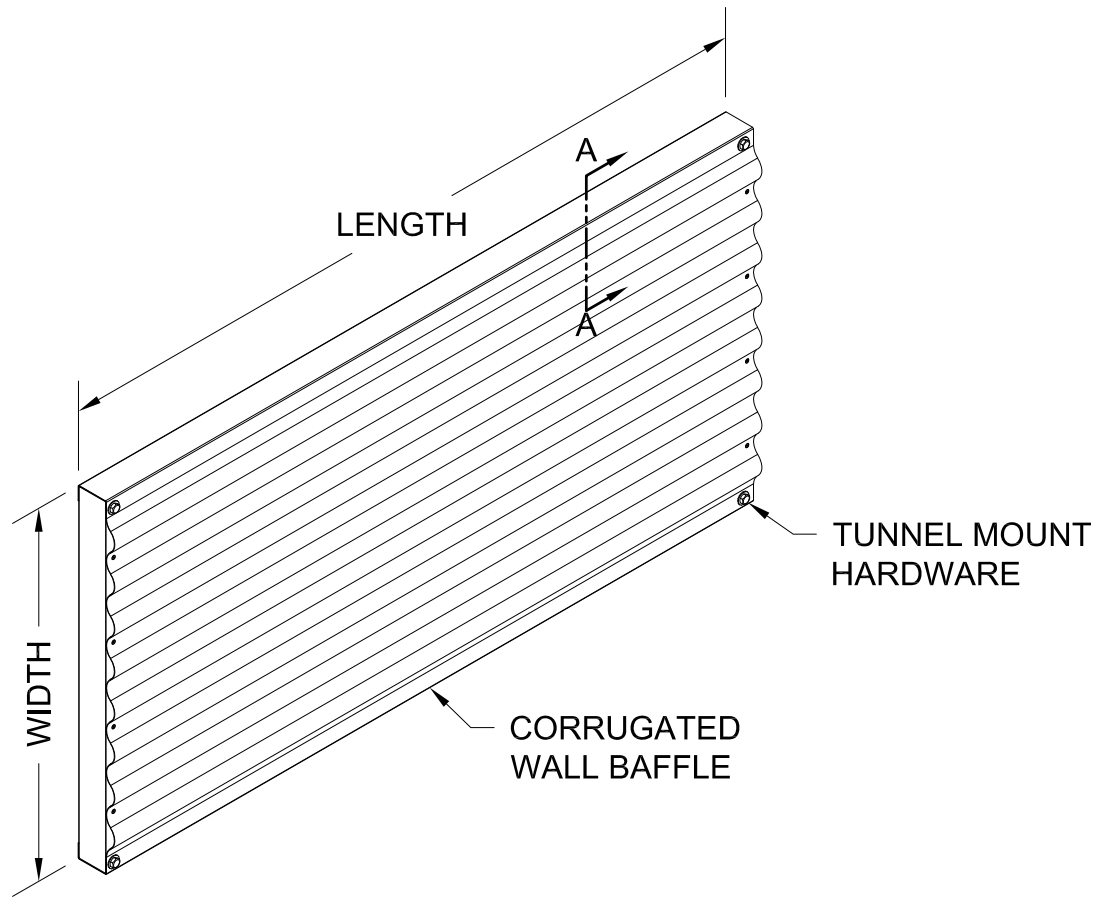
SECTION A-A



GORDON[®]
ARCHITECTURAL+ENGINEERED SOLUTIONS

5023 Hazel Jones Rd.
Bossier City, LA 71111
800.747.8954
GORDON-INC.COM
sales@gordon-inc.com

INDUSTRIAL WALL SYSTEMS
CORRUGATED - BAFFLES
TUNNEL MOUNT - VERTICAL



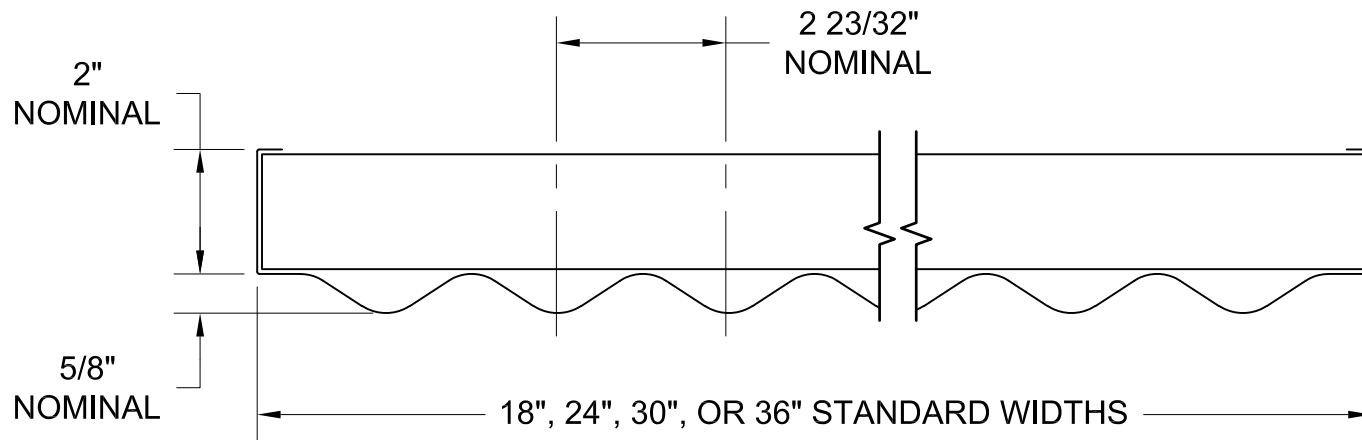
SECTION A-A



GORDON[®]
ARCHITECTURAL+ENGINEERED SOLUTIONS

5023 Hazel Jones Rd.
Bossier City, LA 71111
800.747.8954
GORDON-INC.COM
sales@gordon-inc.com

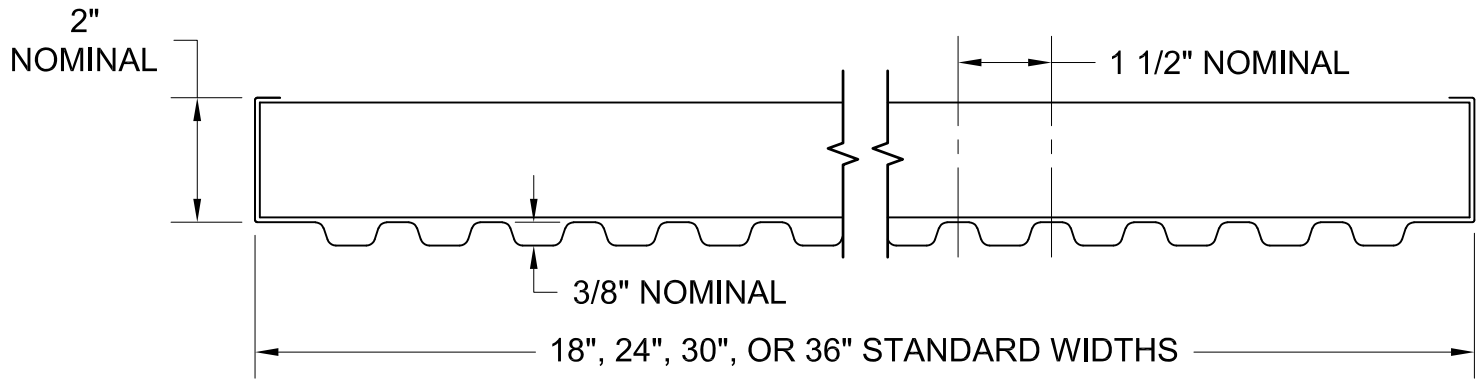
INDUSTRIAL WALL SYSTEMS
CORRUGATED - BAFFLES
TUNNEL MOUNT - HORIZONTAL



C-BAF
ALUMINUM / STEEL
 MAXIMUM LENGTH: 120"

AVAILABLE MATERIAL	
ALUMINUM	STEEL
.032"	22 GAUGE
	24 GAUGE
	26 GAUGE

NOTE: ALL DIMENSIONS SHOWN ARE NOMINAL.
 STANDARD FACTORY TOLERANCES:
 LENGTH: ± 1/16"
 WIDTH: +0" -1/16"



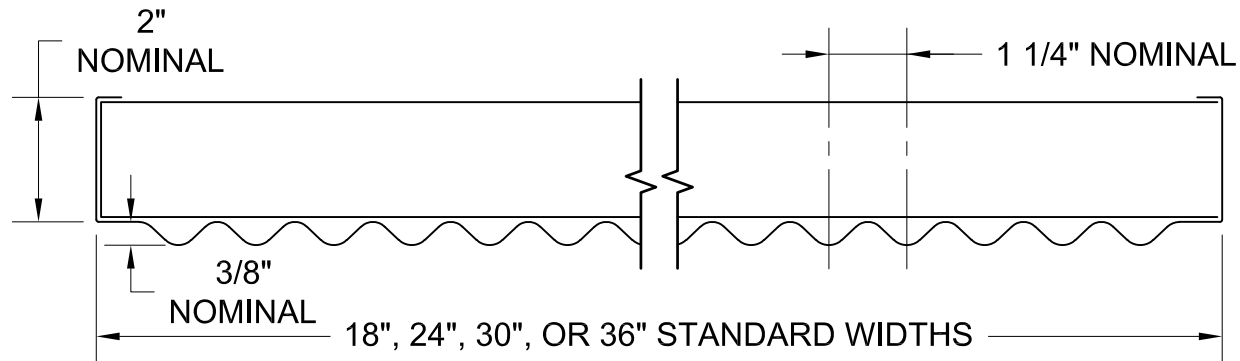
F-BAF
ALUMINUM / STEEL
 MAXIMUM LENGTH: 120"

NOTE: ALL DIMENSIONS SHOWN ARE NOMINAL.
 STANDARD FACTORY TOLERANCES:
 LENGTH: ± 1/16"
 WIDTH: +0" -1/16"

AVAILABLE MATERIAL	
ALUMINUM	STEEL
.032"	24 GAUGE
	26 GAUGE

GORDON® ARCHITECTURAL+ENGINEERED SOLUTIONS
 5023 Hazel Jones Rd.
 Bossier City, LA 71111
 800.747.8954
 GORDON-INC.COM
 sales@gordon-inc.com

INDUSTRIAL WALL SYSTEMS
CORRUGATED - BAFFLES
PATTERN "F"



J-BAF
ALUMINUM / STEEL
 MAXIMUM LENGTH: 120"

AVAILABLE MATERIAL	
ALUMINUM	STEEL
.032"	22 GAUGE
	24 GAUGE
	26 GAUGE

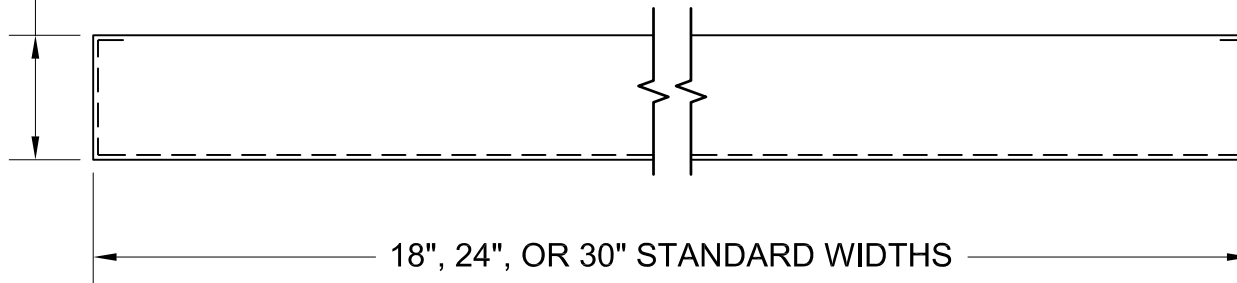
NOTE: ALL DIMENSIONS SHOWN ARE NOMINAL.
 STANDARD FACTORY TOLERANCES:
 LENGTH: ± 1/16"
 WIDTH: +0" -1/16"

GORDON®
 ARCHITECTURAL+ENGINEERED SOLUTIONS

5023 Hazel Jones Rd.
 Bossier City, LA 71111
 800.747.8954
 GORDON-INC.COM
 sales@gordon-inc.com

INDUSTRIAL WALL SYSTEMS
CORRUGATED - BAFFLES
PATTERN "J"

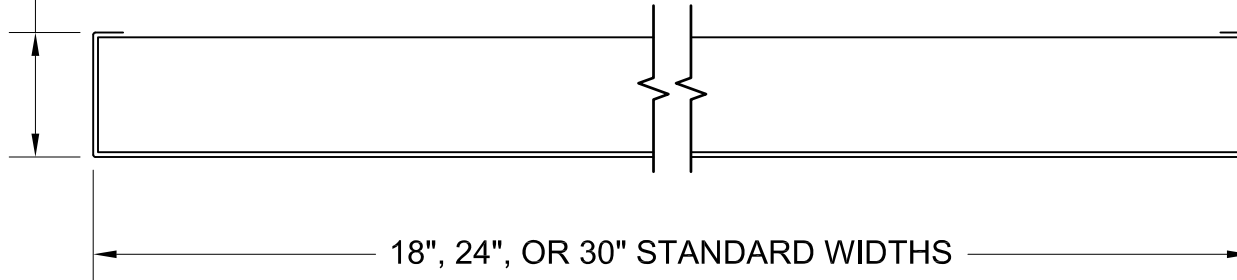
2"
NOMINAL



18", 24", OR 30" STANDARD WIDTHS

FLAT-BAF-I
ALUMINUM / STEEL
MAXIMUM LENGTH: 120"

2"
NOMINAL



18", 24", OR 30" STANDARD WIDTHS

FLAT-BAF-O
ALUMINUM / STEEL
MAXIMUM LENGTH: 120"

NOTE: ALL DIMENSIONS SHOWN ARE NOMINAL.
STANDARD FACTORY TOLERANCES:
LENGTH: $\pm 1/16"$
WIDTH: $+0" -1/16"$

AVAILABLE MATERIAL	
ALUMINUM	STEEL
.063"	22 GAUGE

GORDON[®]
ARCHITECTURAL+ENGINEERED SOLUTIONS

5023 Hazel Jones Rd.
Bossier City, LA 71111
800.747.8954
GORDON-INC.COM
sales@gordon-inc.com

INDUSTRIAL WALL SYSTEMS
CORRUGATED - BAFFLES
PATTERN "FLAT"