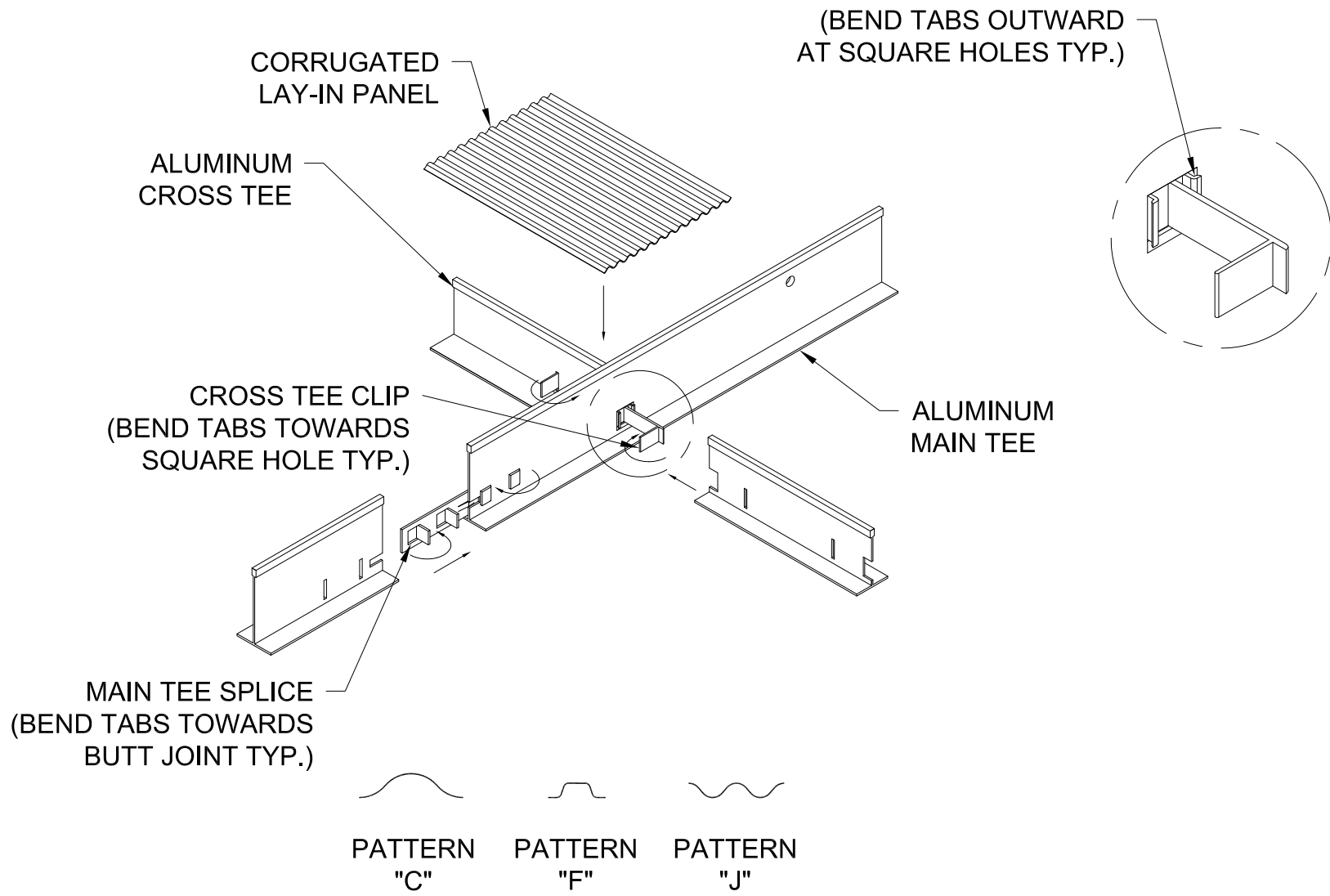
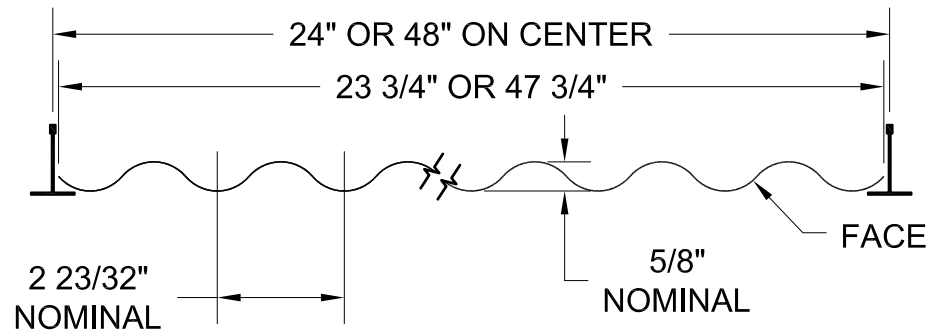


GORDON® ARCHITECTURAL+ENGINEERED SOLUTIONS

5023 Hazel Jones Rd.
Bossier City, LA 71111
800.747.8954
GORDON-INC.COM
sales@gordon-inc.com

INDUSTRIAL CEILING SYSTEMS
CORRUGATED - PANELS - LAY-IN
STEEL SUSPENSION - ISOMETRIC





C-GRID PANEL
ALUMINUM / STEEL

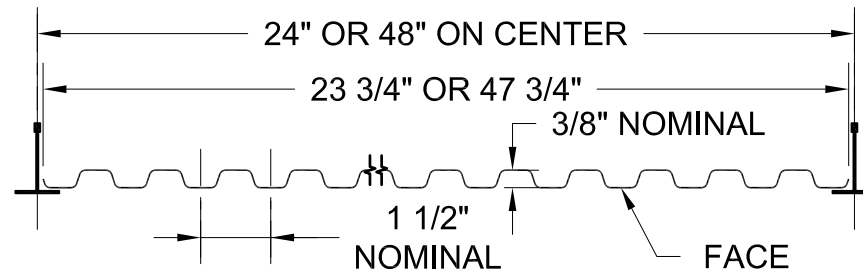
NOTE: ALL DIMENSIONS SHOWN ARE NOMINAL.
STANDARD FACTORY TOLERANCES:
LENGTH: $\pm 1/16"$
WIDTH: $+1/16"$ $-1/8"$
DIAGONAL: $\pm 1/8"$

AVAILABLE MATERIAL	
ALUMINUM	STEEL
.032"	22 GAUGE
	24 GAUGE
	26 GAUGE

GORDON[®]
ARCHITECTURAL+ENGINEERED SOLUTIONS

5023 Hazel Jones Rd.
Bossier City, LA 71111
800.747.8954
GORDON-INC.COM
sales@gordon-inc.com

INDUSTRIAL CEILING SYSTEMS
CORRUGATED - PANELS - LAY - IN
PATTERN "C" GRID PANEL



F-GRID PANEL
ALUMINUM / STEEL

AVAILABLE MATERIAL	
ALUMINUM	STEEL
.032"	24 GAUGE
	26 GAUGE

NOTE: ALL DIMENSIONS SHOWN ARE NOMINAL.

STANDARD FACTORY TOLERANCES:

LENGTH: $\pm 1/16"$

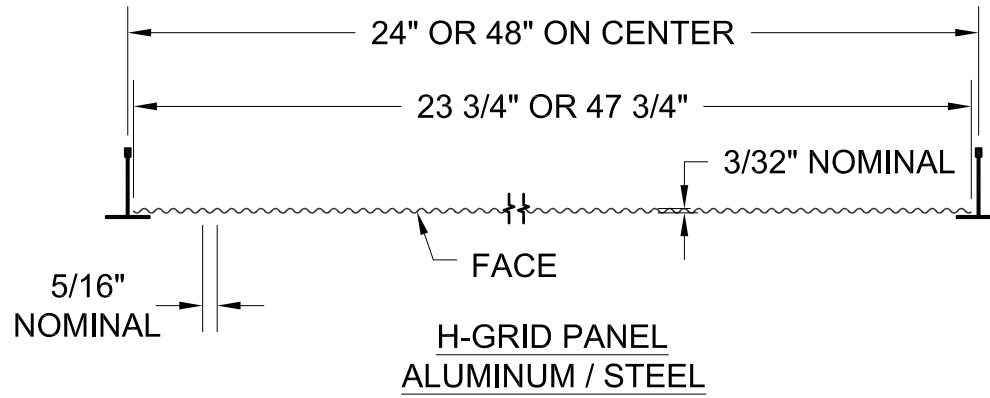
WIDTH: $+1/16" -1/8"$

DIAGONAL: $\pm 1/8"$

GORDON[®]
 ARCHITECTURAL+ENGINEERED SOLUTIONS

5023 Hazel Jones Rd.
 Bossier City, LA 71111
 800.747.8954
 GORDON-INC.COM
 sales@gordon-inc.com

INDUSTRIAL CEILING SYSTEMS
 CORRUGATED - PANELS - LAY - IN
 PATTERN "F" GRID PANEL



STANDARD DIMENSIONS	
MODULE SIZE	PANEL SIZE
24" x 24"	23 3/4" x 23 3/4"
24" x 48"	23 3/4" x 47 3/4"

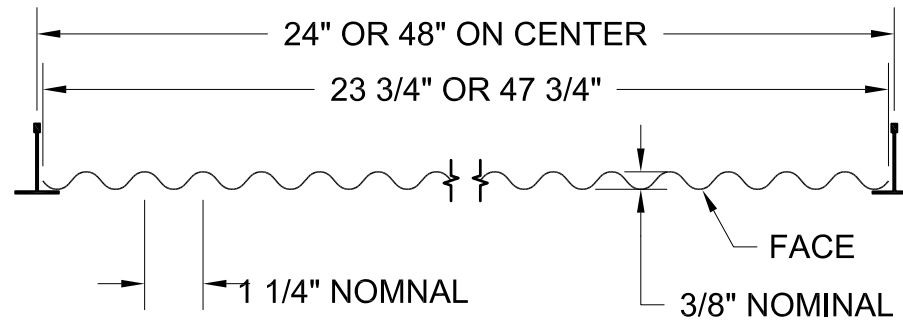
AVAILABLE MATERIAL	
ALUMINUM	STEEL
.032"	24 GAUGE
	26 GAUGE

NOTE: ALL DIMENSIONS SHOWN ARE NOMINAL.
 STANDARD FACTORY TOLERANCES:
 LENGTH: $\pm 1/16"$
 WIDTH: $+1/16" -1/8"$
 DIAGONAL: $\pm 1/8"$

GORDON®
 ARCHITECTURAL+ENGINEERED SOLUTIONS

5023 Hazel Jones Rd.
 Bossier City, LA 71111
 800.747.8954
 GORDON-INC.COM
 sales@gordon-inc.com

INDUSTRIAL CEILING SYSTEMS
 CORRUGATED - PANELS - LAY - IN
 PATTERN "H" GRID PANEL



J-GRID PANEL
ALUMINUM / STEEL

AVAILABLE MATERIAL	
ALUMINUM	STEEL
.032"	22 GAUGE
	24 GAUGE
	26 GAUGE

NOTE: ALL DIMENSIONS SHOWN ARE NOMINAL.
STANDARD FACTORY TOLERANCES:

LENGTH: $\pm 1/16"$

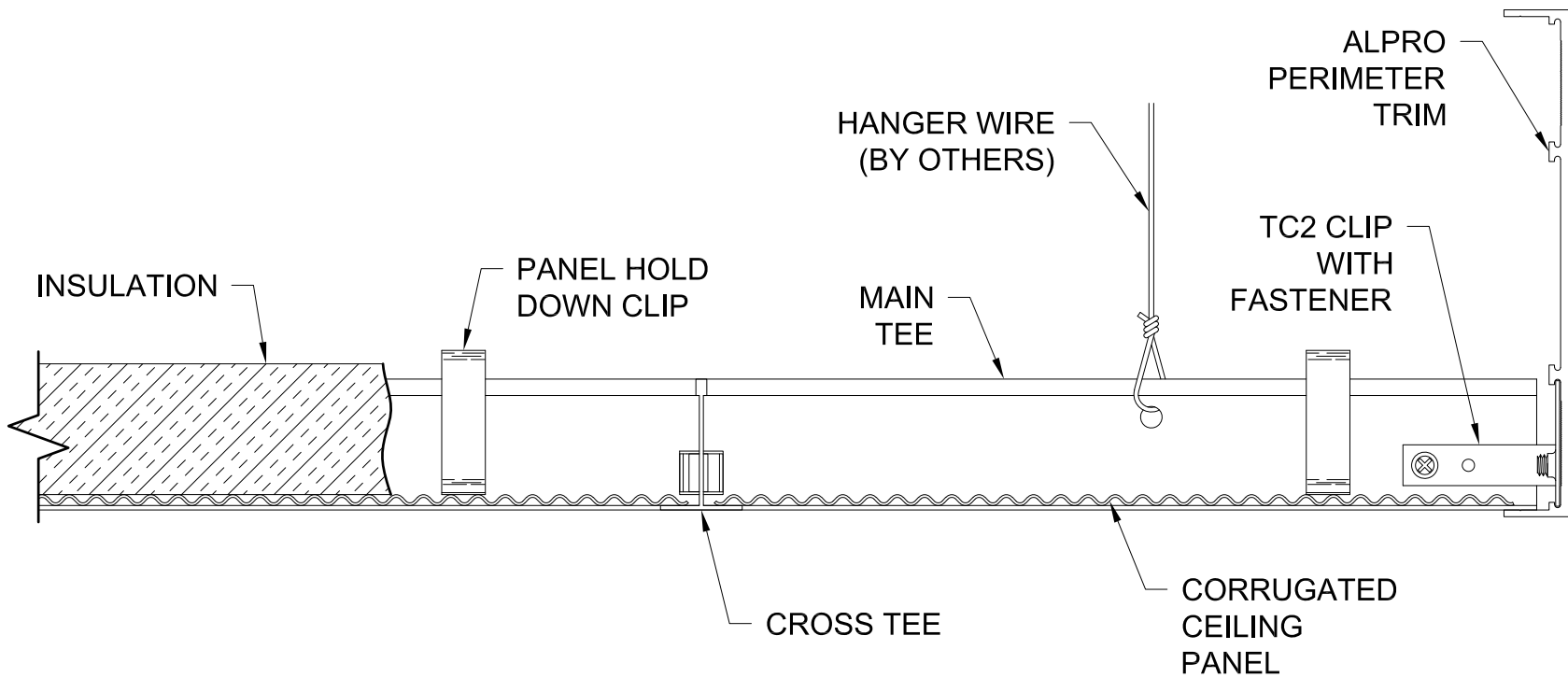
WIDTH: $+1/16"$ $-1/8"$

DIAGONAL: $\pm 1/8"$

GORDON[®]
ARCHITECTURAL+ENGINEERED SOLUTIONS

5023 Hazel Jones Rd.
Bossier City, LA 71111
800.747.8954
GORDON-INC.COM
sales@gordon-inc.com

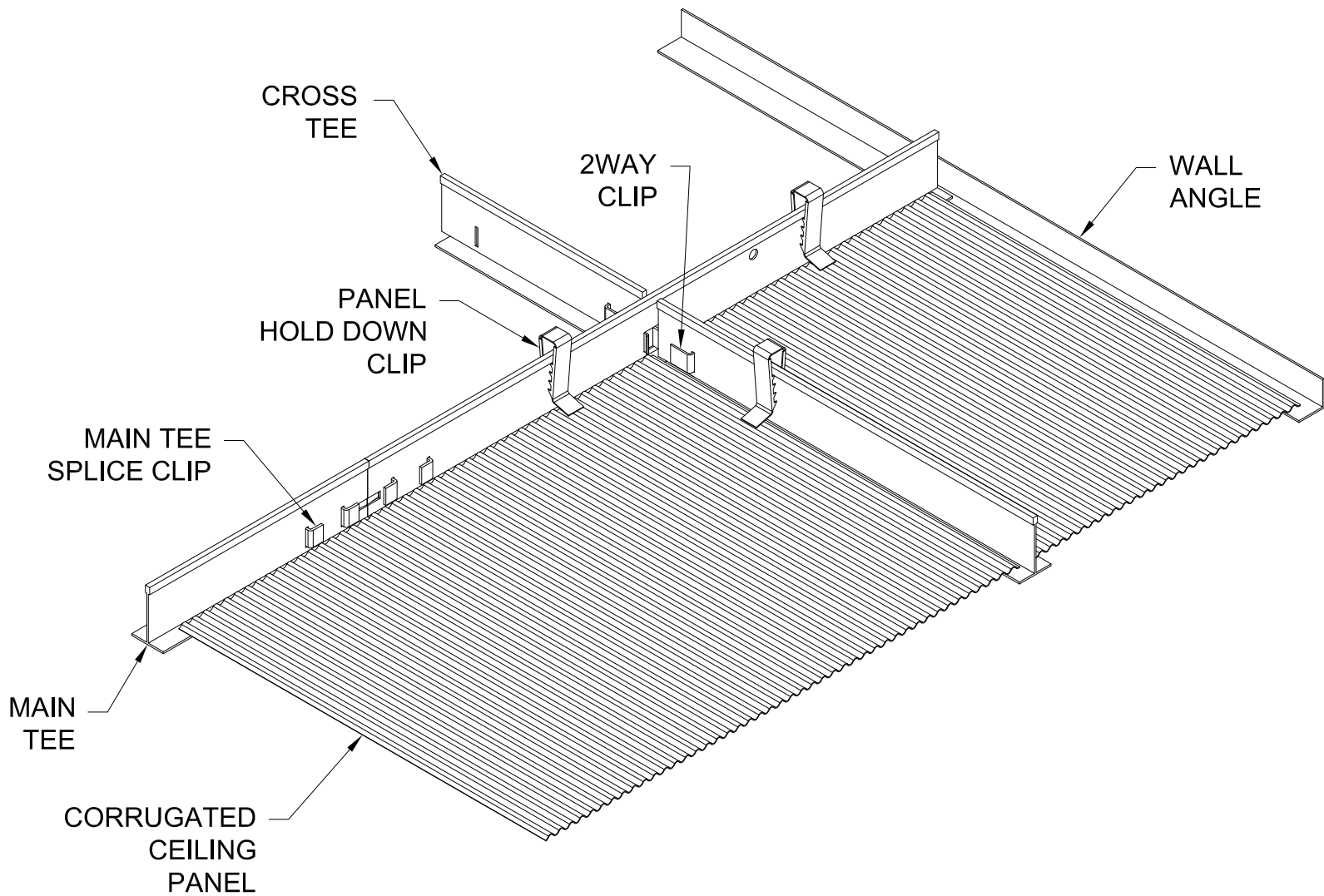
INDUSTRIAL CEILING SYSTEMS
CORRUGATED - PANELS - LAY - IN
PATTERN "J" GRID PANEL



GORDON[®]
 ARCHITECTURAL+ENGINEERED SOLUTIONS

5023 Hazel Jones Rd.
 Bossier City, LA 71111
 800.747.8954
 GORDON-INC.COM
 sales@gordon-inc.com

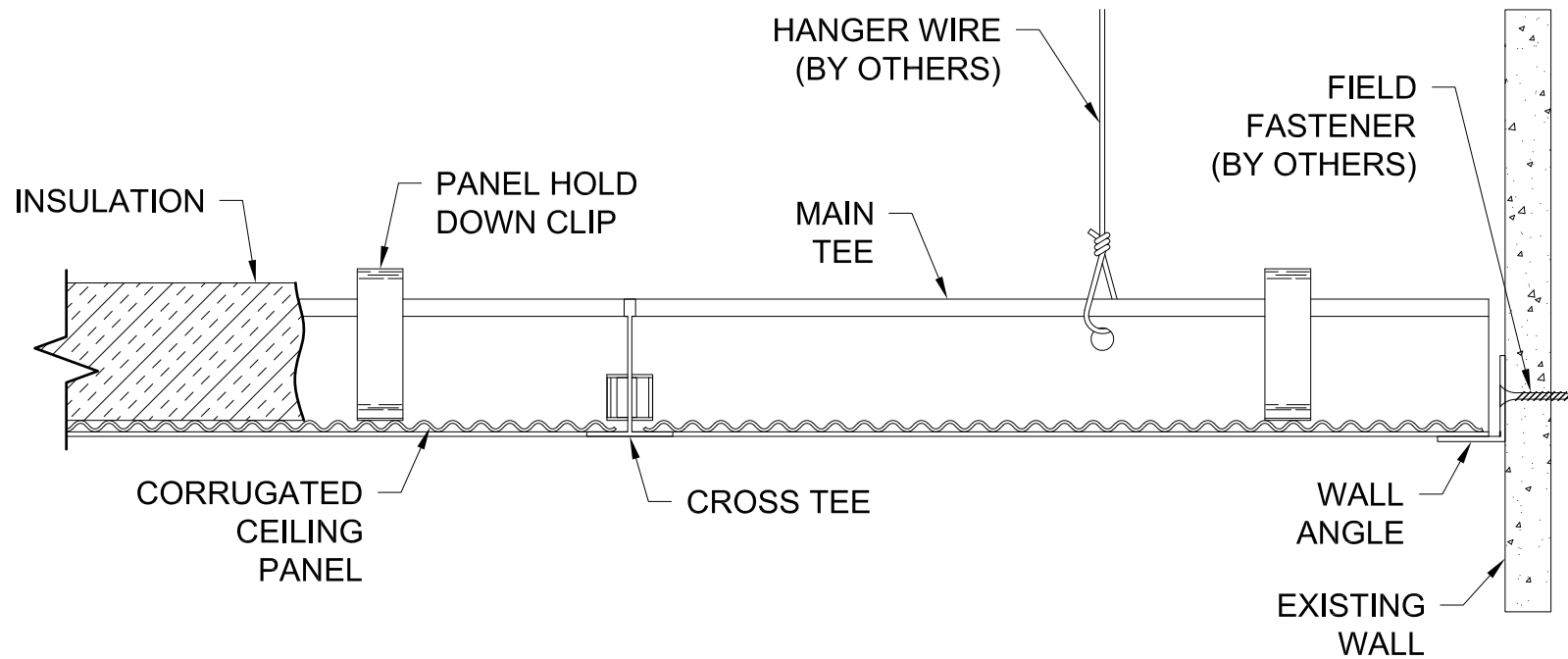
**INDUSTRIAL CEILING SYSTEMS
 CORRUGATED - PANELS - LAY - IN
 PERIMETER TRIM SIDE SECTION**



GORDON[®]
ARCHITECTURAL+ENGINEERED SOLUTIONS

5023 Hazel Jones Rd.
Bossier City, LA 71111
800.747.8954
GORDON-INC.COM
sales@gordon-inc.com

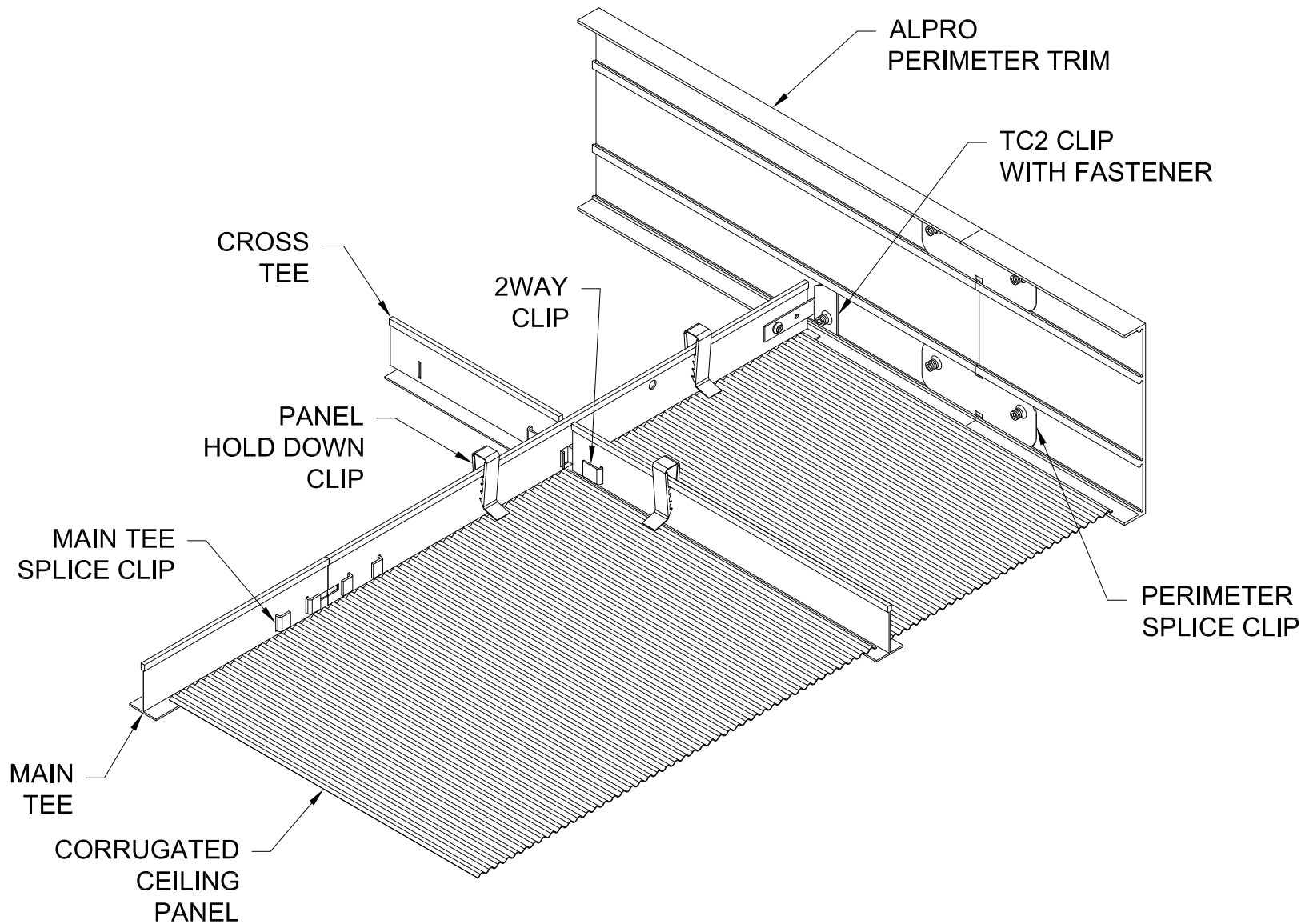
INDUSTRIAL CEILING SYSTEMS
CORRUGATED - PANELS - LAY - IN
WALL ANGLE ISOMETRIC VIEW



GORDON[®]
ARCHITECTURAL+ENGINEERED SOLUTIONS

5023 Hazel Jones Rd.
Bossier City, LA 71111
800.747.8954
GORDON-INC.COM
sales@gordon-inc.com

INDUSTRIAL CEILING SYSTEMS
CORRUGATED - PANELS - LAY - IN
WALL ANGLE SIDE SECTION



GORDON[®]
ARCHITECTURAL+ENGINEERED SOLUTIONS

5023 Hazel Jones Rd.
Bossier City, LA 71111
800.747.8954
GORDON-INC.COM
sales@gordon-inc.com

INDUSTRIAL CEILING SYSTEMS
CORRUGATED - PANELS - LAY -IN
PERIMETER TRIM ISOMETRIC VIEW