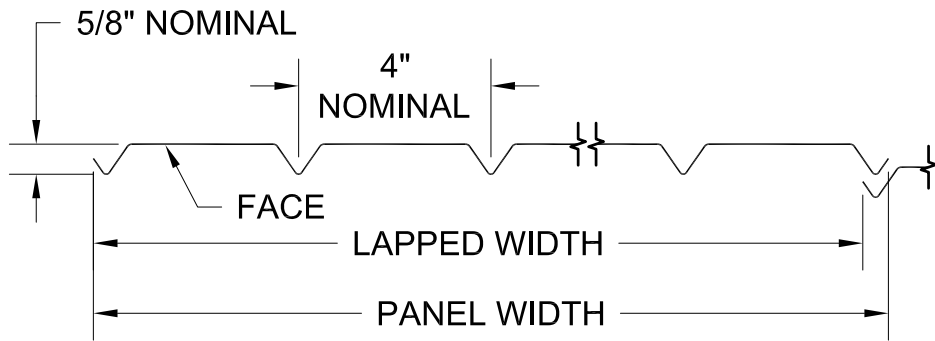


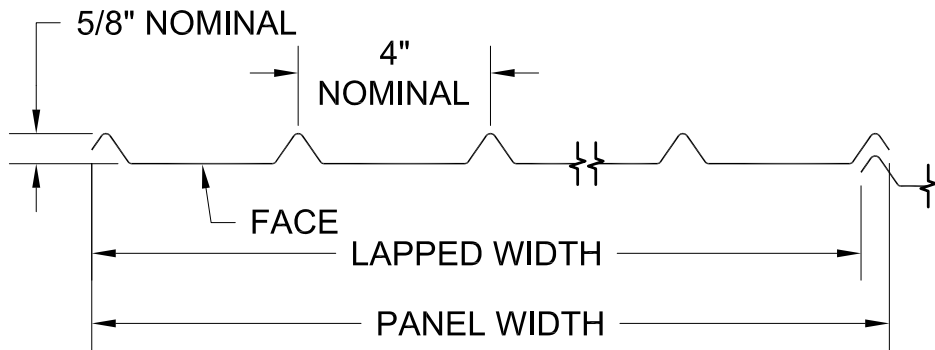
**GORDON**  
ARCHITECTURAL+ENGINEERED SOLUTIONS

5023 Hazel Jones Rd.  
Bossier City, LA 71111  
800.747.8954  
GORDON-INC.COM  
sales@gordon-inc.com

CEILING  
CORRUGATED - PANELS - CUSTOM  
ALUMINUM SUSPENSION - ISOMETRIC



**AO - ALUMINUM / STEEL**  
 MAXIMUM LENGTH: 120"



**AI - ALUMINUM / STEEL**  
 MAXIMUM LENGTH: 120"

NOMINAL DIMENSIONS	
LAPPED WIDTH	PANEL WIDTH
40 3/4"	41 1/2"
51 1/4"	52"

AVAILABLE MATERIAL	
ALUMINUM	STEEL
.032"	24 GAUGE
	26 GAUGE

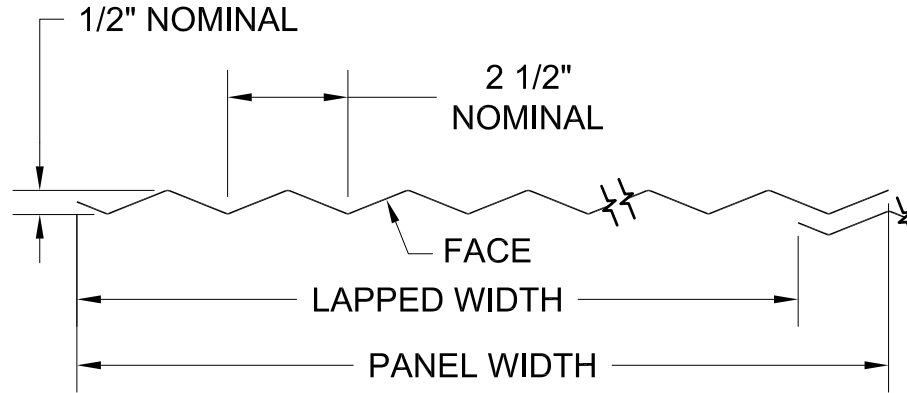
NOTE: ALL DIMENSIONS ARE NOMINAL AND WILL VARY WITH DIFFERENT THICKNESSES AND TYPES OF MATERIAL.

STANDARD FACTORY TOLERANCES:

LENGTH:  $\pm 5/32$ "

WIDTH:  $\pm 3/16$ "

DIAGONAL:  $\pm 3/16$ "



**ALUMINUM / STEEL**  
 MAXIMUM LENGTH: 120"

NOMINAL DIMENSIONS	
LAPPED WIDTH	PANEL WIDTH
42 3/4"	44 3/4"
54 3/4"	55 3/4"

AVAILABLE MATERIAL	
ALUMINUM	STEEL
.032"	22 GAUGE
	24 GAUGE
	26 GAUGE

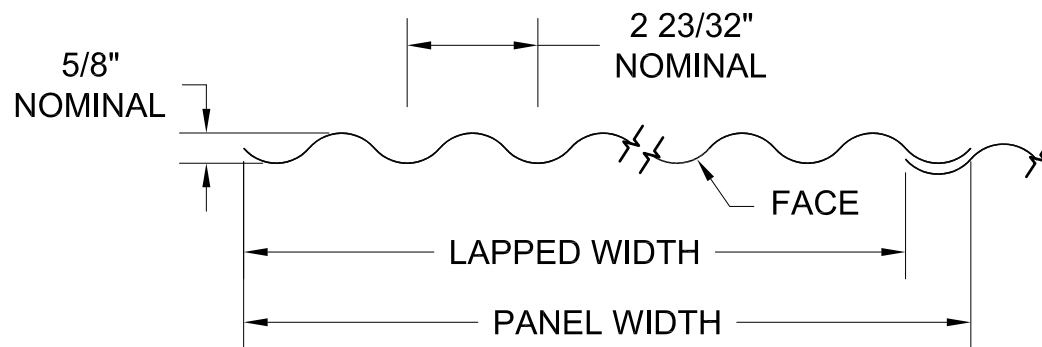
NOTE: ALL DIMENSIONS ARE NOMINAL AND WILL VARY WITH DIFFERENT THICKNESSES AND TYPES OF MATERIAL.

STANDARD FACTORY TOLERANCES:

LENGTH:  $\pm 5/32$ "

WIDTH:  $\pm 3/16$ "

DIAGONAL:  $\pm 3/16$ "



NOMINAL DIMENSIONS	
LAPPED WIDTH	PANEL WIDTH
40 3/8"	42"
51 5/8"	52 3/4"

**ALUMINUM**

.032" ALUMINUM MAXIMUM LENGTH: 144"  
 .063" ALUMINUM MAXIMUM LENGTH: 120"

**STEEL**

MAXIMUM LENGTH: 144"

AVAILABLE MATERIAL	
ALUMINUM	STEEL
.032"	22 GAUGE
.063"	24 GAUGE
	26 GAUGE

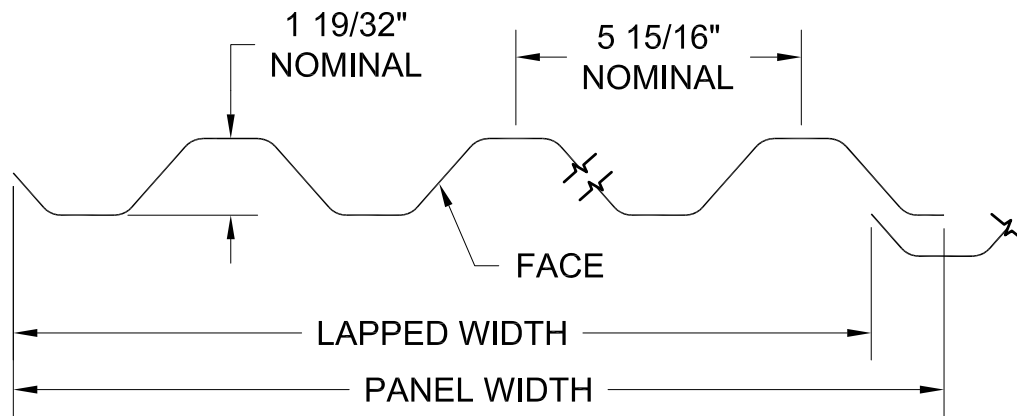
NOTE: ALL DIMENSIONS ARE NOMINAL AND WILL VARY WITH DIFFERENT THICKNESSES AND TYPES OF MATERIAL.

STANDARD FACTORY TOLERANCES:

LENGTH: ± 5/32"

WIDTH: ± 3/16"

DIAGONAL: ± 3/16"



ALUMINUM / STEEL  
 MAXIMUM LENGTH: 120"

NOMINAL DIMENSIONS	
LAPPED WIDTH	PANEL WIDTH
47 1/2"	49 1/2"
38 5/8"	39 1/2"

AVAILABLE MATERIAL	
ALUMINUM	STEEL
.032"	22 GAUGE
	24 GAUGE
	26 GAUGE

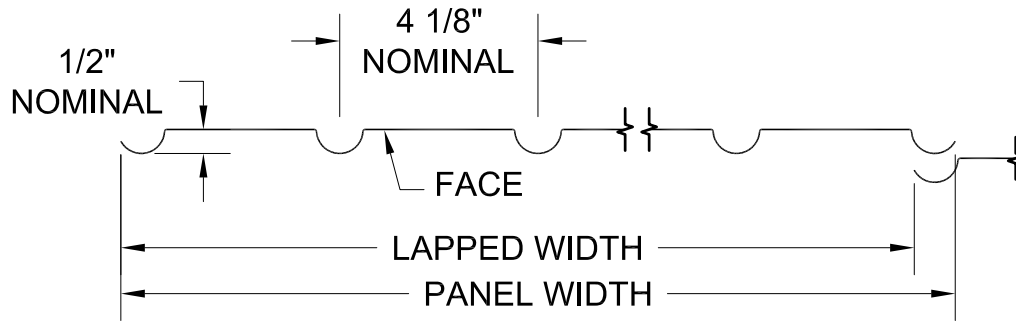
NOTE: ALL DIMENSIONS ARE NOMINAL AND WILL VARY WITH DIFFERENT THICKNESSES AND TYPES OF MATERIAL.

STANDARD FACTORY TOLERANCES:

LENGTH: ± 5/32"

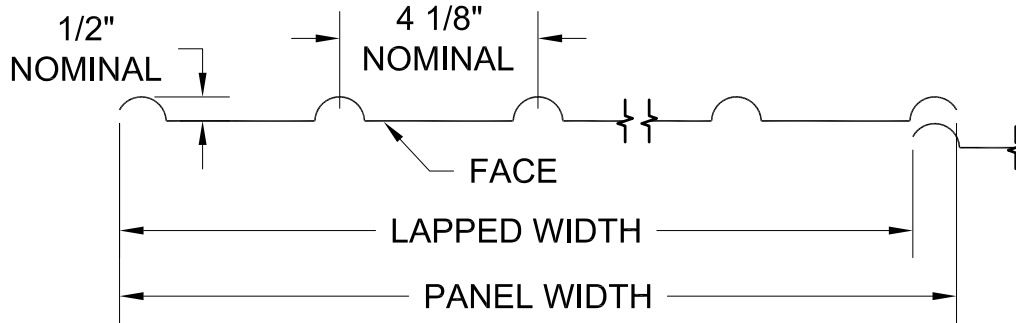
WIDTH: ± 3/16"

DIAGONAL: ± 3/16"



**EO - ALUMINUM / STEEL**  
 MAXIMUM LENGTH: 120"

NOMINAL DIMENSIONS	
LAPPED WIDTH	PANEL WIDTH
53 3/4"	54 3/4"



**EI - ALUMINUM / STEEL**  
 MAXIMUM LENGTH: 120"

AVAILABLE MATERIAL	
ALUMINUM	STEEL
.032"	24 GAUGE
	26 GAUGE

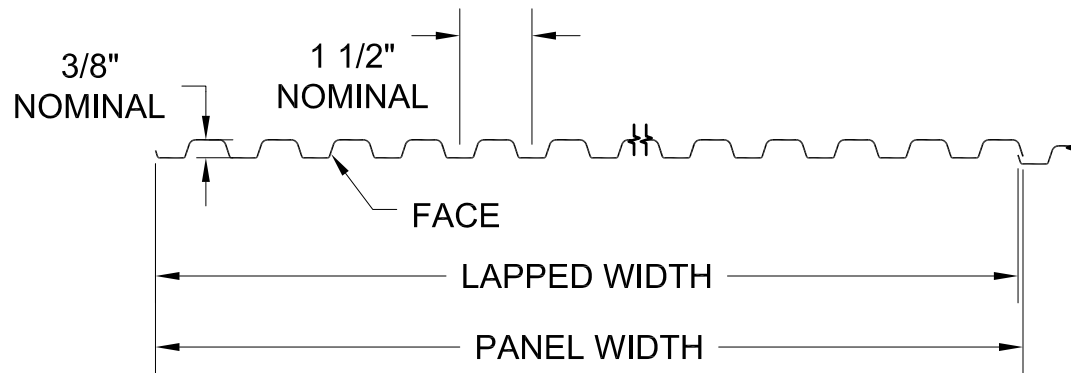
NOTE: ALL DIMENSIONS ARE NOMINAL AND WILL VARY WITH DIFFERENT THICKNESSES AND TYPES OF MATERIAL.

STANDARD FACTORY TOLERANCES:

LENGTH: ± 5/32"

WIDTH: ± 3/16"

DIAGONAL: ± 3/16"



**ALUMINUM / STEEL**  
 MAXIMUM LENGTH: 120"

NOMINAL DIMENSIONS	
LAPPED WIDTH	PANEL WIDTH
39"	39 1/4"
49 7/8"	50"

AVAILABLE MATERIAL	
ALUMINUM	STEEL
.032"	24 GAUGE
	26 GAUGE

NOTE: ALL DIMENSIONS ARE NOMINAL AND WILL VARY WITH DIFFERENT THICKNESSES AND TYPES OF MATERIAL.

STANDARD FACTORY TOLERANCES:

LENGTH: ± 5/32"

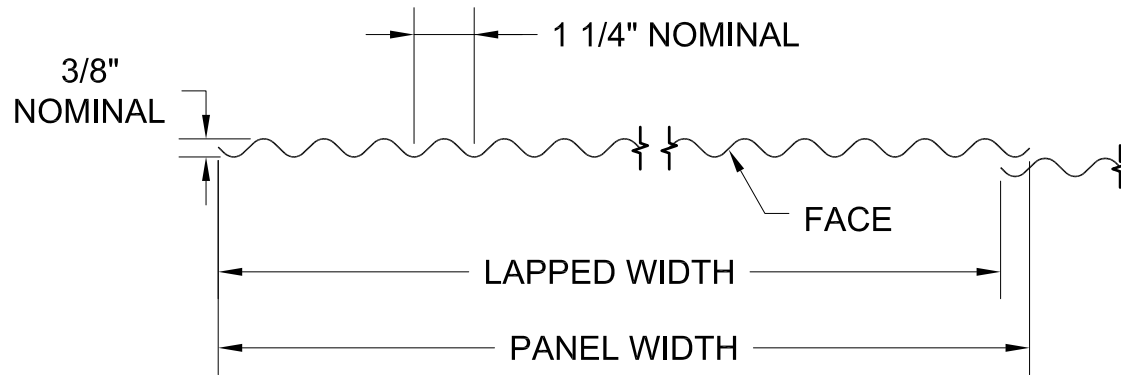
WIDTH: ± 3/16"

DIAGONAL: ± 3/16"

**GORDON**  
 ARCHITECTURAL+ENGINEERED SOLUTIONS

5023 Hazel Jones Rd.  
 Bossier City, LA 71111  
 800.747.8954  
 GORDON-INC.COM  
 sales@gordon-inc.com

**CEILINGS**  
**CORRUGATED - PANELS - CUSTOM**  
**PATTERN "F" PANELS**



**ALUMINUM / STEEL**  
 MAXIMUM LENGTH: 144"

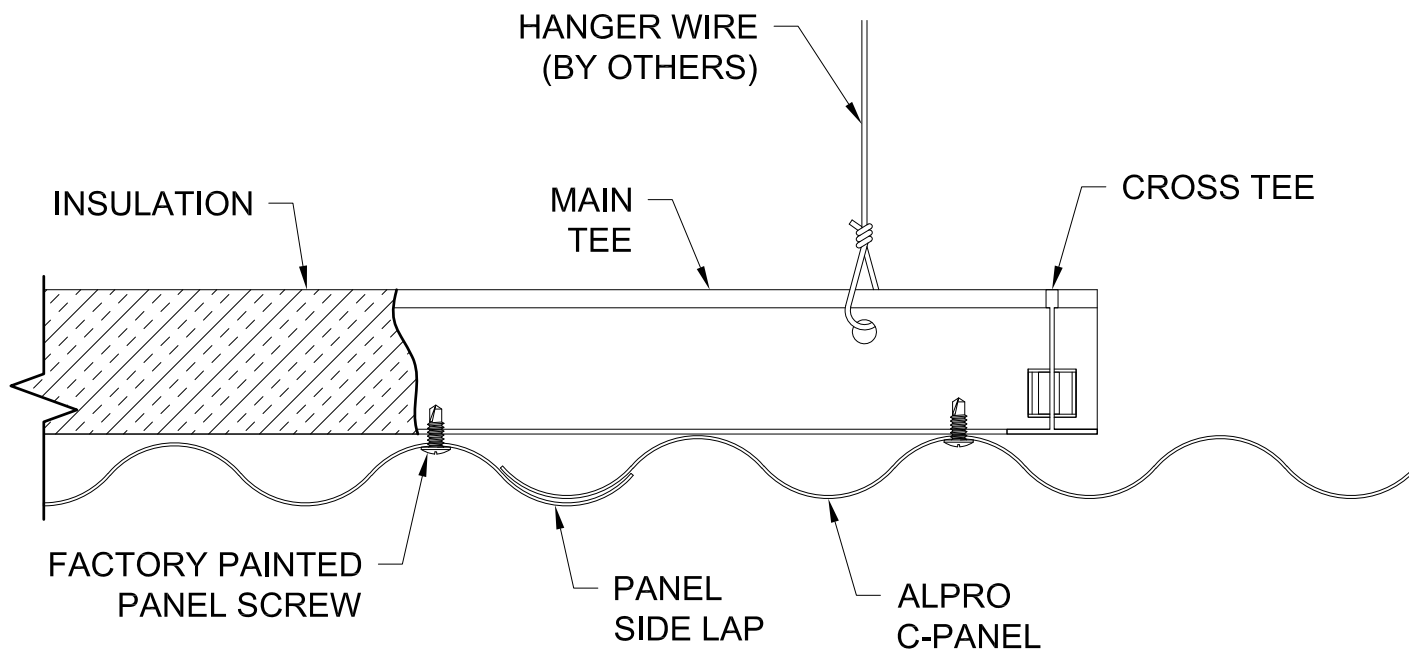
NOMINAL DIMENSIONS	
LAPPED WIDTH	PANEL WIDTH
40 1/2"	41 5/8"
51"	52"

AVAILABLE MATERIAL	
ALUMINUM	STEEL
.032"	22 GAUGE
	24 GAUGE
	26 GAUGE

NOTE: ALL DIMENSIONS ARE NOMINAL AND WILL VARY WITH DIFFERENT THICKNESSES AND TYPES OF MATERIAL.

STANDARD FACTORY TOLERANCES:

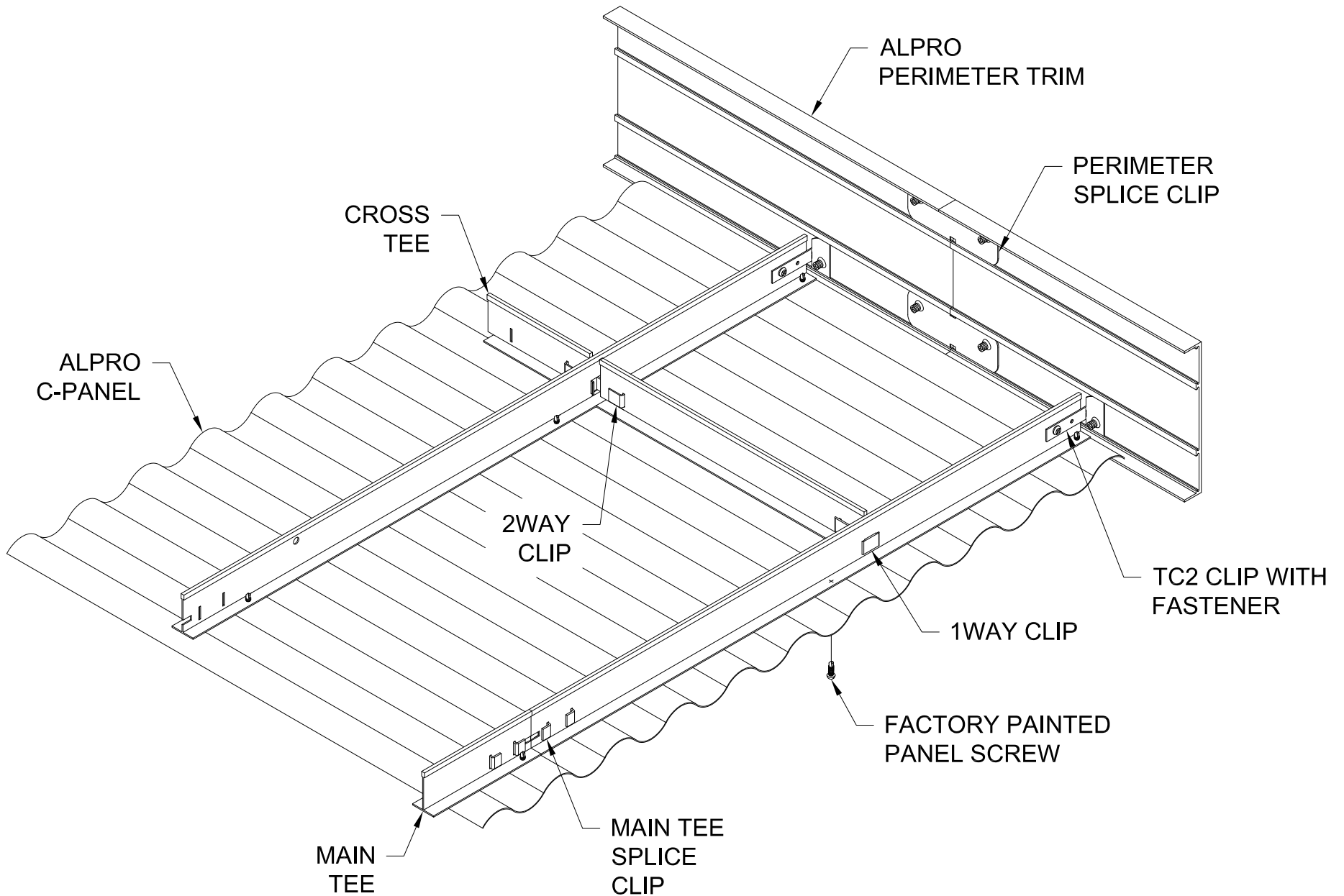
- LENGTH: ± 5/32"
- WIDTH: ± 3/16"
- DIAGONAL: ± 3/16"



**GORDON**  
ARCHITECTURAL+ENGINEERED SOLUTIONS

© 5023 Hazel Jones Rd.  
Bossier City, LA 71111  
800.747.8954  
GORDON-INC.COM  
sales@gordon-inc.com

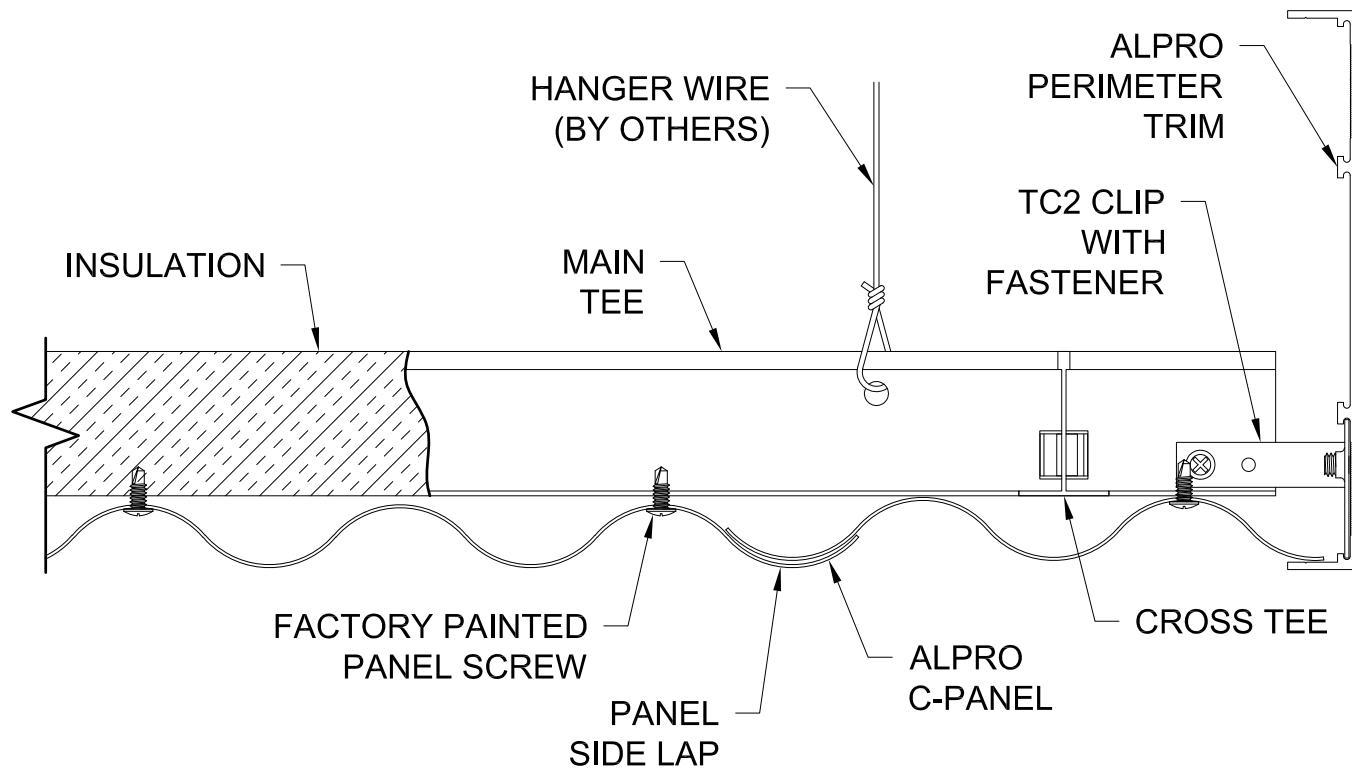
CEILINGS  
CORRUGATED - PANELS - CUSTOM  
SIDE SECTION

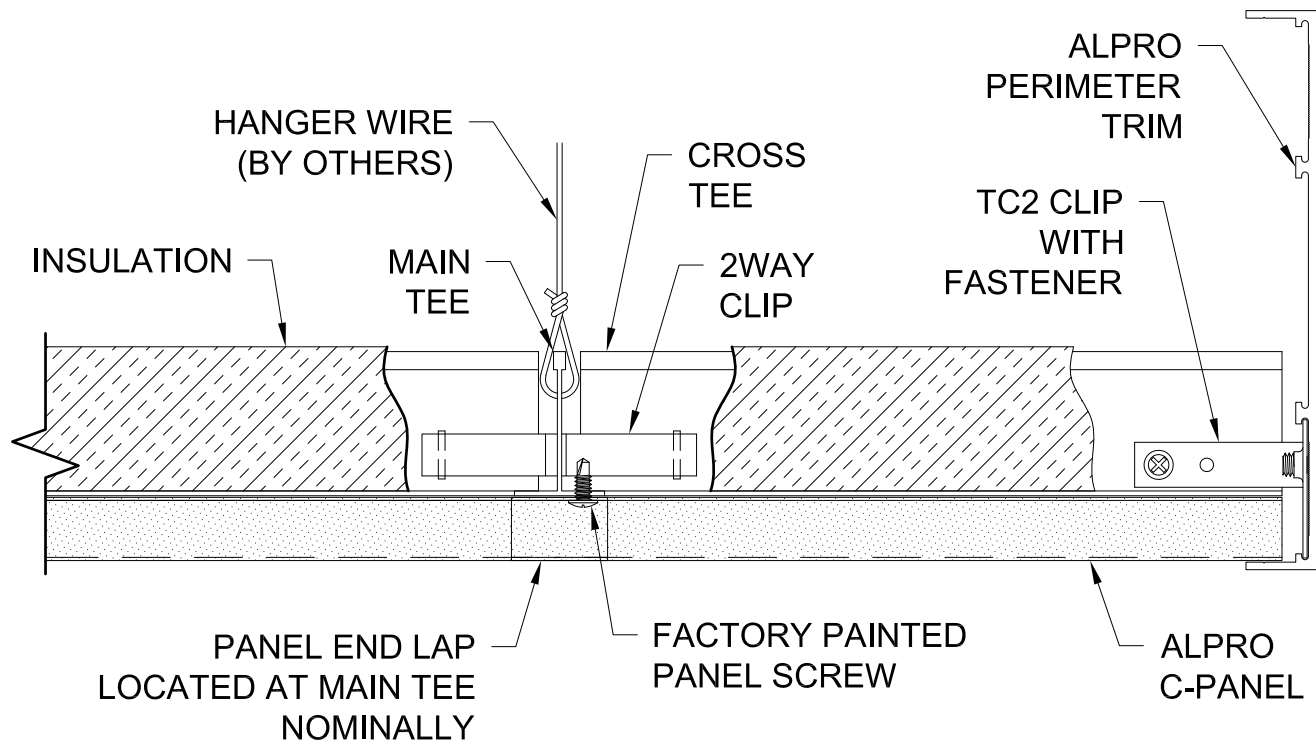


**GORDON**®  
 ARCHITECTURAL+ENGINEERED SOLUTIONS

5023 Hazel Jones Rd.  
 Bossier City, LA 71111  
 800.747.8954  
 GORDON-INC.COM  
 sales@gordon-inc.com

CEILINGS  
 CORRUGATED - PANELS - CUSTOM  
 PERIMETER TRIM ISOMETRIC VIEW

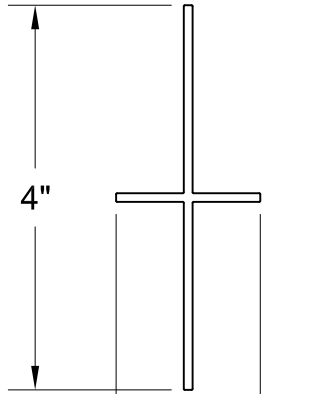




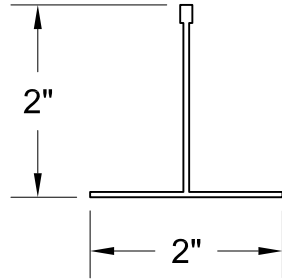
**GORDON**  
 ARCHITECTURAL+ENGINEERED SOLUTIONS

© 5023 Hazel Jones Rd.  
 Bossier City, LA 71111  
 800.747.8954  
 GORDON-INC.COM  
 sales@gordon-inc.com

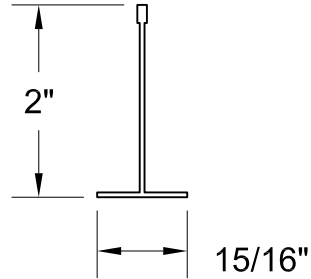
CEILINGS  
 CORRUGATED - PANELS - CUSTOM  
 PERIMETER TRIM END SECTION



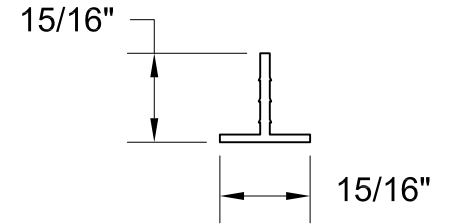
AMT-40PLUS



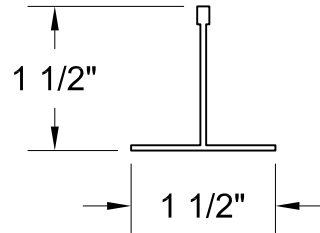
AMT-20



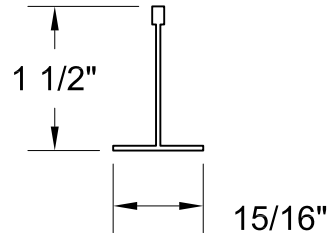
AMT-7



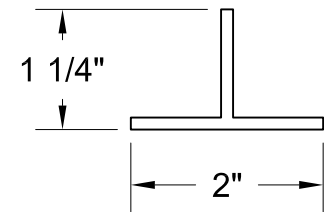
AMT-MOD



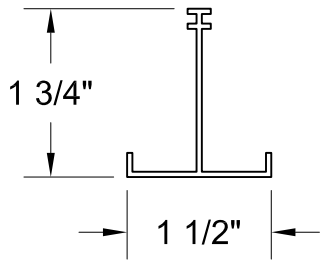
AMT-15



AMT-6



AMT-CAS

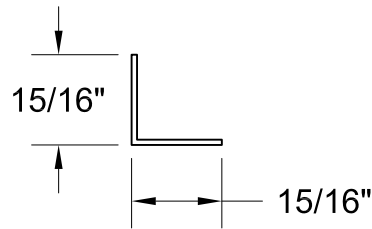


ARG-15MT

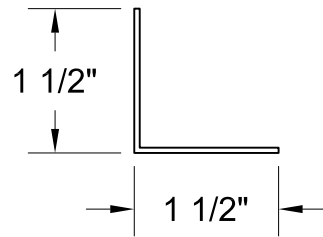
**GORDON**  
ARCHITECTURAL+ENGINEERED SOLUTIONS

5023 Hazel Jones Rd.  
Bossier City, LA 71111  
800.747.8954  
GORDON-INC.COM  
sales@gordon-inc.com

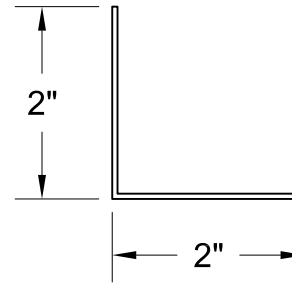
CEILINGS  
CORRUGATED - PANELS - CUSTOM  
GRID PROFILES



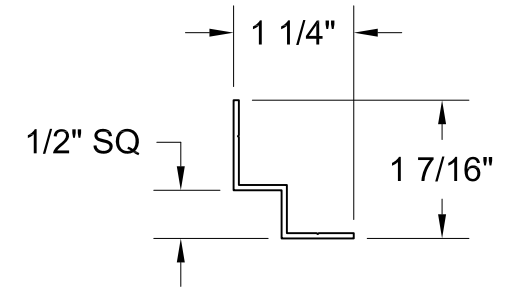
AWA-2



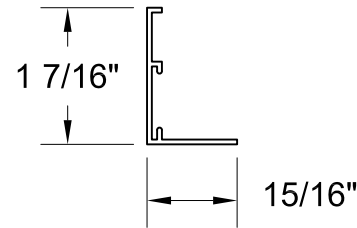
AWA-15



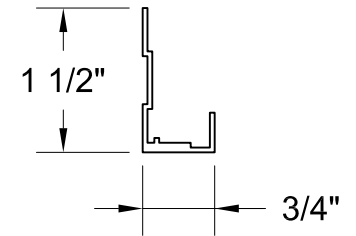
AWA-20



AWA-3-50



ACWA-4

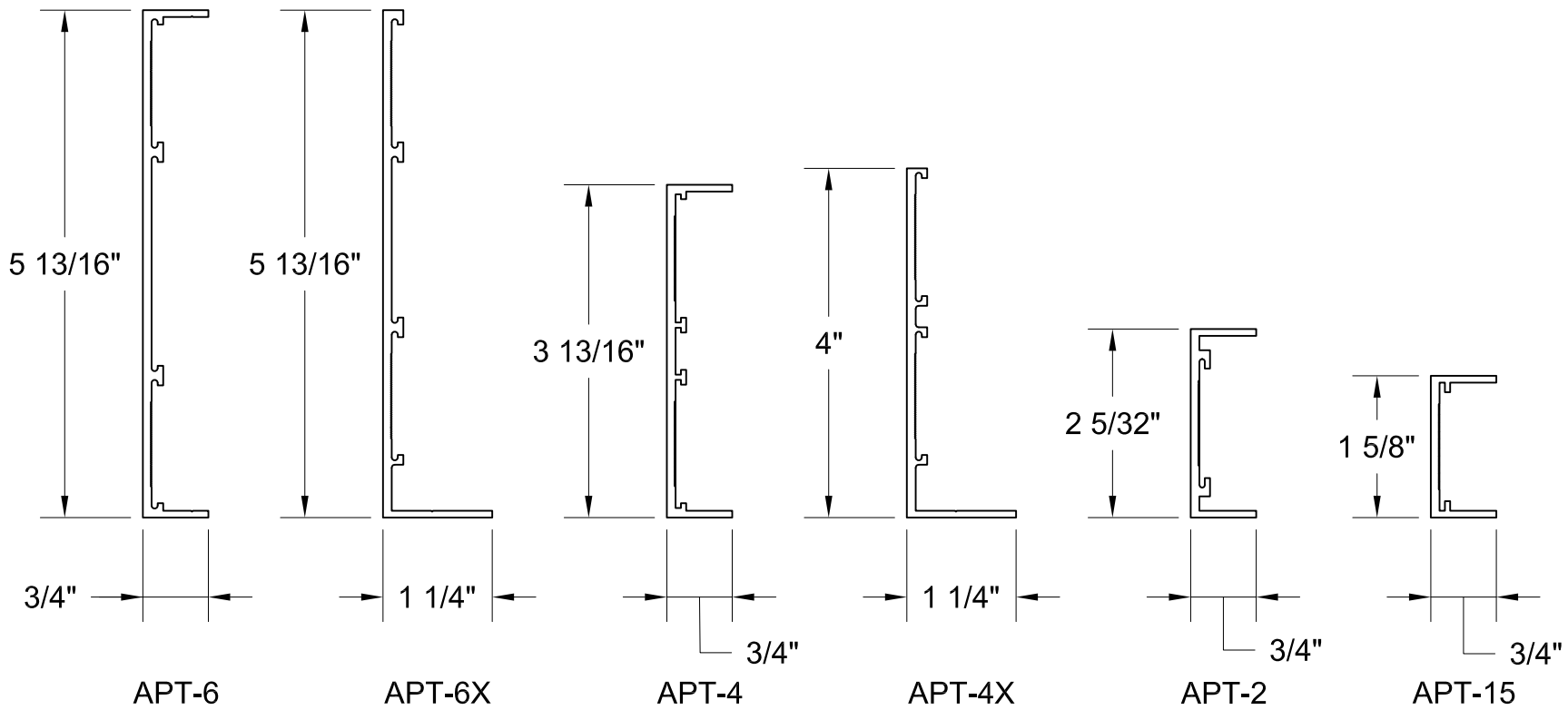


ARG-15WA

**GORDON**®  
ARCHITECTURAL+ENGINEERED SOLUTIONS

5023 Hazel Jones Rd.  
Bossier City, LA 71111  
800.747.8954  
GORDON-INC.COM  
sales@gordon-inc.com

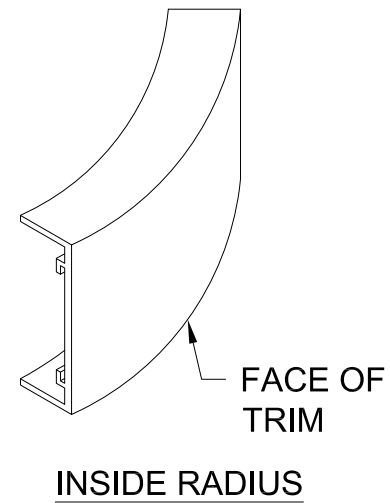
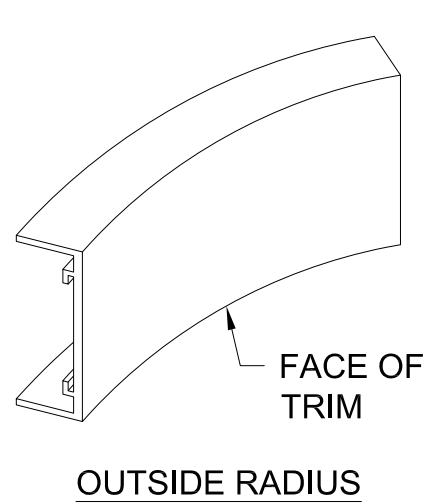
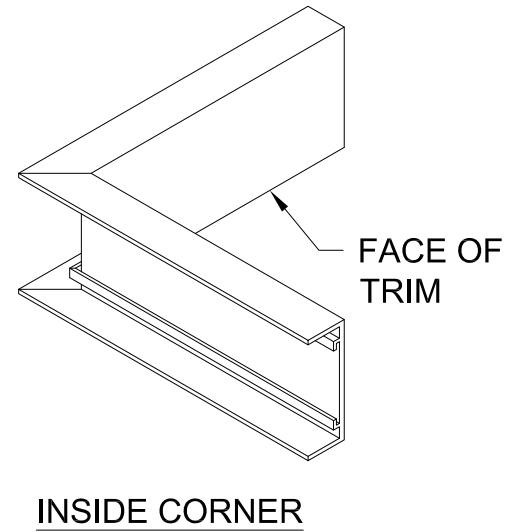
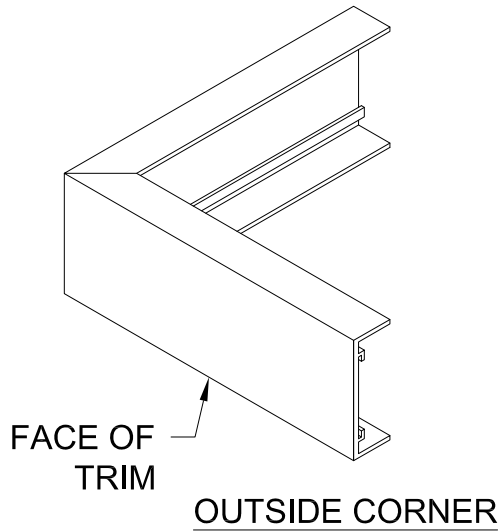
CEILINGS  
CORRUGATED - PANELS - CUSTOM  
ANGLE PROFILES



**GORDON**  
ARCHITECTURAL+ENGINEERED SOLUTIONS

© 5023 Hazel Jones Rd.  
Bossier City, LA 71111  
800.747.8954  
GORDON-INC.COM  
sales@gordon-inc.com

CEILINGS  
CORRUGATED - PANELS - CUSTOM  
PERIMETER TRIM PROFILES



**GORDON**®  
ARCHITECTURAL+ENGINEERED SOLUTIONS

5023 Hazel Jones Rd.  
Bossier City, LA 71111  
800.747.8954  
GORDON-INC.COM  
sales@gordon-inc.com

CEILING  
CORRUGATED - PANELS - CUSTOM  
CUSTOM FABRICATION