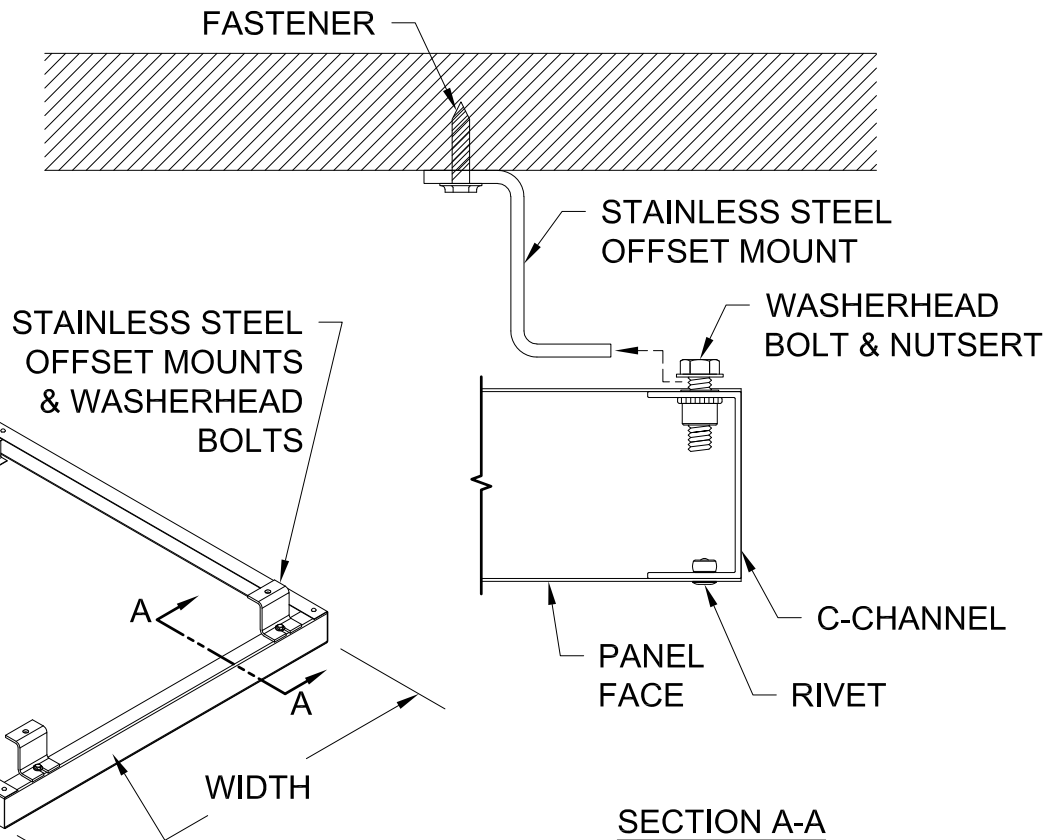
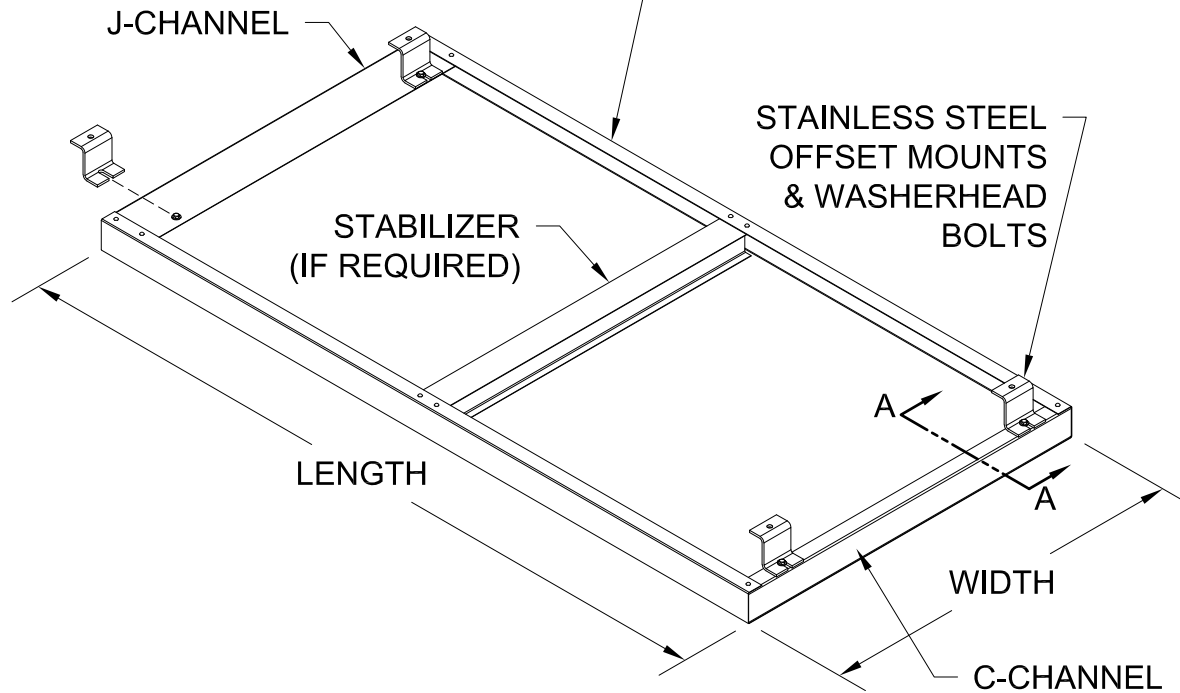


GORDON[®]
ARCHITECTURAL+ENGINEERED SOLUTIONS

5023 Hazel Jones Rd.
Bossier City, LA 71111
800.747.8954
GORDON-INC.COM
sales@gordon-inc.com

**CEILING
CORRUGATED - BAFFLES - MOUNTED
Z-CLIP INSTALLATION**

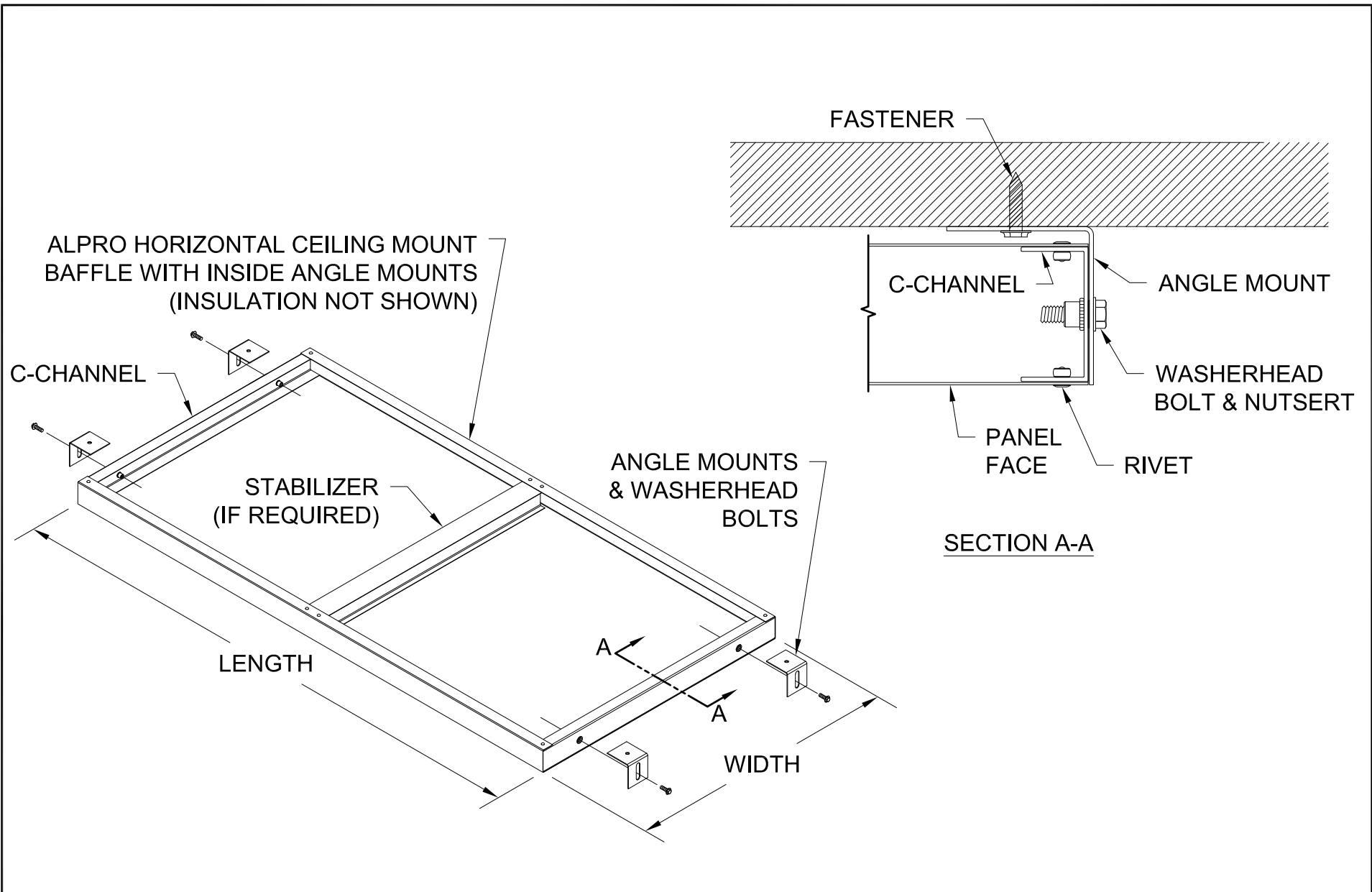
ALPRO HORIZONTAL CEILING MOUNT
BAFFLE WITH STAINLESS STEEL OFFSET
MOUNTS (INSULATION NOT SHOWN)



GORDON[®]
ARCHITECTURAL+ENGINEERED SOLUTIONS

5023 Hazel Jones Rd.
Bossier City, LA 71111
800.747.8954
GORDON-INC.COM
sales@gordon-inc.com

CEILING
CORRUGATED - BAFFLES - MOUNTED
OFFSET SS INSTALLATION

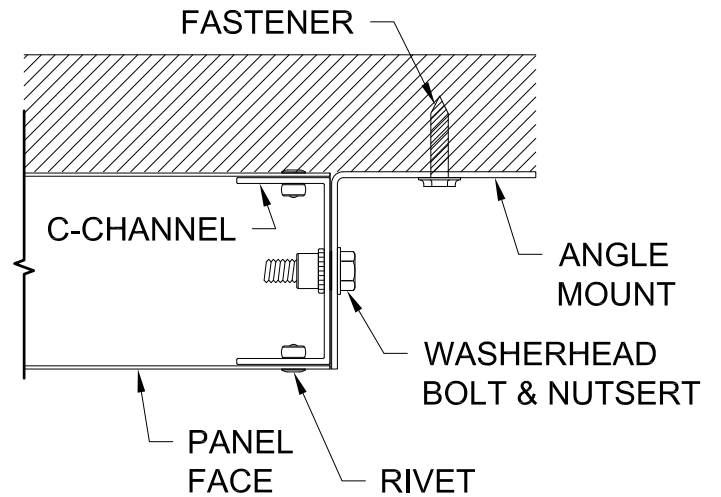
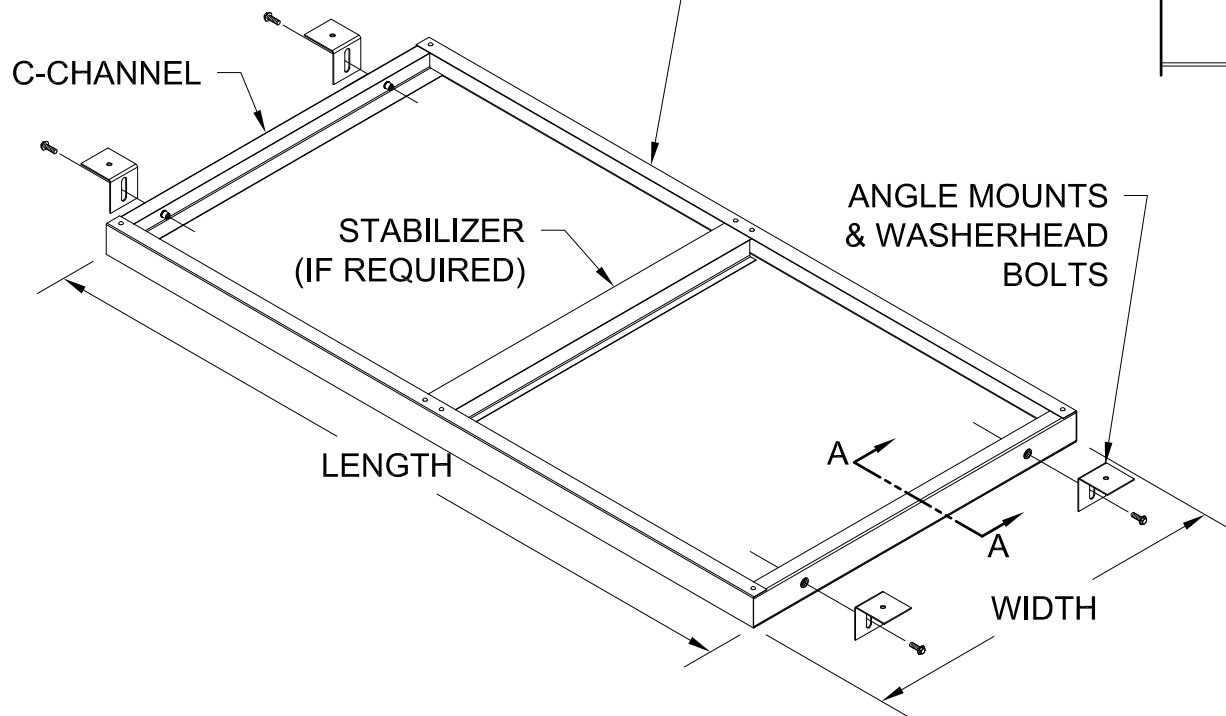


GORDON[®]
ARCHITECTURAL+ENGINEERED SOLUTIONS

5023 Hazel Jones Rd.
Bossier City, LA 71111
800.747.8954
GORDON-INC.COM
sales@gordon-inc.com

CEILING
CORRUGATED - BAFFLES - MOUNTED
INSIDE ANGLE INSTALLATION

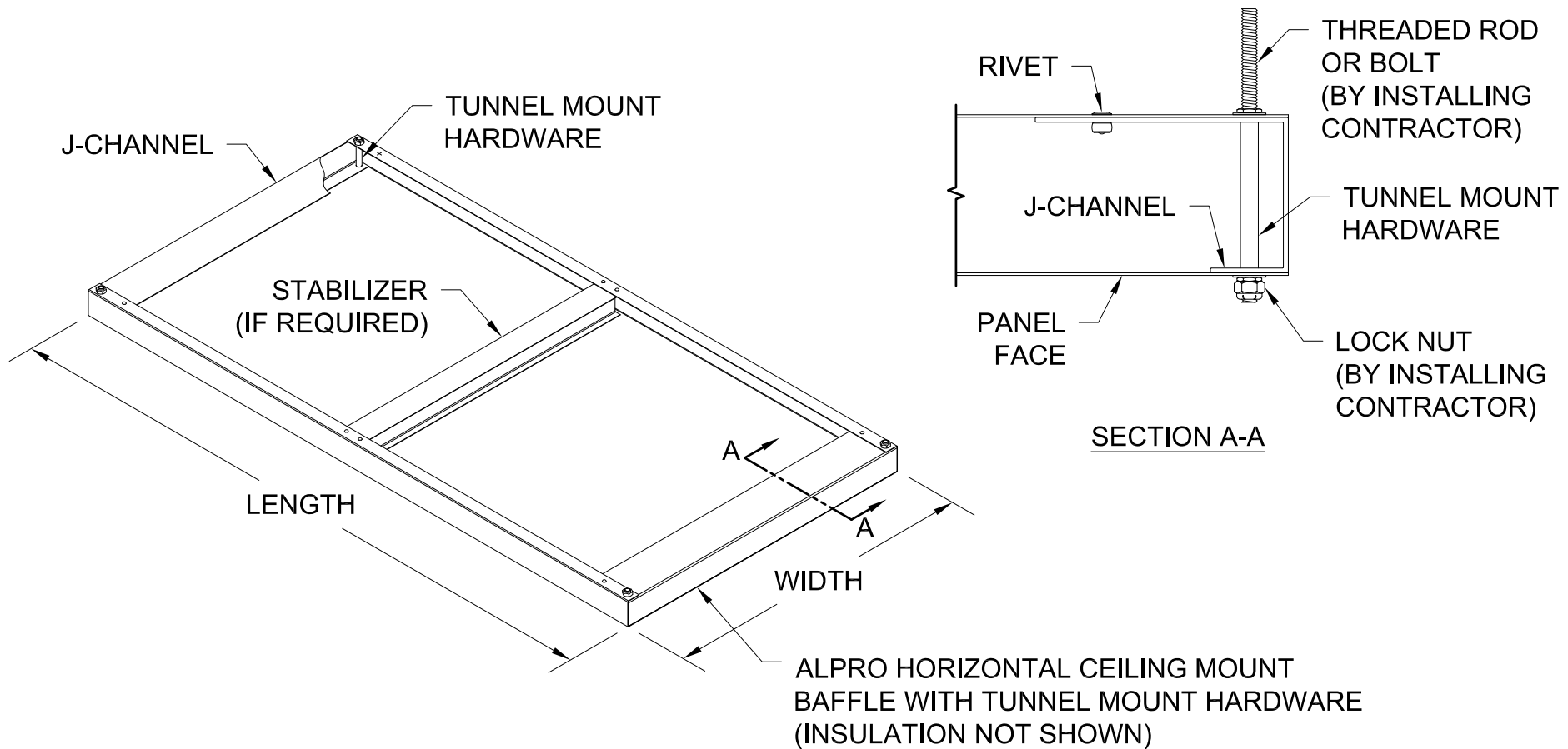
ALPRO HORIZONTAL CEILING MOUNT
BAFFLE WITH OUTSIDE ANGLE MOUNTS
(INSULATION NOT SHOWN)



GORDON[®]
ARCHITECTURAL+ENGINEERED SOLUTIONS

5023 Hazel Jones Rd.
Bossier City, LA 71111
800.747.8954
GORDON-INC.COM
sales@gordon-inc.com

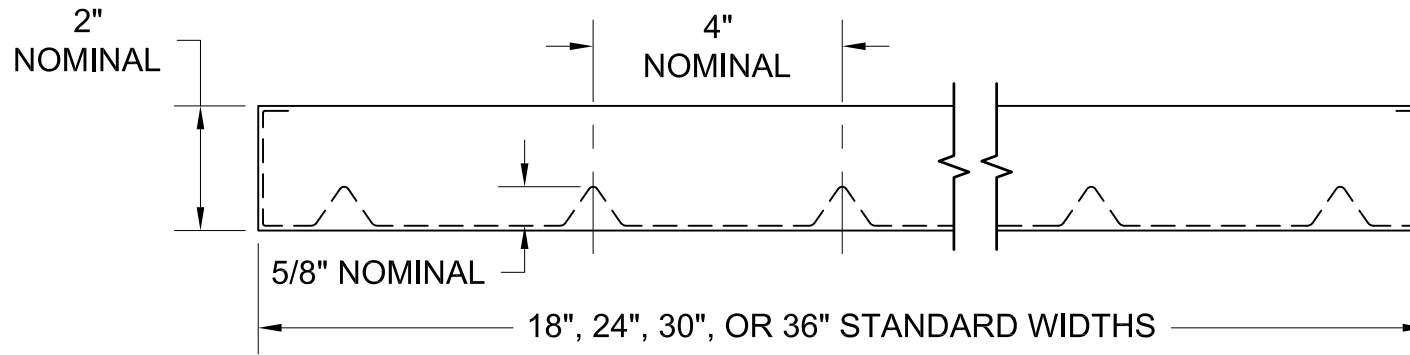
CEILING
CORRUGATED - BAFFLES - MOUNTED
OUTSIDE ANGLE INSTALLATION



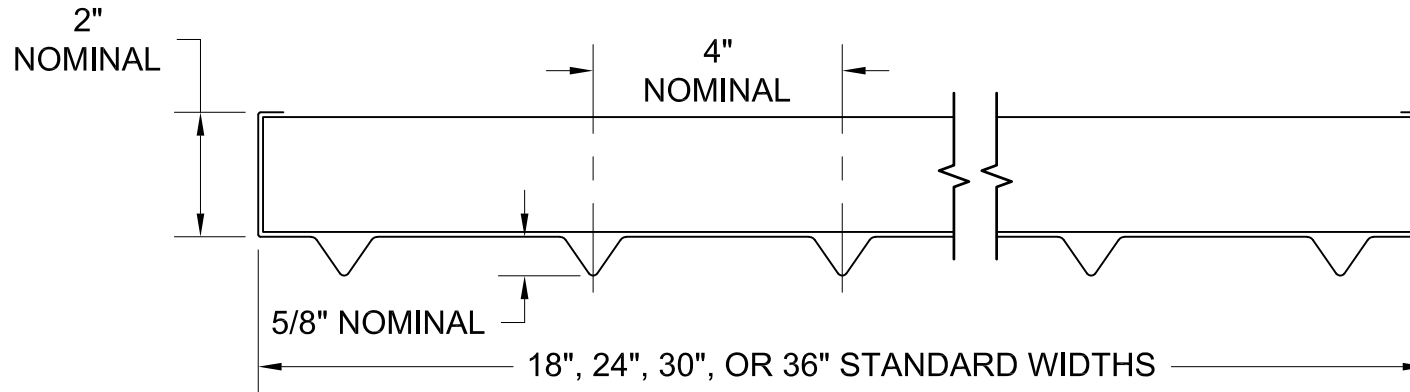
GORDON[®]
ARCHITECTURAL+ENGINEERED SOLUTIONS

5023 Hazel Jones Rd.
Bossier City, LA 71111
800.747.8954
GORDON-INC.COM
sales@gordon-inc.com

CEILING
CORRUGATED - BAFFLES - MOUNTED
TUNNEL INSTALLATION



AI-BAF
ALUMINUM / STEEL
 MAXIMUM LENGTH: 120"



AO-BAF
ALUMINUM / STEEL
 MAXIMUM LENGTH: 120"

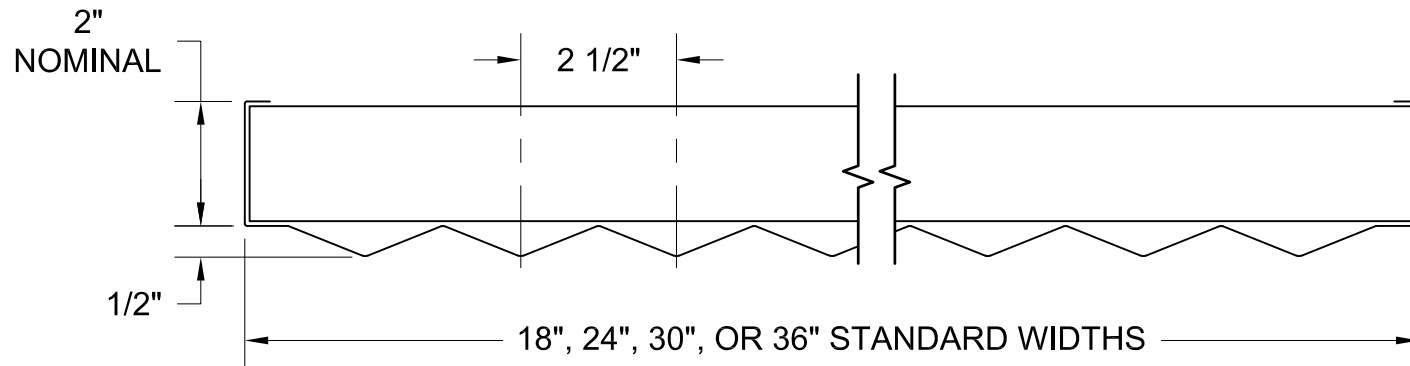
AVAILABLE MATERIAL	
ALUMINUM	STEEL
.032"	24 GAUGE
	26 GAUGE

NOTE: ALL DIMENSIONS SHOWN ARE NOMINAL.
 STANDARD FACTORY TOLERANCES:
 LENGTH: $\pm 1/16"$
 WIDTH: $+0" -1/16"$

GORDON®
 ARCHITECTURAL+ENGINEERED SOLUTIONS

5023 Hazel Jones Rd.
 Bossier City, LA 71111
 800.747.8954
 GORDON-INC.COM
 sales@gordon-inc.com

CEILING
CORRUGATED - BAFFLES - MOUNTED
PATTERN "A"



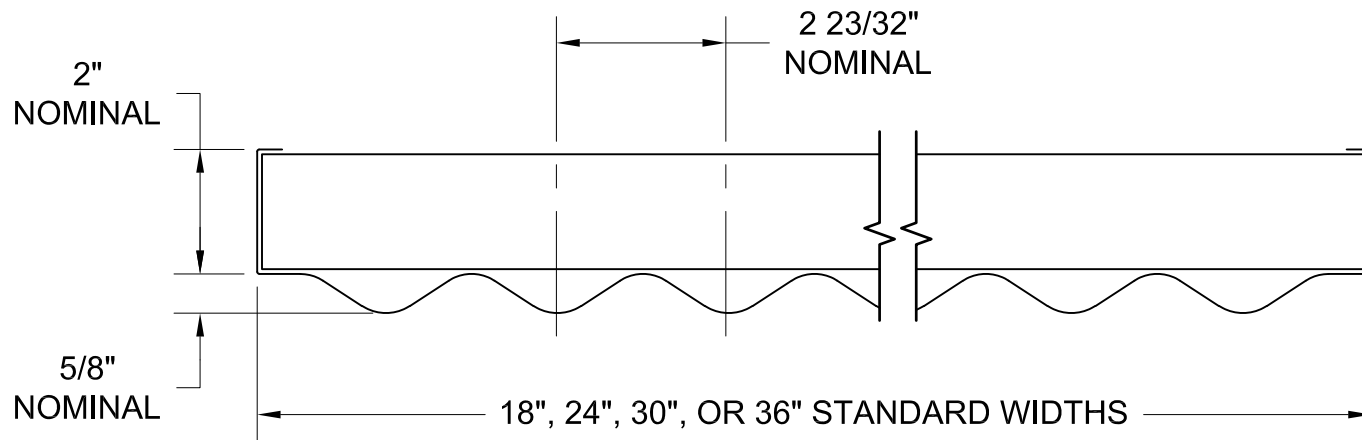
B-BAF
ALUMINUM / STEEL
 MAXIMUM LENGTH: 120"

AVAILABLE MATERIAL	
ALUMINUM	STEEL
.032"	22 GAUGE
	24 GAUGE
	26 GAUGE

NOTE: ALL DIMENSIONS SHOWN ARE NOMINAL.
 STANDARD FACTORY TOLERANCES:
 LENGTH: $\pm 1/16"$
 WIDTH: +0" -1/16"

GORDON® ARCHITECTURAL+ENGINEERED SOLUTIONS
 5023 Hazel Jones Rd.
 Bossier City, LA 71111
 800.747.8954
 GORDON-INC.COM
 sales@gordon-inc.com

CEILING
CORRUGATED - BAFFLES - MOUNTED
PATTERN "B"



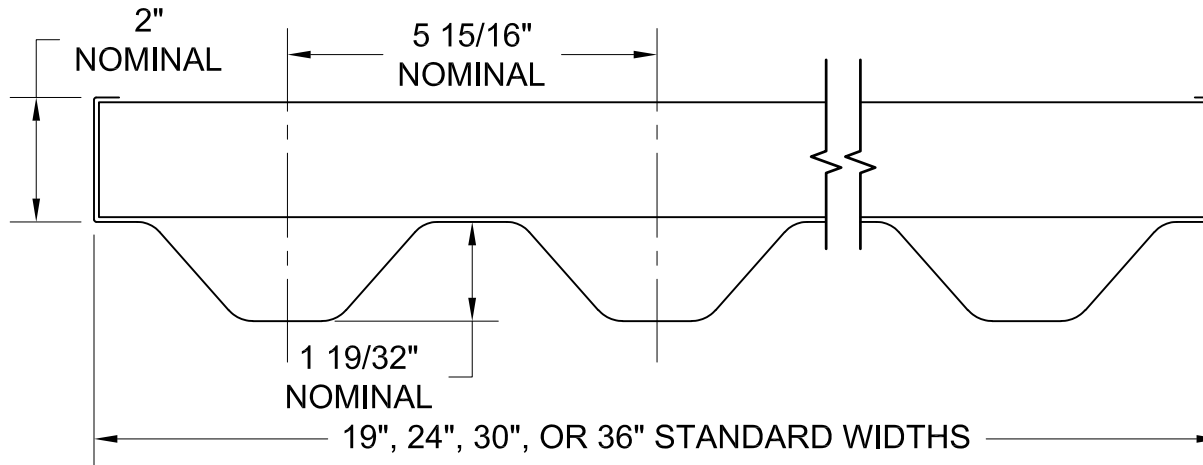
C-BAF
ALUMINUM / STEEL
 MAXIMUM LENGTH: 120"

AVAILABLE MATERIAL	
ALUMINUM	STEEL
.032"	22 GAUGE
	24 GAUGE
	26 GAUGE

NOTE: ALL DIMENSIONS SHOWN ARE NOMINAL.
 STANDARD FACTORY TOLERANCES:
 LENGTH: $\pm 1/16$ "
 WIDTH: +0" -1/16"

GORDON® ARCHITECTURAL+ENGINEERED SOLUTIONS
 5023 Hazel Jones Rd.
 Bossier City, LA 71111
 800.747.8954
 GORDON-INC.COM
 sales@gordon-inc.com

CEILING
CORRUGATED - BAFFLES - MOUNTED
PATTERN "C"



D-BAF
ALUMINUM / STEEL
 MAXIMUM LENGTH: 120"

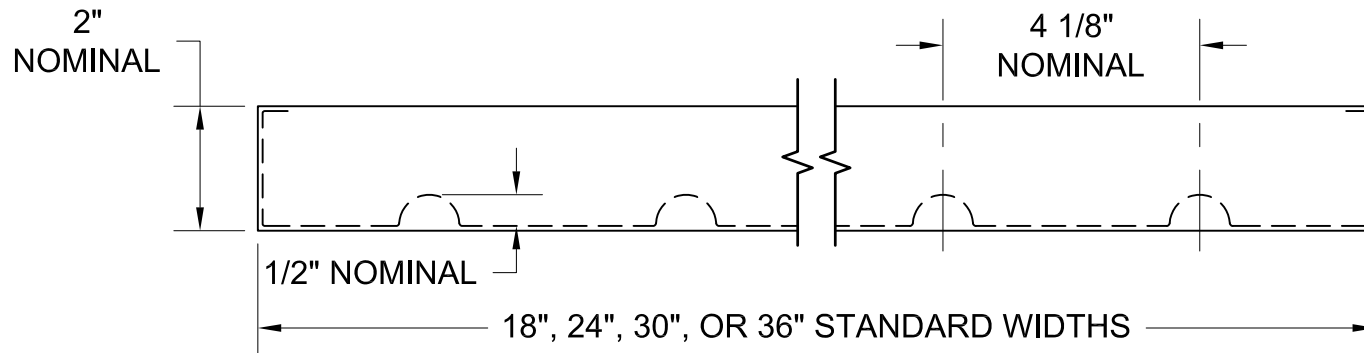
AVAILABLE MATERIAL	
ALUMINUM	STEEL
.032"	22 GAUGE
	24 GAUGE
	26 GAUGE

NOTE: ALL DIMENSIONS SHOWN ARE NOMINAL.
 STANDARD FACTORY TOLERANCES:
 LENGTH: $\pm 1/16"$
 WIDTH: $+0" -1/16"$

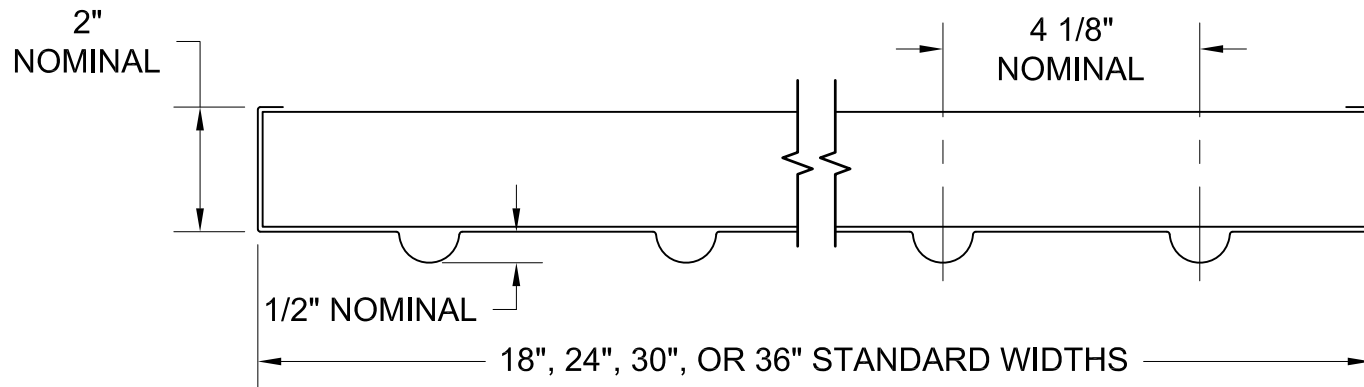
GORDON®
 ARCHITECTURAL+ENGINEERED SOLUTIONS

5023 Hazel Jones Rd.
 Bossier City, LA 71111
 800.747.8954
 GORDON-INC.COM
 sales@gordon-inc.com

CEILING
CORRUGATED - BAFFLES - MOUNTED
PATTERN "D"



EI-BAF
ALUMINUM / STEEL
 MAXIMUM LENGTH: 120"



EO-BAF
ALUMINUM / STEEL
 MAXIMUM LENGTH: 120"

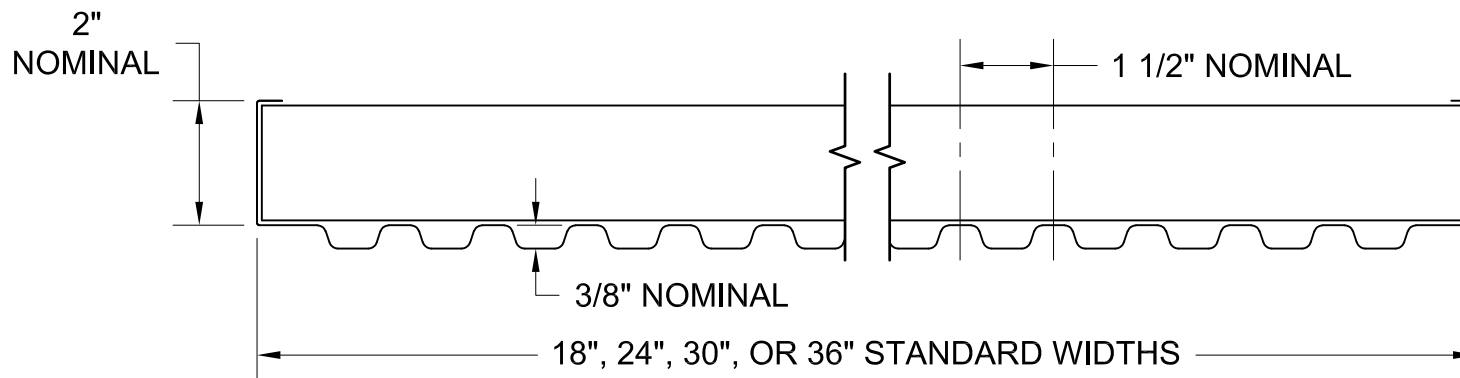
AVAILABLE MATERIAL	
ALUMINUM	STEEL
.032"	24 GAUGE
	26 GAUGE

NOTE: ALL DIMENSIONS SHOWN ARE NOMINAL.
 STANDARD FACTORY TOLERANCES:
 LENGTH: ± 1/16"
 WIDTH: +0" -1/16"

GORDON[®]
 ARCHITECTURAL+ENGINEERED SOLUTIONS

5023 Hazel Jones Rd.
 Bossier City, LA 71111
 800.747.8954
 GORDON-INC.COM
 sales@gordon-inc.com

CEILING
CORRUGATED - BAFFLES - MOUNTED
PATTERN "E"



F-BAF
ALUMINUM / STEEL
 MAXIMUM LENGTH: 120"

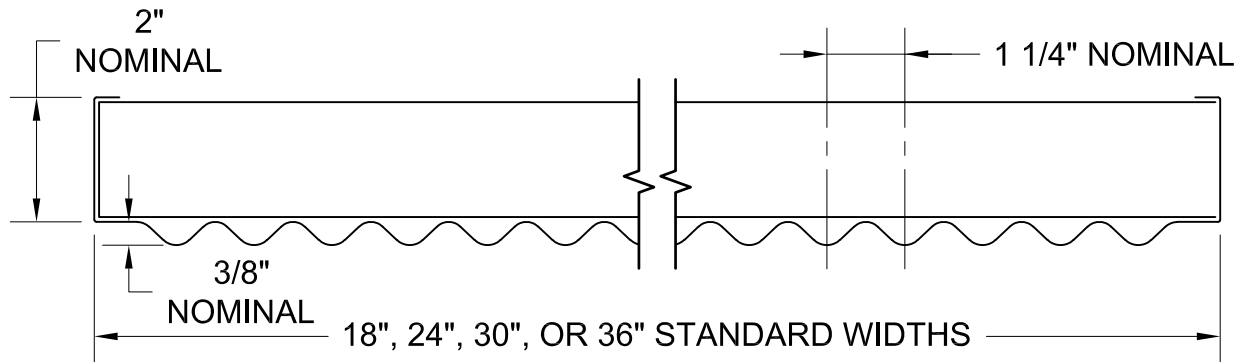
NOTE: ALL DIMENSIONS SHOWN ARE NOMINAL.
 STANDARD FACTORY TOLERANCES:
 LENGTH: $\pm 1/16"$
 WIDTH: $+0" -1/16"$

AVAILABLE MATERIAL	
ALUMINUM	STEEL
.032"	24 GAUGE
	26 GAUGE

GORDON[®]
 ARCHITECTURAL+ENGINEERED SOLUTIONS

5023 Hazel Jones Rd.
 Bossier City, LA 71111
 800.747.8954
 GORDON-INC.COM
 sales@gordon-inc.com

CEILING
CORRUGATED - BAFFLES - MOUNTED
PATTERN "F"



J-BAF
ALUMINUM / STEEL
 MAXIMUM LENGTH: 120"

AVAILABLE MATERIAL	
ALUMINUM	STEEL
.032"	22 GAUGE
	24 GAUGE
	26 GAUGE

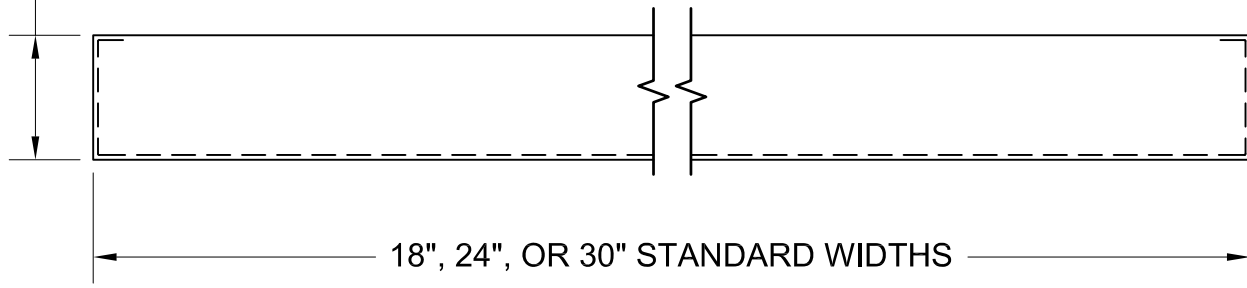
NOTE: ALL DIMENSIONS SHOWN ARE NOMINAL.
 STANDARD FACTORY TOLERANCES:
 LENGTH: ± 1/16"
 WIDTH: +0" -1/16"

GORDON®
 ARCHITECTURAL+ENGINEERED SOLUTIONS

5023 Hazel Jones Rd.
 Bossier City, LA 71111
 800.747.8954
 GORDON-INC.COM
 sales@gordon-inc.com

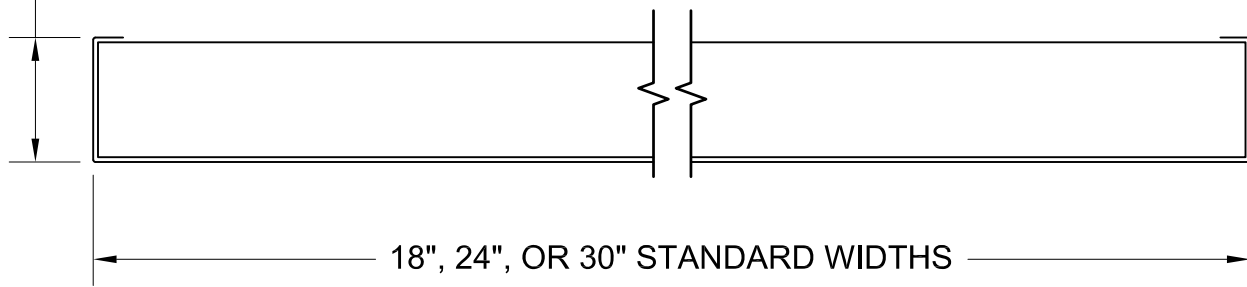
CEILING
CORRUGATED - BAFFLES - MOUNTED
PATTERN "J"

2"
NOMINAL



FLAT-BAF-I
ALUMINUM / STEEL
 MAXIMUM LENGTH: 120"

2"
NOMINAL



FLAT-BAF-O
ALUMINUM / STEEL
 MAXIMUM LENGTH: 120"

NOTE: ALL DIMENSIONS SHOWN ARE NOMINAL.
 STANDARD FACTORY TOLERANCES:
 LENGTH: ± 1/16"
 WIDTH: +0" -1/16"

AVAILABLE MATERIAL	
ALUMINUM	STEEL
.063"	22 GAUGE