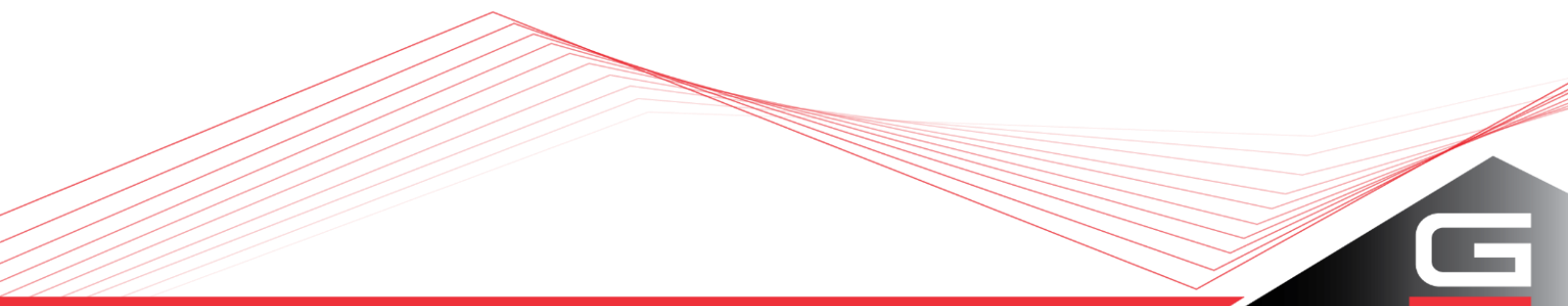


LG Grid
Cleanroom Grid

Installation Instructions



PART 1 - STORAGE AND HANDLING

1. After receiving materials, transfer material immediately to a safe, dry, climate-controlled place where it will not be damaged during storage.
 - a. Do not store Gordon, Inc. product or components outdoors.
 - b. Store Crates and / or Cartons flat in a dry location away from activity.
 - c. Do not store near corrosive material such as acids, salt, fertilizer, etc.
 - d. All materials should be protected during site storage to prevent damage to the finished work from other trades.
 - e. Store materials inside a well-insulated area, away from concrete and masonry and protected from the weather, moisture, soiling, abrasion, extreme temperatures and humidity.
 - f. Protect the strippable protective covering on metal panels from exposure to sunlight, heat, and high humidity.
 - g. Store product in Gordon's unopened packaging until installation of product.
 - h. Prevent contact with material that may cause discoloration, staining, or corrosion.
 - i. Store in flat, fully supported position.
 - j. Store to prevent twisting, bending, abrasion, scratching, and denting.
 - k. Do not drop or stand containers on edges or corners.
 - l. Gordon, Inc. components and systems are not packaged to receive the load of any other material stored or stacked upon it. Therefore, **DO NOT DOUBLE STACK OR STORE OTHER MATERIAL** on top of the packages or crates.
2. Inspect all material prior to installation. Do not install any substandard or unacceptable material. Gordon, Inc. will not be responsible for the cost of repair or removal, or costs resulting from removal of rejected material, or the installation of replacement material.
3. Material should be cleaned thoroughly prior to installation.

PART 2 - INSTALLATION

LG Series Grid shall be installed in accordance with ASTM C-636, "Installation of Metal Ceiling Suspension Systems for Acoustical Tile and Lay-In Ceilings". Below is the recommended installation sequence.

2.01 - APPLICABLE CODES AND STANDARDS FOR INSTALLATION

1. Project Specifications
2. Architect approved Shop Drawings
3. American Society for Testing and Materials (ASTM)
 - ASTM C-636: Installation of Metal Ceiling Suspension Systems for Acoustical Tile and Lay-In Ceilings

2.02 - SPECIAL TOOLS REQUIRED

- Channel-Lock or other adjustable-type pliers

2.03 - INSTALLATION SEQUENCE

Step 1:

Position the Perimeter Wall Angle, or Perimeter Tee, at the proper ceiling height. Beginning at the center of the wall and working out to the corners, attach the Wall Angle using conventional drywall fasteners such as screws or nails. Use the hanger wires in case of the Perimeter Tees to secure them in the required positions.

Step 2:

Once the Wall Angle, or Perimeter Tee, is installed, position the first run of Main Tees to the Wall Angle/Perimeter Tee running perpendicular to the Main Tee. Once the first Main Tee is in position, secure the Main Tee to the hanger wire spaced a maximum of 48" O.C.

Step 3:

After securing the Main Tee with the hanger wires, connect the Main Tee to the Wall Angle using 90ACA Clips and fasteners/screws. See Figure A for reference.

In case of the Perimeter Tees, use a LG 1-Way Clip to fasten the Main Tee to the Perimeter Tee. Insert the 1-Way Clip into the 1/2" x 1/2" square hole punched into the web of the Perimeter Tee. Tabs of the Clip should insert into the 1/8" x 1/2" vertical slots punched into the ends of the Main Tees. Bend the tabs of the Clip toward the ends of the Main Tees using finger pressure to start and then pinch flat using pliers. See Figure B for reference. Install the second Main Tee in the same manner.

Step 4:

Next splice the Main Tees together using the Main Tee Splice Clip. Tabs of the Clip should insert into the 1/8" x 1/2" vertical slots punched into the ends of the Main Tees. Bend the tabs of the Clip toward the ends of the Main Tees using finger pressure to start and then pinch flat using pliers. Then remove the paper release sheet from the gasket overhanging the ends of the Main Tees. Press the gasket into position, taking care that the gaskets touch and form a tight seal rim overhanging the ends as necessary. Additional Main Tees may now be installed in the same manner using a 4' Cross Tee as a spacer.

Step 5:

After at least two Main Tees are in place, install a 4' Cross Tee between the Main Tees. The milled back ends of the Cross Tees should fit up tightly onto the Main Tee. Remove the paper release sheet from the gasket on the ends of the Cross Tees exposing the adhesive. Press the gasket down onto the flange of the Main Tee making certain that the gaskets touch (trim the overhanging ends as necessary).

Step 6:

With a Cross Tee in place on one side of the Main Tee, insert the LG 2-Way Clip into the 1/2" x 1/2" square hole punched into the web of the Main Tee. Rotate the Clip into the hole and keep the Clip at an angle to the Cross Tee. Do not rotate the Clip back to the parallel position yet.

Step 7:

Repeat Step 4 above until two Cross Tees are in place on either side of the Main Tee. Now rotate the LG 2-Way Clip into parallel position with the Main Tee. The tabs of the Clip should insert into the 1/8" x 1/2" vertical slots punched into the webs of the Cross Tees. Start bending the tabs of the Clip toward the Main Tee using finger pressure at first, and then pinch flat using pliers.

Step 8:

Verify the position of the Cross Tees in relation to the Wall Angle, or Perimeter Tee. Once this alignment is verified, all of the Main Tees and all of the Cross Tees may be installed using the same method described above.

PART 3 - ILLUSTRATIONS

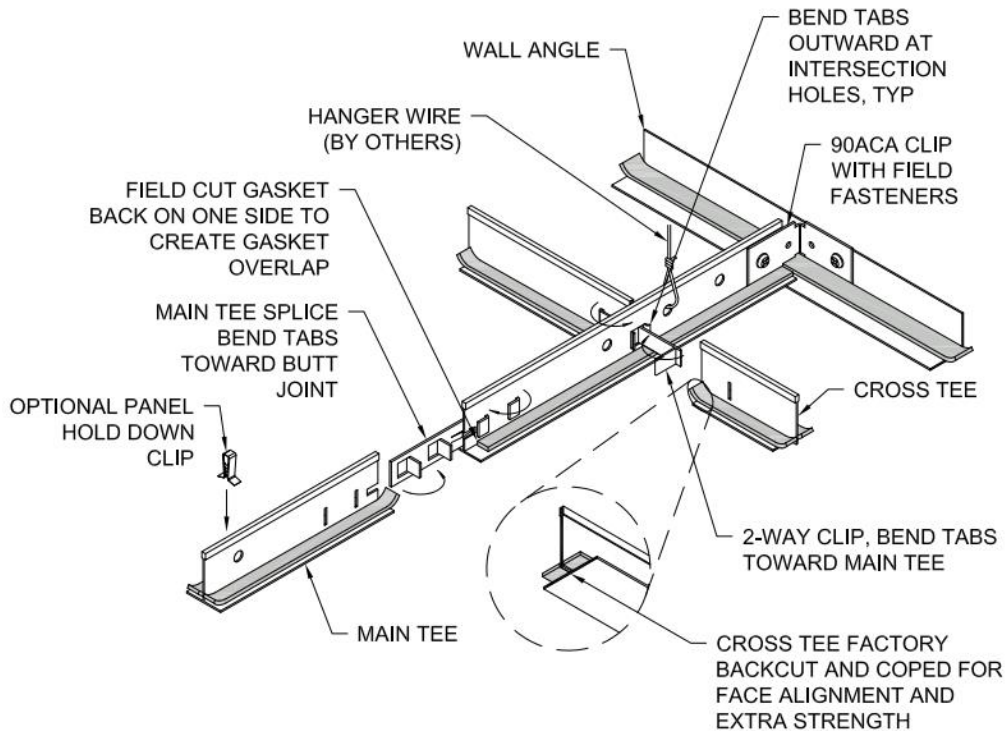


Figure A: *LG Series Grid with Wall Angle Condition*

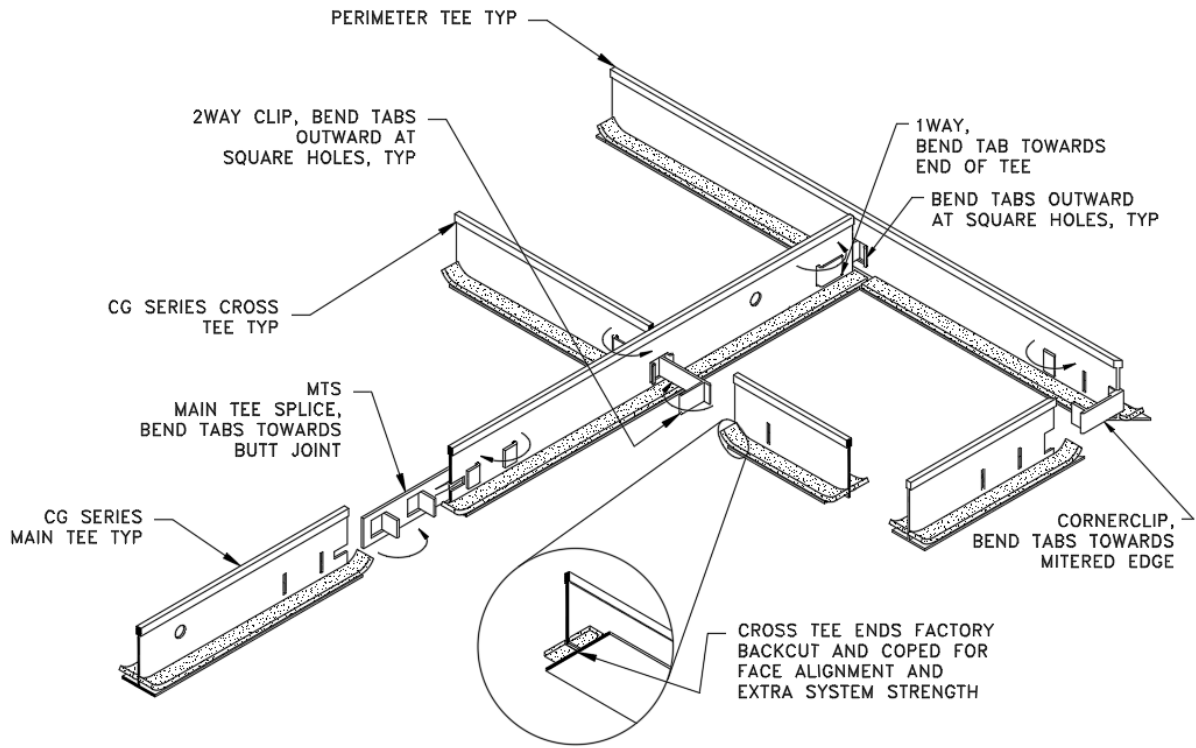


Figure B: *LG Series Grid with Perimeter Tee Condition*

GORDON[®]
ARCHITECTURAL+ENGINEERED SOLUTIONS

5023 HAZEL JONES ROAD
BOSSIER CITY, LA 71111
800-747-8954

WWW.GORDON-INC.COM
SALES@GORDON-INC.COM

