

WinLok™

EXTERIOR SOFFIT/FASCIA/SCREEN WALL SYSTEMS &
INTERIOR CEILING/WALL SYSTEMS



WinLok™

WinLok is an accessible soffit, fascia, and screen wall system for exterior applications and ceiling and wall system for interior applications. WinLok's revolutionary, patented connection system makes it one of the easiest systems to install in the industry.

DESIGN ELEMENTS

- Concealed Panel Attachment
- Point Accessible Systems
 - Monolithic Appearance with Concealed Panel Attachment
 - No holes in Panels required for Tool Access
- Secure Ceilings - provides restrictive access
 - Access only with Special Tool
- Maintenance Friendly
 - Soffit / Ceiling Panels are able to swing to one side, without removing panel fully from ceiling.
- Designed to meet extreme Design Loads with Project Specific Professional Engineering Stamped Calculations provided.
 - Hurricane Force Winds
 - Blast Loads
 - Snow Loads
 - Seismic Loads
- Heavy-Duty Extruded Aluminum Suspension System
- WinLok attachment clips provide a holding force of 100 lbs. per clip, when using 0.050" thick aluminum.
- Panels
 - Materials:
 - 0.040" - 0.188" thick aluminum
 - 20 gauge - 12 gauge Stainless Steel
 - Perforated or Non-Perforated
 - Flat Panel Shapes: Square, Rectangular, Triangular, Trapezoidal
 - Corrugated Options
 - Sizes: Up to 57" x 144"
- System Integration
 - Air Diffusers
 - Lighting
 - Flexhead² Sprinklers
- Ease of Installation reduces installation costs
 - Panels Snap into WinLok Clips
 - NO Camlocks Required
- Safety Devices Included
 - Ceiling and Soffit System utilize vertical torsion springs to prevent panels from falling when accessing
 - Wall Systems utilize safety hooks to prevent panels from falling when accessing
- Acoustical Media Available
- Patented System: US 10,113,317 B1
- Contributes to LEED¹ Certification





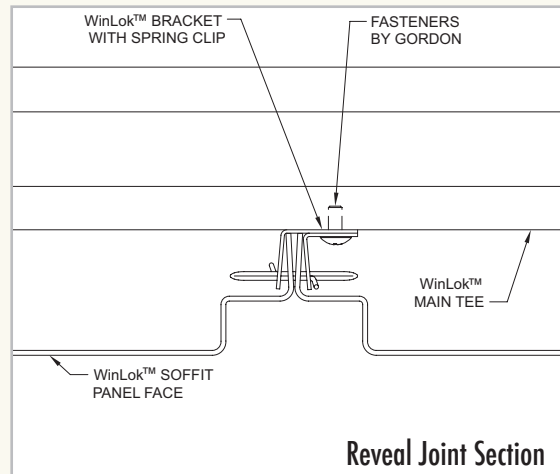
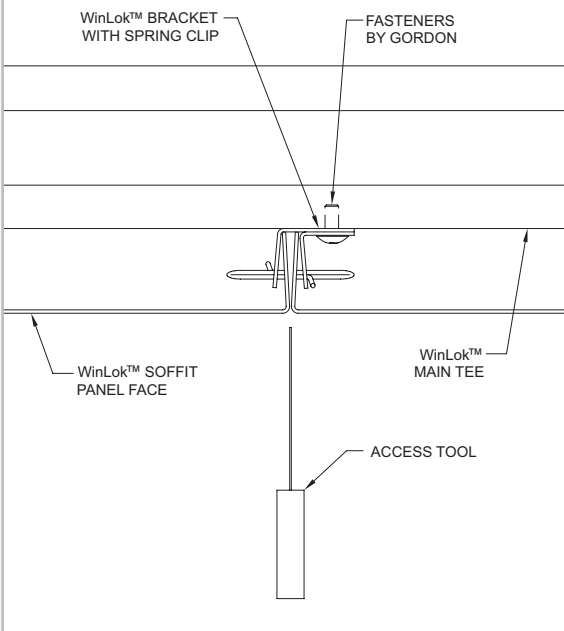
WinLok™

DETAILS

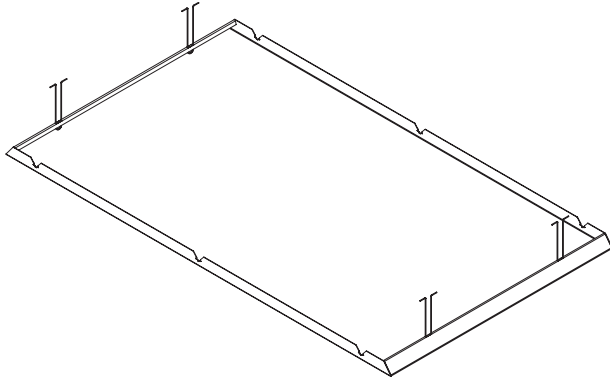
CEILINGS / SOFFITS



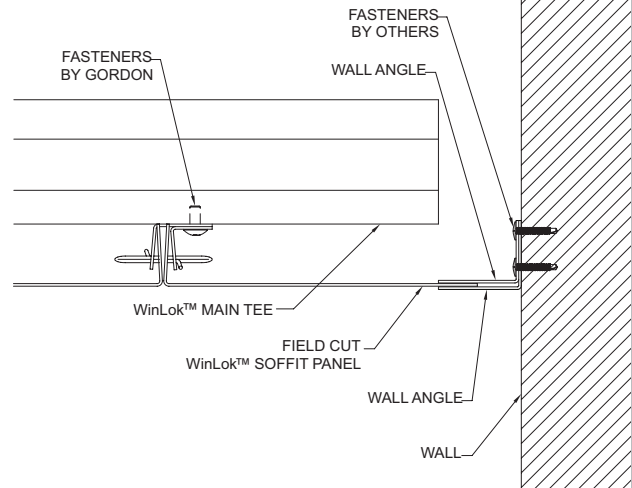
Flush Joint / Access Tool



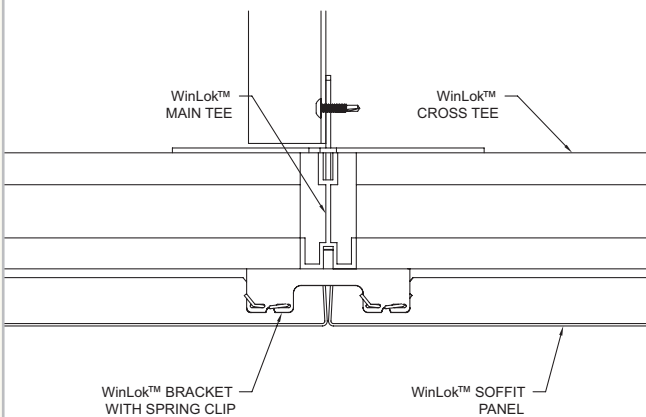
Typical Panel



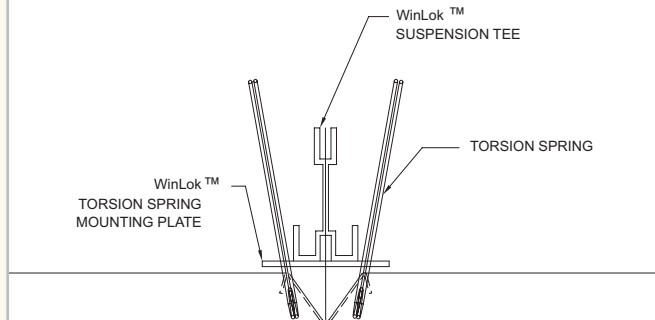
Wall Section



Side Section



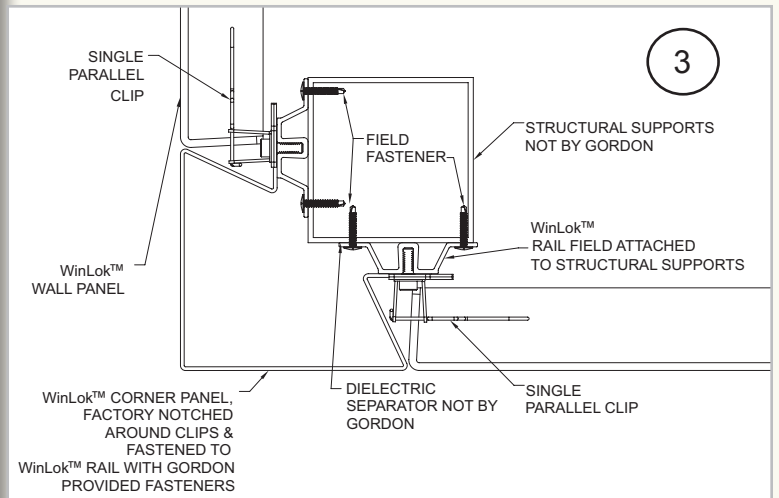
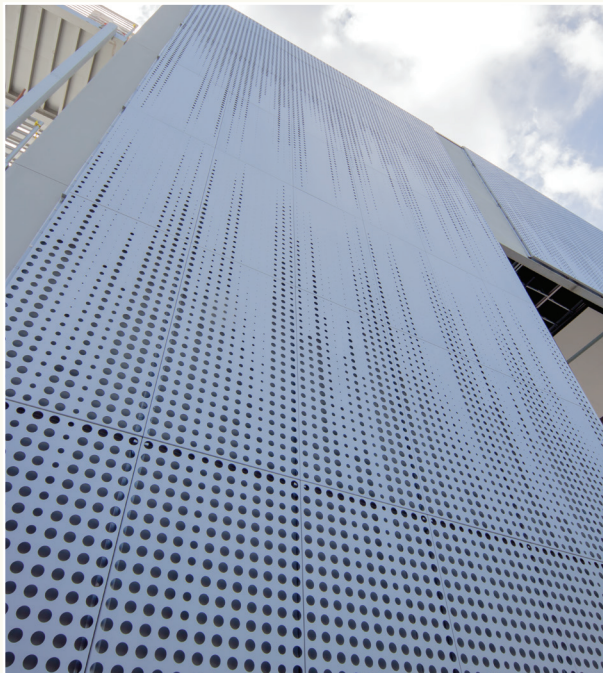
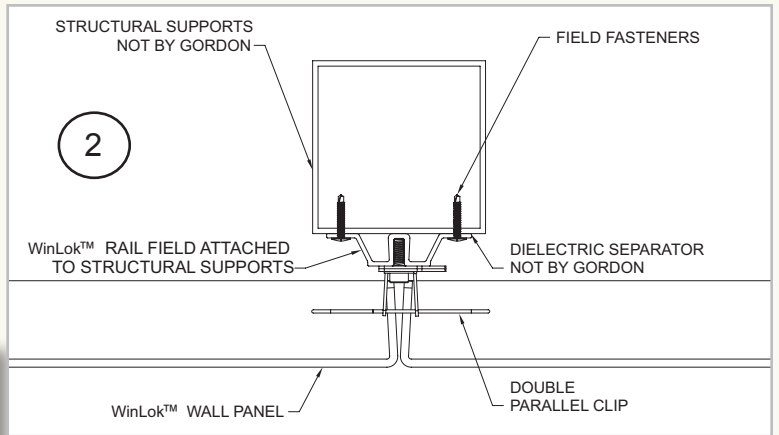
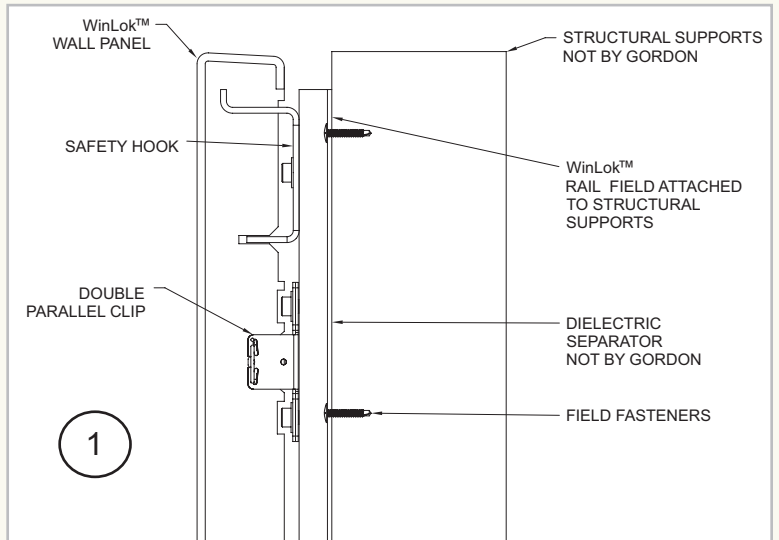
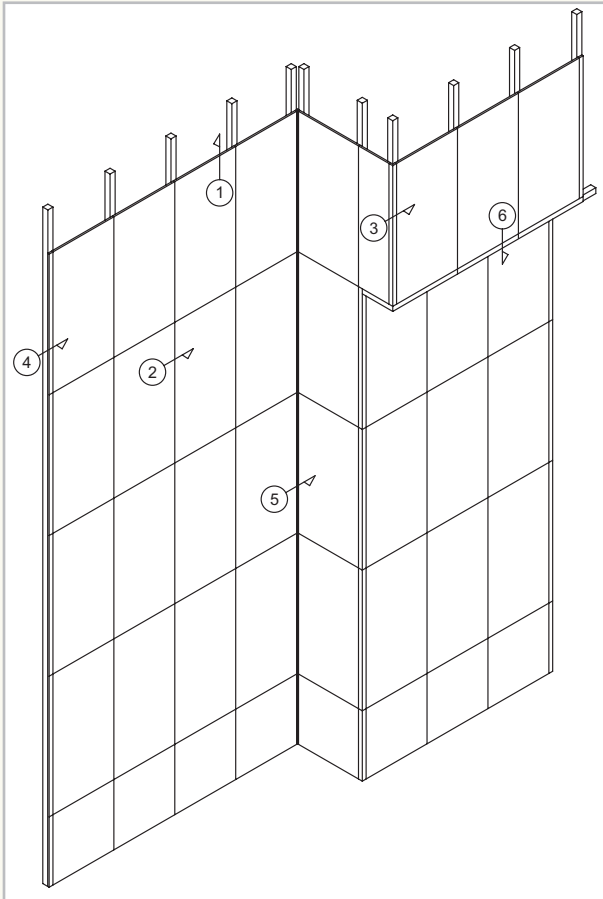
End Section

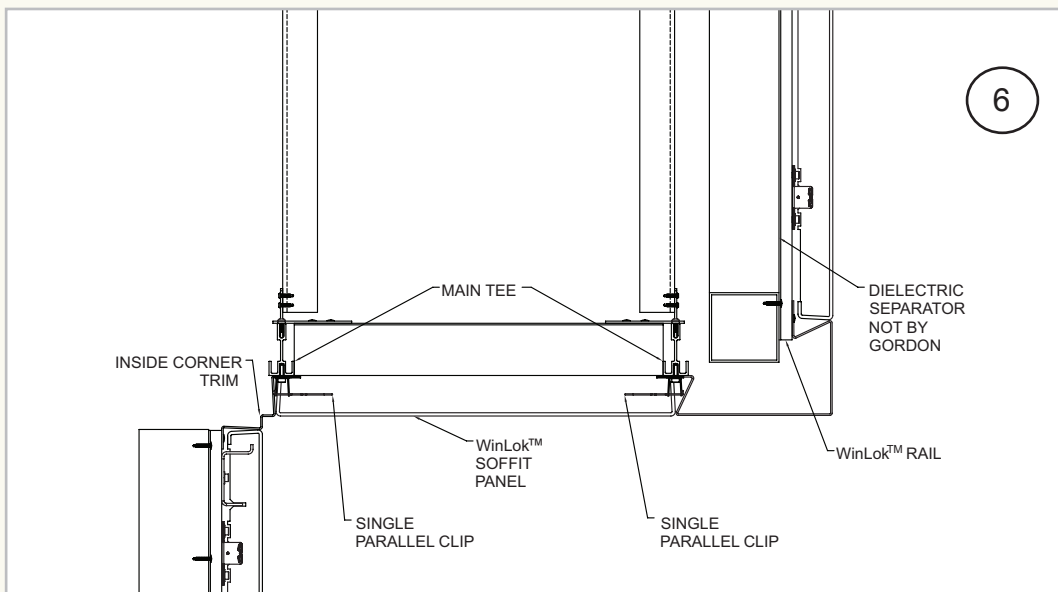
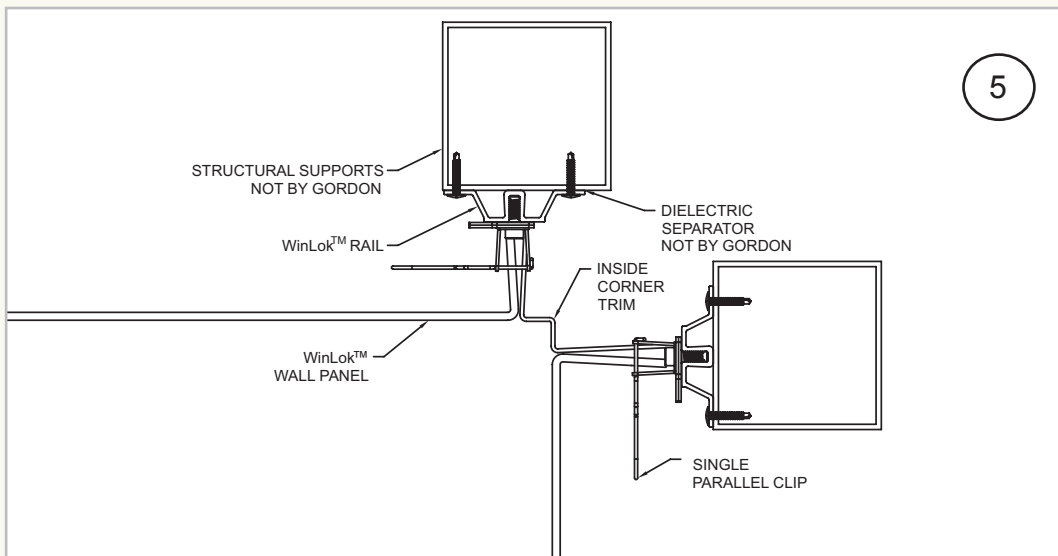
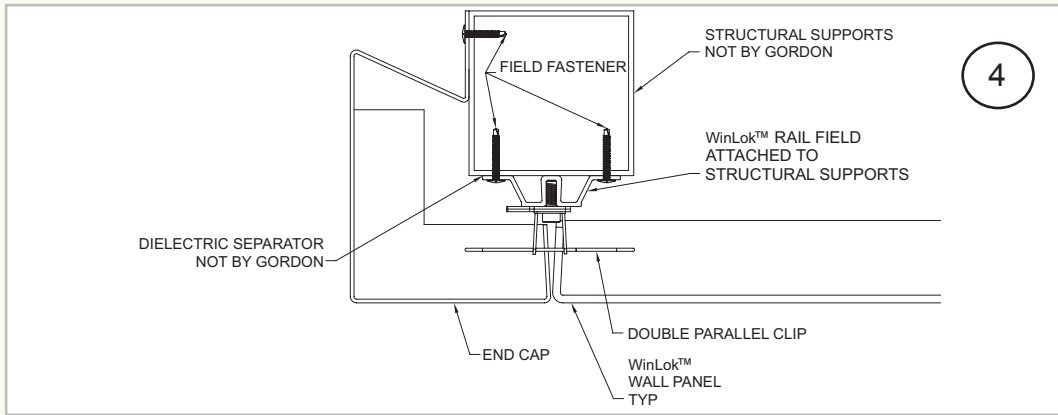


WinLok™

DETAILS

FASCIA / SCREEN WALLS / WALL SYSTEMS







FINISHES

- Powder Coats
 - Standard
 - ACROGUARD® Enhanced Durability
 - ACROGUARD® Patina
 - ACROGUARD® Textured
 - ACROGUARD®-UVX Durable Exterior
 - ACROSTAT™ Antimicrobial
- Pre-Coated Paints
 - PVDF Organic Coatings
 - 50% Resin-based
 - 70% High Performance Resin-based
 - Weathered Look Metal Finishes
 - Powder Coat
 - ACROGUARD®-UVX Durable Exterior
 - PVDF Organic Coatings
 - 70% High Performance Resin-based
- Greenwood™ - Wood Grain Films
- Greenwood™ - Paints
 - PVDF Organic Coatings
- Mechanical & Enhanced Finishes
 - Directional
 - #3 Directional Brushed Finish
 - #4 Directional Brushed Finish
 - #6 Directional Brushed Finish
 - Non-directional
 - #8 Mirror Finish
 - Random Orbital Finish
 - Random Anti-Graffiti Finish

GORDON[®]
INCORPORATED

5023 HAZEL JONES ROAD, BOSSIER CITY, LA 71111
800.747.8954
800.877.8746 FAX
SALES@GORDON-INC.COM
GORDON-INC.COM
AN EMPLOYEE OWNED COMPANY

¹ LEED is a registered trademark of the U.S. Green Building Council.

² FlexHead® is a registered trademark of FlexHead Industries.

