

GORDON SYSTEMS

GORDON
INTERIOR SPECIALTIES DIVISION



ART INSTITUTE OF CHICAGO,
MODERN WING
Chicago, IL



COLOR KINETICS
Burlington, MA



HARD ROCK CAFE
Las Vegas, NV



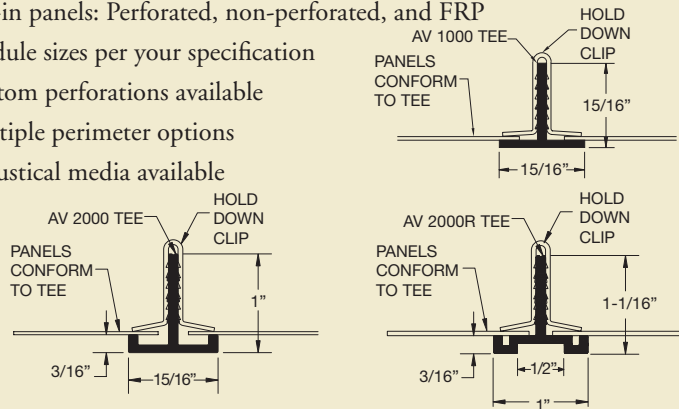
U.S. FEDERAL COURTHOUSE
Jackson, MS



UNIVERSITY OF MISSISSIPPI,
STUDENT UNION
Oxford, MS

ALUMA VAULT 1000, 2000, 2000R

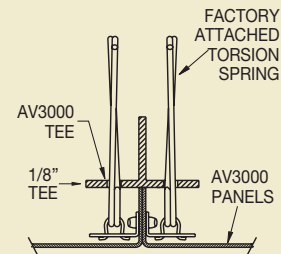
- Exposed extruded aluminum suspension system
- Convex, concave, undulating, and flat
- Lay-in panels: Perforated, non-perforated, and FRP
- Module sizes per your specification
- Custom perforations available
- Multiple perimeter options
- Acoustical media available



AMERICAN EUROCOPTER
Columbus, MS

ALUMA VAULT 3000

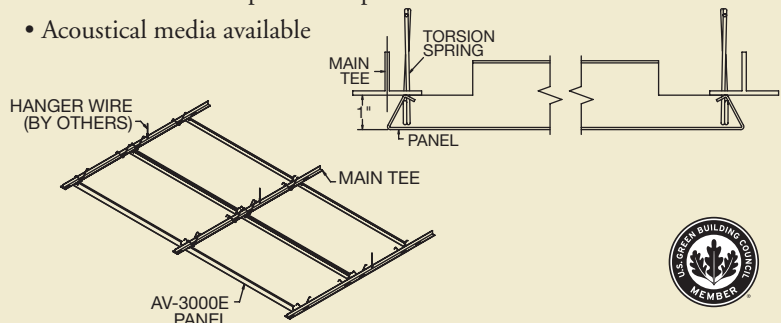
- 100% accessible, torsion panel system
- Concealed, extruded aluminum suspension
- Convex, concave, undulating, and flat
- Variety of panel sizes and shapes available
- Custom fabricated per your specification
- Perforated and non-perforated panels
- Multiple perimeter options
- Acoustical media available



ROCHESTER INTERNATIONAL AIRPORT,
SECURITY CHECKPOINT
Rochester, NY

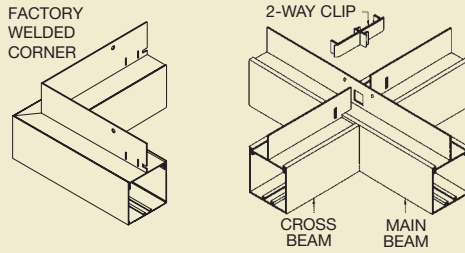
ALUMA VAULT 3000E

- 100% accessible, torsion panel system
- Concealed, extruded aluminum suspension
- Flat, hingeable, rectangular panels
- Easy and economical installation
 - Only 4 springs per panel
 - Fewer main tees and hangers
- Perforated and non-perforated panels
- Acoustical media available



BEAM MATE

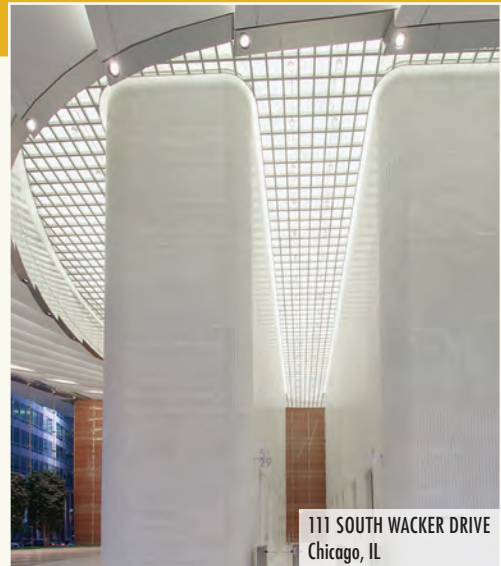
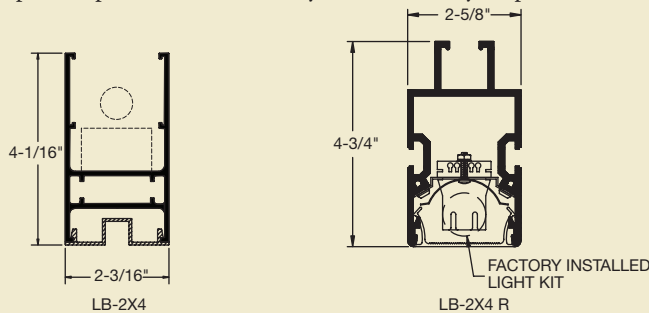
- Numerous extruded aluminum beam sizes
- Module sizes per your specification
- Optional perforated metal, acrylic and FRP lay-in panels
- Multiple perimeter options
- Track lighting options available
- Custom beam sizes can be created



MICHIGAN STATE UNIVERSITY, BRODY HALL
East Lansing, MI

BEAM MATE - LIGHT BEAM

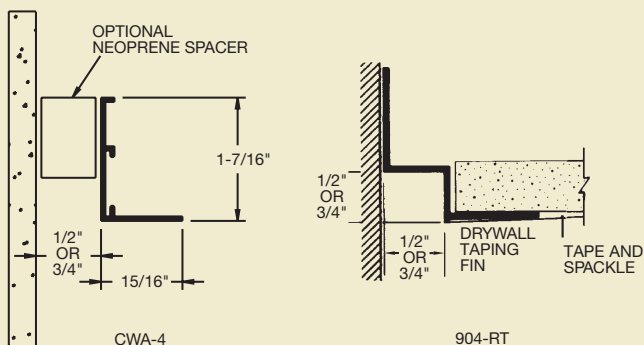
- Extruded aluminum beam
- Integral direct or indirect lighting
- Factory UL lighted system for LB-2X4 R, rod hung
- Optional indirect lighting for LB-2X4, wire hung
- Optional perforated metal, acrylic and FRP lay-in panels



111 SOUTH WACKER DRIVE
Chicago, IL

COLUMN COLLARS

- Curved aluminum extrusions trim ceilings at columns and curved perimeters
- Profiles available for acoustical and drywall applications
- Finished to match any suspension



GORDON LOBBY
Bossier City, LA

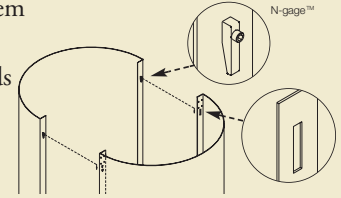




UNIVERSITY OF LOUISIANA
ADVANCED COMPUTER STUDIES
Lafayette, LA

COLUMN ENCLOSURES

- Ornamental metal column enclosures available in MILLENNIUM®, aluminum, galvanized steel, stainless steel, mechanical, textured, and Ceramatech™ Durable Porcelain finish
- Round, quarter round, half round, oval, square, elliptical, oblong, faceted, conical, and custom shapes
- Stacking joints: Butt joint or reveal
- Vertical joints: Soft V or reveal
- Labor saving, self aligning and self supporting N-gage™¹ connection system
- Accessories - Hand rails, access doors, column collars, penetrations, and studs



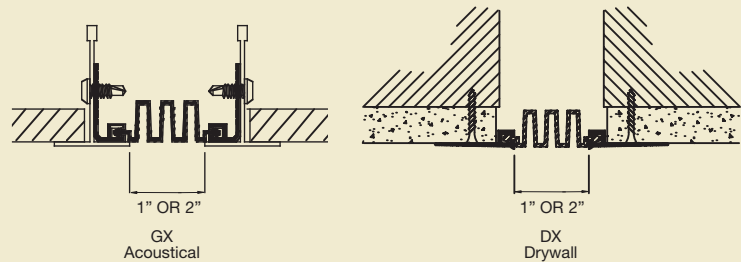
¹ N-gage™ patent number 6,148,585



ROCHESTER INTERNATIONAL AIRPORT,
AIRFIELD VIEWING ROOM
Rochester, NY

CONTROL JOINTS

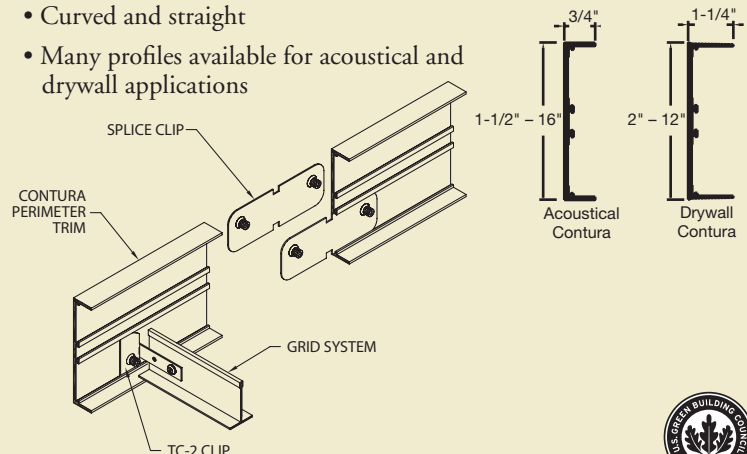
- Flexible PVC Insert, Color white, pre-assembled to extruded aluminum trims - Acoustical and Drywall applications
- Available in 1" and 2" sizes
- Drywall control joints include pre-punched flanges for tape & float conditions



TEMPLE BAPTIST CHURCH
Hattiesburg, MS

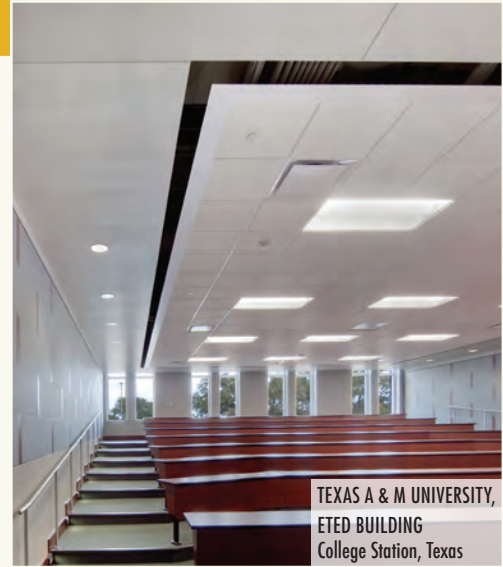
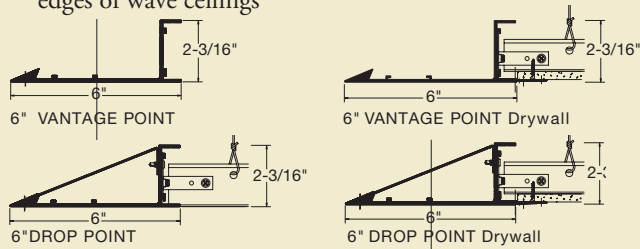
CONTURA

- Extruded aluminum provides a crisp and clear appearance
- Use with any suspension system, beam ceiling, and drywall ceiling
- Curved and straight
- Many profiles available for acoustical and drywall applications



CONTURA - VANTAGE POINT®/DROP POINT

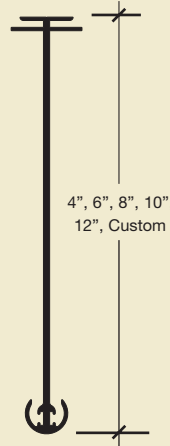
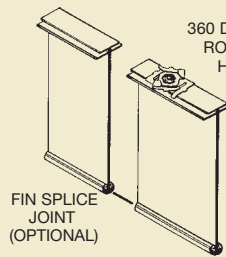
- Defines the space from below by creating a 6" and 8" wide picture frame
- Extruded Aluminum profiles provide a strong, crisp appearance
- Fully integrated with acoustical and drywall ceiling systems
- Drop Point:
 - Adds dimension, mass, and depth to detail when viewed from any angle
 - Combine with 2" CONTURA for use along the straight edges of wave ceilings



TEXAS A & M UNIVERSITY,
ETED BUILDING
College Station, Texas

FIN MATE

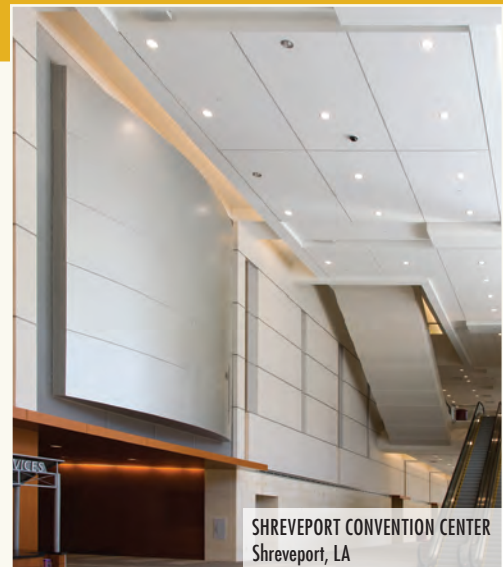
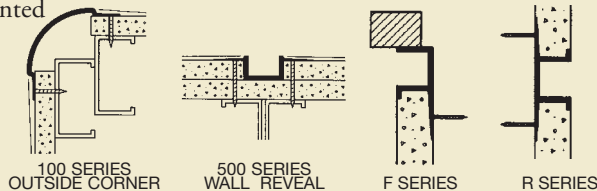
- One directional plenum mask
- Extruded aluminum blade baffle ceilings provide a crisp clean, and linear appearance
- Integrates easily with any 15/16" suspension system
- Flat, undulating, and splayed configurations



WALTER SILLERS STATE OFFICE BUILDING
Jackson, MS

FINAL FORMS

- Drywall, plaster and reveal trims
- Over 450 extruded aluminum profiles in stock - custom profiles can be created to meet your design requirements
- Available straight and curved
- Factory welded intersections and custom fabrication is available
- Final Forms I drywall trims - coated for field painting or factory painted
- Final Forms II plaster trims - clear anodized finish or factory painted



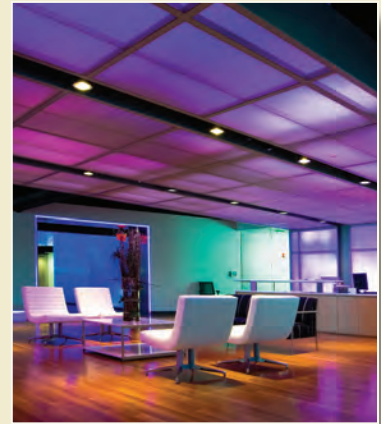
SHREVEPORT CONVENTION CENTER
Shreveport, LA



SCI-PORT LOUISIANA'S SCIENCE CENTER
Shreveport, LA

FRP - FIBERGLASS REINFORCED PLASTIC

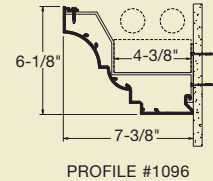
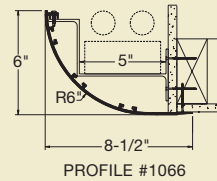
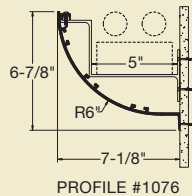
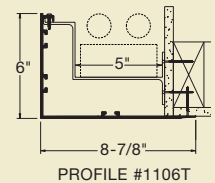
- Utilized in ceiling and wall systems when light transmission is desired
- Curved and flat applications
- Shatterproof toughness, rigidity, weather-ability, and low thermal expansion
- Available in a variety of colors



UNIVERSITY OF MISSISSIPPI,
PERFORMING ARTS CENTER
Oxford, MS

LIGHT COVES

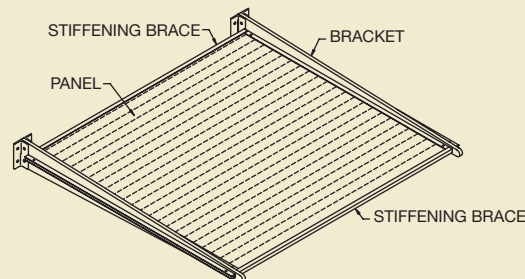
- Extruded aluminum
- Multiple profiles available
- Straight and curved applications
- Factory welded intersections and end caps available



AMD
Austin, TX

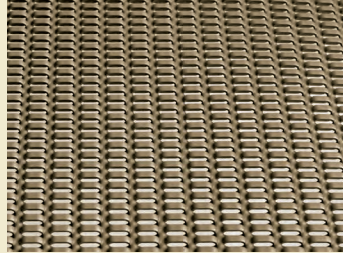
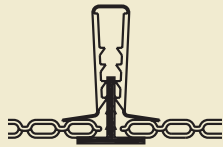
LIGHT SHELF

- Harvests natural light, reducing the demand for artificial lighting and lower energy costs
- Panel Options:
 - Structural twin wall polycarbonate panels for luminous applications
 - MILLENNIUM® panels for decorative lighting effects
 - Corrugated metal panels for larger spans
- Aluminum brackets align with mullions:
48" - 60" typical spacing - Custom spacing available



MILLENNIUM® CEILINGS

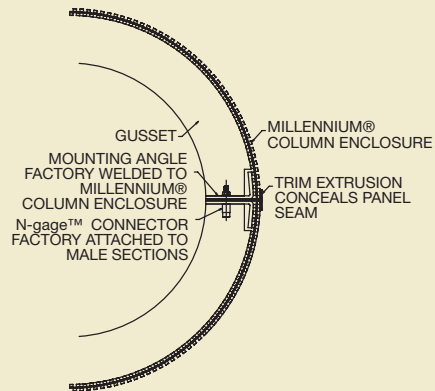
- MILLENNIUM lay-in panels add a 3-dimensional, expanded metal texture for modular ceilings
- Flat, concave, convex, sloped, undulating and corrugated ceilings
- Extruded aluminum suspension
- Multiple perimeter trim options
- Module sizes up to 5' x 12'
- Can be backlit
- Acoustical media available



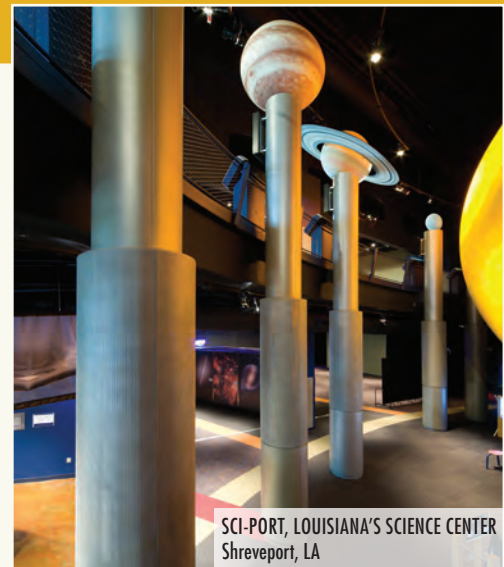
ROCHESTER INSTITUTE OF TECHNOLOGY
Rochester, NY

MILLENNIUM COLUMN ENCLOSURES

- 3 dimensional expanded metal
- Can be backlit
- Light diffuser available
- Horizontal, vertical or combination of reveals
- Labor saving, self aligning and self supporting N-gage™¹ connection system



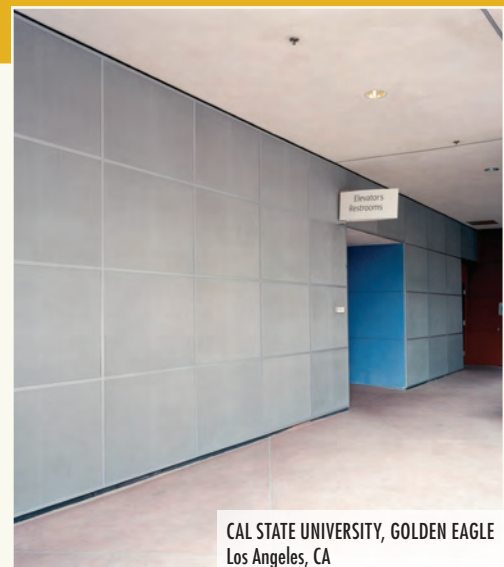
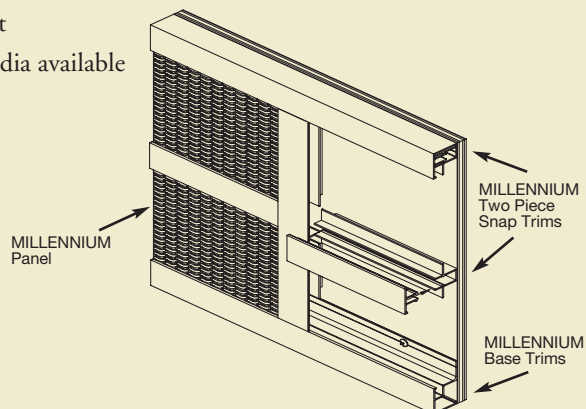
¹ N-gage™ patent number 6,148,585



SCI-PORT, LOUISIANA'S SCIENCE CENTER
Shreveport, LA

MILLENNIUM WALLS

- 3 dimensional expanded metal
- Flat, curved, and corrugated wall systems
- Multiple trim options
- Can be backlit
- Acoustical media available



CAL STATE UNIVERSITY, GOLDEN EAGLE
Los Angeles, CA

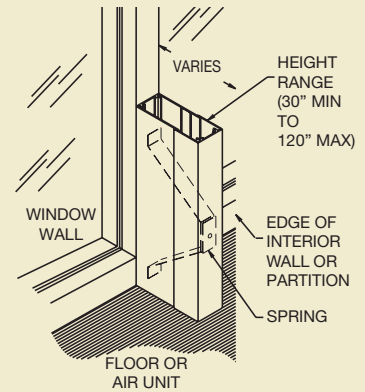




VERSA FINANCE
Bossier City, LA

MULLION MATE

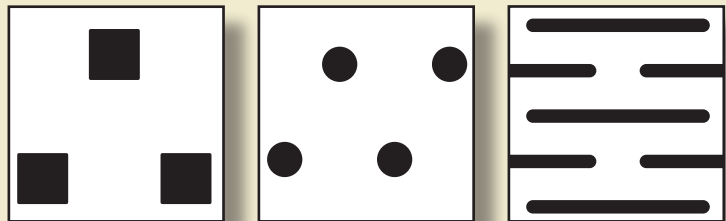
- Spring loaded partition closure
- Insulation included for STC of 38
- Factory assembled
- Finished to match the mullion
- Custom lengths available



WESTYE
Chicago, IL

PERFORATED PANELS

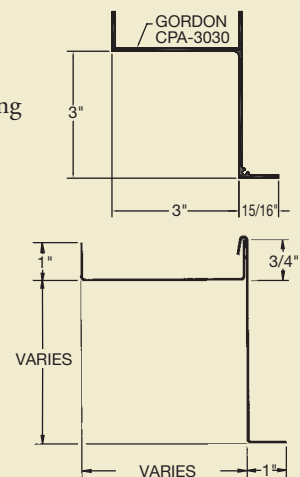
- Round, slot, oblong, and square perforations are available
- Designed for acoustics, aesthetics, and air distribution
- Limitless designs can be created...let us know the requirement and we will do the rest



WILLIAM P. HOBBY AIRPORT
Houston, TX

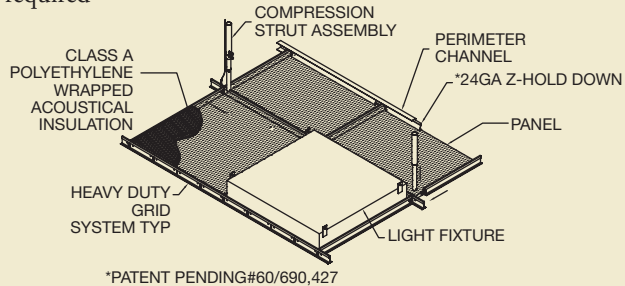
PERIMETER POCKETS

- Ceiling transition to perimeter wall
- Ideal for concealing blinds, draperies, screens, air return and supply, and lighting
- Fits integrally with any acoustical and drywall ceiling systems
- Visually pleasing and less expensive than drywall construction
- Prefinished in the color of your choice
- Extruded and brake formed aluminum or brake formed steel
- Available vented



SECURE CEILINGS

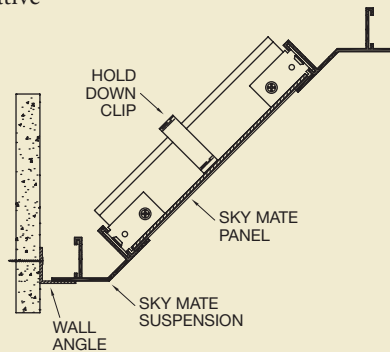
- Acoustical ceilings designed for environments that require added security
- Panels lock into place
- Tamper evident
- Perfect for secure environments where restricted plenum access is required



GORDON CEILINGS
Bossier City, LA

SKY MATE

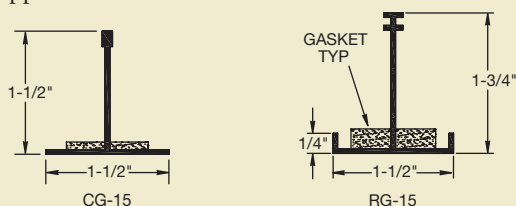
- Luminous ceiling system
- Configurations: Square, rectangular, triangular, dome-shaped, or custom
- Excellent natural skylight alternative
- Virtually any size available
- Matte white acrylic panels
- Custom panel options available



SOUTHWEST AIRLINES CORPORATE HEADQUARTERS
Dallas, TX

SUSPENSION - CG/RG GASKETED GRID

- Extruded aluminum
- Pharmaceutical, semiconductor, food processing, surgical suites, & aerospace applications
- Factory gasketed
- Custom applications



Also Available:

CG-10 - 15/16" Face x 1-1/2"
CG-20 - 2" x 2"



CANTRELL DRUG
Little Rock, AR

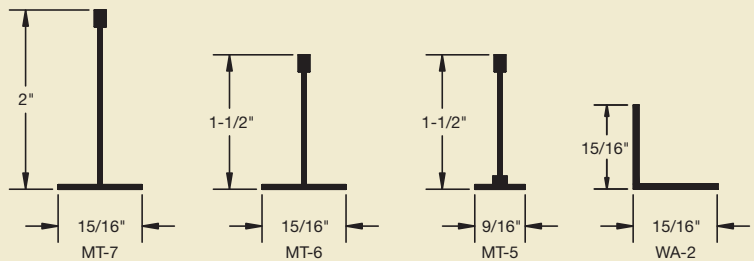




DFW INTERNATIONAL AIRPORT,
TERMINAL D
DFW, TX

SUSPENSION - ENVIRONMENTAL GRID

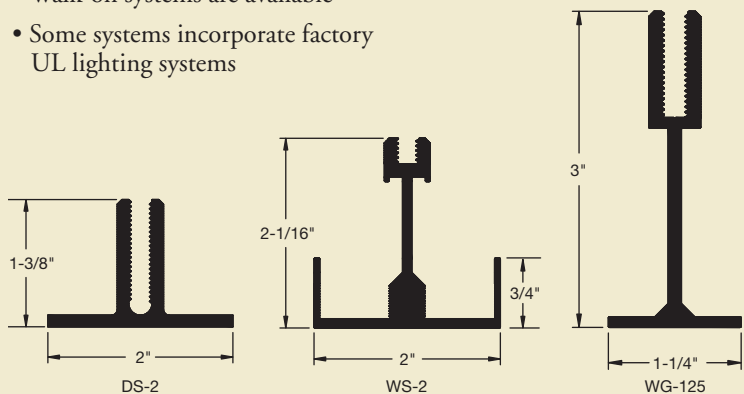
- Extruded aluminum
- Connection:
 - Snap tab
 - Clip systems for seismic conditions
- Any module size
- Textured finishes available



THE PALAZZO RESORT CASINO
Las Vegas, NV

SUSPENSION - HEAVY DUTY - DS-2, WS-2, WG-125

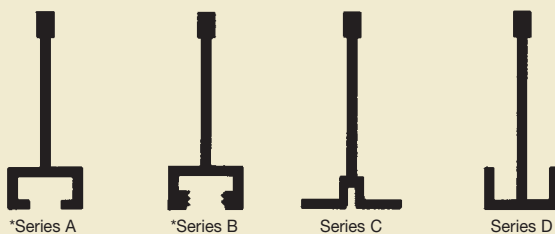
- Rod-hung suspension systems
- Designed to support heavy panel systems
- Walk-on systems are available
- Some systems incorporate factory UL lighting systems



GORDON HALLWAY
Bossier City, LA

SUSPENSION - SERIES GRID

- Extruded aluminum
- Clip systems for seismic conditions
- Any module size
- Tegular panel systems - Series A, B, and D
- Textured finishes available

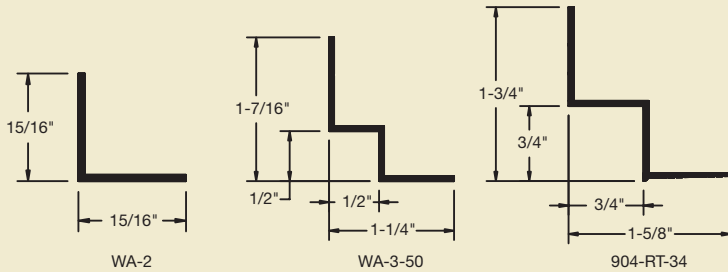


*Series A Bolt Slot
*Series B Screw Slot
*Series C Screw Slot
*Snap tab available



WALL ANGLE

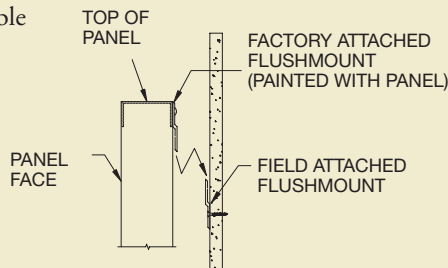
- Many profiles available for acoustical and drywall applications
- Custom angle(s) and molding can be designed to meet your project specifications
- Curved profiles available



PAUL REVERE MIDDLE SCHOOL
Los Angeles, CA

WALL SYSTEMS

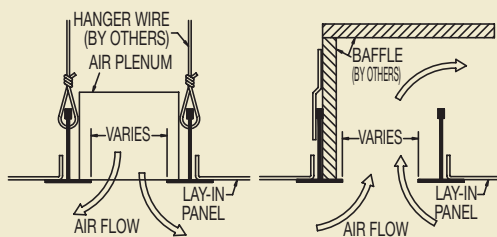
- Designed in aluminum, galvanized steel, stainless steel, and Ceramatech™ Durable Porcelain finish
- Panel sizes up to 5' x 12' nominal
- Perforated and non-perforated
- Design applications: Horizontal, Vertical, Reveal, and Curved
- Acoustical media available



McCARRAN INTERNATIONAL AIRPORT,
TERMINAL D
Las Vegas, NV

AIR SLOTS

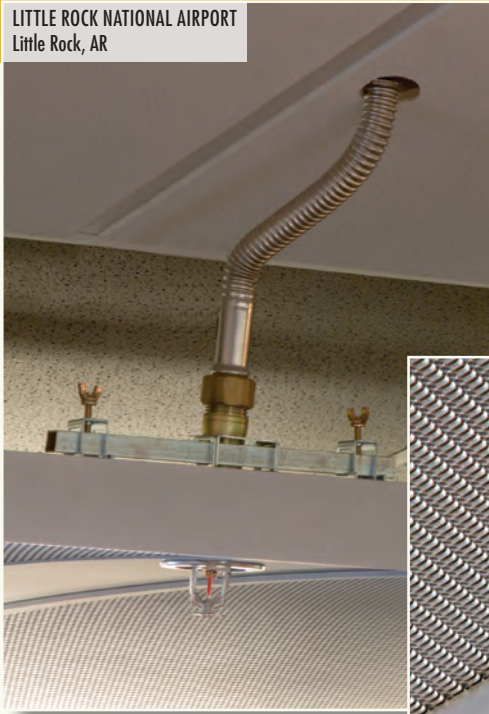
- Sizes vary to meet the requirements of the HVAC consultant
- Mechanical contractor furnishes the air supply diffusers
- Applications: Supply Air, Return Air
- Acoustical and Drywall applications



CABLE MUSEUM
Denver, CO



LITTLE ROCK NATIONAL AIRPORT
Little Rock, AR



FlexHead^{®2} SPRINKLERS

- Perfect for renovation / retrofit projects when hard piping is already in place
- Flexible hose provides perfect “center-of-tile” installation
- Reduced man power and installation costs
- Easily relocated and reconfigured without draining and disassembling
- Meets 1999 NFPA 13 guidelines
- Hose length - 2', 3', 4', 5', and 6'



FINISHES

- Acrylic Water Base “Wet” Paints
- Custom and Standard Powder Coats
- Specialty Powder Coats
 - ACROGUARD[®] - UVX
 - ACROGUARD[®]
 - ACROSTAT[™] Antimicrobial
 - Luminescent
 - Metallic
 - Translucent
- Greenwood[™] Wood Grain Films
- ACRO-Tech[™] Textured Finishes
- Ceramatech[™] Durable Porcelain Finish
- Specialty Exterior Finishes

GREEN BY DESIGN

- Products contribute to LEED^{®3} certification
- 58.2% recycled aluminum extrusions
 - 39.1% pre-consumer content
 - 19.1% post consumer content
- 30% recycled aluminum coil
 - 19% pre-consumer content
 - 11% post consumer content
- 73.7% recycled steel coil
 - 12.6% pre-consumer content
 - 61.1% post consumer content
- In-House Finishes
 - Biodegradable pre-treatment (No phosphates) powder coat
 - No hazardous waste
 - No VOCs
 - No heavy metals
- Reference our sustainable products brochure and website for more information

GORDON
INTERIOR SPECIALTIES DIVISION

5023 HAZEL JONES ROAD, BOSSIER CITY, LA 71111
800.747.8954
800.877.8746 FAX
SALES@GORDONINTERIORS.COM
GORDONINTERIORS.COM
AN EMPLOYEE OWNED COMPANY

GORDON Interior Specialties is a Division of Gordon Incorporated.

¹ N-gage[™] patent number 6,148,585

² FlexHead[®] is a registered trademark of FlexHead Industries.

³ LEED[®] is a registered trademark of the U.S. Green Building Council.

