

EXTERIOR FINISHES



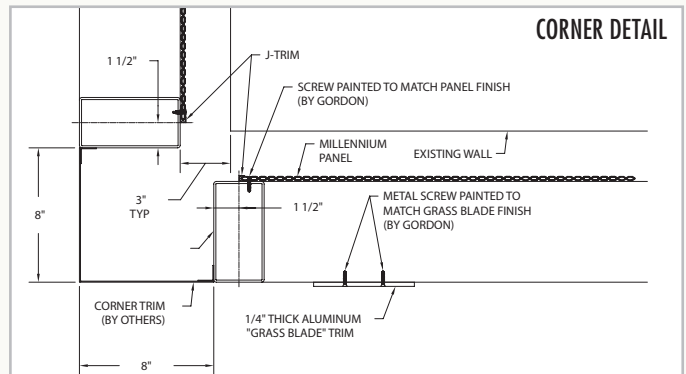
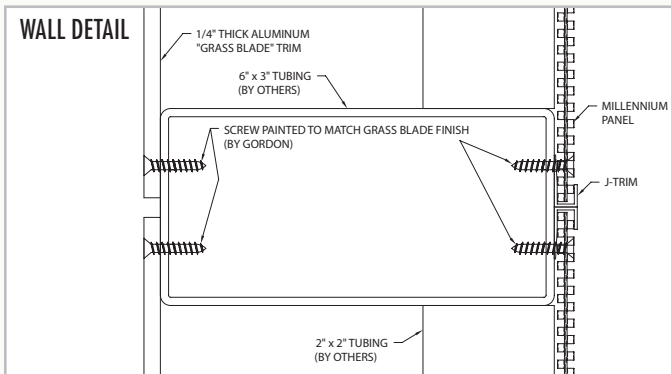
CAPSTAR AT COMPASS PLAZA



CAPSTAR AT COMPASS PLAZA

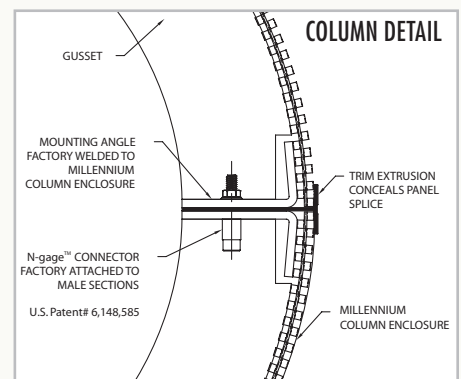


DETAILS



Gordon provided Wall Systems, Column Enclosures, and Trims featuring:

- MILLENNIUM® Tubular Expanded Aluminum Panels, 40% Open Area, 1/4" Thick
- Custom Fabricated 1/4" Aluminum "Grass Blades"
- Extruded Aluminum "J" Trims
- Extruded Aluminum "R" Series Soffit Vent Trims
- Painted Screws
- Specialty Exterior Finish



PROJECT
CAPSTAR at Compass Plaza
Austin, TX

ARCHITECT
Susman Tisdale Gayle
Austin, TX

GORDON REPRESENTATIVE
Specified Interiors
Houston, TX

CONTRACTOR
Construction Metal Products, Inc.
Kyle, TX

GORDON
EXTERIOR SPECIALTIES DIVISION

5023 HAZEL JONES ROAD
BOSSIER CITY, LA 71111
800.747.8954
800.877.8746 FAX
SALES@GORDONEXTERIORS.COM
GORDONEXTERIORS.COM
AN EMPLOYEE OWNED COMPANY

