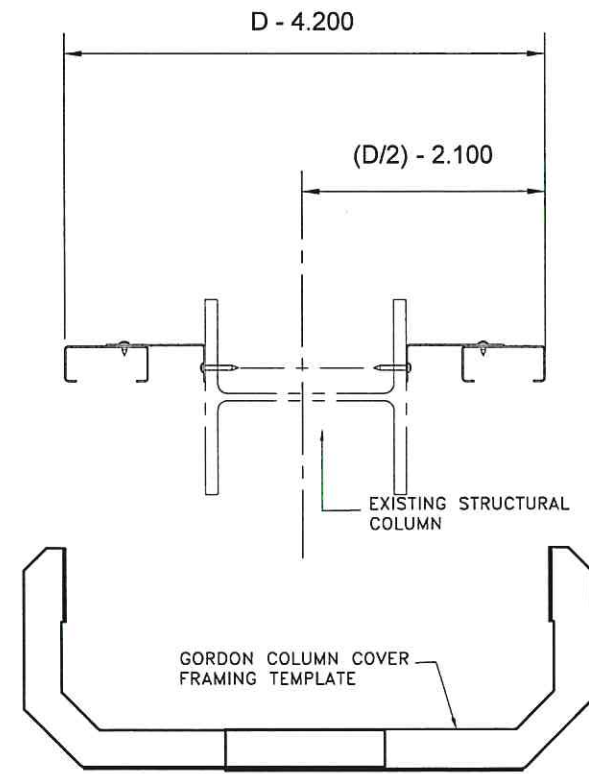


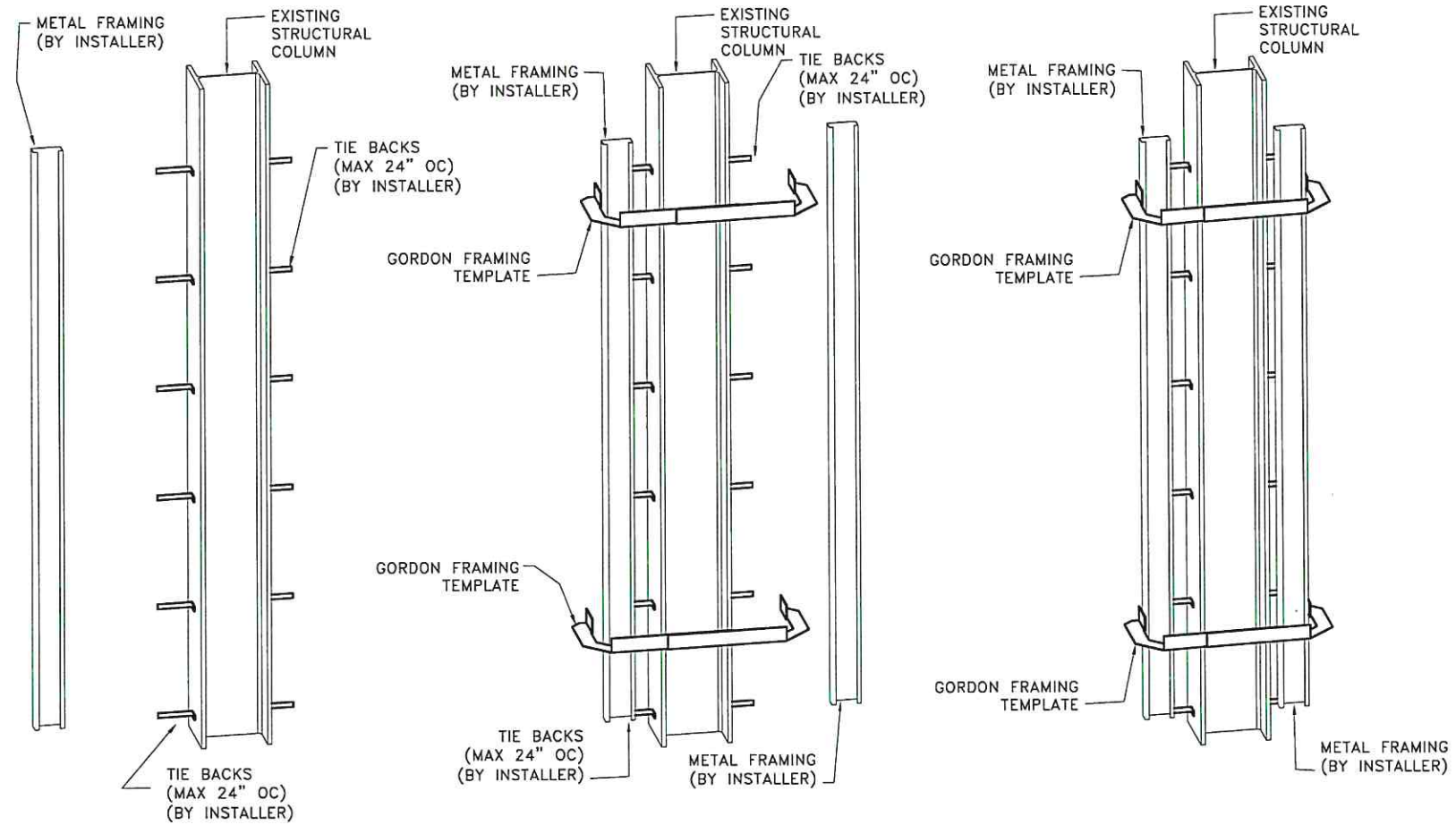
INSTALLATION DIAGRAMS:

eConnect™ CONNECTOR
IS PATENT PENDING

DIAGRAM A: INSTALLING FRAMING



D= OUTSIDE DIAMETER OF COLUMN COVER



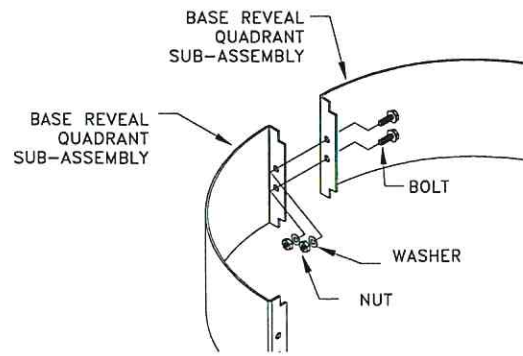
THE DESIGN AND CONCEPTS REPRESENTED BY THIS PRINT AND ACCOMPANYING DOCUMENTS ARE THE SOLE PROPERTY OF GORDON, INC. AND MAY NOT BE USED, COPIED, OR REPRODUCED WITHOUT PRIOR WRITTEN CONSENT OF SAID OFFICE.

GORDON®
INCORPORATED

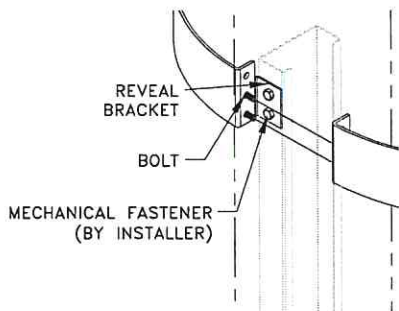
5023 HAZEL JONES ROAD, BOSSIER CITY, LA 71111
800.747.8954
800.877.8746 FAX
SALES@GORDON-INC.COM
GORDON-INC.COM
AN EMPLOYEE OWNED COMPANY

SALES CODE		SHEET TITLE		RUNS:		QUANTITY:	
SALES DIE #		COLUMN COVER INSTALLATION INSTRUCTIONS FOR eConnect™		SHEET 1 OF 3		SALES ORDER -	
ARCHITECT		JOB NAME		REL DATE 07/19/18		PATH & DRAWING NUMBER H:\DWG\LAYOUTS\COLUMN ENCLOSURES\STANDARD\INSTALLATIONS INSTRUCTIONS CC-CE-INSTALLATIONS-INSTRUCTIONS	
CUSTOMER		COMP DATE 07/17/18	DRAWN BY DVA	APRVD BY RRR	DRAWING SCALE AS NOTED	PLOTTED SCALE 1:1	SOFTWARE USED AutoCAD
							REVISION -

DIAGRAM B:
INSTALLING THE HORIZONTAL REVEALS



NOTE: IF REVEALS ARE IN QUADRANTS, ASSEMBLE QUADRANTS INTO HALVES BEFORE INSTALLING REVEAL BRACKETS.



CONNECTION REVEAL TO METAL FRAMING

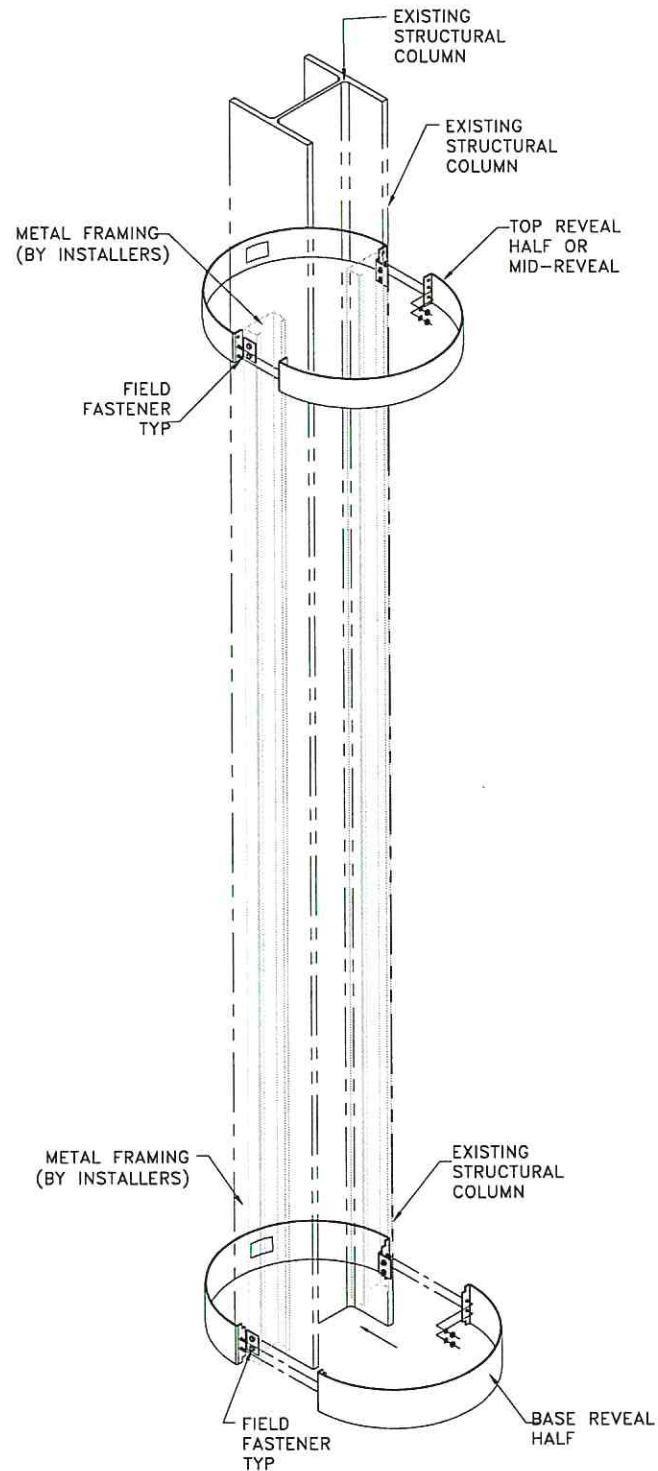
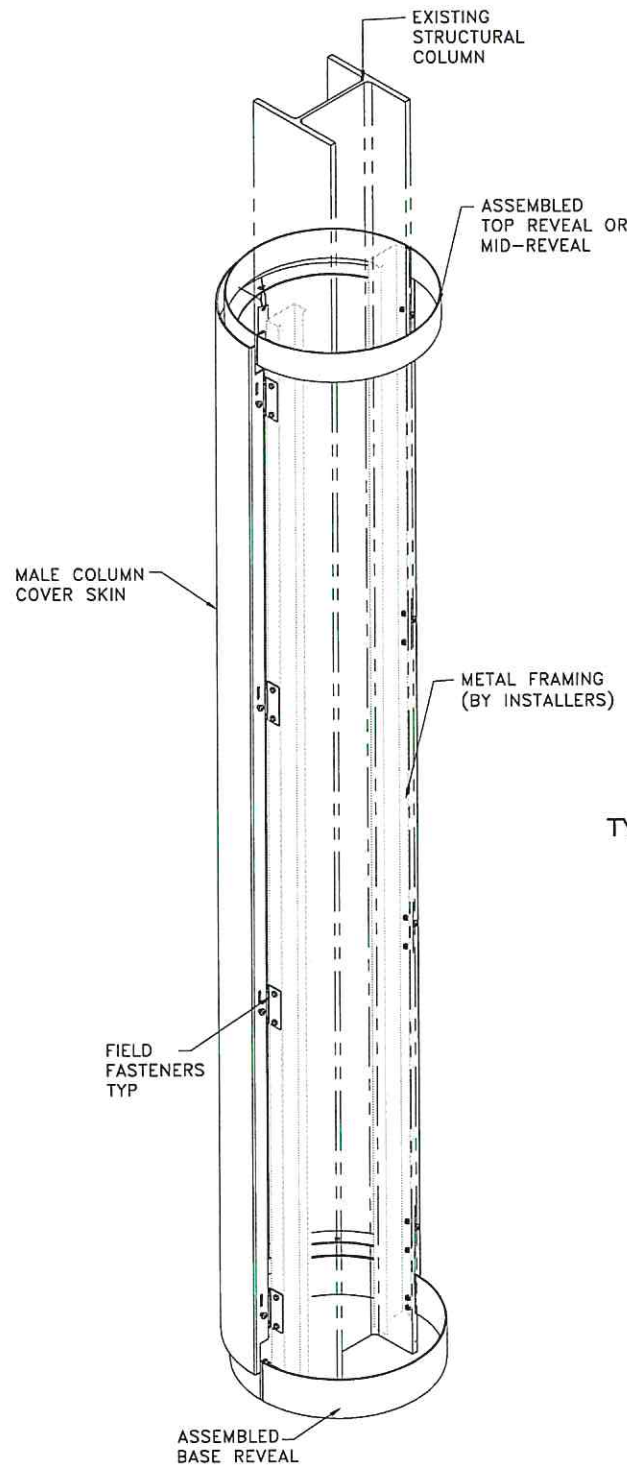
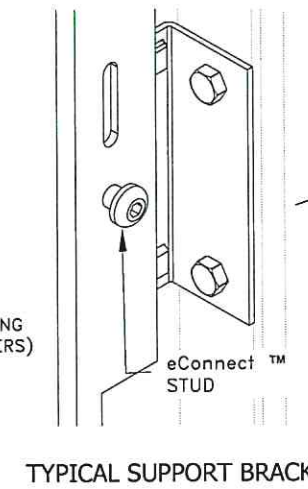


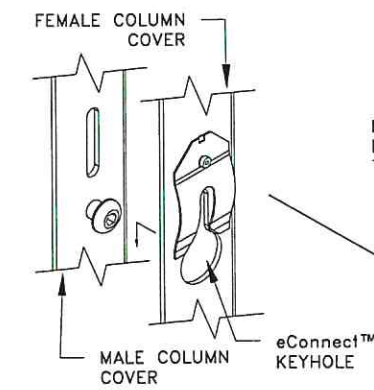
DIAGRAM C:
INSTALLING COLUMN COVER SKIN



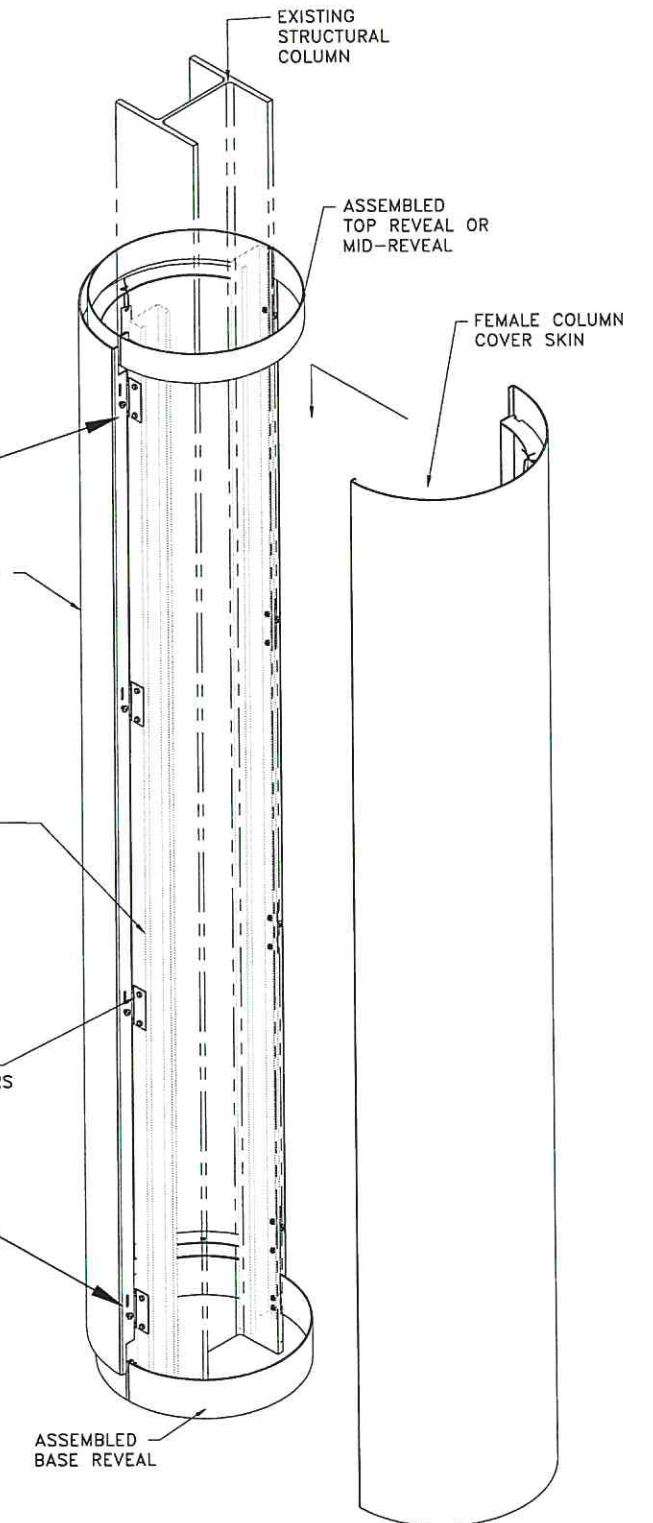
eConnect™ CONNECTOR
IS PATENT PENDING



TYPICAL SUPPORT BRACKET



TYPICAL eConnect™



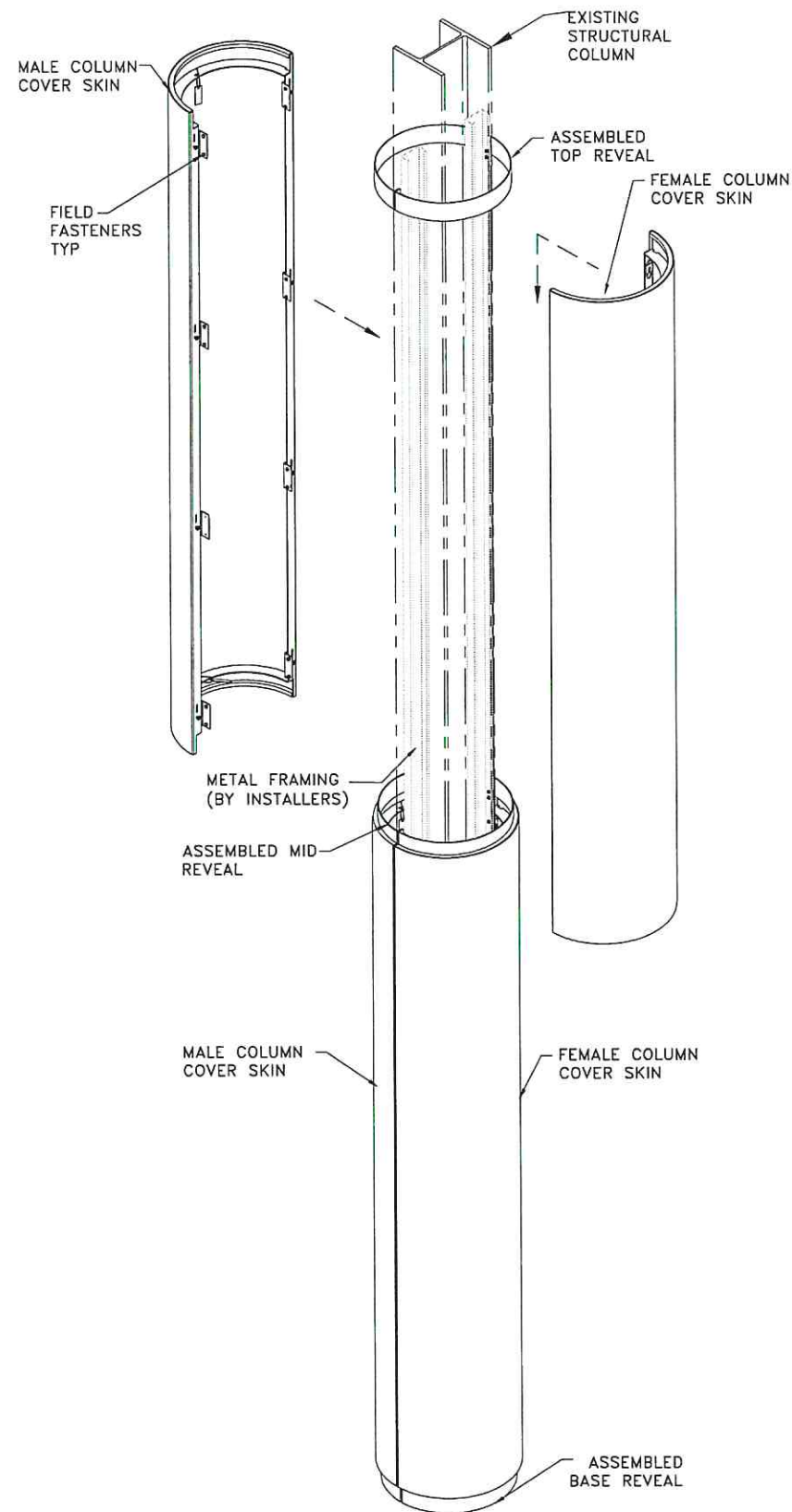
THE DESIGN AND CONCEPTS REPRESENTED BY THIS PRINT AND ACCOMPANYING DOCUMENTS ARE THE SOLE PROPERTY OF GORDON, INC. AND MAY NOT BE USED, COPIED, OR REPRODUCED WITHOUT PRIOR WRITTEN CONSENT OF SAID OFFICE.

GORDON
INCORPORATED

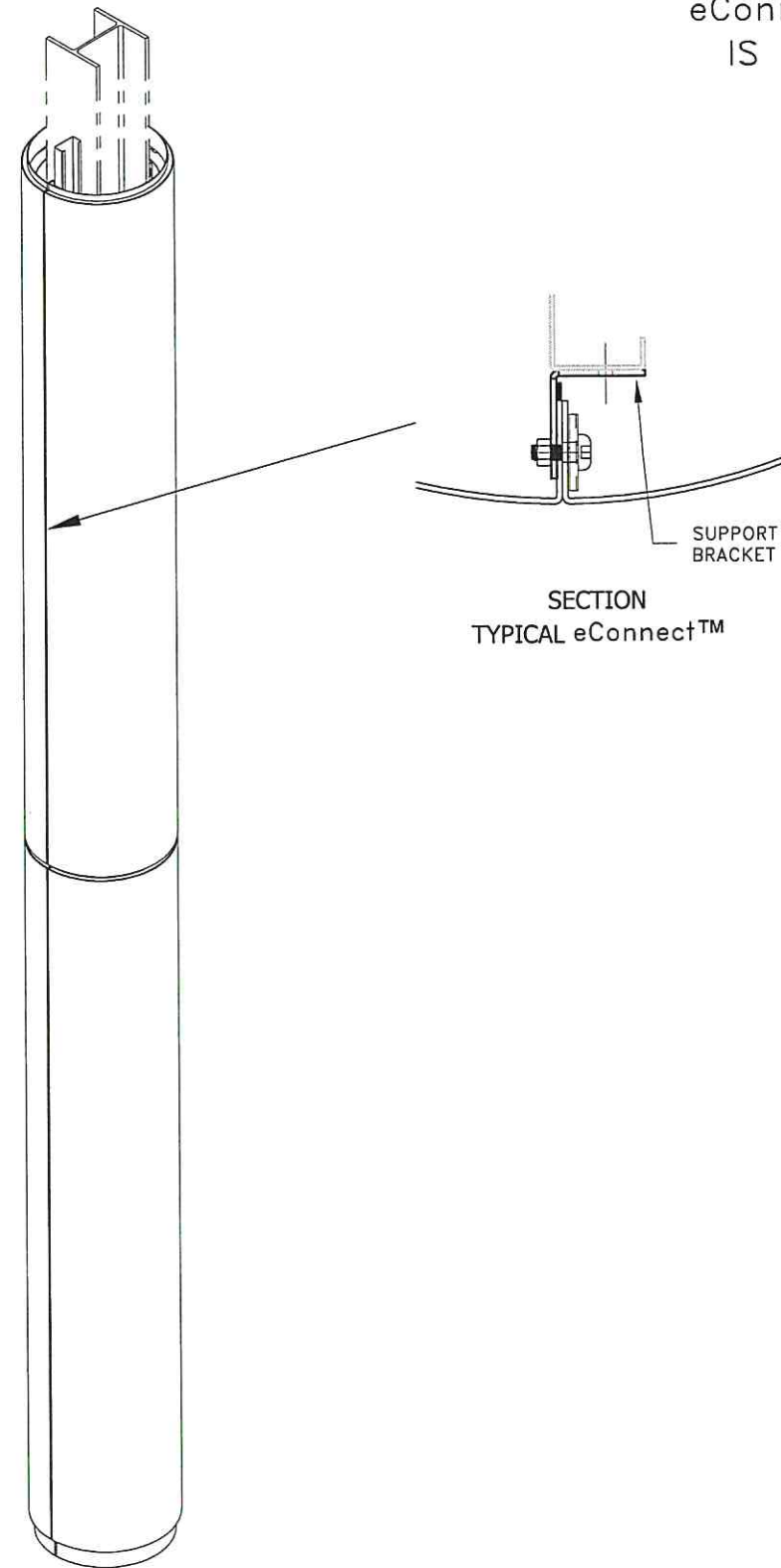
5023 HAZEL JONES ROAD, BOSSIER CITY, LA 71111
800.747.8954
800.877.8746 FAX
SALES@GORDON-INC.COM
GORDON-INC.COM
AN EMPLOYEE OWNED COMPANY

SALES CODE	SHEET TITLE		RUNS:		QUANTITY:	
SALES DIE #	COLUMN COVER INSTALLATION INSTRUCTIONS FOR eConnect™		SHEET	SALES ORDER	PATH & DRAWING NUMBER	
ARCHITECT	JOB NAME		2	-	H:\DWG\LAYOUTS\COLUMN	
CUSTOMER	COMP DATE	DRAWN BY	APRVD BY	REL DATE	ENCLOSURES\STANDARD\INSTALLATIONS INSTRUCTIONS	
	07/17/18	DVA	RRR	07/19/18	CC-CE-INSTALLATIONS-INSTRUCTIONS	
				DRAWING SCALE	PLOTTED SCALE	SOFTWARE USED
				AS NOTED	1:1	AutoCAD
						REVISION
						-

DIAGRAM C:
INSTALLING COLUMN COVER SKIN



eConnect™ CONNECTOR
IS PATENT PENDING



THE DESIGN AND CONCEPTS REPRESENTED BY THIS PRINT AND ACCOMPANYING DOCUMENTS ARE THE SOLE PROPERTY OF GORDON, INC. AND MAY NOT BE USED, COPIED, OR REPRODUCED WITHOUT PRIOR WRITTEN CONSENT OF SAID OFFICE.

GORDON
INCORPORATED

5023 HAZEL JONES ROAD, BOSSIER CITY, LA 71111
800.747.8954
800.877.8746 FAX
SALES@GORDON-INC.COM
GORDON-INC.COM
AN EMPLOYEE OWNED COMPANY

SALES CODE		SHEET TITLE			RUNS:		QUANTITY:			
SALES DIE #		COLUMN COVER INSTALLATION INSTRUCTIONS FOR eConnect™			SHEET 3 OF 3		SALES ORDER -		PATH & DRAWING NUMBER H:\DWG\LAYOUTS\COLUMN ENCLOSURES\STANDARD\INSTALLATIONS INSTRUCTIONS CC-CE-INSTALLATIONS-INSTRUCTIONS	
ARCHITECT		JOB NAME			REL DATE 07/19/18		DRAWING SCALE AS NOTED		PLOTTED SCALE 1:1	
CUSTOMER		COMP DATE 07/17/18		DRAWN BY DVA		APRVD BY RRR		SOFTWARE USED AutoCAD		REVISION -