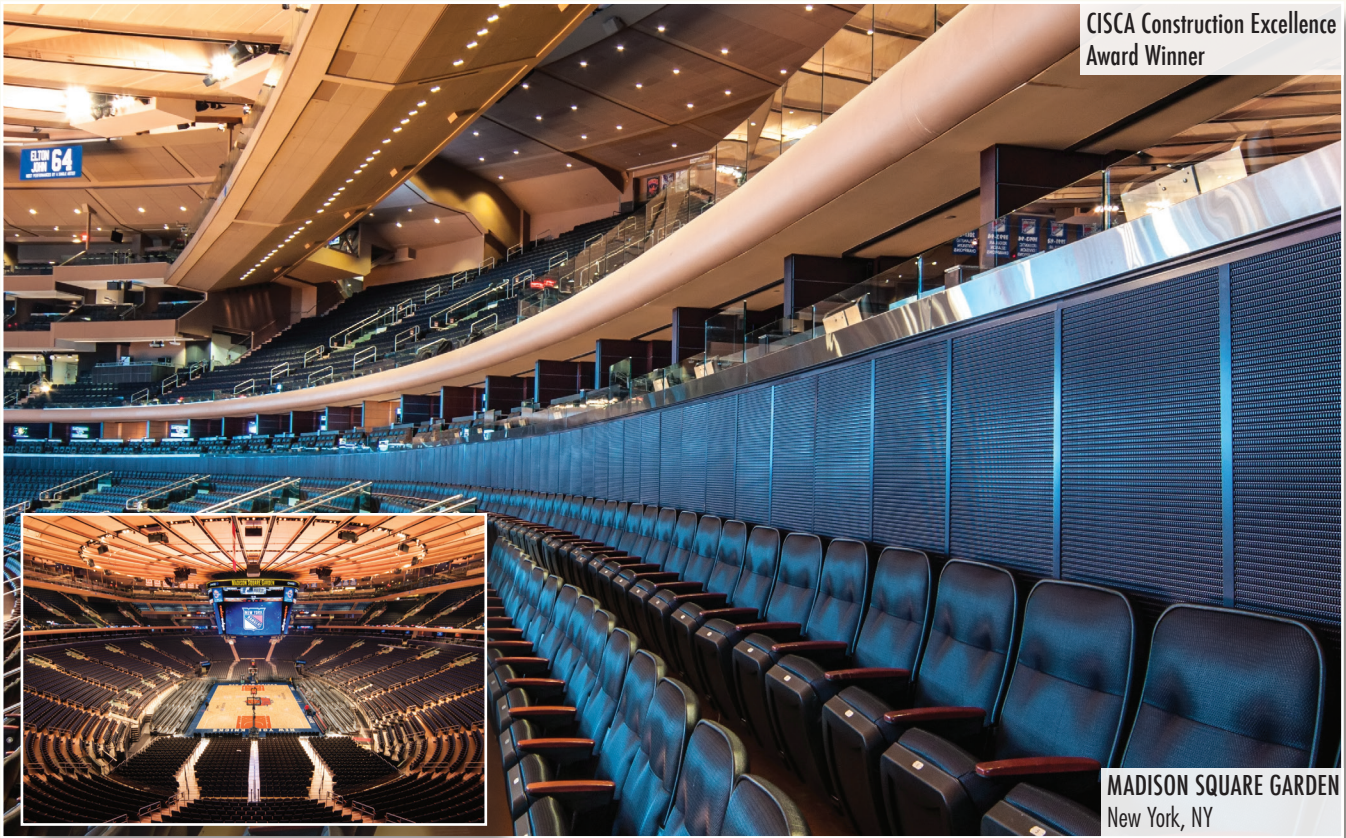


MILLENNIUM[®]

SYSTEM SOLUTIONS FOR CEILINGS, WALLS, AND COLUMN ENCLOSURES

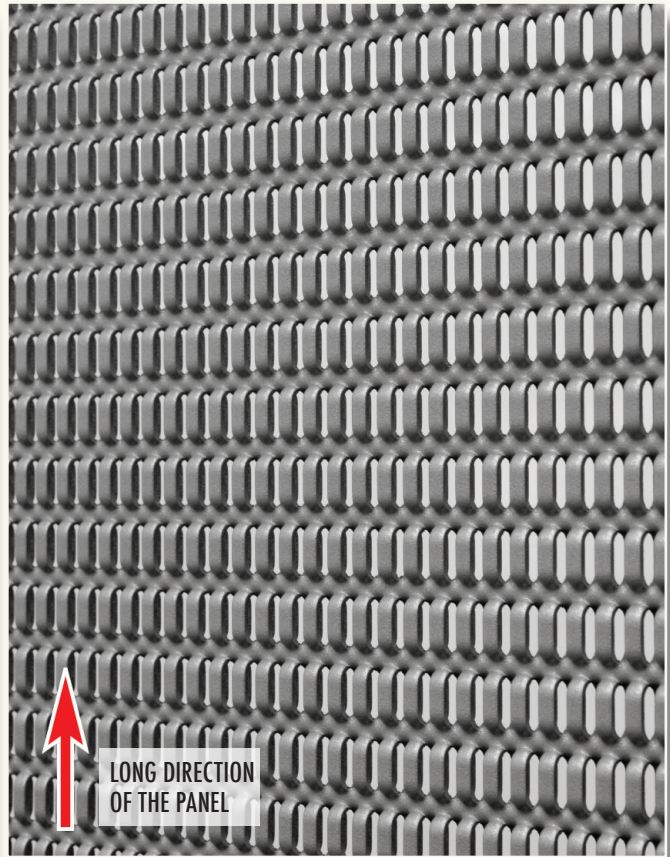


MILLENNIUM[®] CEILING SYSTEMS

Gordon MILLENNIUM is a 3-dimensional metal surface that provides a unique visual texture. MILLENNIUM panels add dimension, texture and intrigue to flat, convex, concave, sloped, and undulating ceilings.



GATEWAY CENTER
Charlotte, NC



LONG DIRECTION
OF THE PANEL

DESIGN ELEMENTS

- Specify the radius and module size of your choice
- Panels lay into extruded aluminum suspension
- Can be backlit to create dynamic visual effects

MATERIAL:

- .063" thick aluminum expanded to 1/4" thick tubular pattern
- Approximately 40% open area

PANEL SIZES:

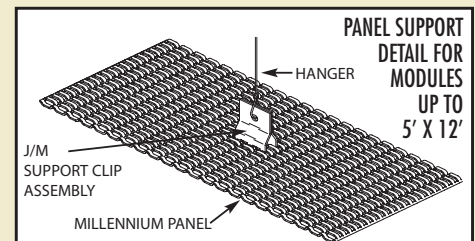
- Factory fabricated to the desired size
- Module sizes up to 5' wide x 12' long

ACOUSTICAL MEDIA:

- Encapsulated fiberglass pads
- NRC ranges from 0.70 to 1.10

INTEGRATES WITH:

- Air slots
- Access panels
- Lighting
- FlexHead^{®1} sprinklers
- Perimeter light or curtain pockets
- Penetrations
 - Speakers
 - Columns
 - Lights
 - Air

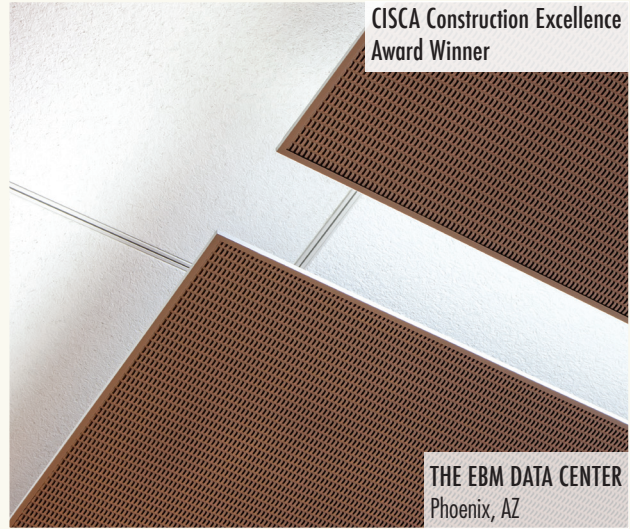


JM SUPPORT CLIPS:

- Eliminate deflection by incorporating J/M Clips in large modules

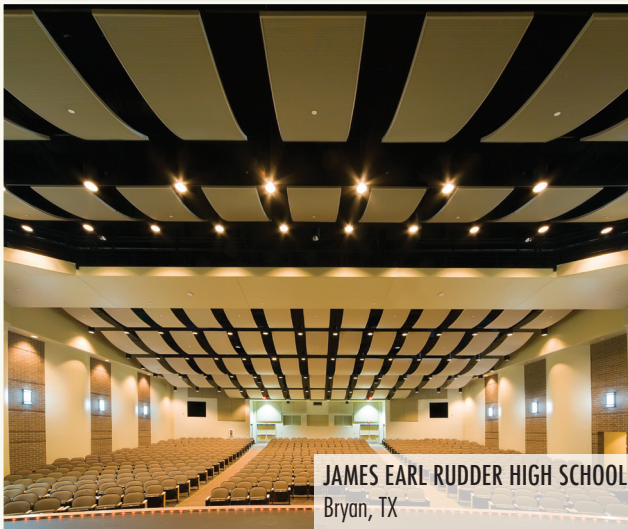


BB&T BANK
Charlotte, NC



CISCA Construction Excellence Award Winner

THE EBM DATA CENTER
Phoenix, AZ



JAMES EARL RUDDER HIGH SCHOOL
Bryan, TX



SAN ANTONIO COUNTRY CLUB
San Antonio, TX



CISCA Construction Excellence Award Winner

CADENA REEVES JUSTICE CENTER
San Antonio, TX



CISCA Construction Excellence Award Winner

HARD ROCK CAFE
Las Vegas, NV

MILLENNIUM[®]

WALL SYSTEMS

DESIGN ELEMENTS

MATERIAL:

- .063" aluminum or 18 ga. galvanized steel expanded to 1/4" thick tubular pattern
- Approximately 40% open area

PANEL SIZES:

- Stock sizes: 4' & 5' wide x 8', 10', & 12' lengths
- Factory fabricated to the desired size
- Custom sizes up to 5' x 14'

ACOUSTICAL MEDIA:

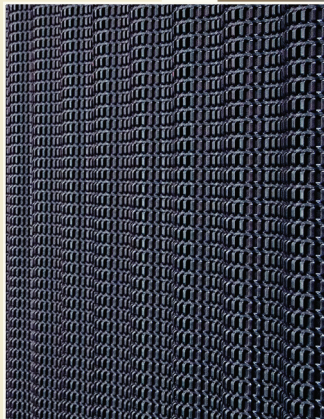
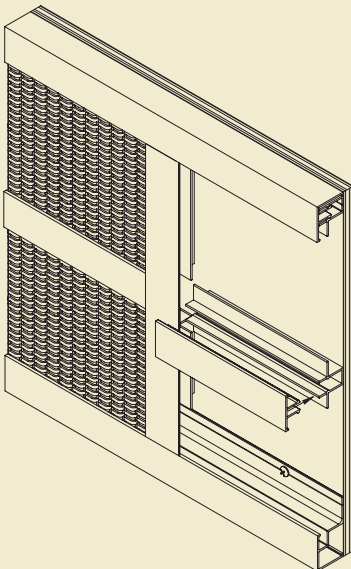
- Encapsulated fiberglass pads
- Non-woven acoustical fabric
- NRC ranges from 0.70 to 1.10



CALIFORNIA STATE UNIVERSITY
Los Angeles, CA

APPLICATIONS

- Flat or curved walls
- Corrugated walls
- Screenwalls
- Sunscreens
- Facades
- Can be backlit to create dynamic visual effects

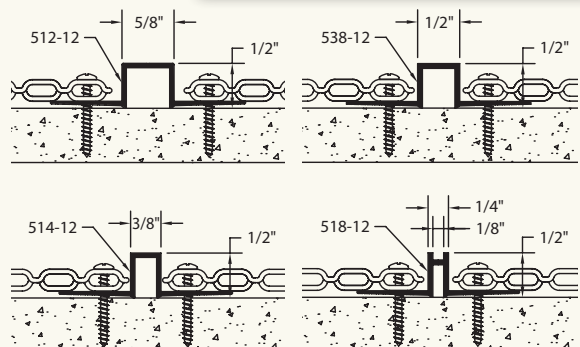
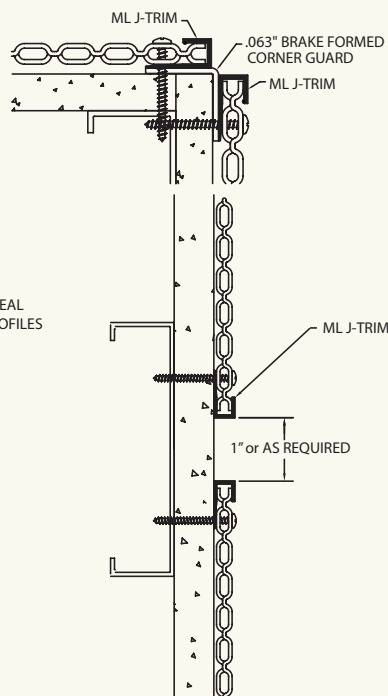
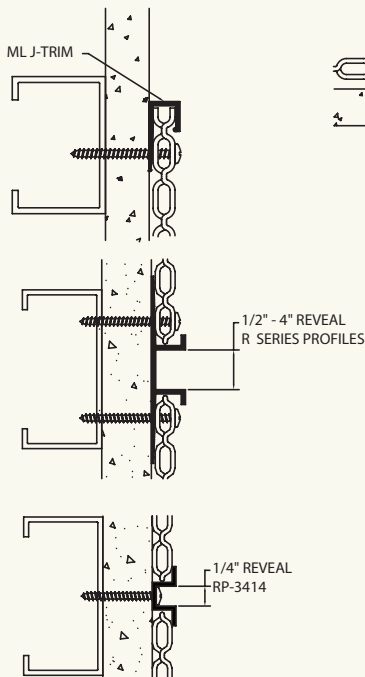
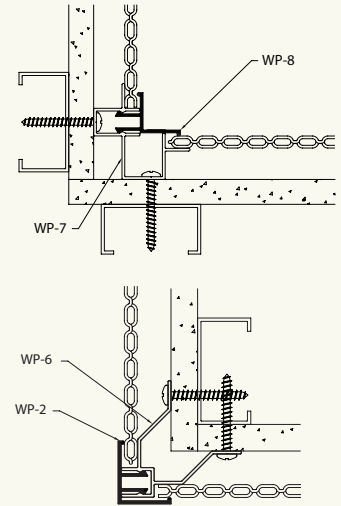
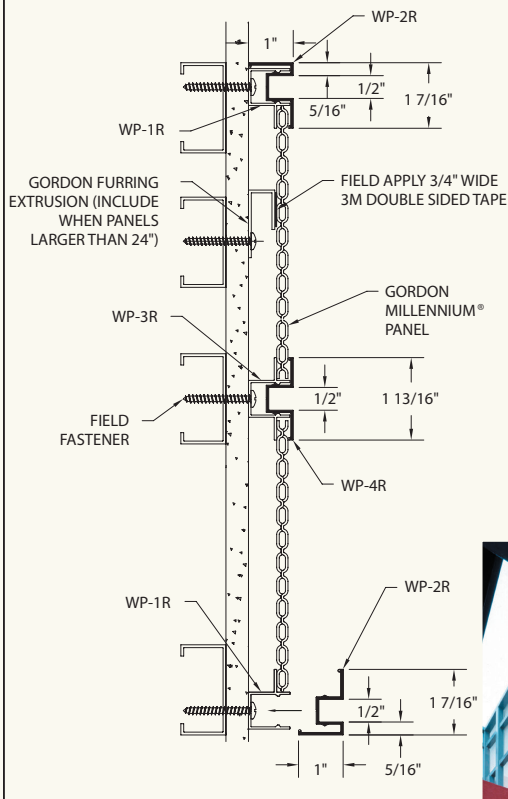
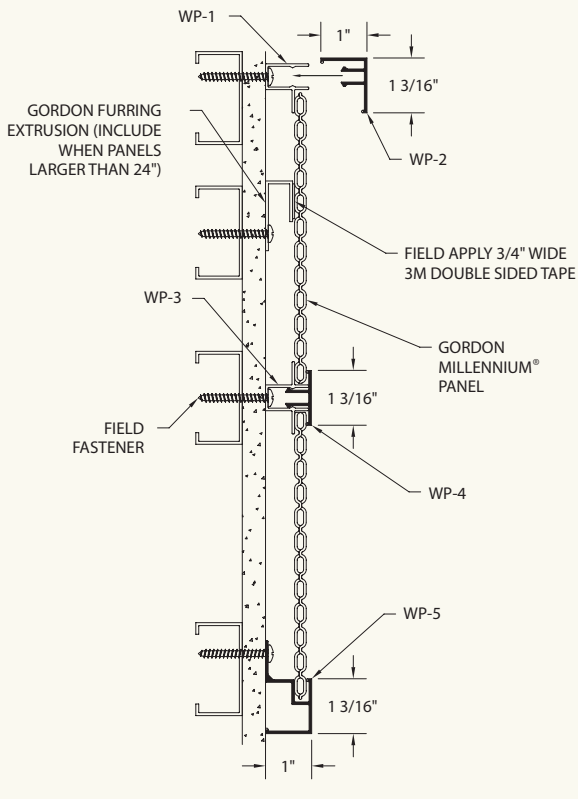


GRIFFITH PARK OBSERVATORY
Los Angeles, CA



HORN HIGH SCHOOL
Mesquite, TX

TRIM OPTIONS



MILLENNIUM[®] COLUMN ENCLOSURES

DESIGN ELEMENTS

MATERIAL:

- .063" aluminum or 18 ga. galvanized steel expanded to 1/4" thick tubular design
- Approximately 40% open area

SIZES:

- Minimum diameter: 12"
- Maximum height before stacking is required: 12'-0" above base

CONNECTION SYSTEM:

- N-gage[™] 2

CONFIGURATIONS:

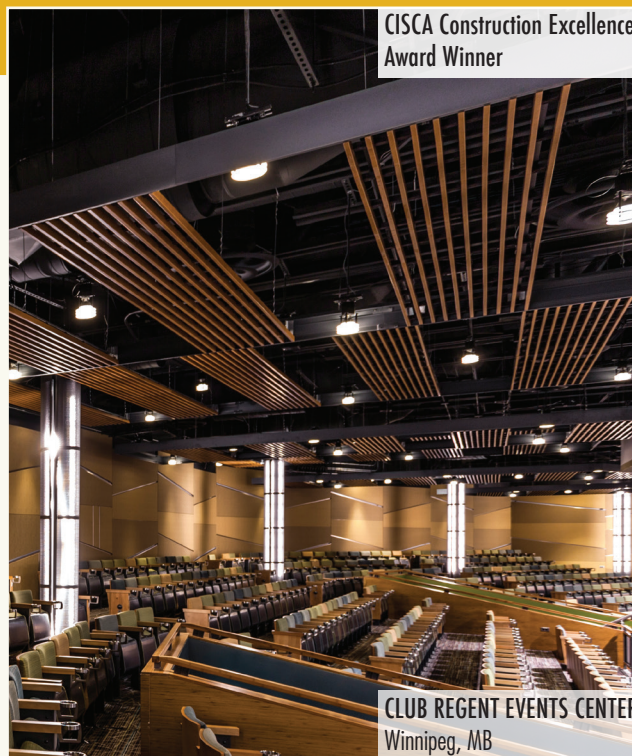
- Quarter Round
- Half Round
- Full Round
- Square
- Custom

LIGHTING:

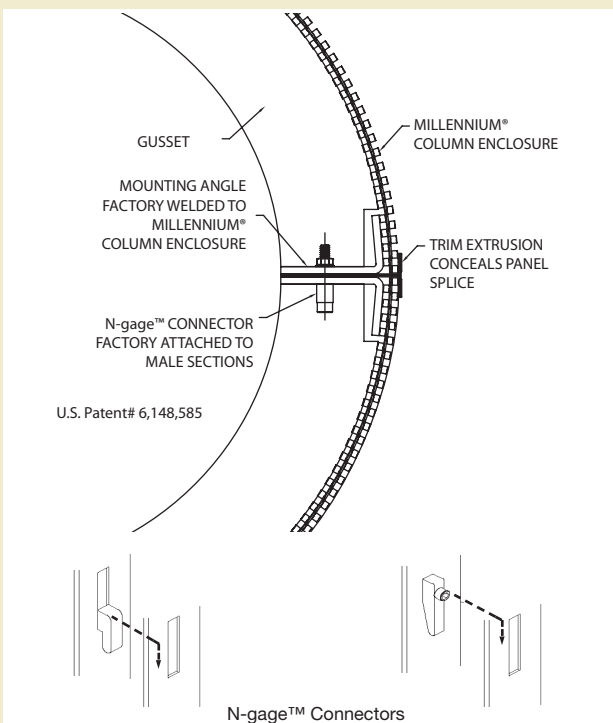
Backlighting adds dynamic visual effects

REVEALS:

Horizontal and vertical

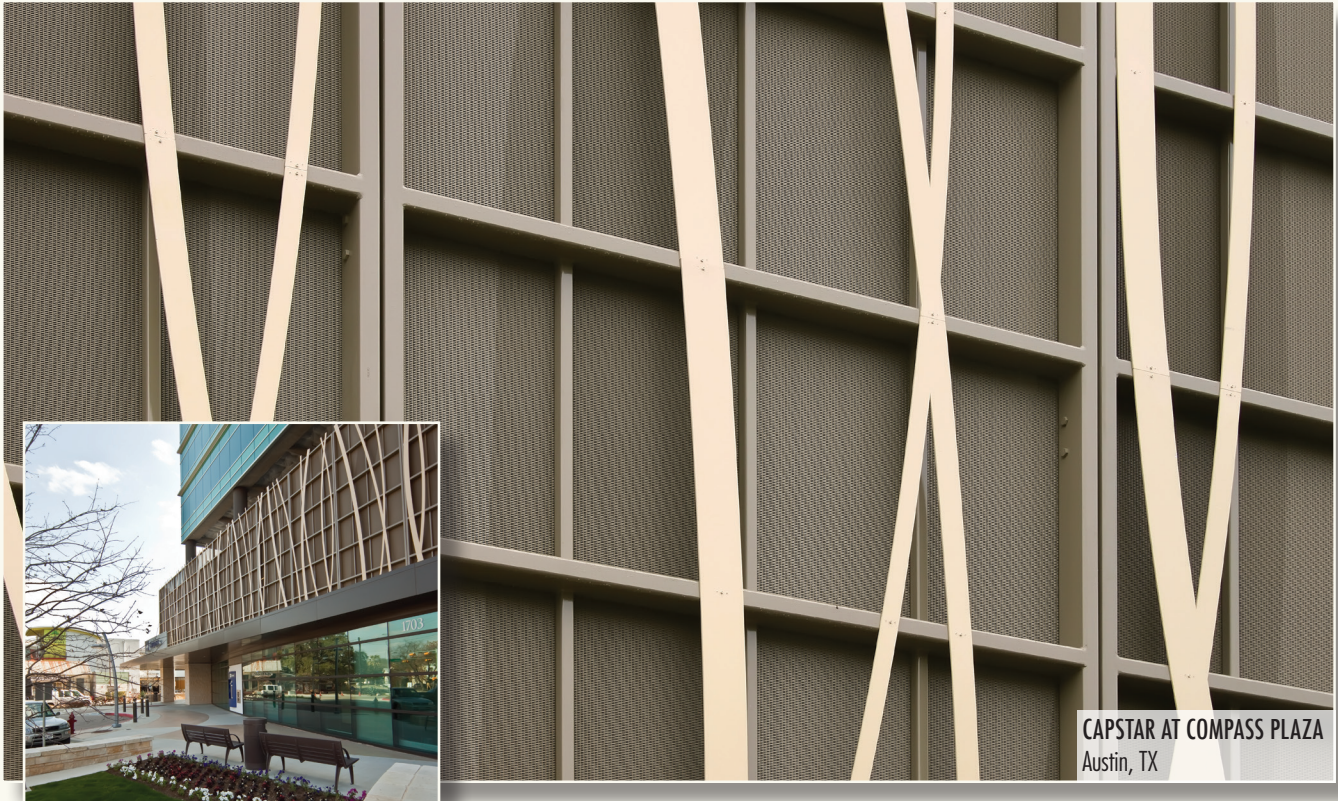


DETAILS



MILLENNIUM[®]

SYSTEM SOLUTIONS FOR CEILING, WALLS, AND COLUMN ENCLOSURES



CAPSTAR AT COMPASS PLAZA
Austin, TX



GEORGE BUSH INTERCONTINENTAL AIRPORT,
INTERNATIONAL ARRIVALS BUILDING
Houston, TX



BB&T UNIVERSITY
Charlotte, NC



PIEDMONT TRIAD INTERNATIONAL AIRPORT
Greensboro, NC

FINISHES

- Powder Coats
 - Standard
 - ACROGUARD® Enhanced Durability
 - ACROGUARD® Textured
 - ACROGUARD®-UVX Durable Exterior
 - ACROSTAT™ Antimicrobial
- PVDF Organic Coatings
 - 50% Resin-based
 - 70% High Performance Resin-based

GREEN BY DESIGN

- Products contribute to LEED®³ certification
- 30 - 40% recycled aluminum panels
 - 30 - 40% pre-consumer content
 - 0% post-consumer content
- 60% recycled aluminum trims
 - 55% pre-consumer content
 - 5% post-consumer content
- In-House Finishes
 - Biodegradable pre-treatment (No phosphates) powder coat
 - No hazardous waste
 - No VOCs
 - No heavy metals
- Reference our sustainable products brochure and website for more information. Recycled content values are subject to change. Contact us for accurate values or job specific requirements.

GORDON[®]
INCORPORATED

5023 HAZEL JONES ROAD, BOSSIER CITY, LA 71111
800.747.8954
800.877.8746 FAX
SALES@GORDON-INC.COM
GORDON-INC.COM
AN EMPLOYEE OWNED COMPANY

¹ FlexHead® is a registered trademark of FlexHead Industries.

² Patent #6,148,585

³ LEED® is a registered trademark of the U.S. Green Building Council.

