

**GORDON**

# 2" Cleanroom Ceiling Systems



**GORDON**  
CLEANROOM PRODUCTS DIVISION

# Grid Systems for Every Application

The fundamental building block of a cleanroom ceiling grid system is the connection/suspension system. It is important to select the most appropriate system matching the ceiling grid performance and compatibility design requirements to your cleanroom. Gordon offers several system options that, when mated with our numerous extruded aluminum grid types, provide the greatest number of speciality application-based cleanroom ceiling systems available from a single source.



## Gordon 20-SERIES Grid System

Gordon's 20-Series grid system utilizes Gordon's **G-20** zinc-plated steel connectors and 1/4-20 right-hand/left-hand threaded rods with turnbuckles for suspension from building structure via 1/4-20 all-thread. The **G-20** standard duty connection/suspension system forms the basis for Gordon's top selling DS-20 and WS-20 2-inch cleanroom ceilings. Designed to mate with all of our 2-inch cleanroom ceiling grid extrusions, the Gordon 20-Series systems offer the most cost-effective solutions for your typical cleanroom ceiling structural requirements.



## Gordon 38-SERIES Grid System

Utilizing **G-38** heavy duty zinc alloy castings and 3/8-16 threaded rod suspension, Gordon's 38-Series cleanroom ceiling systems provide 2-inch ceiling grids unsurpassed for strength and structural integrity. The **G-38** castings are especially recommended when ceiling systems are to be walkable or to carry dead loads such as process or utility racking or material handling systems. Gordon offers all of the 38-Series cleanroom ceiling systems with 3/8-16 right-hand/left-hand threaded rods and turnbuckles for suspension from building structure via 3/8-16 all-thread. And the **G-38** connectors mate perfectly with all of Gordon's cleanroom ceiling grid extrusions, providing the most comprehensive variety of heavy-duty cleanroom ceiling solutions in the industry.



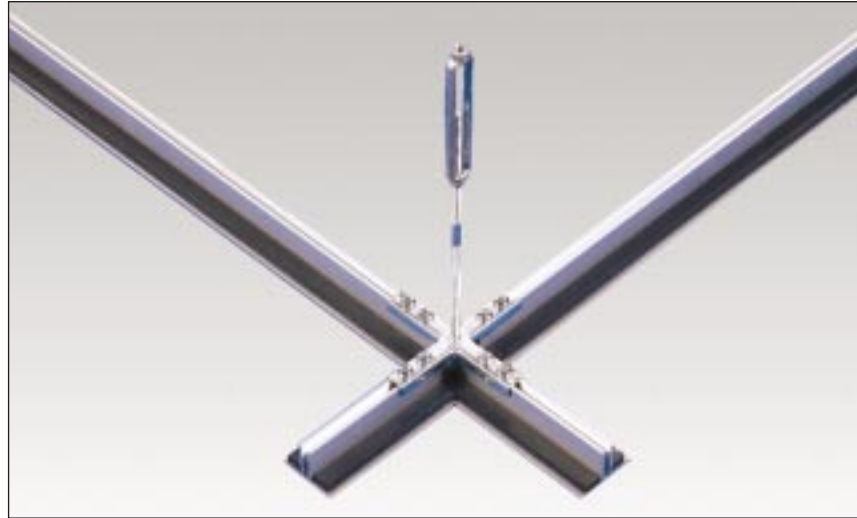
## Gordon "LOCATOR" Grid System

The innovative Gordon "**LOCATOR**" System provides faster assembly and greater installation accuracy for Gordon cleanroom ceilings. The casting's LOCATOR rib mates with factory-fabricated notches in the main and perimeter grid members for quick, precise location of cross tees during ceiling system installation. Gordon's **LOC** connectors are aluminum alloy castings which receive a 3/8-16 right-hand/left-hand threaded rod and turnbuckle for suspension from building structure via 3/8-16 all-thread. Once again, Gordon's LOC connectors mate perfectly with all of our cleanroom ceiling grid extrusions, allowing for trouble-free installation for every application requirement.

# DS Gasketed Grid System

## Attributes

- The most widely used 2-inch ceiling grid, Gordon's DS Gasket Grid systems are used in a wide variety of cleanroom applications requiring both structural performance and cost effectiveness.
- All of Gordon's DS systems feature 2-inch wide extruded aluminum grid members joined by one of the Gordon connector systems, rod-hung suspension and factory-applied gaskets.
- Factory-applied gaskets eliminate the need for labor intensive field application.
- **DS-20** utilizes 1/4-20 threaded rod for suspension
- **DS-38** utilizes 3/8-16 threaded rod for suspension
- **DS-LOC** utilizes 3/8-16 threaded rod for suspension, along with custom factory notching for connector location.
- Gordon is the only grid manufacturer providing cross tees with ends which are back cut and coped in our factory to allow for better face alignment, ease of installation, and extra system strength.
- All systems are non-progressive, and can be factory-fabricated to specified grid module sizes.
- Standard grid members can be provided with either clear-anodized or powder coat white finish.



DS-20 Gasketed Grid

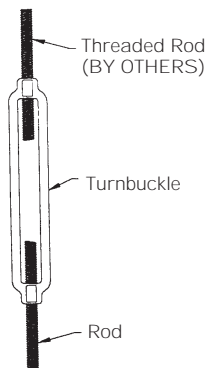
## DS Parts

Part Number	Description	A-Web Depth	B-Flange Width	Length	Weight per LF with gasket	Pieces per carton	Linear feet per carton
DS-20-MT	Main Tee	1-3/8"	2"	12'	0.75	8	96
DS-20-48	4' Cross Tee	1-3/8"	2"	4'	0.75	16	144
DS-20-24	2' Cross Tee	1-3/8"	2"	2'	0.75	36	72
DS-20-WA	Wall Angle	1-3/8"	1-1/4"	12'	0.64	12	144
Perimeter trim angle (specify size)	Wall angle works in conjunction with perimeter tee						

## 2" Grid Connectors & Hardware

Part Number	Description	Requirement
<b>4-way</b> G-20, G-38, or LOC	4-way intersection connector (8 bolts required)	1 per intersection
<b>MTS</b> G-20, G-38, or LOC	Main tee splice connector (4 bolts required)	1 per main tee
<b>Corner*</b> G-20, G-38, or LOC <i>*for G-38 specify inside or outside corner</i>	Corner connector (4 bolts required)	1 per corner
<b>3-way</b> G-20, G-38, or LOC	3-way intersection connector (6 bolts required)	As needed
<b>G-20 Rod</b>	1/4-20 x 9" RH/LH Threaded	As needed
<b>Turnbuckle</b>	1/4-20 x 4" Turnbuckle	As needed
<b>G-38 Rod</b>	3/8-16 x 8" RH/LH Threaded	As needed
<b>Turnbuckle 3/8</b>	3/8-16 x 6" Turnbuckle	As needed
<b>DSCL Bolt</b>	1/4-20 x 1" PHCS Bolt	As needed
<b>WSCL Bolt</b>	1/4-20 x 3/8" PHCS Bolt	As needed
<b>HDC-512</b>	Hold-down Clip - 2 legs (1 WSCL bolt required)	As needed
<b>HDC-312</b>	Hold-down Clip - 1 leg (1 WSCL bolt required)	As needed

Rod & Turnbuckle



# DS Gasketed Grid System

## Technical Information

### Extrusions

Grid members shall be extruded of aluminum alloy 6063, with temper T5, and shall feature a continuous 1/4-20 screw boss for field attachment of connecting and suspending devices. Cross tees shall have ends which are factory back cut and coped for optimal face alignment and system strength.

### Finishes

Standard finishes are either clear-anodized or white powder coat. Custom finishes are also available.

### Factory Applied Gaskets:

Standard DS-Series gasketing is black closed-cell PVC material with a smooth surface and adhesive backing. Gaskets are 1/4-inch thick by 5/8-inch wide, and have factory die cut ends with a 3/8" overhang for airtight field fit during installation. Gasket ends are protected by a release sheet, to be removed during installation in order to affect a leak-proof seal at grid intersections. Custom gaskets are available for factory application. Special properties may include adhesive on one or both sides, low off-gassing cellular

urethane, low VOC material; neoprene, polyethylene or other composition; antibacterial; or fire-retardant.

### Light Fixture Compatibility

**Lay-In fixtures:** Gordon's DS systems can be furnished in standard cleanroom grid modules for compatibility with typical cleanroom lay-in light fixtures. However, it is important to specify the correct grid module size to ensure appropriate light fixture and lighting supplier selection.

**Teardrop fixtures:** Gordon's DS systems are designed to mate perfectly with standard 2-inch teardrop light fixtures. For greatest ease of installation, consider the Gordon DS-ScrewSlot extrusion shown at right.



DS-ScrewSlot with gasket

### DS-ScrewSlot Grid

When utilizing in-room utility/ process pipe racking or teardrop light fixtures with 2-inch grid, consider the DS-ScrewSlot for the fastest, simplest, and cleanest installation alternative. Featuring a 1/4-20 continuous screw boss in the room side surface of the main tee, the DS-ScrewSlot extrusion allows for fast easy attachment of fasteners, rack attachments or teardrop light fixtures. And *no drilling is required*, making installation of lighting and accessories clean and simple. A vinyl trim insert provides an attractive, secure seal for mains where no attachments are installed. The insert may be removed, trimmed, or relocated as additional equipment is installed or relocated. Consider this labor-saving, value added solution when reviewing your unique cleanroom design requirements.

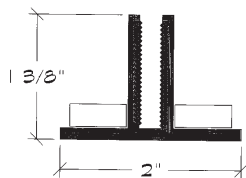
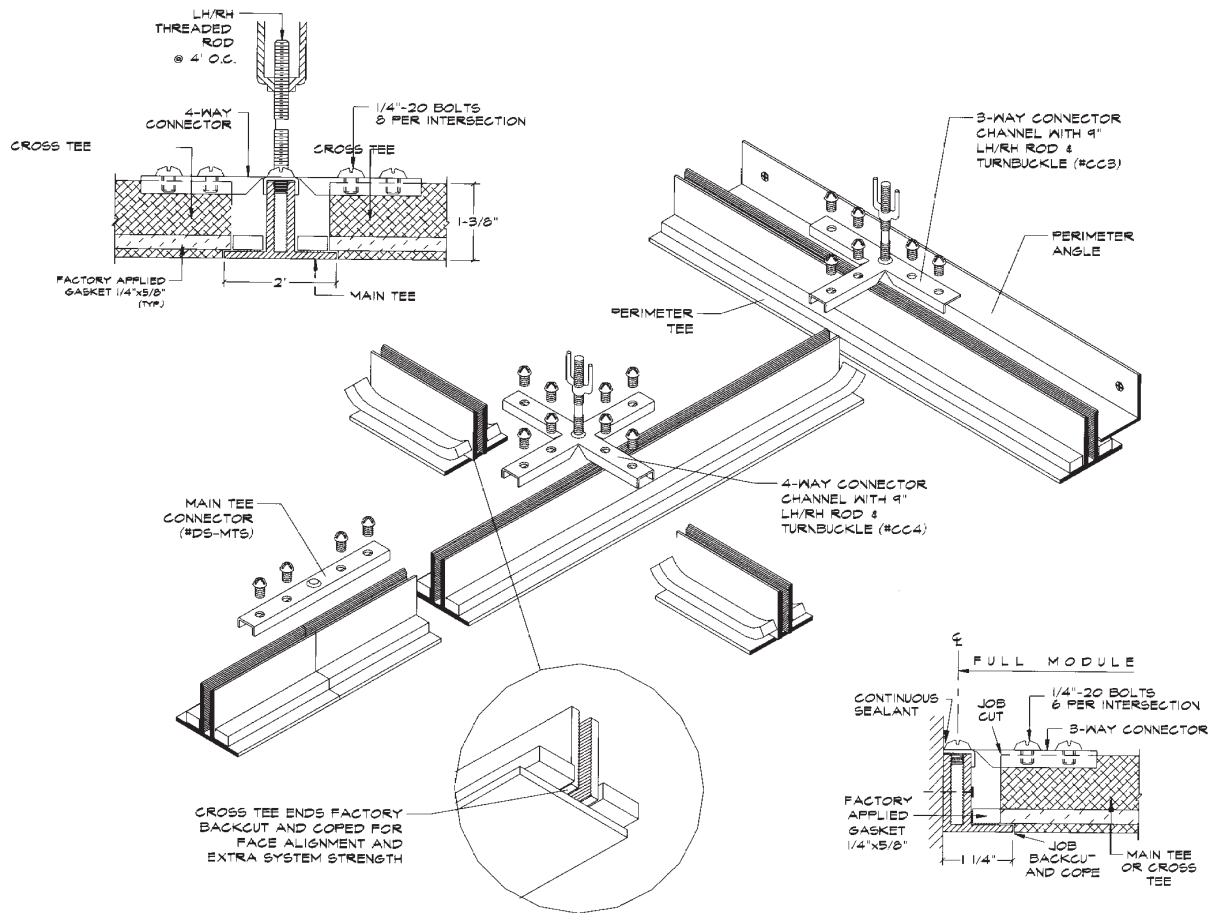
### DS Load Table

Deflection Formula	L/360	L/180	L/360
Hanger Spacing (Span)	48"	48"	24"
Main Tee Spacing	48"	48"	48"
Maximum Point Load (LBS)	106	168	336
Maximum Uniform Load (LBS./LF)	26.5	42	168
Applied Load (LBS./SF)	6.6	10.5	42
Deflection at mid-span	1/8"	1/4"	1/16"

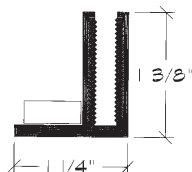
### Custom specification inquiries.

For inquiries regarding custom product application, specification and pricing, contact your Gordon Cleanroom Products Division representative or Customer Service at P.O. Box 4347, Shreveport, LA 71134, 888-315-1561, or outside the U.S. (318) 213-5020.

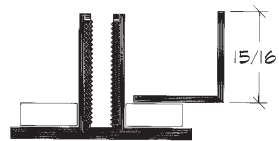
# DS Installation Details



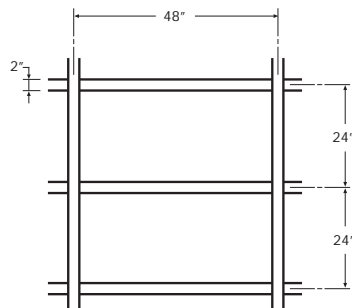
DS-20-MT  
DS-20-48  
DS-20-24



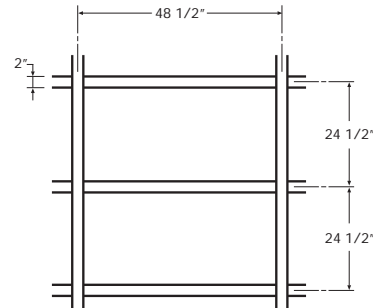
DS-20-WA



DS-20-PT  
& ANGLE

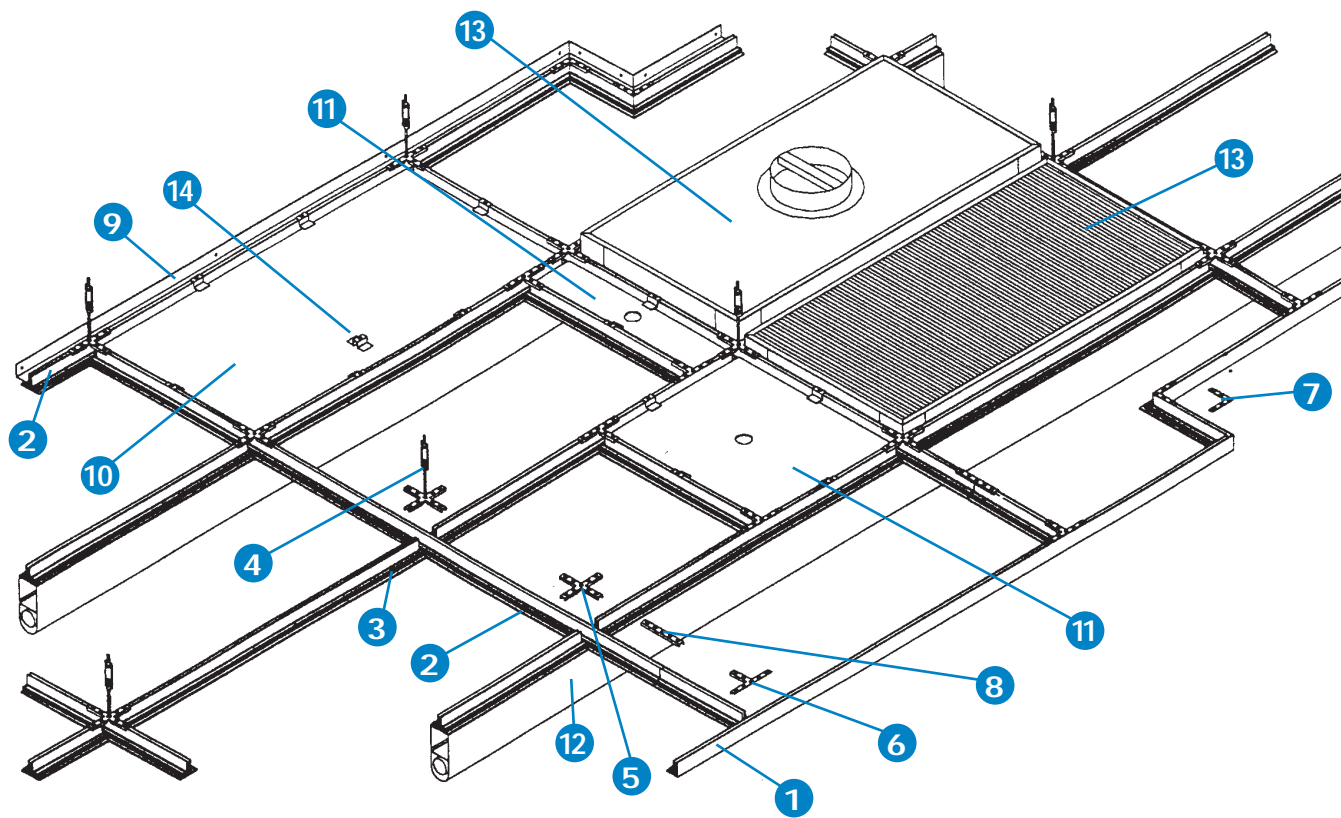


PARTIAL REFLECTED CEILING PLAN  
24" X 48" GRID MODULE



PARTIAL REFLECTED CEILING PLAN  
24 1/2" X 48 1/2" GRID MODULE

# DS Components & Accessories



**1. DS-20 PERIMETER ANGLE:** 12' extruded aluminum wall angles are butted together and sealed for continuous installation.

**2. DS-20 MAIN TEE:** 12' extruded aluminum main tees have square cut ends and are joined together using the main tee splice connector.

**3. DS- CROSS TEE:** 4' or 2' extruded aluminum cross tees are back cut and coped at each end to ensure a secure connection to the main tee.

**4. ROD/TURNBUCKLE:** ASTM rated LH/RH 9" long 1/4"- 20 or 3/8"- 16 threaded zinc plated steel rod with ASTM rated 4" LH/RH zinc plated steel turnbuckle spaced on 48" centers or as required.

**5. 4-WAY CONNECTOR:** Specify G-20, G-38, or LOC connector with eight zinc plated steel bolts used at the intersection of two cross tees and the main tee.

**6. 3-WAY CONNECTOR:** Specify G-20, G-38, or LOC connector with six zinc plated steel bolts used at the intersection of tees and perimeter condition.

**7. 2-WAY CORNER CONNECTOR:** Specify G-20, G-38, or LOC connector with four zinc plated steel bolts used at a perimeter corner condition.

**8. MAIN TEE SPLICE CONNECTOR:** Specify G-20, G-38, or LOC connector with four zinc plated steel bolts used to splice together main tees.

**9. PERIMETER ANGLE TRIM:** Aluminum closure for the space between the floating perimeter tee and wall, as required from 1" to 5 1/2".

**10. BLANK PANELS:** Blank panels fabricated and finished to project specifications, are available in standard 2' x 4' and custom sizes.

**11. SPRINKLER ADAPTER PANEL -** Custom blank panels with factory penetration to accommodate a separate 1" sprinkler drop. Finished to match grid.

**12. LIGHTS-TEAR DROP:** Teardrop type light fixtures may be mounted directly to flat flange of the tee. Lighting supplied by others.

**13. FILTER MODULES:** Pressurized plenum applications or ducted modules are compatible with the DS or WS system.

**14. HOLD DOWN CLIPS:** Optional hold down clips for panels.

# WS Gel Seal Grid System

## Attributes

- Gordon's WS Gel Grid systems are used in a variety of pressurized plenum cleanroom applications, including semiconductor, microelectronic, pharmaceutical, biotechnology, medical device, and aerospace.
- All of Gordon's WS systems feature 2-inch wide extruded aluminum grid members joined by one of the Gordon connector systems, rod-hung suspension and factory-notched gel channels for simple cross tee location and rapid field installation.
- **WS-20** utilizes 1/4-20 threaded rod for suspension
- **WS-38** utilizes 3/8-16 threaded rod for suspension
- **WS-LOC** utilizes 3/8-16 threaded rod for suspension, along with custom factory notching for connector location.
- Gordon is the only grid manufacturer providing cross tees with ends which are back cut and coped in our factory to allow for better face alignment, ease of installation, and extra system strength.
- All systems are non-progressive, and can be factory-fabricated to specified grid module sizes.
- Standard grid members can be provided with either clear-anodized or powder coat white finish.



WS-20 Gel Seal Grid

### WS Parts

Part Number	Description	A-Web Depth	B-Flange Width	Length	Weight per LF	Pieces per carton	Linear feet per carton
WS-20-MT	Main Tee	2-1/32"	2"	12'	0.85	8	96
WS-20-48	Cross Tee	2-1/32"	2"	4'	0.85	16	144
WS-20-24	Cross Tee	2-1/32"	2"	2'	0.85	36	72
WS-20-WA	Wall Angle	2-1/32"	1-1/4"	12'	0.54	12	144
WS-20-PT	Perimeter tee/notched 24" or 48" O.C.	2-1/32"	2"	12'	0.85	8	96
WS-PZ "Z" trim (specify size)	Perimeter "Z" trim works in conjunction with a perimeter tee						

### WS Load Table

Deflection Formula	L/360	L/180	L/360
Hanger Spacing (Span)	48"	48"	24"
Main Tee Spacing	48"	48"	48"
Maximum Point Load (LBS)	296	314	629
Maximum Uniform Load (LBS./LF)	74	78.5	314.5
Applied Load (LBS./SF)	18.5	19.6	78.6
Deflection at mid-span	1/8"	1/4"	1/16"

# WS Gel Seal Grid System

## Technical Information

### Extrusions

Grid members shall be extruded of aluminum alloy 6063, with temper T5, and shall feature upturned flanges to create a channel to receive the filter sealant gel, and a continuous 1/4-20 screw boss for field attachment of connecting and suspending devices. Cross tees shall have ends which are factory back cut and coped for optimal face alignment and system strength.

### Finishes

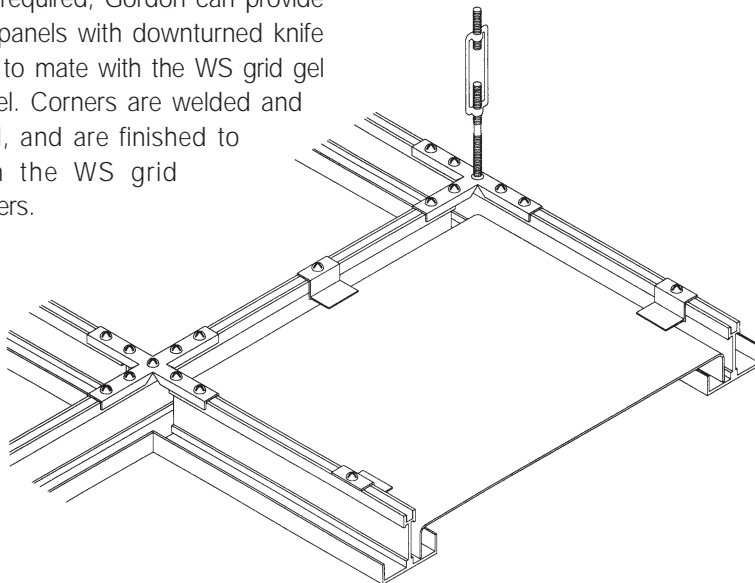
Standard finishes are either clear-anodized or white powder coat. Custom finishes are also available.

### Light Fixture Compatibility

**Teardrop fixtures:** Gordon's WS systems are designed to mate perfectly with standard 2-inch teardrop light fixtures. For greatest ease of installation, consider the Gordon WS-ScrewSlot extrusion shown at right.

### Custom WS Blank Panels

When required, Gordon can provide blank panels with downturned knife edges to mate with the WS grid gel channel. Corners are welded and sealed, and are finished to match the WS grid members.



### Custom specification inquiries.

For inquiries regarding custom product application, specification and pricing, contact your Gordon Cleanroom Products Division representative or Customer Service at P.O. Box 4347, Shreveport, LA 71134, 888-315-1561, or outside the U.S. (318) 213-5020.

### Fire Protection:

Fire sprinkler penetrations may be accomplished via nominal 6-inch x 24-inch sprinkler blank panels, clamped in place and having a hole for sprinkler pipe installation. Optional thru-grid sprinkler provision is available utilizing exclusive FlexHead fire sprinkler assemblies thru factory fabricated grid penetrations. These assemblies are F.M. approved, and feature 6-foot long flexible stainless steel supply pipe on a 24-inch long nipple with mounting brackets and factory-installed sprinkler head.



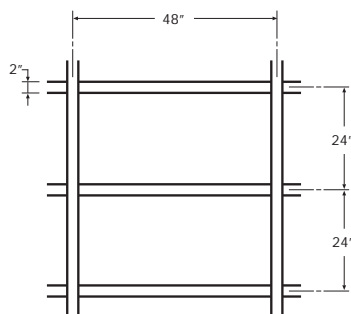
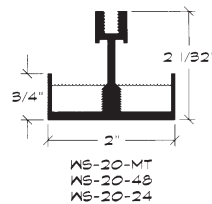
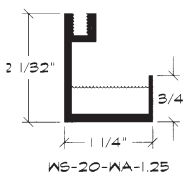
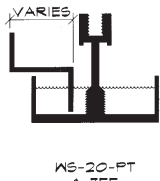
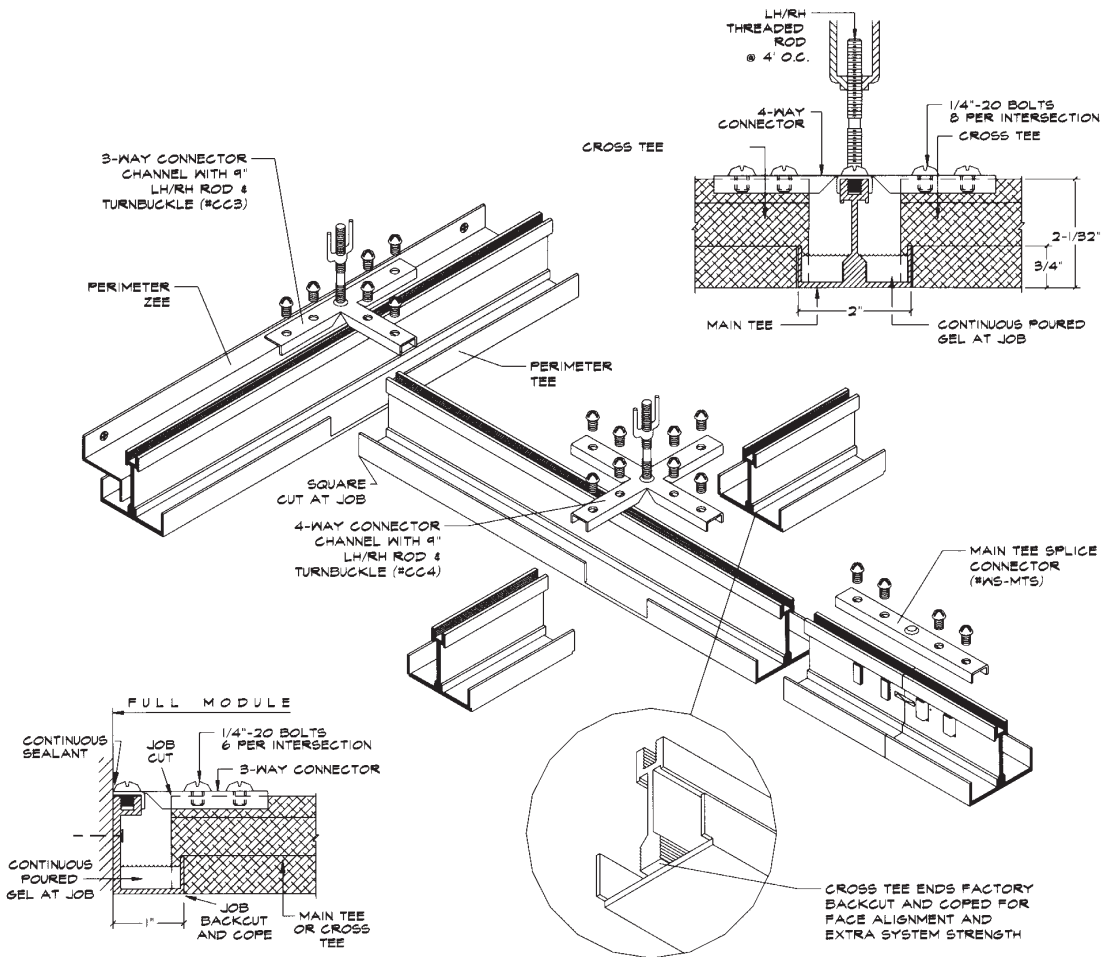
WS-ScrewSlot Grid

### WS-ScrewSlot Grid

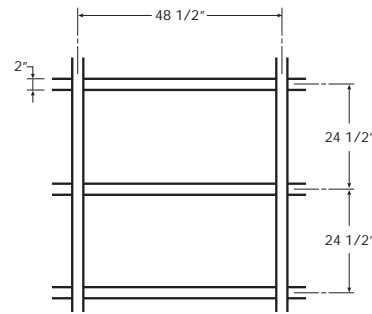
When utilizing in-room utility/process pipe racking or teardrop light fixtures with 2-inch grid, consider the WS-ScrewSlot (shown above) for the fastest, simplest, and cleanest installation alternative. Featuring a 1/4-20 continuous screw boss in the room side surface of the main tee, the WS-ScrewSlot extrusion allows for fast easy attachment of fasteners, rack attachments or teardrop light fixtures. And *no drilling is required*, eliminating any potential leak path into the cleanroom from the pressure plenum, and making installation of lighting and accessories clean and simple. A vinyl trim insert provides an attractive, secure seal for mains where no attachments are installed. The insert may be removed, trimmed, or relocated as additional equipment is installed or relocated. Consider this labor-saving, value added solution when reviewing your unique cleanroom design requirements.



# WS Installation Details

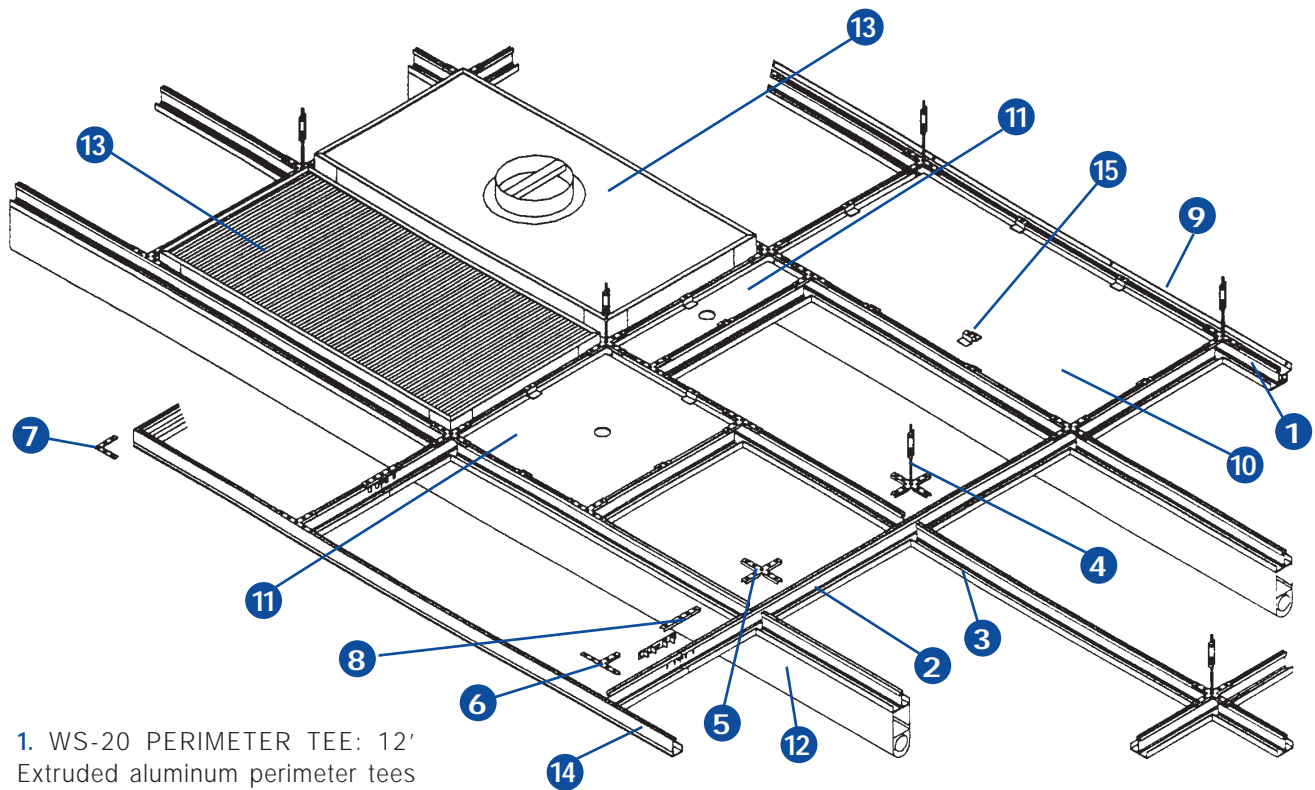


PARTIAL REFLECTED CEILING PLAN  
24" X 48" GRID MODULE



PARTIAL REFLECTED CEILING PLAN  
24 1/2" X 48 1/2" GRID MODULE

# WS Components & Accessories



**1. WS-20 PERIMETER TEE:** 12' Extruded aluminum perimeter tees provide an excellent solution for maintaining standard filter sizes and interfacing with uneven walls. Perimeter tees are factory notched on 24" or 48" centers, or as required to accommodate intersecting cross tees.

**2. WS-20 MAIN TEE:** Extruded aluminum main tees are shipped in 12' lengths and factory notched on 24" or 48" centers, or as required. Each main tee has a square cut end and are joined together using the main tee splice connector.

**3. DS-CROSS TEE:** 4' or 2' extruded aluminum cross tees are back cut and coped at each end to ensure a secure connection to the main tee.

**4. ROD/TURNBUCKLE:** ASTM rated LH/RH 9" long 1/4" threaded zinc plated steel rod with ASTM rated 4" LH/RH zinc plated steel turnbuckle spaced on 48" centers or as required.

**5. 4-WAY CONNECTOR:** Specify G-20, G-38, or LOC connector with eight zinc plated steel bolts used at the intersection of two cross tees and the main tee.

**6. 3-WAY CONNECTOR:** Specify G-20, G-38, or LOC connector with six zinc plated steel bolts used at the intersection of tees and perimeter condition.

**7. 2-WAY CORNER CONNECTOR:** Specify G-20, G-38, or LOC connector with four zinc plated steel bolts used at a perimeter corner condition.

**8. MAIN TEE SPLICE CONNECTOR:** Specify G-20, G-38, or LOC connector with four zinc plated steel bolts used to splice together main tees.

**9. PERIMETER TRIM:** Aluminum closure for the space between the floating perimeter tee and wall, as required from 1" to 5 1/2".

**10. BLANK PANELS:** Blank panels with knife edge are fabricated from aluminum sheet with welded and sealed corners; painted to match the grid.

**11. SPRINKLER ADAPTER PANEL -** Custom panels with knife edges and a factory penetration to accommodate a separate 1" Sprinkler drop. Finished to match grid.

**12. LIGHTS-TEAR DROP:** Teardrop type light fixtures may be mounted directly to flat flange of the tee. Lighting supplied by others.

**13. FILTER MODULES:** Pressurized plenum applications or ducted modules are compatible with the DS or WS system.

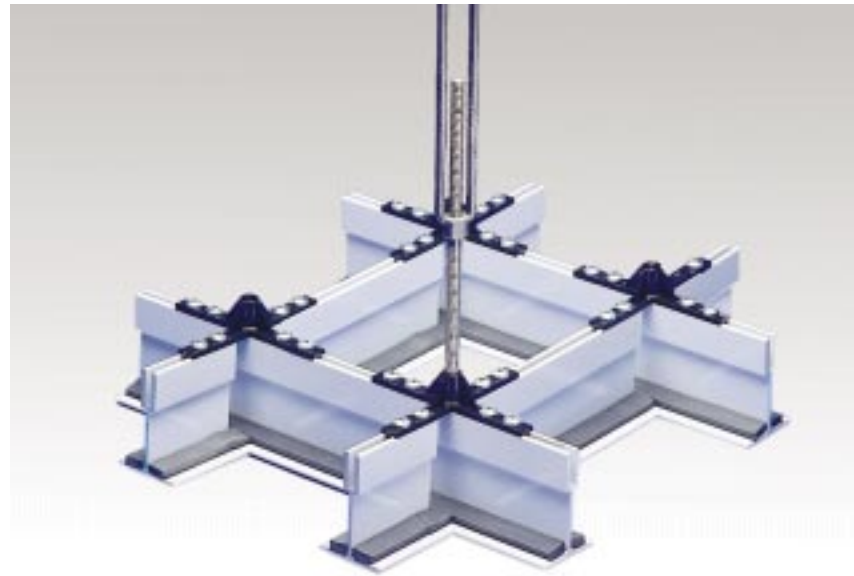
**14. WS-20 PERIMETER ANGLE:** 12' extruded aluminum wall angles are butted together and sealed for continuous installation.

**15. HOLD DOWN CLIPS:** Optional hold down clips for panels.

# WG "Walkable" Gasket Grid System

## Attributes

- Walkable ceiling systems serve as an effective alternative to costly and obstructive catwalk systems in the cleanroom plenum.
- Gordon's WG Walkable Gasket Grid system provides the necessary structural integrity required of a truly walkable ceiling system. Having a specially engineered 3" tall vertical web, the extruded aluminum grid members serve as a structural beam to carry the extraordinary live and combined loads typically applied to a walkable ceiling system.
- All of Gordon's WG systems feature 2-inch wide extruded aluminum grid members joined by one of the Gordon connector systems, rod-hung suspension and factory-applied gaskets.
- Factory-applied gaskets eliminate the need for labor intensive field application.
- **WG-38** utilizes 3/8-16 threaded rod for suspension, and is the most highly recommended for walkable applications among Gordon's connector options.
- 1/4-20 rod hung WG-20 and 3/8-16 rod hung WG-LOC "LOCATOR"-type systems are also available.
- Gordon is the only grid manufacturer providing cross tees with ends which are back cut and coped in our factory to allow for better face alignment, ease of installation, and extra system strength.
- All systems are non-progressive, and can be factory-fabricated to specified grid module sizes.
- Standard grid members can be provided with either clear-anodized or powder coat white finish.



WG-LOC Walkable Gasket Grid with LOCATOR connectors

## WG Parts

Part Number	Description	A-Web Depth	B-Flange Width	Length	Weight per LF with gasket	Pieces per carton	Linear feet per carton
WG-20-MT	Main Tee	2-31/32"	2"	12'	0.92	8	96
WG-20-48	Cross Tee	2-31/32"	2"	4'	0.92	16	144
WG-20-24	Cross Tee	2-31/32"	2"	2'	0.92	36	72
WG-20-WA	Wall Angle	2-31/32"	1-1/4"	12'	0.89	12	144
WG-20-PT	Perimeter tee/notched 24" or 48" O.C.	2-31/32"	2"	12'	0.92	8	96
Perimeter trim angle (specify size)	Wall angle works in conjunction with perimeter tee						

## WG Load Table

Deflection Formula	L/360	L/360	L/360	L/360
Hanger Spacing (Span)	24"	24"	48"	48"
Main Tee Spacing	24"	48"	48"	24"
Maximum Point Load (LBS Static)	1242	1242	621	621
Applied Load (LBS./SF Dynamic)	310	155	38	77
Deflection at mid-span	1/16"	1/16"	1/8"	1/8"

*Note: Filters, light fixtures, and blank panels must be of walkable design for the ceiling installation to be truly walkable.*

# WG "Walkable" Gasket Grid System

## Technical Information

### Extrusions

Grid members shall be extruded of aluminum alloy 6063, with temper T5, and shall feature a continuous 1/4-20 screw boss for field attachment of connecting and suspending devices. Cross tees shall have ends which are factory back cut and coped for optimal face alignment and system strength.

### Finishes

Standard finishes are either clear-anodized or white powder coat. Custom finishes are also available.

### Factory Applied Gaskets:

Standard WG-Series gasketing is black closed-cell PVC material with a smooth surface and adhesive backing. Gaskets are 1/4-inch thick by 5/8-inch wide, and have factory die cut ends with a 3/8" overhang for airtight field fit during installation. Gasket ends are protected by a release sheet, to be removed during

installation in order to effect a leak-proof seal at grid intersections. Custom gaskets are available for factory application. Special properties may include adhesive on one or both sides, low off-gassing cellular urethane, low VOC material; neoprene, polyethylene or other composition; antibacterial; or fire-retardant.

### Light Fixture Compatibility

**Lay-In fixtures:** Gordon's WG systems can be furnished in standard cleanroom grid modules for compatibility with typical cleanroom lay-in light fixtures. However, it is important to specify the correct grid module size to ensure appropriate light fixture and manufacturer selection.

**Teardrop fixtures:** Gordon's WG systems are designed to mate perfectly with standard 2-inch teardrop light fixtures. For greatest ease of installation, consider the Gordon WG-ScrewSlot extrusion shown at right.

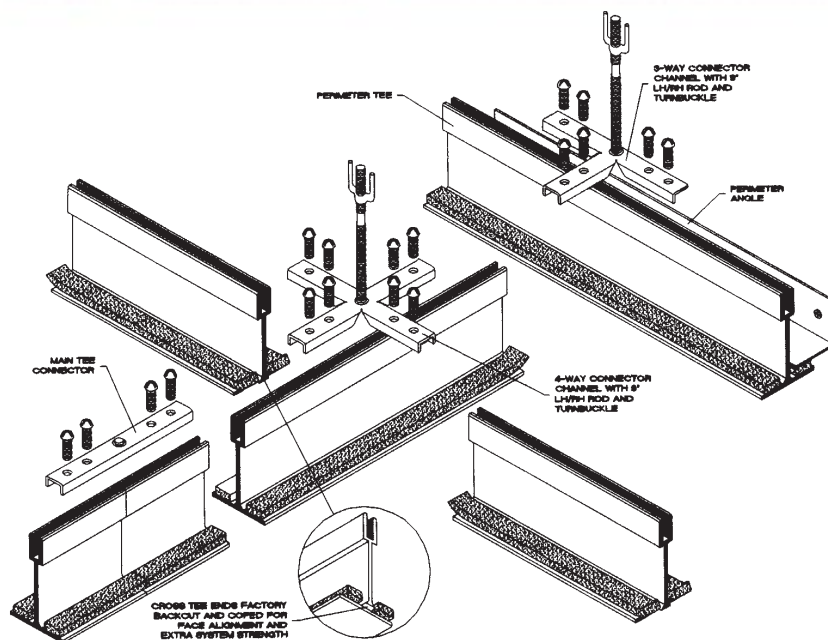


WG-ScrewSlot Grid

### WG-ScrewSlot Grid

When utilizing in-room utility/process pipe racking or teardrop light fixtures with 2-inch grid, consider the WG-ScrewSlot for the fastest, simplest, and cleanest installation alternative. Featuring a 1/4-20 continuous screw boss in the room side surface of the main tee, the WG-ScrewSlot extrusion allows for fast easy attachment of fasteners, rack attachments or teardrop light fixtures. And *no drilling is required*, making installation of lighting and accessories clean and simple. A vinyl trim insert provides an attractive, secure seal for mains where no attachments are installed. The insert may be removed, trimmed, or relocated as additional equipment is installed or relocated. Consider this labor-saving, value added solution when reviewing your unique cleanroom design requirements.

## WG "Walkable" Installation Details



### Custom specification inquiries.

For inquiries regarding custom product application, specification and pricing, contact your Gordon Cleanroom Products Division representative or Customer Service at P.O. Box 4347, Shreveport, LA 71134, 888-315-1561, or outside the U.S. (318) 213-5020.

# LW "Walkable" Gel Seal Grid System

## Attributes

- Walkable ceiling systems serve as an effective alternative to costly and obstructive catwalk systems in the cleanroom plenum.
- Gordon's LW Walkable Gel Seal Grid system provides the necessary structural integrity required of a truly walkable ceiling system. Having a specially engineered 3" tall vertical web, the extruded aluminum grid members serve as a structural beam to carry the extraordinary live and combined loads typically applied to a walkable ceiling system.
- All of Gordon's LW systems feature 2-inch wide extruded aluminum grid members joined by one of the Gordon connector systems, rod-hung suspension and factory-notched gel channels for simple cross tee location and rapid field installation.
- **LW-38** utilizes 3/8-16 threaded rod for suspension, and is the most highly recommended for walkable applications among Gordon's connector options.
- 1/4-20 rod hung LW-20 and 3/8-16 rod hung LW-LOC "LOCATOR"-type systems are also available.
- Gordon is the only grid manufacturer providing cross tees with ends which are back cut and coped in our factory to allow for better face alignment, ease of installation, and extra system strength.
- All systems are non-progressive, and can be factory-fabricated to specified grid modules sizes.
- Standard grid members can be provided with either clear-anodized or powder coat white finish.



LW-LOC Walkable Gel Seal Grid with LOCATOR connector

## LW Parts

Part Number	Description	A-Web Depth	B-Flange Width	Length	Weight per LF	Pieces per carton	Linear feet per carton
LW-20-MT	Main Tee	2-31/32"	2"	12'	1.06	8	96
LW-20-48	Cross Tee	2-31/32"	2"	4'	1.06	16	144
LW-20-24	Cross Tee	2-31/32"	2"	2'	1.06	36	72
LW-20-WA	Wall Angle	2-31/32"	1-1/4"	12'	.93	12	144
LW-20-PT	Perimeter tee/notched 24" or 48" O.C.	2-31/32"	2"	12'	1.06	8	96
WS-PZ "Z" trim (specify size)	Perimeter "Z" trim works in conjunction with a perimeter tee						

## LW Load Table

Deflection Formula	L/360	L/360	L/360	L/360
Hanger Spacing (Span)	24"	24"	48"	48"
Main Tee Spacing	24"	48"	48"	24"
Maximum Point Load (LBS Static)	1242	1242	621	621
Applied Load (LBS./SF Dynamic)	310	155	38	77
Deflection at mid-span	1/16"	1/16"	1/8"	1/8"

*Note: Filters, light fixtures, and blank panels must be of walkable design for the ceiling installation to be truly walkable.*

# LW "Walkable" Gel Seal Grid System

## Technical Information

### Extrusions

Grid members shall be extruded of aluminum alloy 6063, with temper T5, and shall feature upturned flanges to create a channel to receive the filter sealant gel, and a continuous 1/4-20 screw boss for field attachment of connecting and suspending devices. Cross tees shall have ends which are factory back cut and coped for optimal face alignment and system strength.

### Finishes

Standard finishes are either clear-anodized or white powder coat. Custom finishes are also available.

### Fire Protection:

Fire sprinkler penetrations may be accomplished via nominal 6-inch x 24-inch sprinkler blank panels, clamped in place and having a hole for sprinkler pipe installation. Optional

thru-grid sprinkler provision is available utilizing exclusive FlexHead fire sprinkler assemblies thru factory fabricated grid penetrations. These assemblies are F.M. approved, and feature 6-foot long flexible stainless steel supply pipe on a 24-inch long nipple with mounting brackets and factory-installed sprinkler head.

### Custom LW Blank Panels

When required, Gordon can provide blank panels with downturned knife edges to mate with the LW grid gel channel. Corners are welded and sealed, and are finished to match the WS grid members.

### Light Fixture Compatibility

**Teardrop fixtures:** Gordon's LW systems are designed to mate perfectly with standard 2-inch teardrop light fixtures. For greatest ease of installation, consider the Gordon LW-ScrewSlot extrusion shown above.

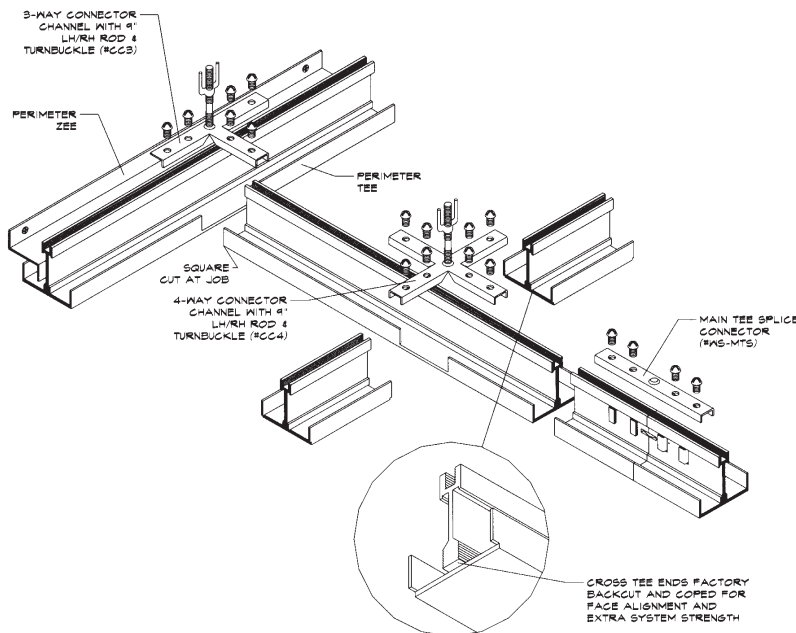


LW-ScrewSlot Grid

### LW-ScrewSlot Grid

When utilizing in-room utility/process pipe racking or teardrop light fixtures with 2-inch grid, consider the LW-ScrewSlot (shown above) for the fastest, simplest, and cleanest installation alternative. Featuring a 1/4-20 continuous screw boss in the room side surface of the main tee, the LW-ScrewSlot extrusion allows for fast easy attachment of fasteners, rack attachments or teardrop light fixtures. And *no drilling is required*, eliminating any potential leak path into the cleanroom from the pressure plenum, and making installation of lighting and accessories clean and simple. A vinyl trim insert provides an attractive, secure seal for mains where no attachments are installed. The insert may be removed, trimmed, or relocated as additional equipment is installed or relocated. Consider this labor-saving, value added solution when reviewing your unique cleanroom design requirements.

## LW "Walkable" Installation Details



### Custom specification inquiries.

For inquiries regarding custom product application specification and pricing, contact your Gordon Cleanroom Products Division representative or Customer Service at P.O. Box 4347, Shreveport, LA 71134, 888-315-1561, or outside the U.S. (318) 213-5020.

# Options and Accessories



## ST-38 Slotted T-Grid

Gordon offers this specially designed gasket seal system for use where automated material handling systems are utilized. Slots in the reinforced flange receive AMHS suspension clips which can be relocated anywhere in the cleanroom, with no drilling required.



## DS-40 Double T-Bar

Gordon's DS-40 Double-T extrusion provides added design versatility to any of our DS gasket seal 2" grid systems. This special 4" wide grid member allows simple through-grid penetrations for rigid fire sprinkler plumbing, static control systems, or other utilities without interfering with filters or lighting fixtures.

## Blank Panels

Regardless which cleanroom ceiling system you select, Gordon can provide an appropriate ceiling blank-off panel. Consult your Gordon sales professional for assistance selecting the panel type most compatible with your cleanroom installation.

## Flexhead Fire Protection

Gordon offers custom fire protection assemblies specially engineered by Flexhead exclusively for use with any of the Gordon cleanroom ceiling systems. Maximum installation ease and flexibility are provided by these fixtures, which include factory installed sprinkler heads, narrow profile reducing nipple, and 6 foot flexible stainless steel sprinkler drop. All fixtures are factory tested and FM approved to assure reliability. Consult your Gordon representative before specifying to ensure selection of the most compatible fixture for your cleanroom installation.

## Hold Down Clips

Hold down clips to secure ceiling fixture insertions are available for all of the Gordon cleanroom ceiling systems. Consult your Gordon sales professional for assistance when specifying the hold down devices for your cleanroom ceiling installation.



## Also From Gordon:

Flush Grid Ceiling Systems  
55mm Lighted Ceiling Systems  
Phantom Fan-Filter Units  
DuraFinish Cleanroom Wall Systems

**GORDON**  
CLEANROOM PRODUCTS DIVISION

P.O. Box 4347  
Shreveport, Louisiana 71134  
5023 Hazel Jones Road  
Bossier City, Louisiana 71111

Tel: 888.315.1561  
Fax: 800.877.8746  
[www.gordongrid.com](http://www.gordongrid.com)  
[sales@gordongrid.com](mailto:sales@gordongrid.com)