

FINAL FORMS I

UNIQUE TRIMS AND SHAPES IN PREFINISHED ALUMINUM

GORDON
INCORPORATED

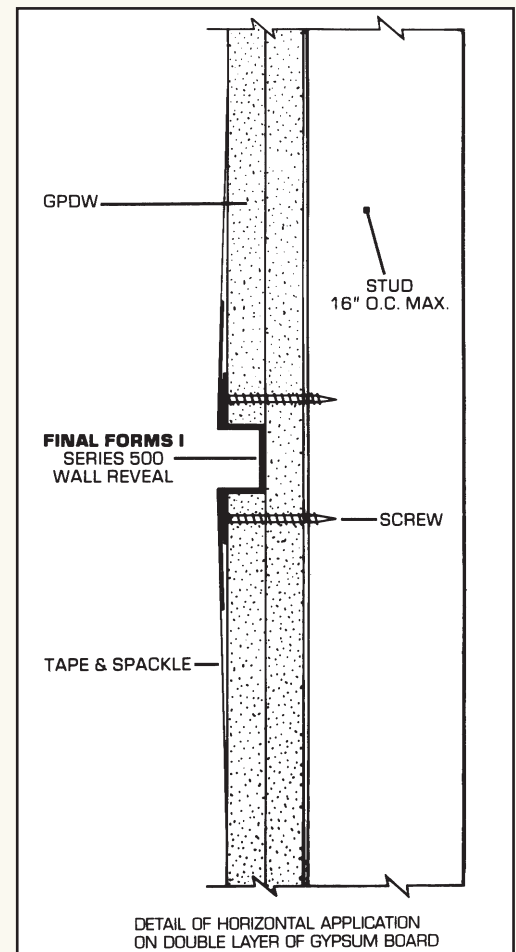
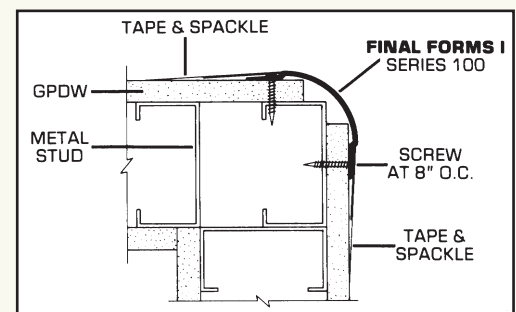
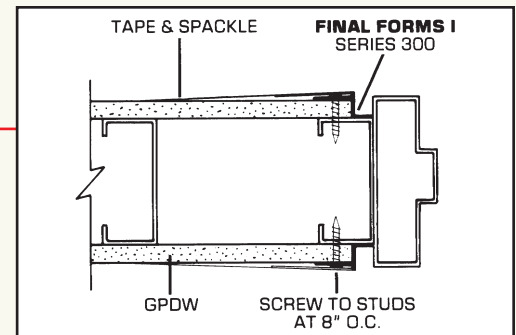
BUY ONLINE ▶

INSTALLATION GUIDE

FINAL FORMS I features a tapered, grooved perforated fin for bonding of drywall compound. Post-applied to a gypsum board surface, they offer concealed fastening of protective and decorative aluminum.

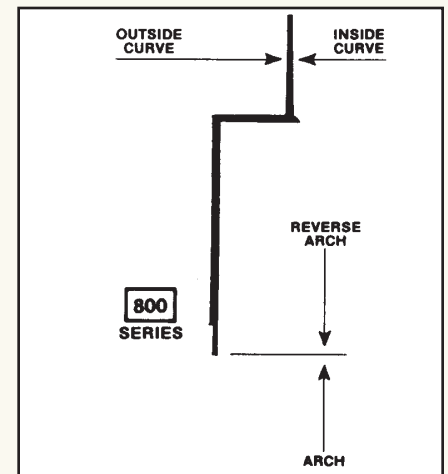
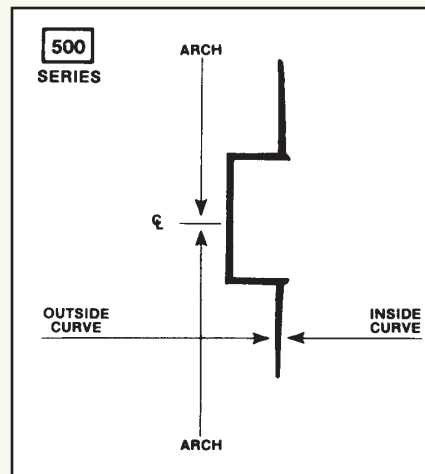
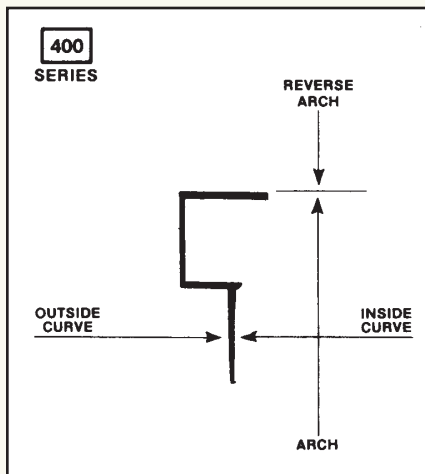
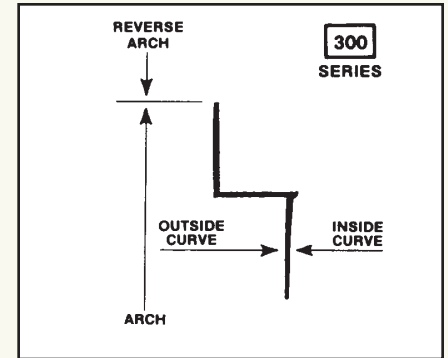
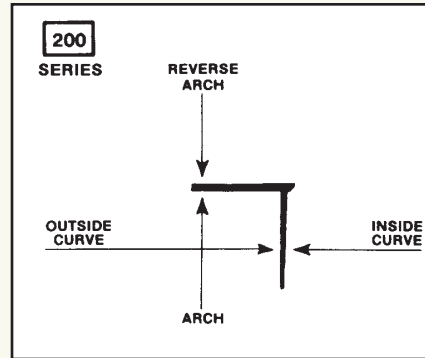
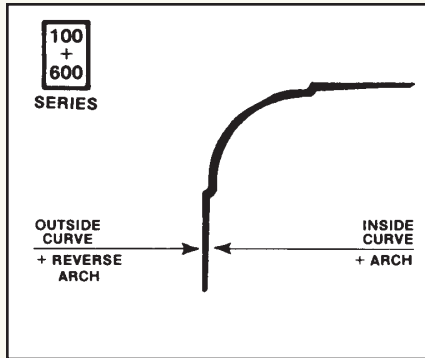
INSTALLATION INSTRUCTIONS

1. Install gypsum board-thickness as specified in accordance with Final Forms I part number.
2. Lay out drywall surface with chalk lines.
3. Cut out gypsum board with router.
4. Cut Final Forms I to proper length. Corners should be mitered. Butt joints should be tight and fastened within 3" of ends.
5. Screw profile through round holes 8" - 24" O.C. with standard bugle head drywall screws. Screws should tap studs where possible. Use screws 5/8" minimum longer than thickness of GPDW. Heavy duty staples may also be used. Check for protrusion of screw heads by drawing a finishing knife across the entire surface length.
6. Do not apply adhesive masking to pre-painted trims for longer than 24 hours. Release sheets are available for most trims for use in lieu of adhesive masking.
7. Tape with fiberglass tape and bed with standard drywall joint procedures. Take care to assure that tape does not overlap the profile shoulder.
8. After proper curing of initial coat (usually 24 hours), apply final skimcoat with an 8" wide flexible metal trowel. Run one edge of the trowel along the shoulder of the profile and the other edge along the gypsum board surface to obtain a flat appearance. Three coats of drywall mud is generally recommended.
9. Clean excess compound from exposed portion of trim. Finish sand and "feather" joint with #220 grit sandpaper. Apply paint or wall covering according to manufacturers' instructions. Trim is coated with a chemical conversion coating for bonding of joint compound and paint. **CAUTION:** Wipe metal with dry cloth or thinner to remove dust, dirt or oils picked up in transit, handling or installation prior to taping, mudding and painting.



FINAL FORMS I

UNIQUE TRIMS AND SHAPES IN PREFINISHED ALUMINUM



WHEN ORDERING OR REQUESTING PRICING FOR CURVED MATERIAL:

- Circle and initial the required curve.
- Indicate the radius of the curve in feet and inches. Please note the point from which the radius is measured. Curving material is done with precision accuracy as the material will not conform to any other radius other than the one to which it was formed.
- Indicate total footage required or number of whole, half, or quarter circles. Indicate the part number required. Please note that curved material is a maximum of 8 ft. in length.
- Fax the completed form to Gordon, Inc. at 800.877.8746.
- Processing of your order will not begin until receipt of the information above.