

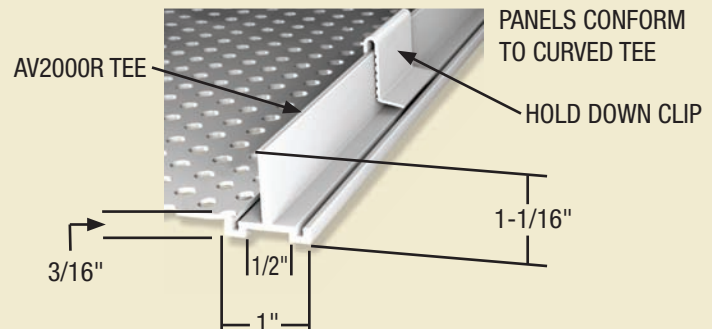
AV 2000R CEILING SYSTEM



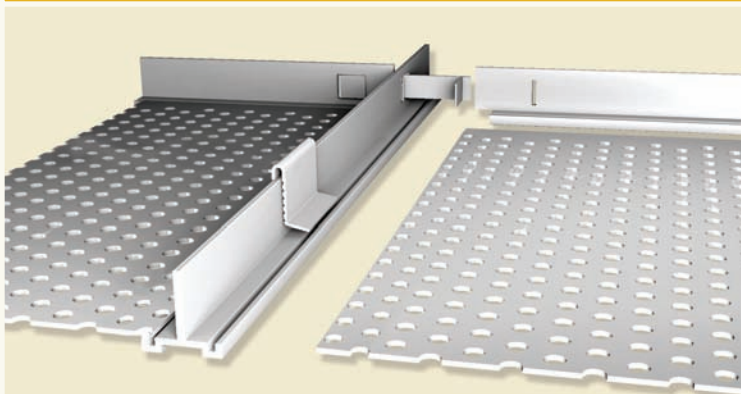
- Durable Metal Ceiling System
Economical Exposed Suspension System
- Suspension System:
1" Extruded Aluminum Projection Tee with 1/2" Reveal
- Panels:
Aluminum, Steel, Stainless Steel, FRP, and MILLENNIUM®
- Finish:
Acrylic "Wet" Paint
Standard Powder Coat
ACROGUARD® Powder Coat
REVELATION™
Wood and Stone Powder Coat
Kynar®
Custom
- Design Elements:
Concave, Convex, Sloped or Undulating
Designer Perforations
- Performance:
Acoustical: NRC up to 1.00
Structure: Light Duty
Seismic: Zones 1, 2, 3 & 4
Fire Rated: Class A
- Green by Design:
66% recycled aluminum
 - 33% post consumer content
 - 33% post industrial content
 Finishes
 - No phosphate / biodegradable pre-treatment
 - No hazardous waste
 - No VOC's
 - No heavy metals



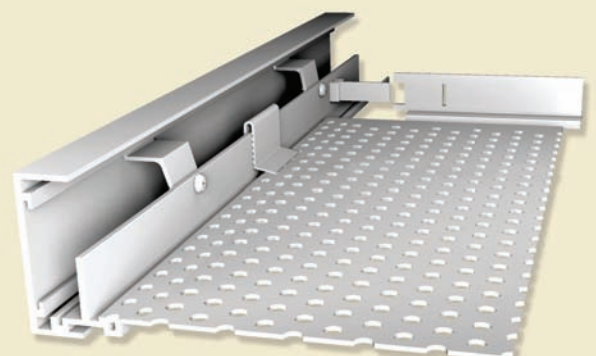
A: PROFILE



B: SUSPENSION



C: PERIMETER



SUBMITTAL



SPECIFICATION

Section: 09 54 00

SUSPENSION

Exposed Suspension: Extruded Aluminum, Light Duty per ASTM C 635
AV 2000R - Face 1", Height 1-1/16", Projection 3/16", Reveal 1/2"

PERIMETER

- Wall Angle _____ x _____
 Wall Molding _____ x _____ x _____
 Contura Straight 1-1/2" 2" 3" 8" 10" 12" 16"
 Contura Curved 1-1/2" 2" 3" 4" 6"
 Contura Twist As Specified Other _____
 Brake Formed _____ x _____ x _____ Aluminum _____ " Steel _____ ga
 Other _____

RADIUS

- As Specified Other _____

PANEL

- Aluminum 0.032" 0.063" 0.090" Other _____
 Steel 22 ga 20 ga 18 ga Other _____
 Stainless Steel 0.040" Other _____
 FRP 0.045" Other _____
 MILLENNIUM® 0.063"

PERFORATION

- Border Full Face 1/2" Nominal Other _____
 Shape Round Square Slot Designer Perforation _____
 Size Diameter _____ On _____ Centers Length _____ x Width _____ On _____ Centers
 Pattern Straight Row Staggered Diagonal Basket Weave

FINISH

- Acrylic "Wet" Paint Color _____ Panel Finish if different than grid _____
 Standard Powder Coat Color _____
 ACROGUARD® Powder Coat Color _____
 REVELATION™ Wood and Stone Finishes Color _____
 Kynar®² Color _____ 50% 70%
 Mechanical (Panels Only) Brushed #4 Other _____
 Other _____ Color _____

ACOUSTICAL

- Non-Woven Fabric Black White Grey Other _____
 Fiberglass Black PVC Wrapped Thickness _____ Density _____ pcf Other _____

PENETRATION

- Lighting Factory Cut Field Cut As Specified Size _____
 Sound Factory Cut Field Cut As Specified Size _____
 Sprinkler Factory Cut Field Cut As Specified Size _____
 Other _____

ACCESSORIES

- Sprinklers FlexHead®³ Model _____ with _____' hose length
 Column Collars As Specified Other _____
 Air Slots As Specified Other _____
 Perimeter Pockets As Specified Other _____
 Control Joints As Specified Other _____

1 LEED® is a registered trademark of U.S. Green Building Council 2 Kynar® is a registered trademark of ARKEMA, Inc.
3 FlexHead® is a registered trademark of FlexHead Industries

