

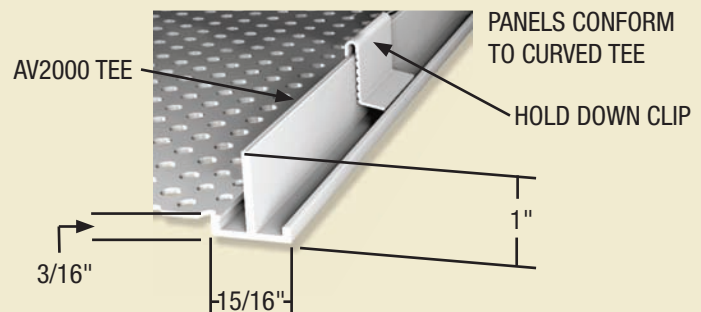
# AV 2000 CEILING SYSTEM



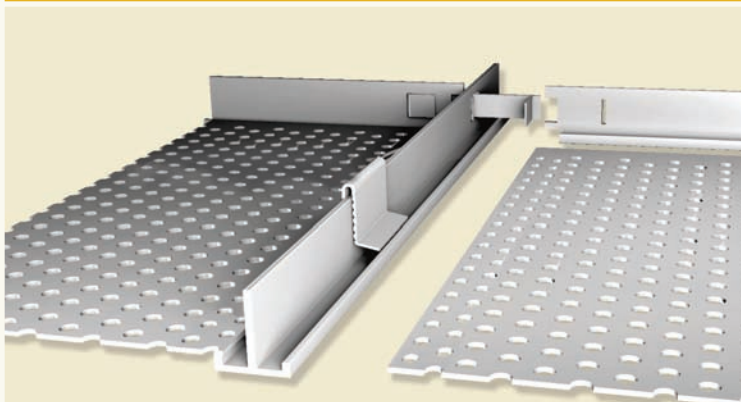
- Durable Metal Ceiling System  
Economical Exposed Suspension System
- Suspension System:  
15/16" Extruded Aluminum Tee
- Panels:  
Aluminum, Steel, Stainless Steel,  
FRP, and MILLENNIUM®
- Finish:  
Acrylic "Wet" Paint  
Standard Powder Coat  
ACROGUARD® Powder Coat  
REVELATION™  
Wood and Stone Powder Coat  
Kynar®  
Custom
- Design Elements:  
Concave, Convex, Sloped or Undulating  
Designer Perforations
- Performance:  
Acoustical: NRC up to 1.00  
Structure: Light Duty  
Seismic: Zones 1, 2, 3 & 4  
Fire Rated: Class A
- Green by Design:  
66% recycled aluminum
  - 33% post consumer content
  - 33% post industrial content
 Finishes
  - No phosphate / biodegradable pre-treatment
  - No hazardous waste
  - No VOC's
  - No heavy metals



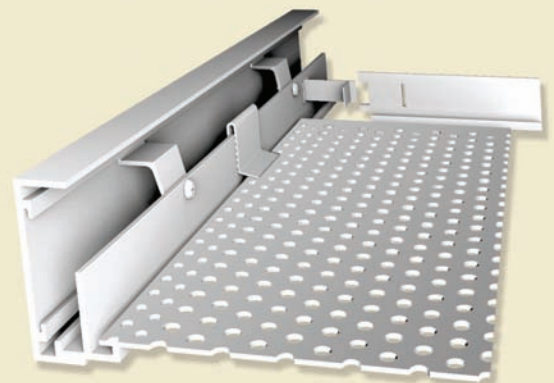
## A: PROFILE



## B: SUSPENSION



## C: PERIMETER



# SUBMITTAL



## SPECIFICATION

Section: 09 54 00

## SUSPENSION

Exposed Suspension: Extruded Aluminum, Light Duty per ASTM C 635  
AV 2000 - Face 15/16", Height 1", Projection 3/16"

## PERIMETER

- Wall Angle \_\_\_\_\_ x \_\_\_\_\_  
 Wall Molding \_\_\_\_\_ x \_\_\_\_\_ x \_\_\_\_\_  
 Contura Straight     1-1/2"     2"     3"     8"     10"     12"     16"  
 Contura Curved     1-1/2"     2"     3"     4"     6"  
 Contura Twist     As Specified     Other \_\_\_\_\_  
 Brake Formed \_\_\_\_\_ x \_\_\_\_\_ x \_\_\_\_\_     Aluminum \_\_\_\_\_ "     Steel \_\_\_\_\_ ga  
 Other \_\_\_\_\_

## RADIUS

- As Specified     Other \_\_\_\_\_

## PANEL

- Aluminum     0.032"     0.063"     0.090"     Other \_\_\_\_\_  
 Steel     22 ga     20 ga     18 ga     Other \_\_\_\_\_  
 Stainless Steel     0.040"     Other \_\_\_\_\_  
 FRP     0.045"     Other \_\_\_\_\_  
 MILLENNIUM®     0.063"

## PERFORATION

- Border     Full Face     1/2" Nominal     Other \_\_\_\_\_  
 Shape     Round     Square     Slot     Designer Perforation \_\_\_\_\_  
 Size     Diameter \_\_\_\_\_ On \_\_\_\_\_ Centers     Length \_\_\_\_\_ x Width \_\_\_\_\_ On \_\_\_\_\_ Centers  
 Pattern     Straight Row     Staggered     Diagonal     Basket Weave

## FINISH

- Acrylic "Wet" Paint    Color \_\_\_\_\_     Panel Finish if different than grid \_\_\_\_\_  
 Standard Powder Coat    Color \_\_\_\_\_  
 ACROGUARD® Powder Coat    Color \_\_\_\_\_  
 REVELATION™ Wood and Stone Finishes    Color \_\_\_\_\_  
 Kynar®<sup>2</sup>    Color \_\_\_\_\_     50%     70%  
 Mechanical (Panels Only)     Brushed     #4     Other \_\_\_\_\_  
 Other \_\_\_\_\_    Color \_\_\_\_\_

## ACOUSTICAL

- Non-Woven Fabric     Black     White     Grey     Other \_\_\_\_\_  
 Fiberglass     Black PVC Wrapped    Thickness \_\_\_\_\_    Density \_\_\_\_\_ pcf     Other \_\_\_\_\_

## PENETRATION

- Lighting     Factory Cut     Field Cut     As Specified    Size \_\_\_\_\_  
 Sound     Factory Cut     Field Cut     As Specified    Size \_\_\_\_\_  
 Sprinkler     Factory Cut     Field Cut     As Specified    Size \_\_\_\_\_  
 Other \_\_\_\_\_

## ACCESSORIES

- Sprinklers     FlexHead®<sup>3</sup> Model \_\_\_\_\_ with \_\_\_\_\_' hose length  
 Column Collars     As Specified     Other \_\_\_\_\_  
 Air Slots     As Specified     Other \_\_\_\_\_  
 Perimeter Pockets     As Specified     Other \_\_\_\_\_  
 Control Joints     As Specified     Other \_\_\_\_\_

1 LEED® is a registered trademark of U.S. Green Building Council    2 Kynar® is a registered trademark of ARKEMA, Inc.  
3 FlexHead® is a registered trademark of FlexHead Industries

