

# LINEAR BAFFLES



DFW INTERNATIONAL AIRPORT,  
TERMINAL D  
DFW, TX



AUSTIN CENTRAL LIBRARY  
Austin, TX



CISCA Construction Excellence  
Award Winner

DELANO  
Las Vegas, NV

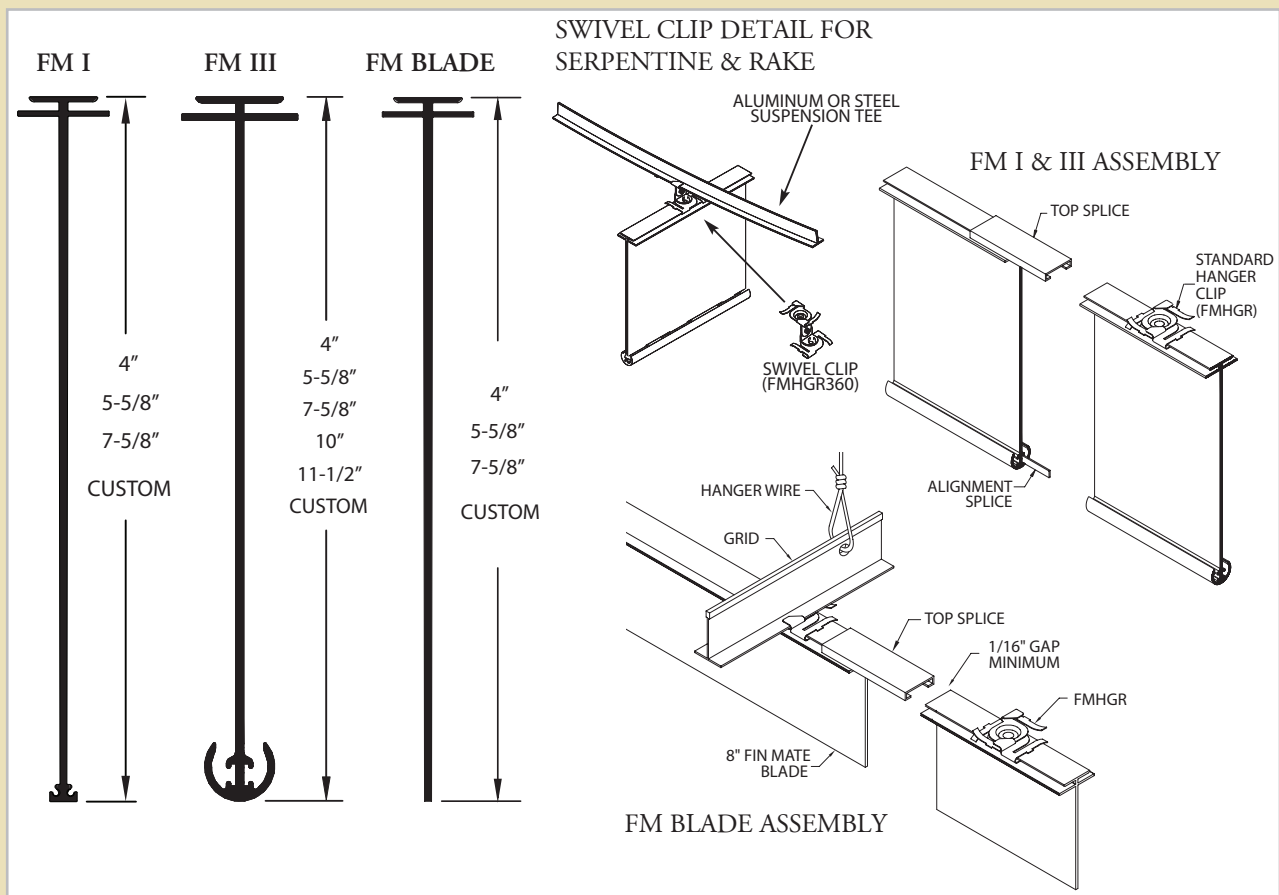
# LINEAR BAFFLES

## DESIGN

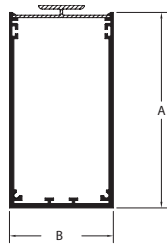
- An extruded aluminum vertical baffle ceiling system
- Creates a linear plenum mask, while leaving an open plenum for HVAC and fire protection
- Attaches to any 15/16" grid system
- Provides one-directional, partial concealment of fixtures
- Perfect for renovation construction
- Multiple ceiling configurations can be created
- Fin Mate I depths - 4", 6", & 8"
- Fin Mate III depths - 4", 6", 8", 10", & 12"
- Fin Mate Blade depths - 4", 6", & 8"
- Beam Baffles - Depths 1" - 4", Widths 1-1/16" - 3-1/8". See details and dimensions on page 3.
- AirLine™ Baffle - 6-9/16" deep x 1-7/16" wide. See back cover for details.
- Contact factory for custom depths
- Factory finished in the color of your choice



## DETAILS - FIN MATE

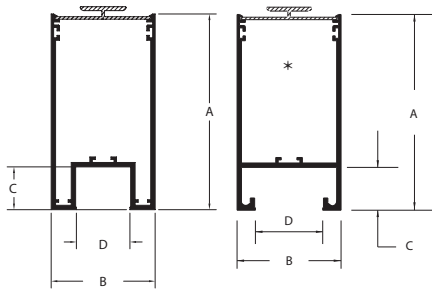
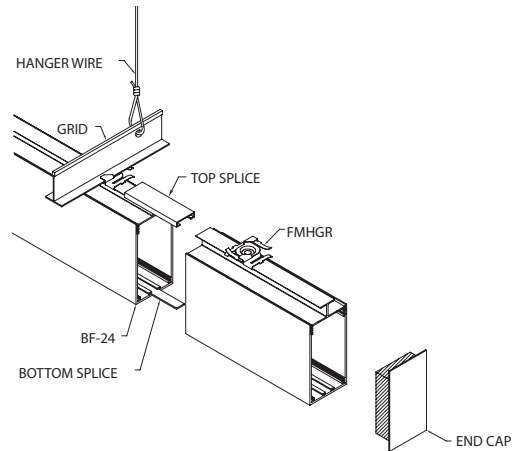


DETAILS - BEAM BAFFLE



TYPE	A	B
BF-12	2"	1-1/16"
BF-13	3-3/16"	1-1/16"
BF-21	1"	2-1/8"
BF-22	2"	2-1/8"
BF-24	4"	2-1/8"
BF-33	3"	3-1/8"

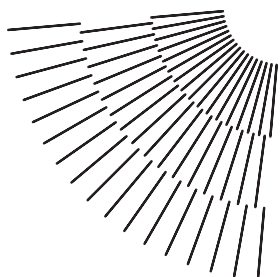
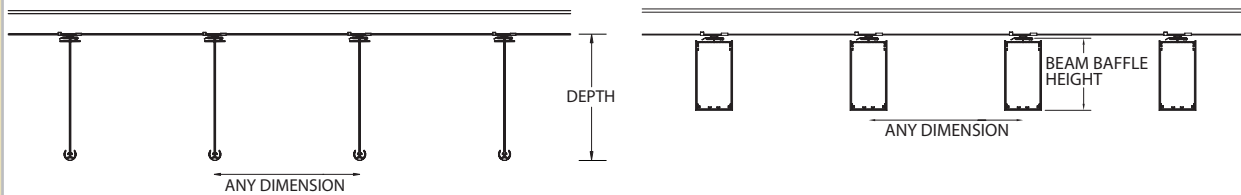
BEAM ASSEMBLY



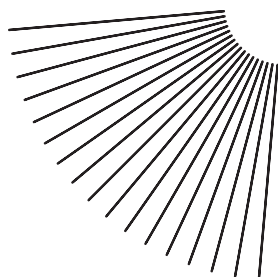
TYPE	A	B	C	D
BF-24R	4"	2-1/8"	7/8"	1-3/32"
BF-24XR*	4"	2-1/8"	7/8"	1-3/8"
BF-33R	3"	3-1/8"	7/8"	1-1/8"

CEILING CONFIGURATIONS

SUSPENSION & SPACING - FIN MATE / BEAM BAFFLE



REFLECTED CEILING  
(STAGGERED ENDS)



REFLECTED CEILING  
(ALIGNED ENDS)

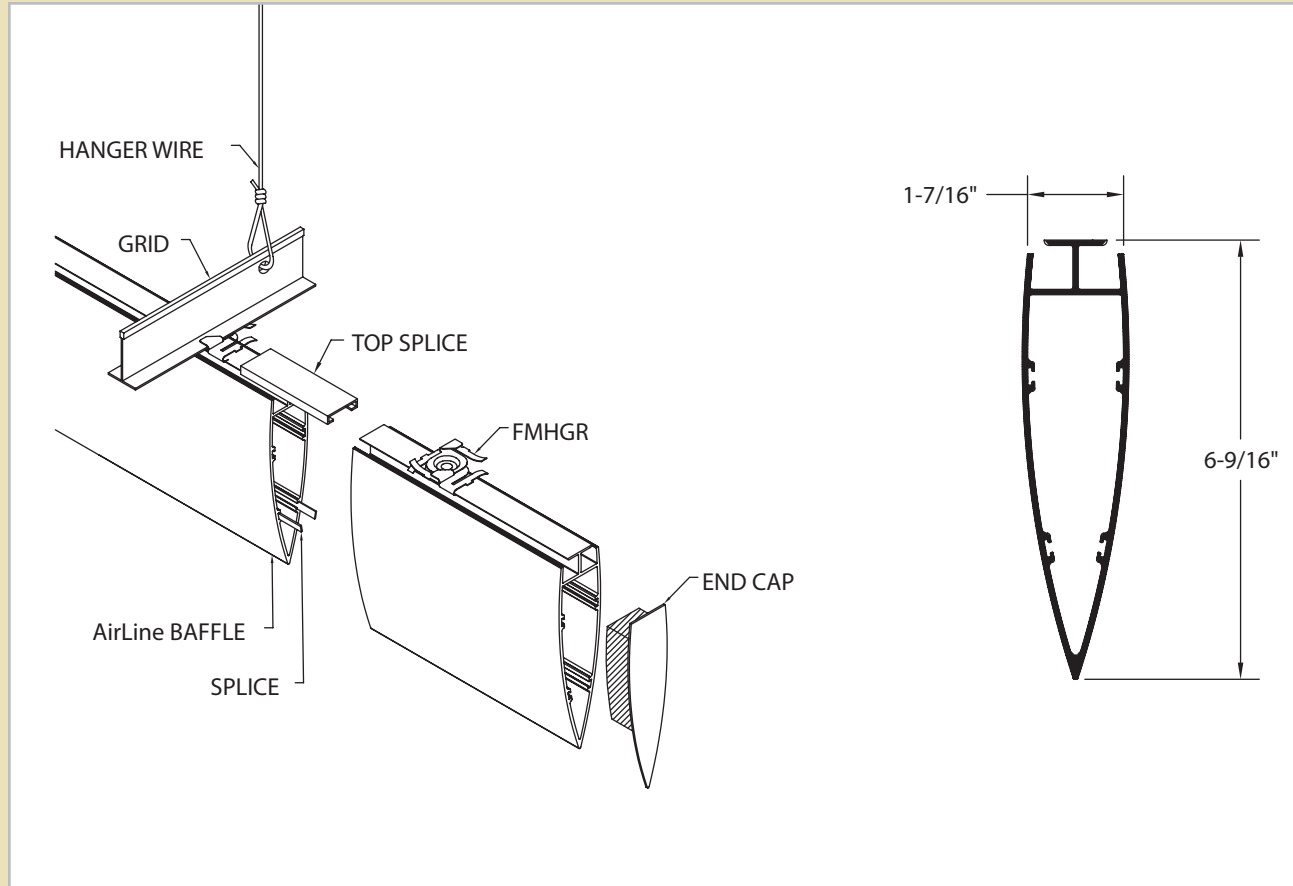


SERPENTINE SECTION



RAKE SECTION

## AIRLINE™ BAFFLE ASSEMBLY &amp; PROFILE



## FINISHES

- Acrylic Water Base “Wet” Paint
- Custom and Standard Powder Coats
- Specialty Powder Coats
  - ACROGUARD® -UVX
  - ACROGUARD®
  - ACROSTAT™ Antimicrobial
  - Metallic
- GreenWood™ Wood Grain Films
- Specialty Exterior Finishes

## GREEN BY DESIGN

- Contributes to LEED®<sup>1</sup> certification
- 38.1% recycled aluminum extrusions
  - 29.4% pre-consumer content
  - 8.7% post consumer content
- In-House Finishes
  - Biodegradable pre-treatment (No phosphates) powder coat
  - No hazardous waste
  - No VOCs
  - No heavy metals
- Reference our sustainable products brochure and website for more information. Recycled content values are subject to change. Contact us for accurate values or job specific requirements.

**GORDON**<sup>®</sup>  
INCORPORATED

5023 HAZEL JONES ROAD, BOSSIER CITY, LA 71111  
800.747.8954  
800.877.8746 FAX  
SALES@GORDON-INC.COM  
GORDON-INC.COM  
AN EMPLOYEE OWNED COMPANY

<sup>1</sup> LEED is a registered trademark of the U.S. Green Building Council.

