

ENTERTAINMENT



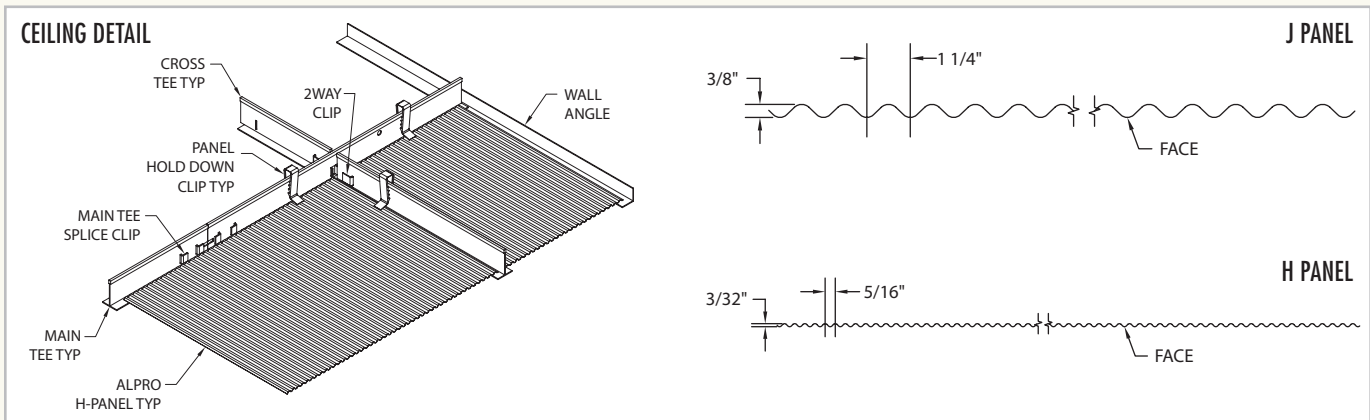
PEARL CONCERT THEATER LOBBY AREAS, PALMS RESORT CASINO



PEARL CONCERT THEATER LOBBY AREAS, PALMS RESORT CASINO



DETAILS



ALPRO® provided Lay-In Ceiling Systems featuring:

- Corrugated, Perforated Ceiling Panels
 - Patterns H and J
 - 26 Gauge Steel
- ALPRO Suspension and Ceiling Components
- Factory Powder Coat Primer Finish
- Noise Reduction - Lay-In Encapsulated Acoustical Pads
- Green by Design

2007 CISCA Construction
Excellence Award Winner
Acoustical Solutions - West Region

Southwest Contractor's
Nevada Best of 2007 Awards

PROJECT

Pearl Concert Theater Lobby Areas,
Palms Resort Casino
Las Vegas, NV

ARCHITECT

KGA Architecture
Las Vegas, NV

GORDON REPRESENTATIVE

Commercial Architectural Products
Phoenix, AZ

CONTRACTOR

M.J. Dean Construction, Inc.
Las Vegas, NV

ALPRO®

ACOUSTICAL SYSTEMS
5023 HAZEL JONES ROAD
BOSSIER CITY, LA 71111

888.733.3836

800.877.8746 FAX

SALES@ALPROACOUSTICS.COM

ALPROACOUSTICS.COM

