

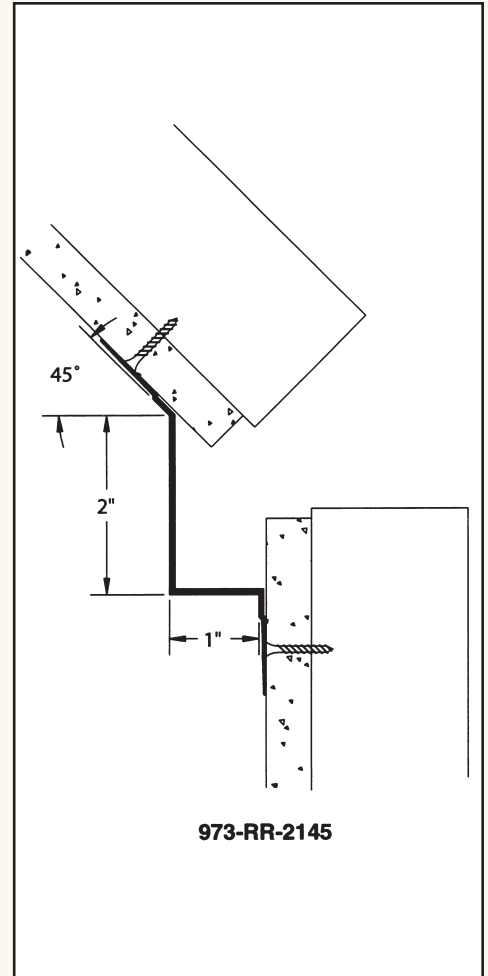
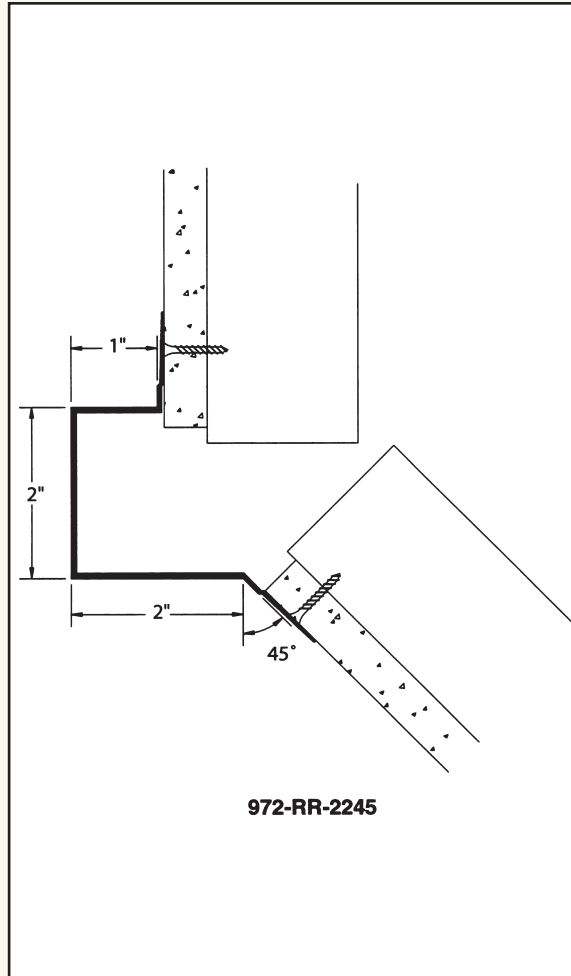
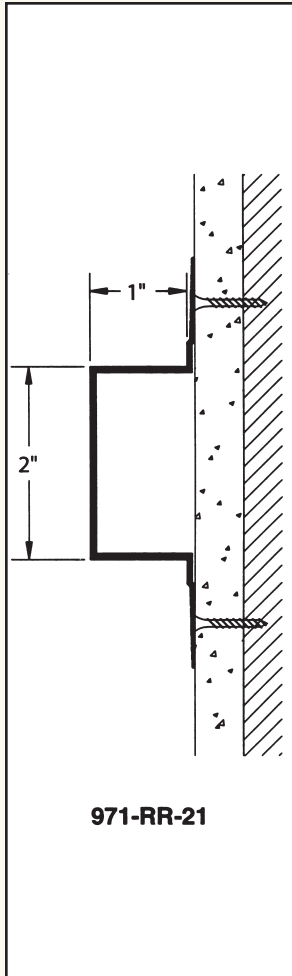
FINAL FORMS I

UNIQUE TRIMS AND SHAPES IN PREFINISHED ALUMINUM

GORDON
INCORPORATED

BUY ONLINE ▶

SERIES 970 SPECIAL SHAPES



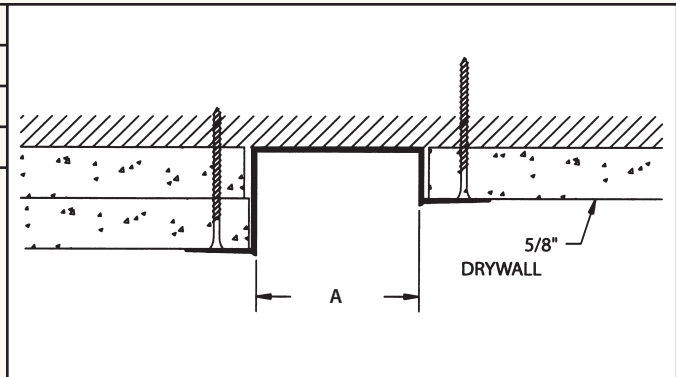
FINAL FORMS I

SERIES 970



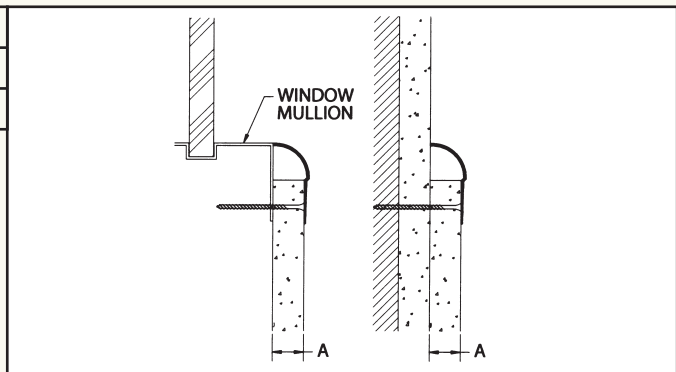
PART NUMBER	A
974-510-125	1"
974-515-125	1-1/2"
974-520-125	2"

TRANSITIONAL REVEAL TRIM used to transition from two layers of 5/8" GPDW to one. Use horizontally or vertically.



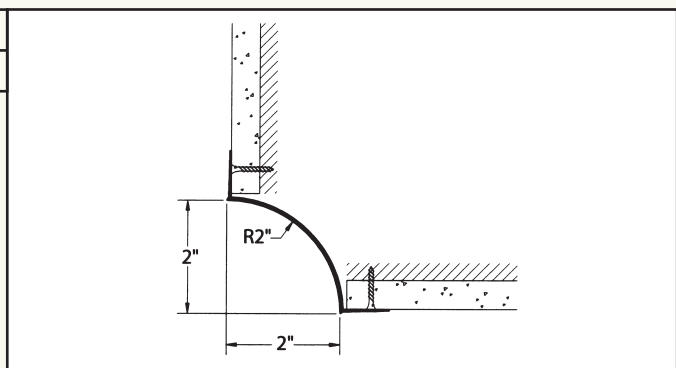
PART NUMBER	A
975-90-12	1/2" GPDW
975-90-58	5/8" GPDW

QUARTER ROUND EDGE TRIM used for quarter round transition from drywall to drywall, wood, doors or windows. Prefabricated corners are available.



PART NUMBER
976-IC-20

2" QUARTER RADIUS CORNER TRIM used vertically for corner detail or horizontally for molding transition.



PART NUMBER
977-ET-150

45° WAINSCOT CAP used for trim on top/bottom of wall wainscot detail.

