

FINAL FORMS I

UNIQUE TRIMS AND SHAPES IN PREFINISHED ALUMINUM

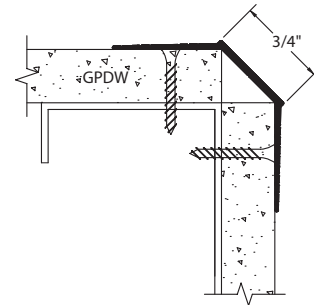
GORDON
INCORPORATED

BUY ONLINE ▶

SERIES 920 SPECIAL SHAPES

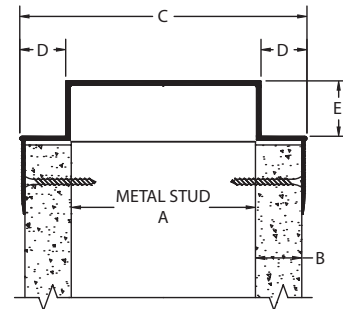
PART NUMBER
921-SC-34

BEVELED CORNER TRIM, utilized for edge strength, can be used with any size GPDW. Use as chamfered high-strength corner bead. Also see 923-ET-12.

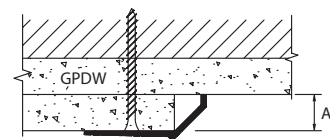


PART NUMBER	A	B	C	D	E
922-TT-375/50	2-1/2"	5/8"	3-7/8"	1/2"	1/2"
922-TT-375/75	2-1/2"	5/8"	3-7/8"	5/8"	3/4"
922-TT-375/150	2-1/2"	5/8"	3-15/16"	1/2"	1-1/2"
922-TT-487/75	3-5/8"	5/8"	5"	1/2"	3/4"
922-TT-525/75	4"	5/8"	5-3/8"	5/8"	3/4"
922-TT-625/150	4-7/8"	5/8"	6-1/4"	5/8"	1-1/2"
922-TT-725/75	6"	5/8"	7-1/2"	5/8"	3/4"

REVEAL TOP TRACK with tapping fin for top cap or wall terminations.



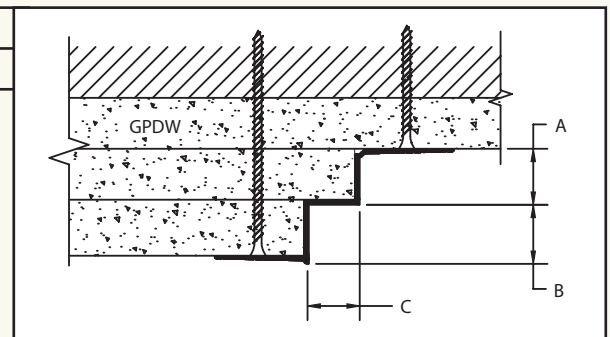
PART NUMBER	A
923-ET-12	1/2"
923-ET-10	1"
923-ET-150	1-1/2"



BEVELED EDGE TRIM for use with multiple GPDW applications. Used to transition varying wall thicknesses, or to recess or project sections of a wall. Also see 921-SC-34.

PART NUMBER	A	B	C
924-ST-10	1/2"	1/2"	1/2"

STEP TRIM for use with multiple layered GPDW applications. Used to transition varying wall thicknesses.



FINAL FORMS I

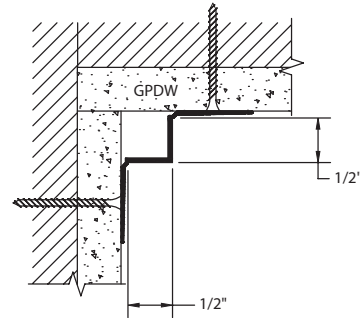
SERIES 920



PART NUMBER

925-IC-12

INSIDE CORNER TRIM used to accent inside corner conditions.

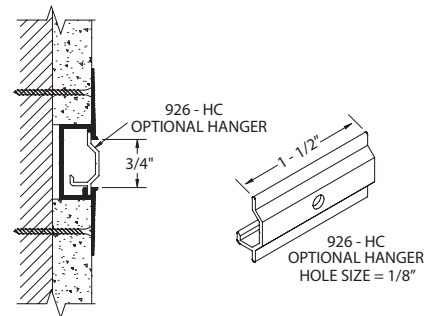


PART NUMBER

926-HT-12

926-HC

MID WALL HANGING TRACK used for wall hanging. See also 907 and 961.



PART NUMBER

927-FR-12

FF-Welt

FABRIC TUCK REVEAL used with welt insert for fabric wall trim. Welt can be fabric wrapped. See also 966.

