

FINAL FORMS I

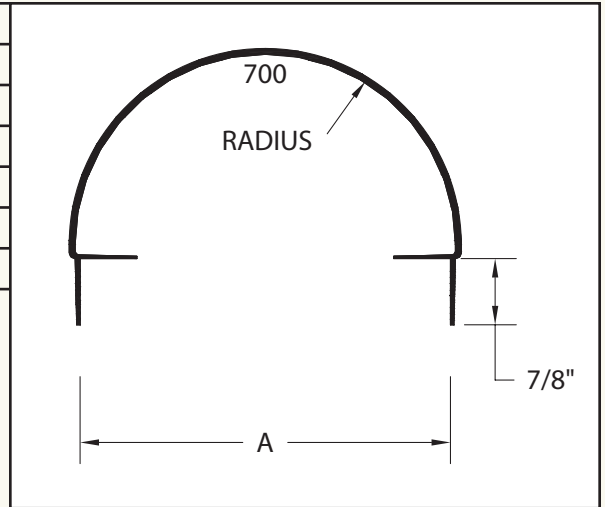
UNIQUE TRIMS AND SHAPES IN PREFINISHED ALUMINUM

GORDON
INCORPORATED

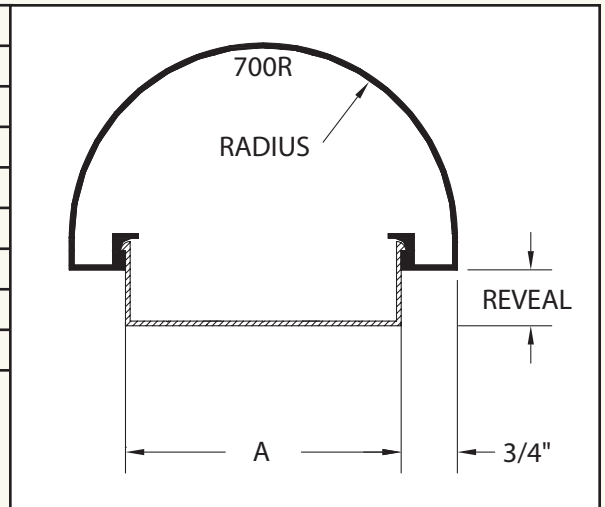
BUY ONLINE ▶

SERIES 700 BULLNOSE

| PART NUMBER | A | STUD | RADIUS |
|-------------|--------|--------|---------|
| 721-2 | 3-1/2" | 2-1/2" | 2-1/16" |
| 735-2 | 4-5/8" | 3-5/8" | 2-5/8" |
| 760-2 | 7" | 6" | 3-3/4" |
| 721-8 | 3-3/4" | 2-1/2" | 2-1/16" |
| 735-8 | 4-7/8" | 3-5/8" | 2-5/8" |
| 760-8 | 7-1/4" | 6" | 3-3/4" |



| PART NUMBER | A | STUD | RADIUS | REVEAL |
|-------------|--------|--------|--------|--------|
| 734-00R | 1-1/2" | 1-1/2" | 3/4" | FLUSH |
| 710-00R | 1-5/8" | 1-5/8" | 1" | FLUSH |
| 721-25R | 3-3/4" | 2-1/2" | 2" | 1/4" |
| 735-00R | 4-7/8" | 3-5/8" | 2-5/8" | FLUSH |
| 735-25R | 4-7/8" | 3-5/8" | 2-5/8" | 1/4" |
| 735-75R | 4-7/8" | 3-5/8" | 2-5/8" | 3/4" |
| 760-25R | 6" | 5" | 3-1/8" | 1/4" |
| 780-25R | 8" | 6" | 4" | 1/4" |

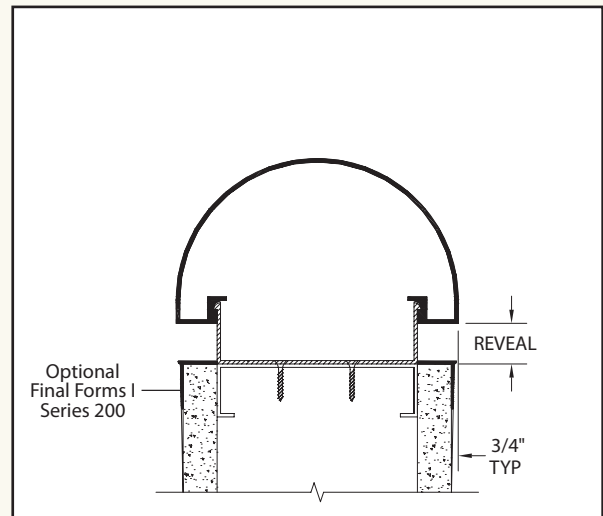
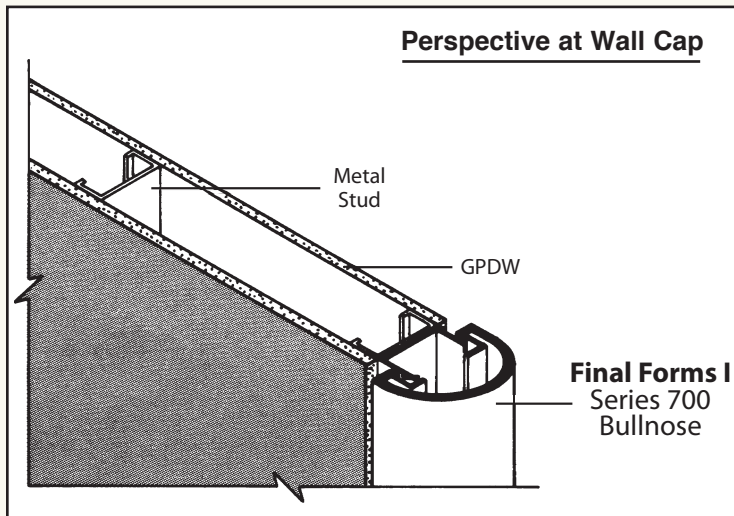


FINAL FORMS I

SERIES 700



For use with metal stud walls and GPDW to form end caps.



Cross Sections of Series 700R at Stud Wall

