

PERIMETER POCKETS

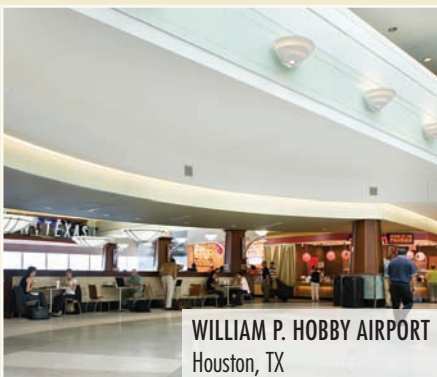
GORDON
INTERIOR SPECIALTIES DIVISION

APPLICATIONS

- Ceiling transition to perimeter wall
- Conceals blinds, curtains, draperies, and screens
- Air return or supply
- Perimeter lighting

DESIGN ELEMENTS

- Available in extruded aluminum and brake form aluminum or steel
- Integrates with suspended drywall or acoustical ceiling systems
- Provides structural support for shade pockets and include removable closures for access
- Can integrate lighting and provide an economical solution to traditional, high-cost light fixtures
- Available vented for HVAC
- Hanging & splicing
 - Hangers, splices, end closures, and corners are designed for exact alignment and simple installation
- Pre-Finished
 - Standard finishes that match all major grid manufacturers
 - Custom finishes
- Costs less than drywall construction
 - Avoids the high labor cost of furring, taping, filling and painting. All pockets can be pre-cut to size, pre-finished and completely fabricated ready to install
 - Smaller openings are perfect for our smaller, extruded profiles - avoids difficult painting in the field

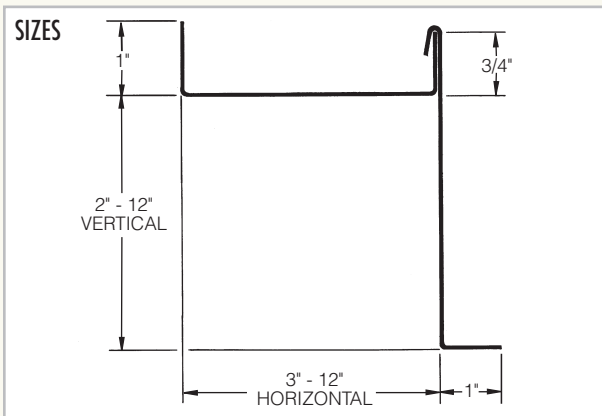


WILLIAM P. HOBBY AIRPORT
Houston, TX

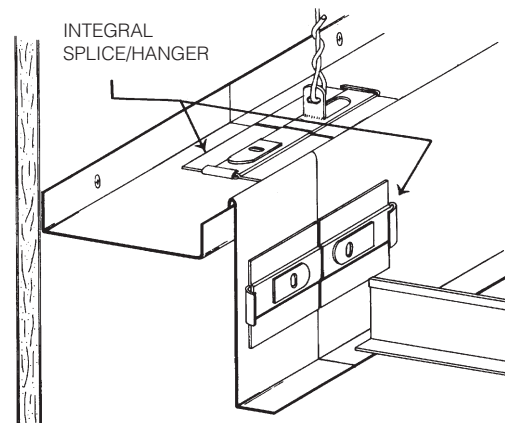


JACKSON-EVERS INTERNATIONAL AIRPORT
Jackson, MS

BRAKE FORM POCKET - *Aluminum or Steel*

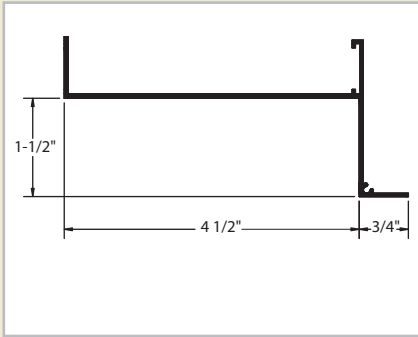


HANGER/SPLICE

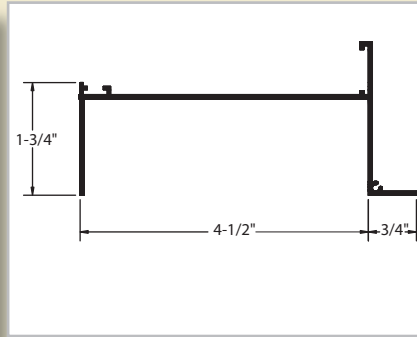


PERIMETER POCKETS

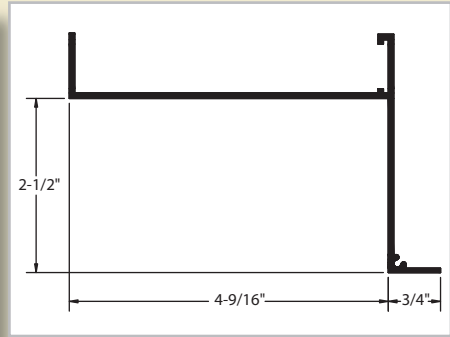
CPA-4515



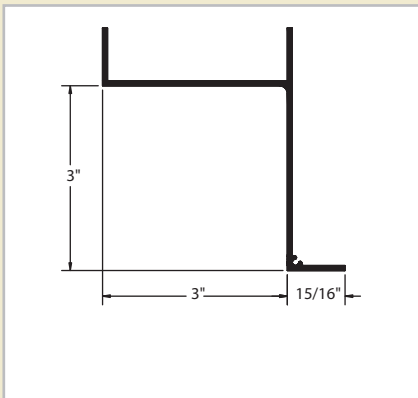
CPA-4515R



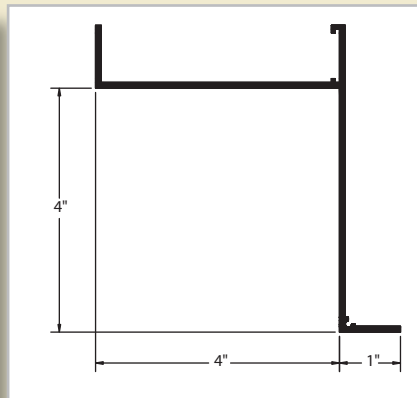
CPA-4525



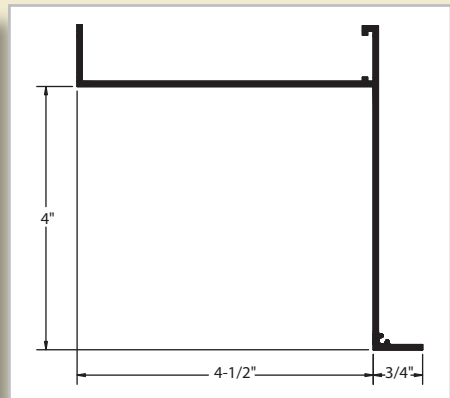
CPA-3030



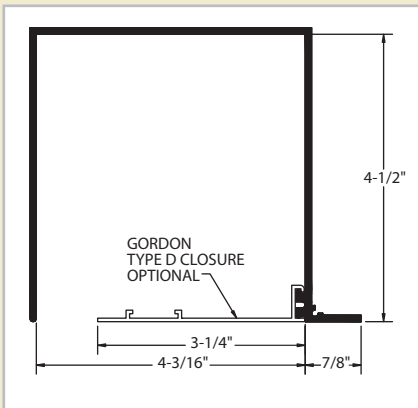
CPA-4040



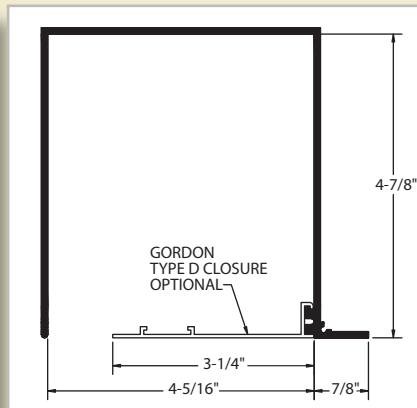
CPA-4540



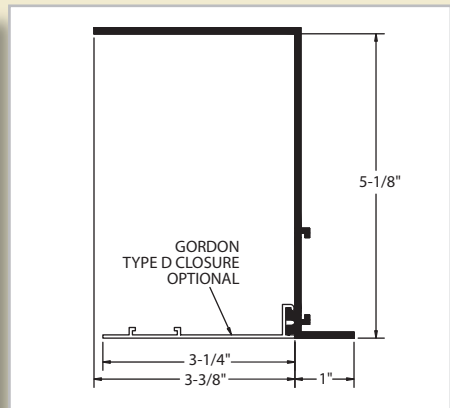
CPA-4045



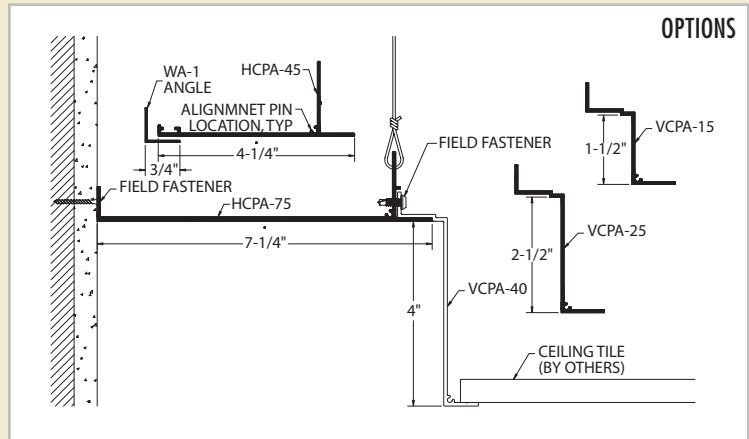
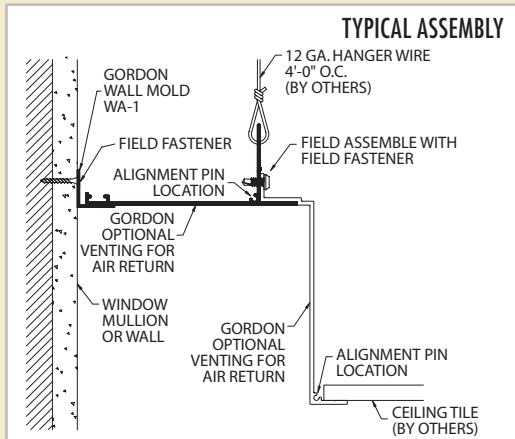
CPA-4550R



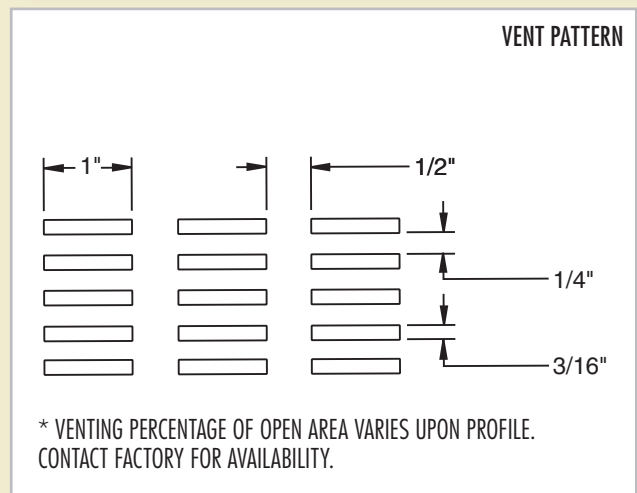
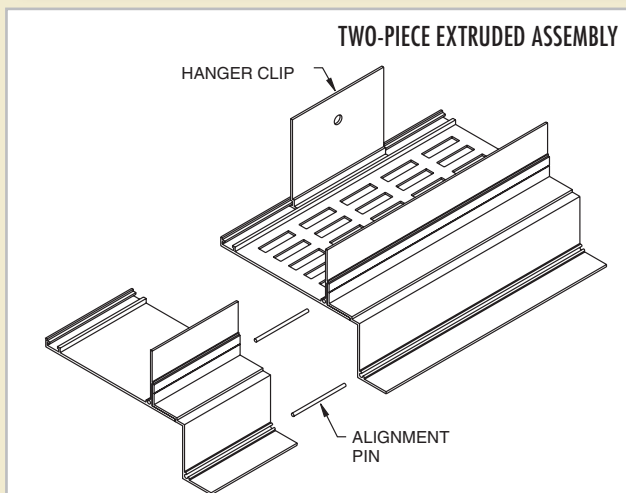
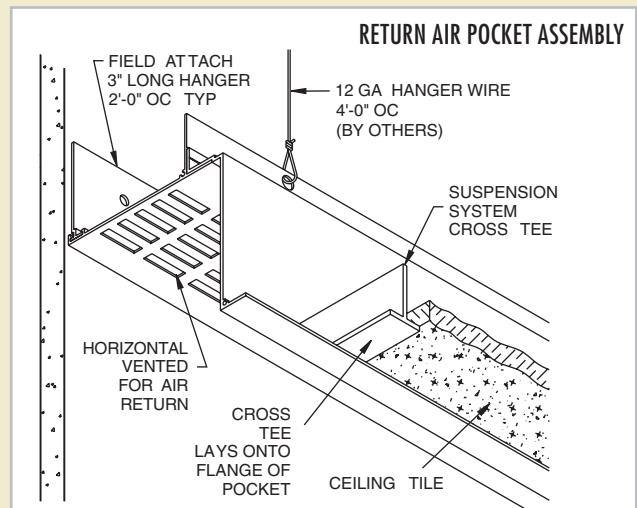
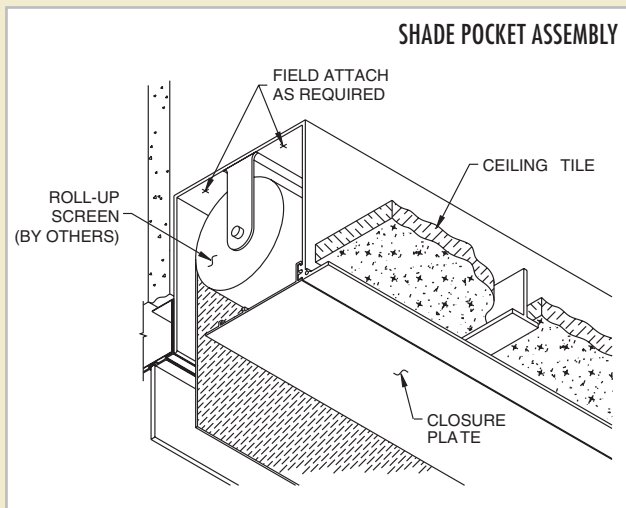
CPA-3050



TWO-PIECE EXTRUDED POCKET

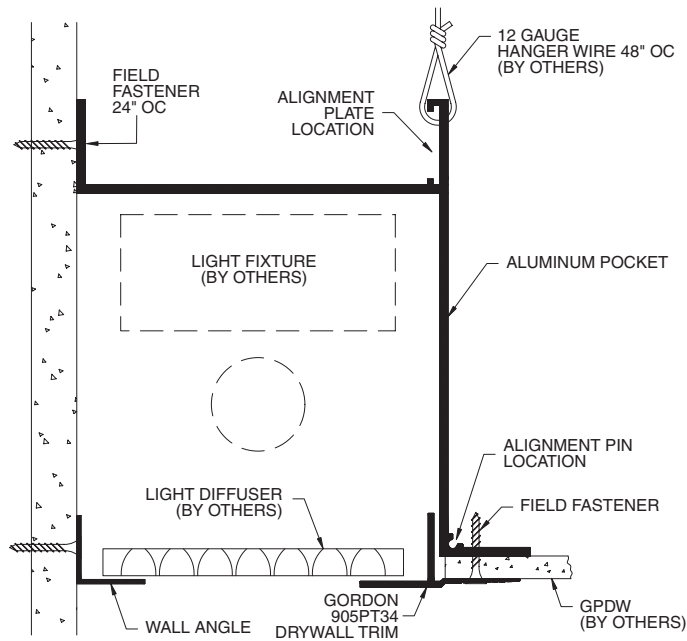


DETAILS

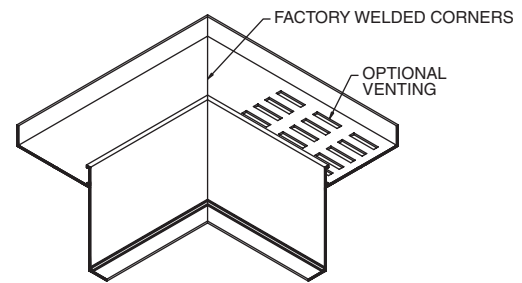


DETAILS

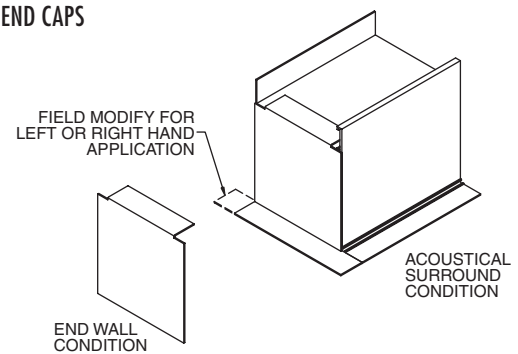
DRYWALL/LIGHT ASSEMBLY



WELDED CORNERS



END CAPS



WE WELCOME CUSTOM PROFILES. CONTACT GORDON FOR MORE INFORMATION.

FINISHES

- Acrylic "Wet" Paint
- Powder Coat
- ACROGUARD® High Performance Powder Coat
- REVELATION™ Wood and Stone Finishes
- Kynar®¹
- Custom

¹ Kynar® is a registered trademark of ARKEMA, Inc.

² LEED® is a registered trademark of the U.S. Green Building Council.

GREEN BY DESIGN

- LEED®² credits available
- 66% recycled aluminum for extruded pockets
 - 33% post consumer content
 - 33% post industrial content
- 50% recycled aluminum for brake form pockets
- Finishes
 - No phosphate / biodegradable pre-treatment
 - No hazardous waste
 - No VOC's
 - No heavy metals

GORDON
INTERIOR SPECIALTIES DIVISION

5023 HAZEL JONES ROAD, BOSSIER CITY, LA 71111

800.747.8954

800.877.8746 FAX

SALES@GORDONCEILINGS.COM

GORDONCEILINGS.COM

