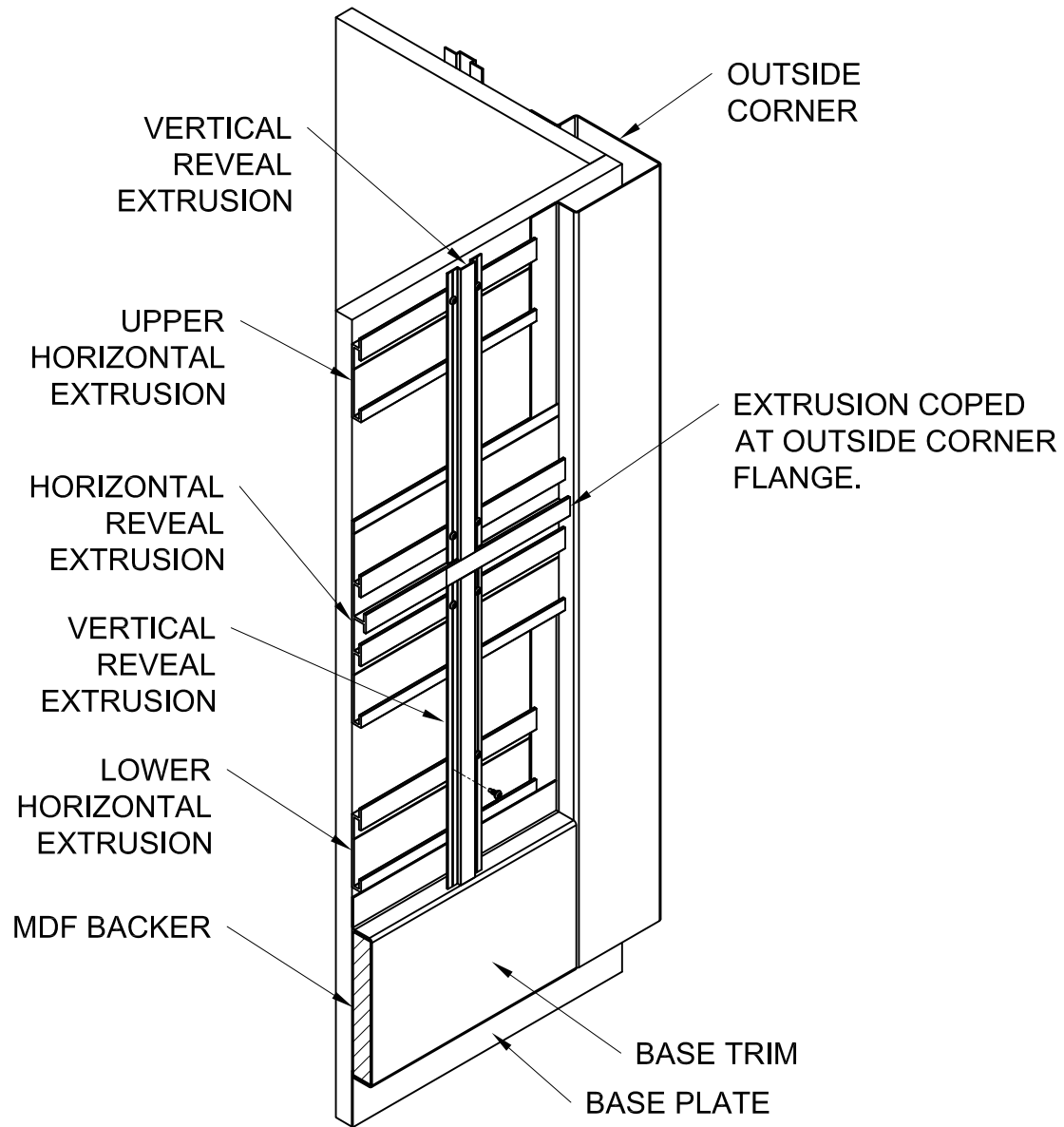


GORDON
 ARCHITECTURAL+ENGINEERED SOLUTIONS

© 5023 Hazel Jones Rd.
 Bossier City, LA 71111
 800.747.8954
 GORDON-INC.COM
 sales@gordon-inc.com

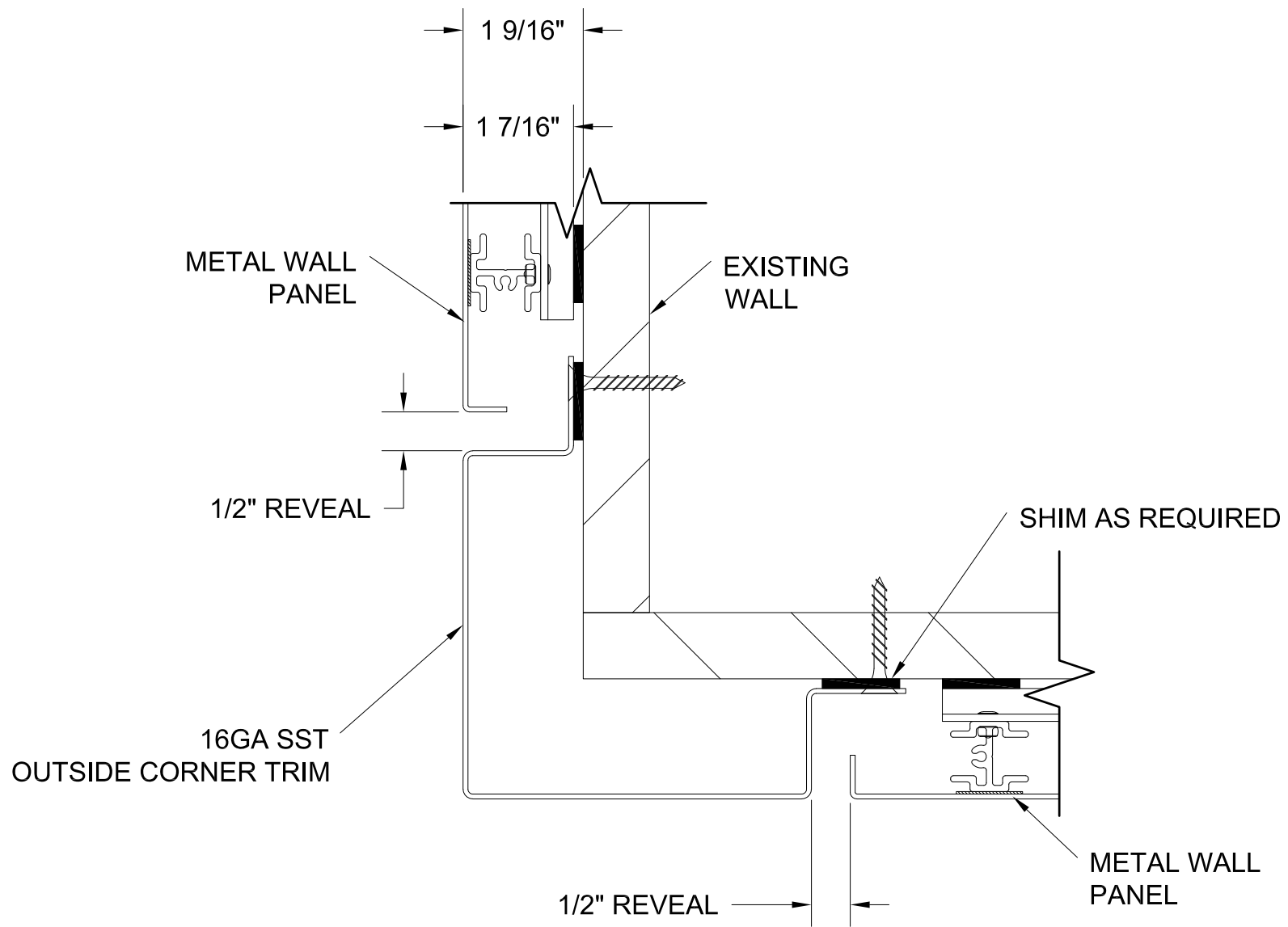
WALLS / CLADDINGS
 WP MR - 1000 SERIES
 ISOEMTRIC ASSEMBLY

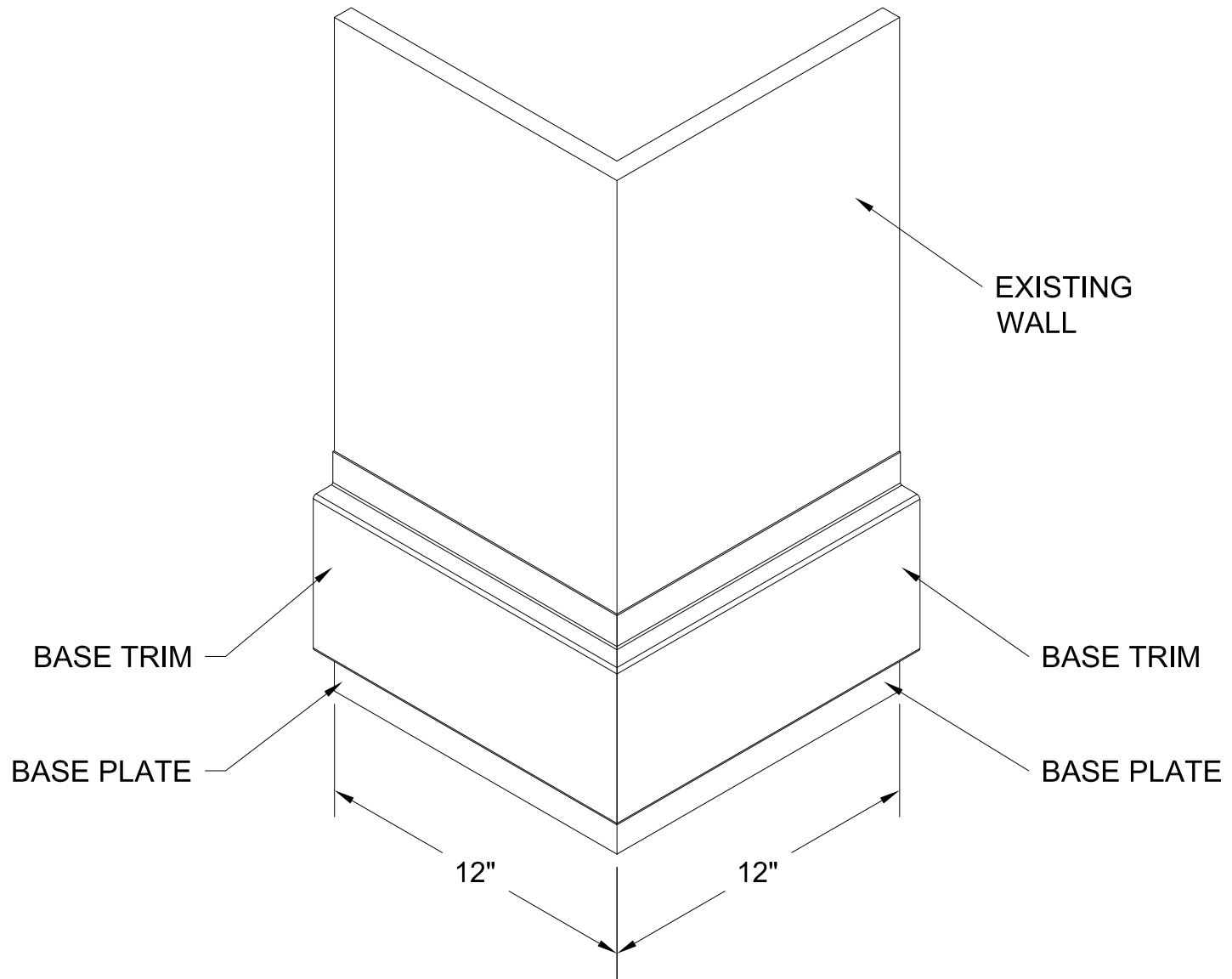


GORDON
ARCHITECTURAL+ENGINEERED SOLUTIONS

© 5023 Hazel Jones Rd.
Bossier City, LA 71111
800.747.8954
GORDON-INC.COM
sales@gordon-inc.com

WALLS / CLADDINGS
WP MR - 1000 SERIES
ISOMETRIC ASSEMBLY WITHOUT PANELS

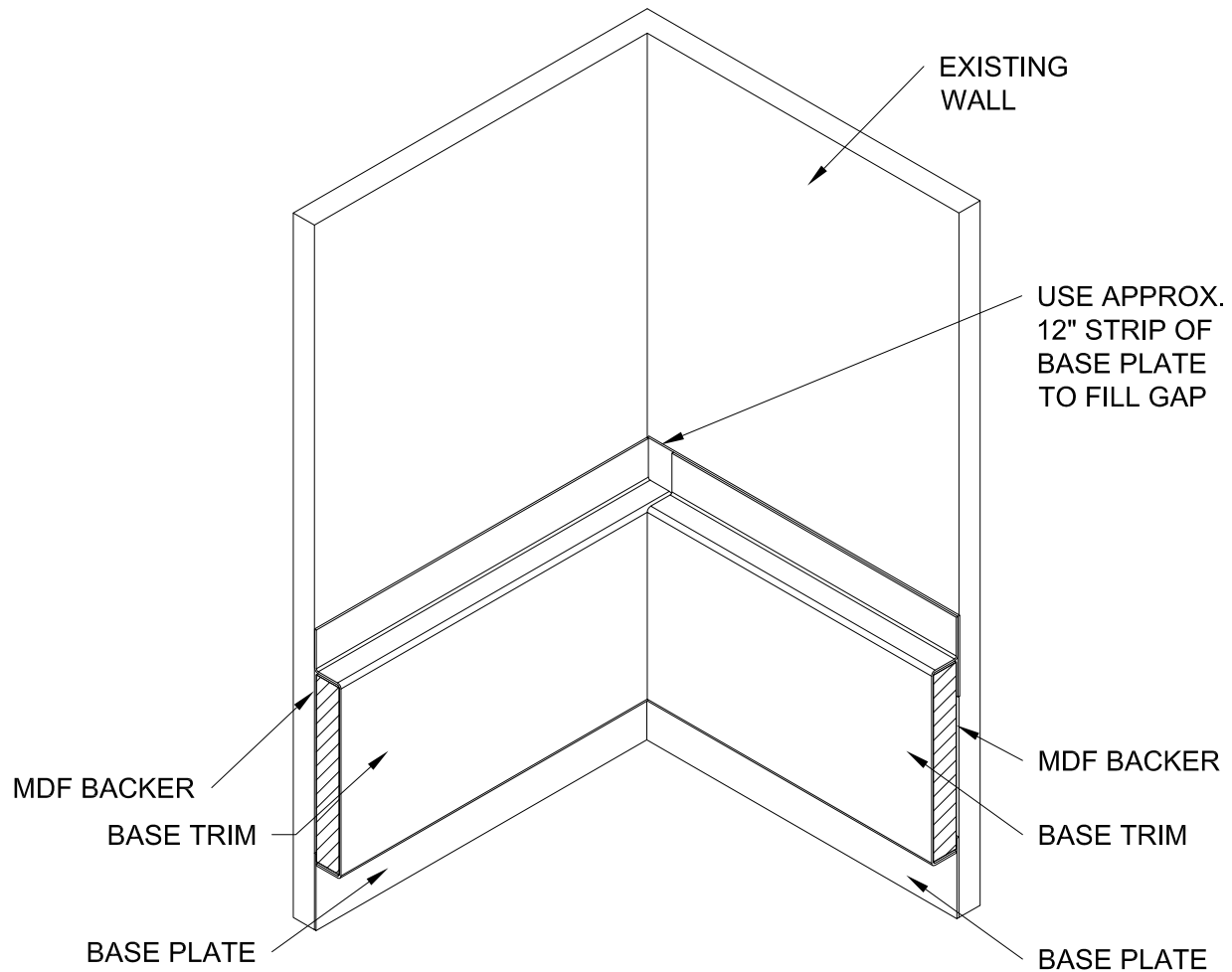




GORDON®
ARCHITECTURAL+ENGINEERED SOLUTIONS

5023 Hazel Jones Rd.
Bossier City, LA 71111
800.747.8954
GORDON-INC.COM
sales@gordon-inc.com

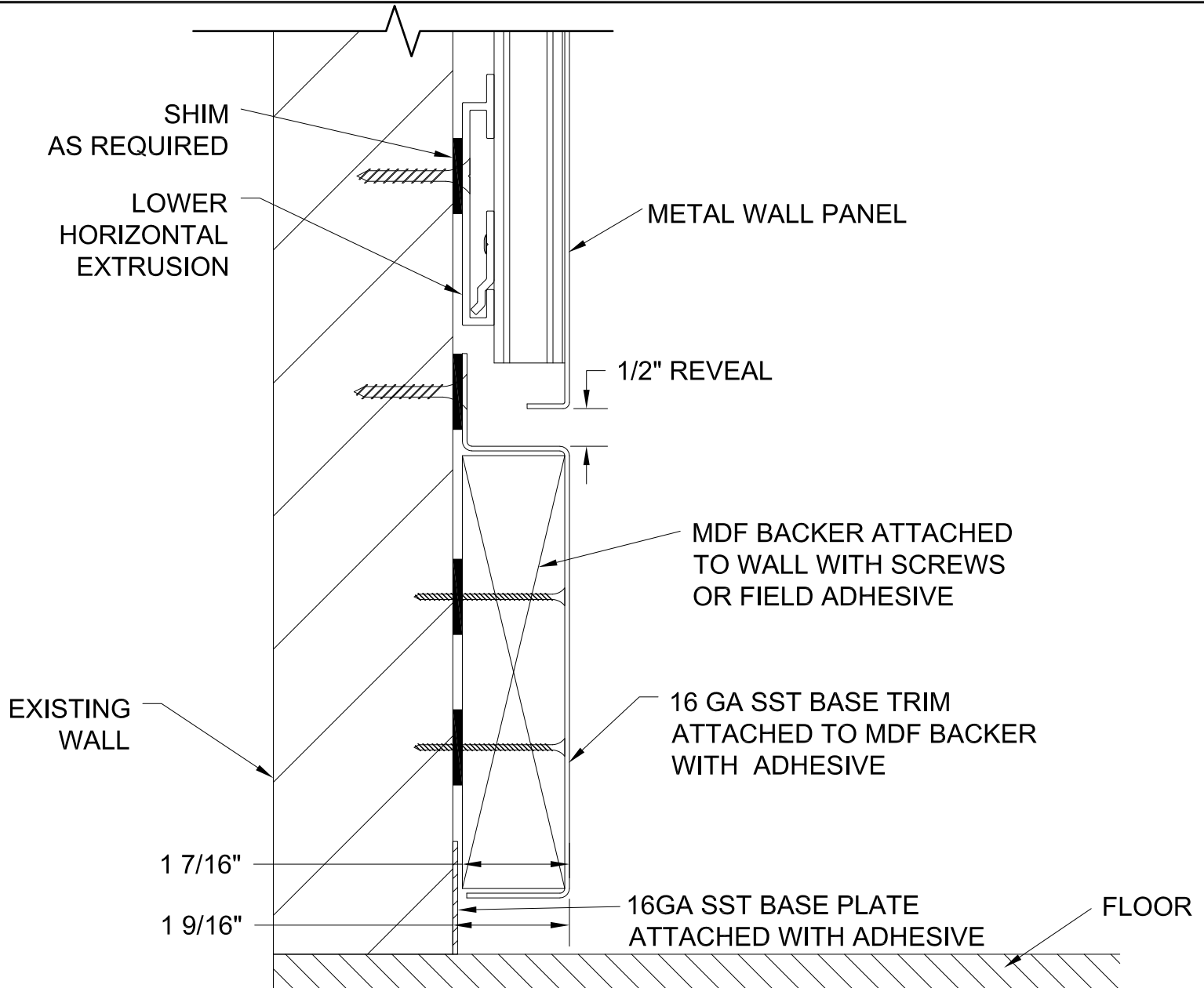
WALLS / CLADDINGS
WP MR - 1000 SERIES
BASE OUTSIDE CORNER ISO



GORDON[®]
ARCHITECTURAL+ENGINEERED SOLUTIONS

5023 Hazel Jones Rd.
Bossier City, LA 71111
800.747.8954
GORDON-INC.COM
sales@gordon-inc.com

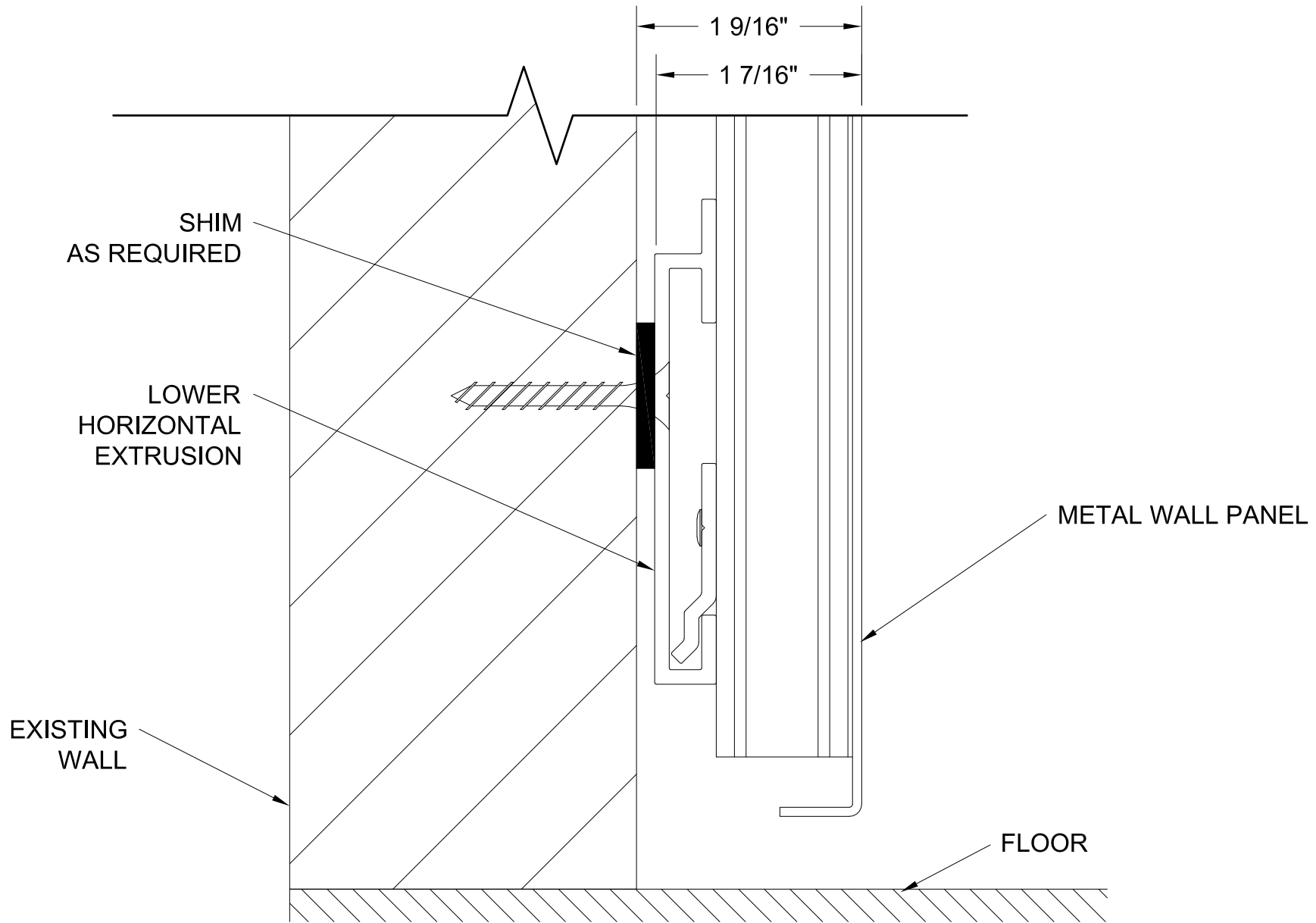
WALLS / CLADDINGS
WP MR - 1000 SERIES
BASE INSIDE CORNER ISO



GORDON
ARCHITECTURAL+ENGINEERED SOLUTIONS

© 5023 Hazel Jones Rd.
Bossier City, LA 71111
800.747.8954
GORDON-INC.COM
sales@gordon-inc.com

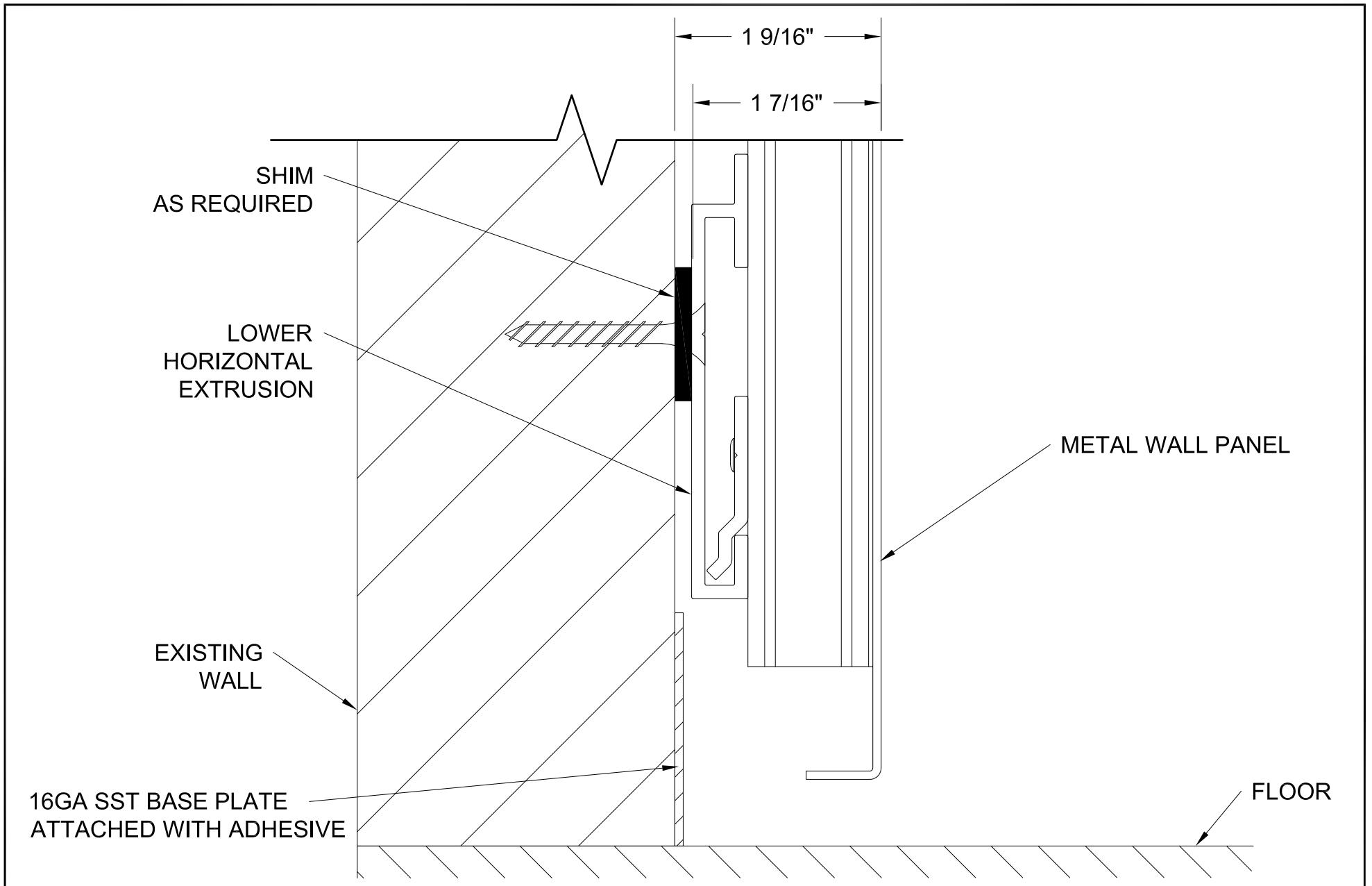
WALLS / CLADDINGS
WP MR - 1000 SERIES
TYPICAL BASE SECTION



GORDON
ARCHITECTURAL+ENGINEERED SOLUTIONS

5023 Hazel Jones Rd.
Bossier City, LA 71111
800.747.8954
GORDON-INC.COM
sales@gordon-inc.com

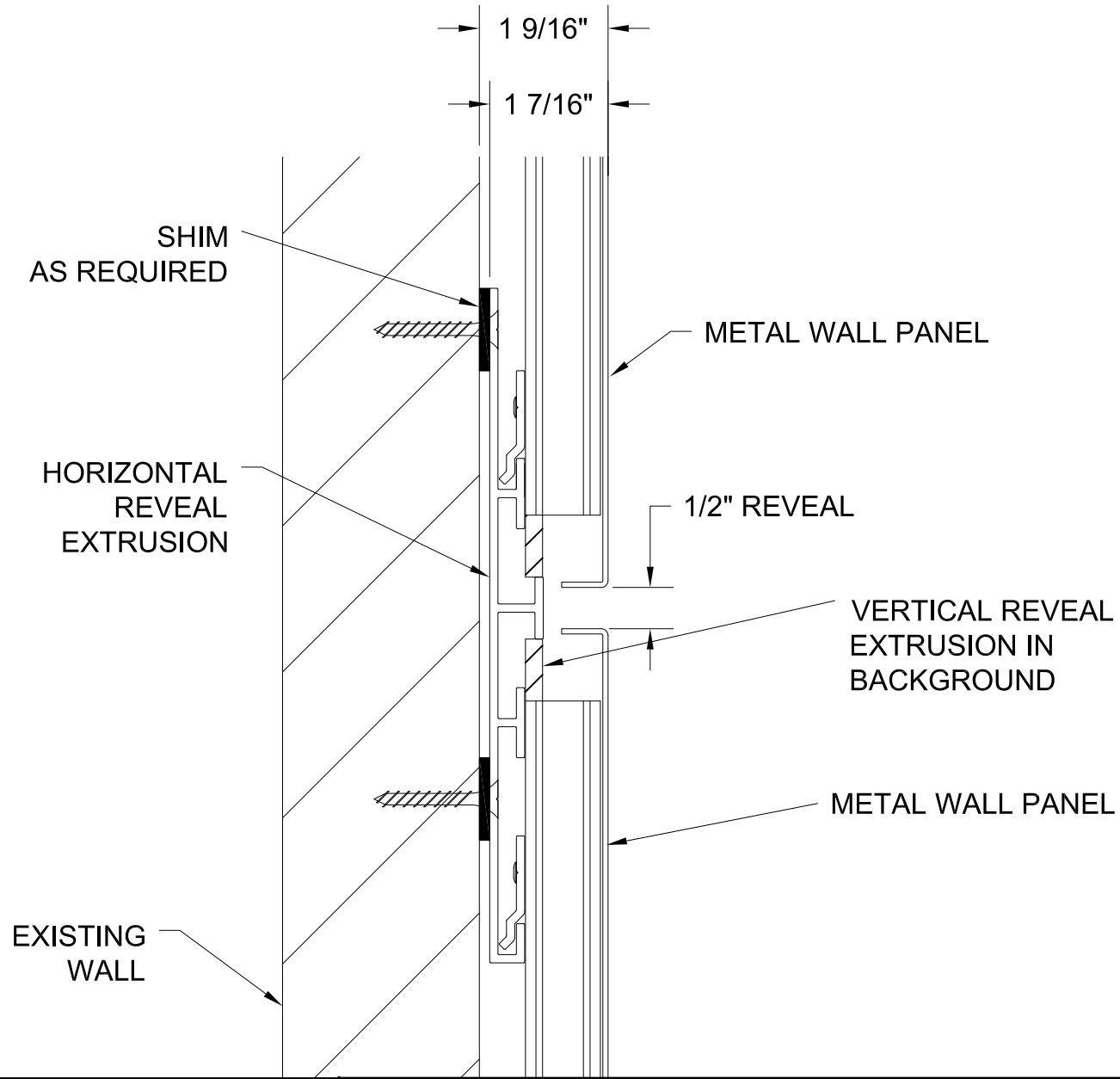
WALLS / CLADDINGS
WP MR - 1000 SERIES
BASE SECTION



GORDON®
ARCHITECTURAL+ENGINEERED SOLUTIONS

5023 Hazel Jones Rd.
Bossier City, LA 71111
800.747.8954
GORDON-INC.COM
sales@gordon-inc.com

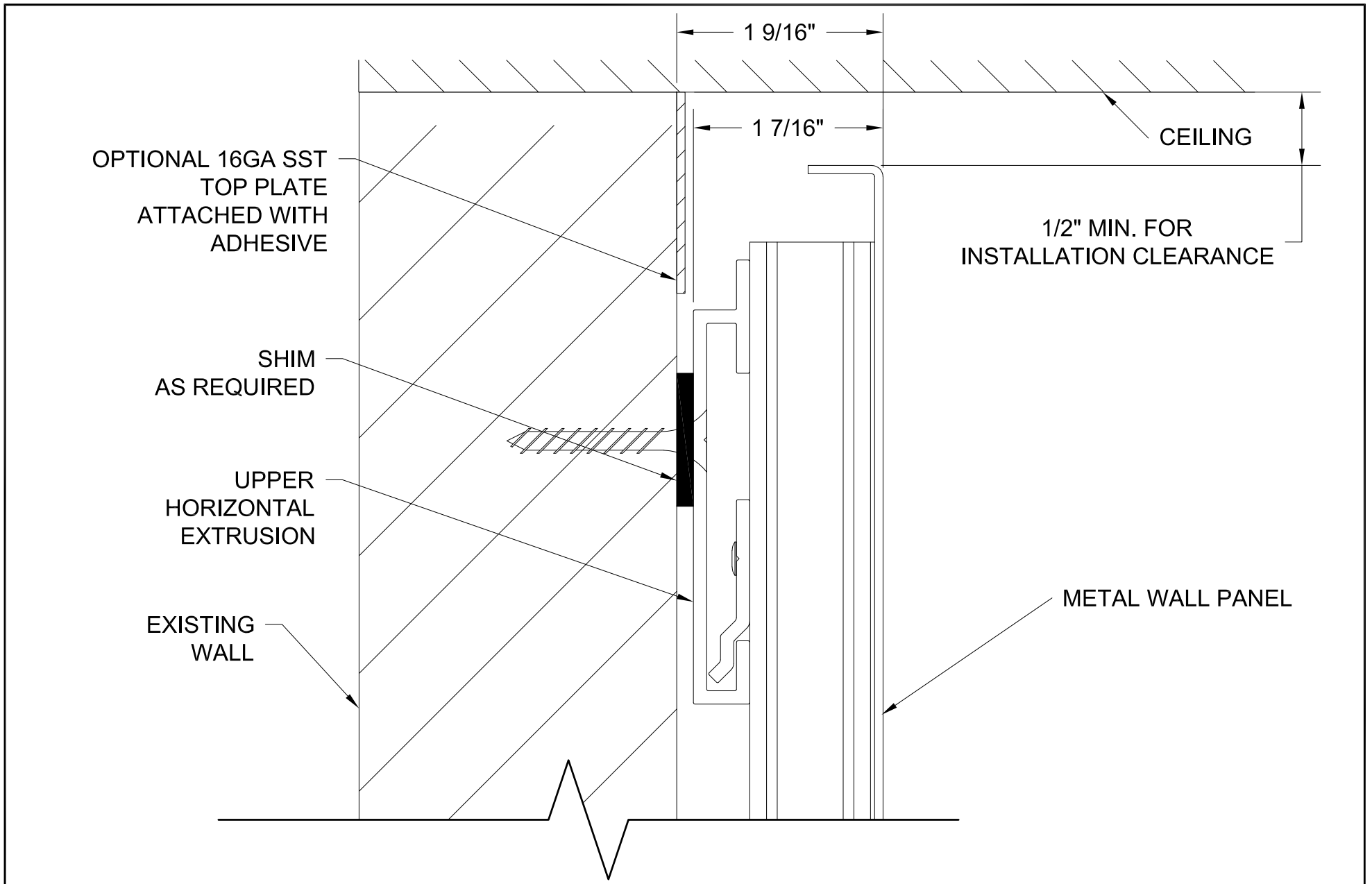
WALLS / CLADDINGS
WP MR - 1000 SERIES
BASE PLATE



GORDON
 ARCHITECTURAL+ENGINEERED SOLUTIONS

© 5023 Hazel Jones Rd.
 Bossier City, LA 71111
 800.747.8954
 GORDON-INC.COM
 sales@gordon-inc.com

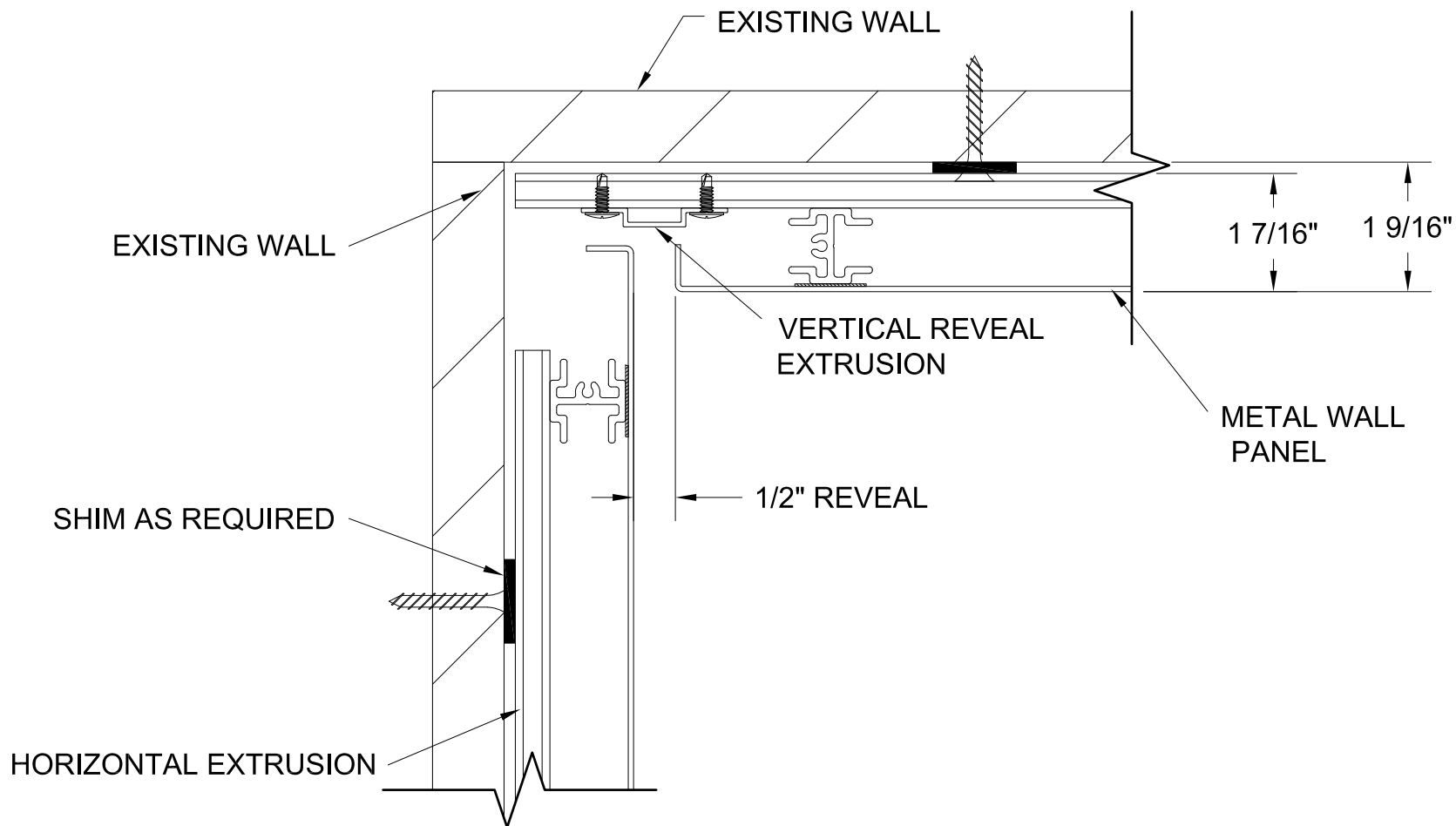
WALLS / CLADDINGS
 WP MR - 1000 SERIES
 HORIZONTAL REVEAL



GORDON
 ARCHITECTURAL+ENGINEERED SOLUTIONS

© 5023 Hazel Jones Rd.
 Bossier City, LA 71111
 800.747.8954
 GORDON-INC.COM
 sales@gordon-inc.com

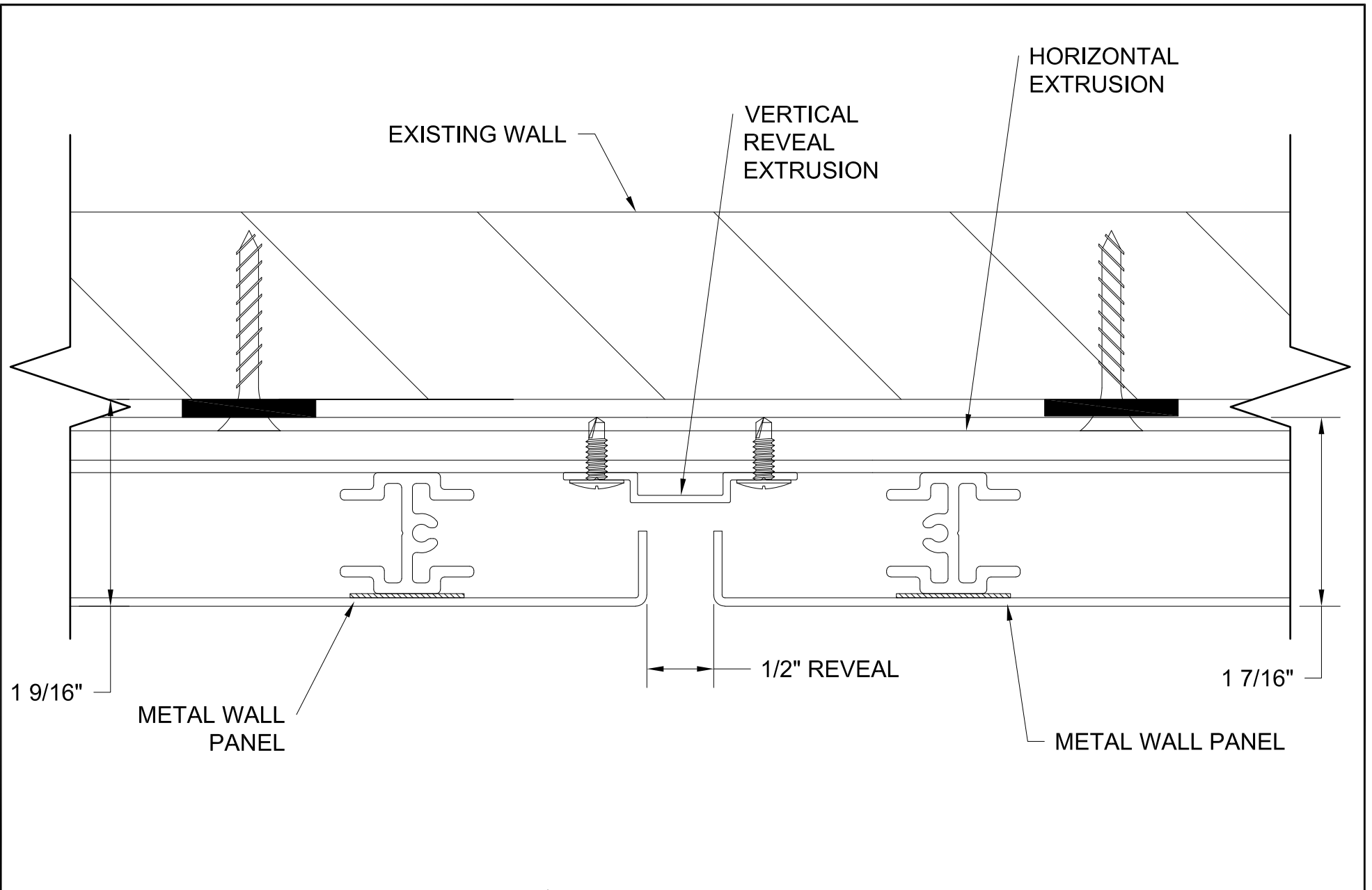
WALLS / CLADDINGS
 WP MR - 1000 SERIES
 WALL SECTION AT HEAD



GORDON
ARCHITECTURAL+ENGINEERED SOLUTIONS

© 5023 Hazel Jones Rd.
Bossier City, LA 71111
800.747.8954
GORDON-INC.COM
sales@gordon-inc.com

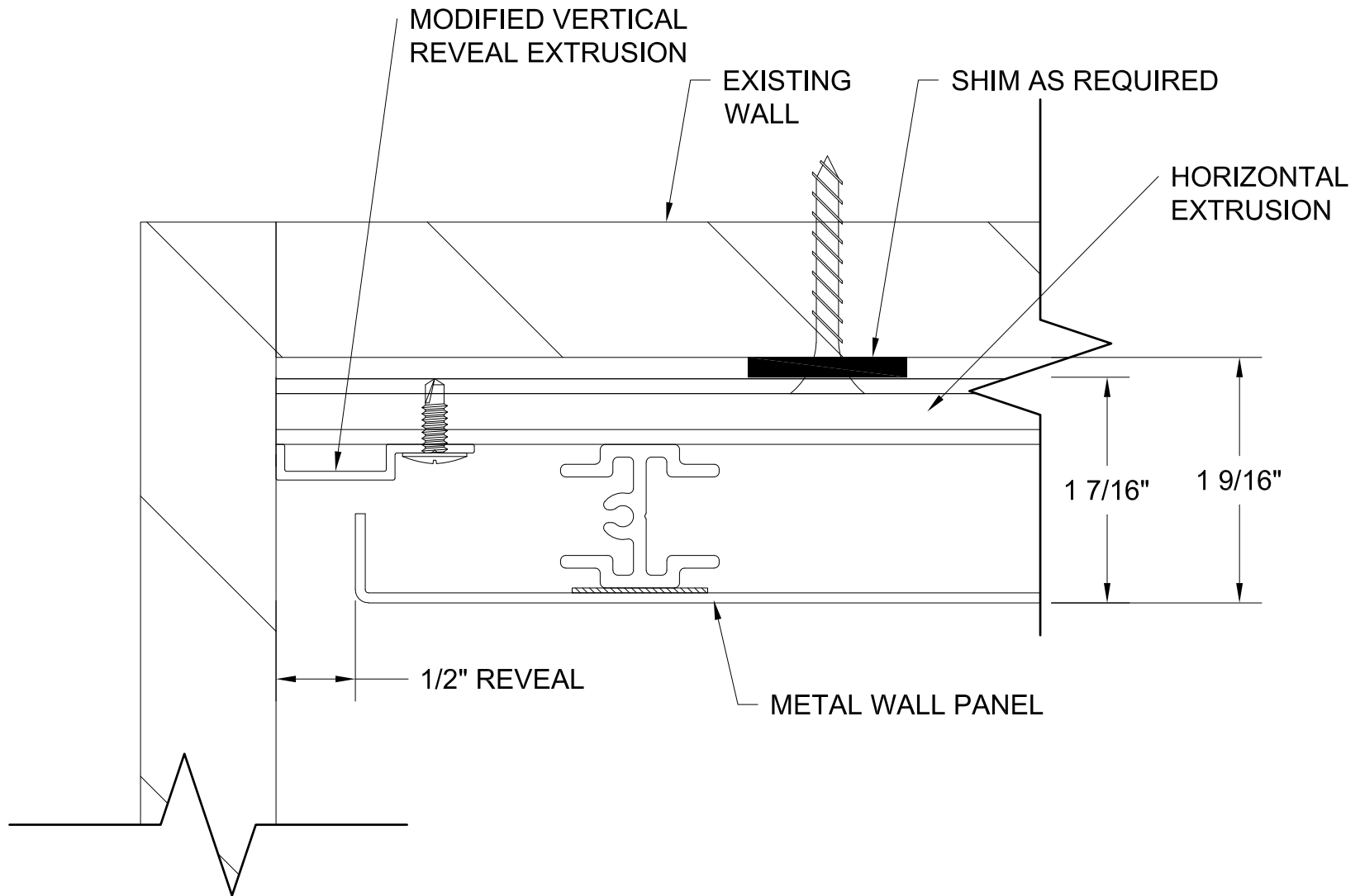
WALLS / CLADDINGS
WP MR - 1000 SERIES
INSIDE CORNER



GORDON®
ARCHITECTURAL+ENGINEERED SOLUTIONS

5023 Hazel Jones Rd.
Bossier City, LA 71111
800.747.8954
GORDON-INC.COM
sales@gordon-inc.com

WALLS / CLADDINGS
WP MR - 1000 SERIES
VERTICAL REVEAL



GORDON
 ARCHITECTURAL+ENGINEERED SOLUTIONS

© 5023 Hazel Jones Rd.
 Bossier City, LA 71111
 800.747.8954
 GORDON-INC.COM
 sales@gordon-inc.com

WALLS / CLADDINGS
 WP MR - 1000 SERIES
 WALL TERMINATION

MODIFIED VERTICAL
REVEAL EXTRUSION

EXISTING
WALL

SHIM AS REQUIRED

HORIZONTAL
EXTRUSION

DOOR
FRAME

1/2" REVEAL

METAL WALL PANEL

1 7/16"

1 9/16"

GORDON®
ARCHITECTURAL+ENGINEERED SOLUTIONS

5023 Hazel Jones Rd.
Bossier City, LA 71111
800.747.8954
GORDON-INC.COM
sales@gordon-inc.com

WALLS / CLADDINGS
WP MR - 1000 SERIES
SECTION AT DOOR FRAME