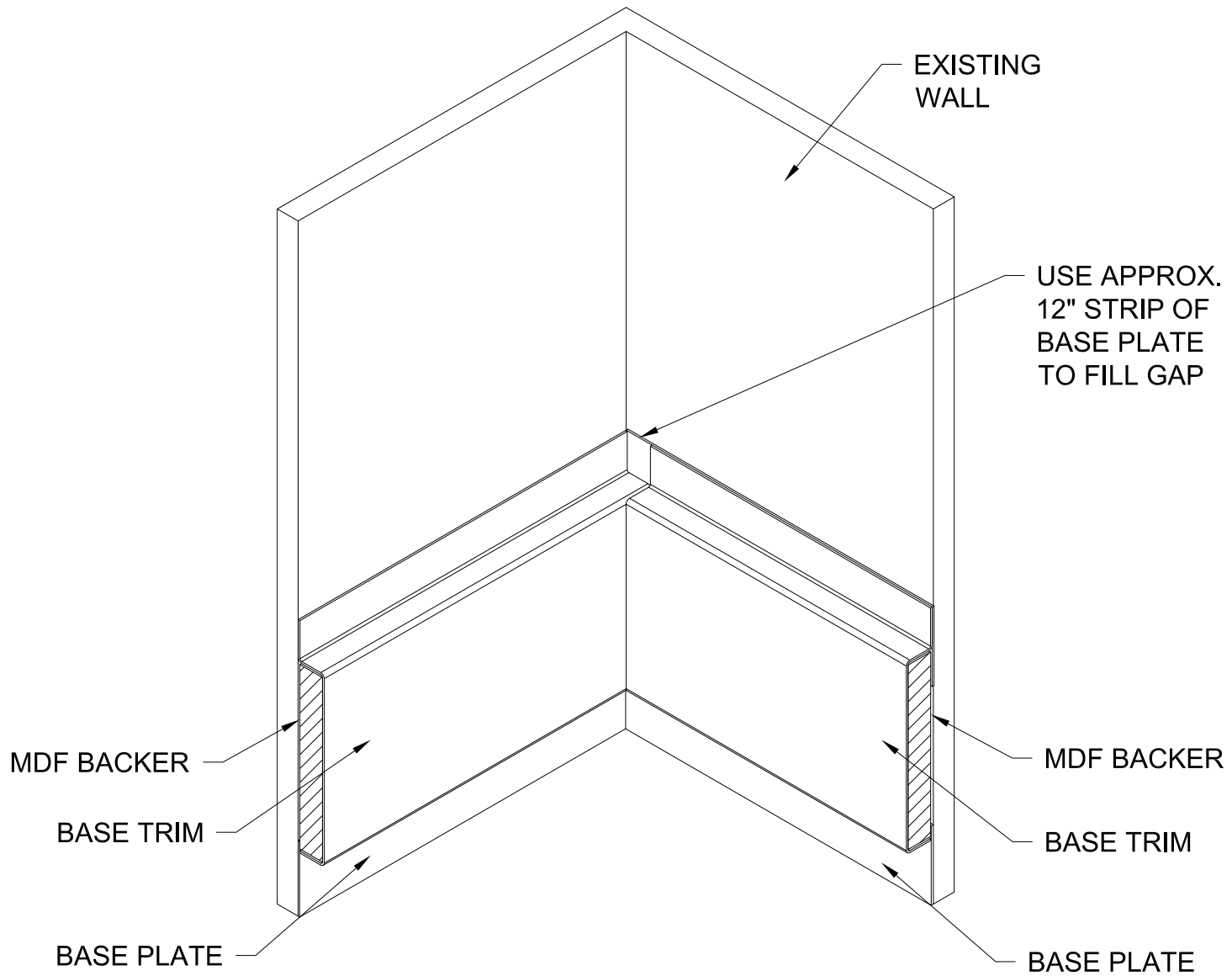
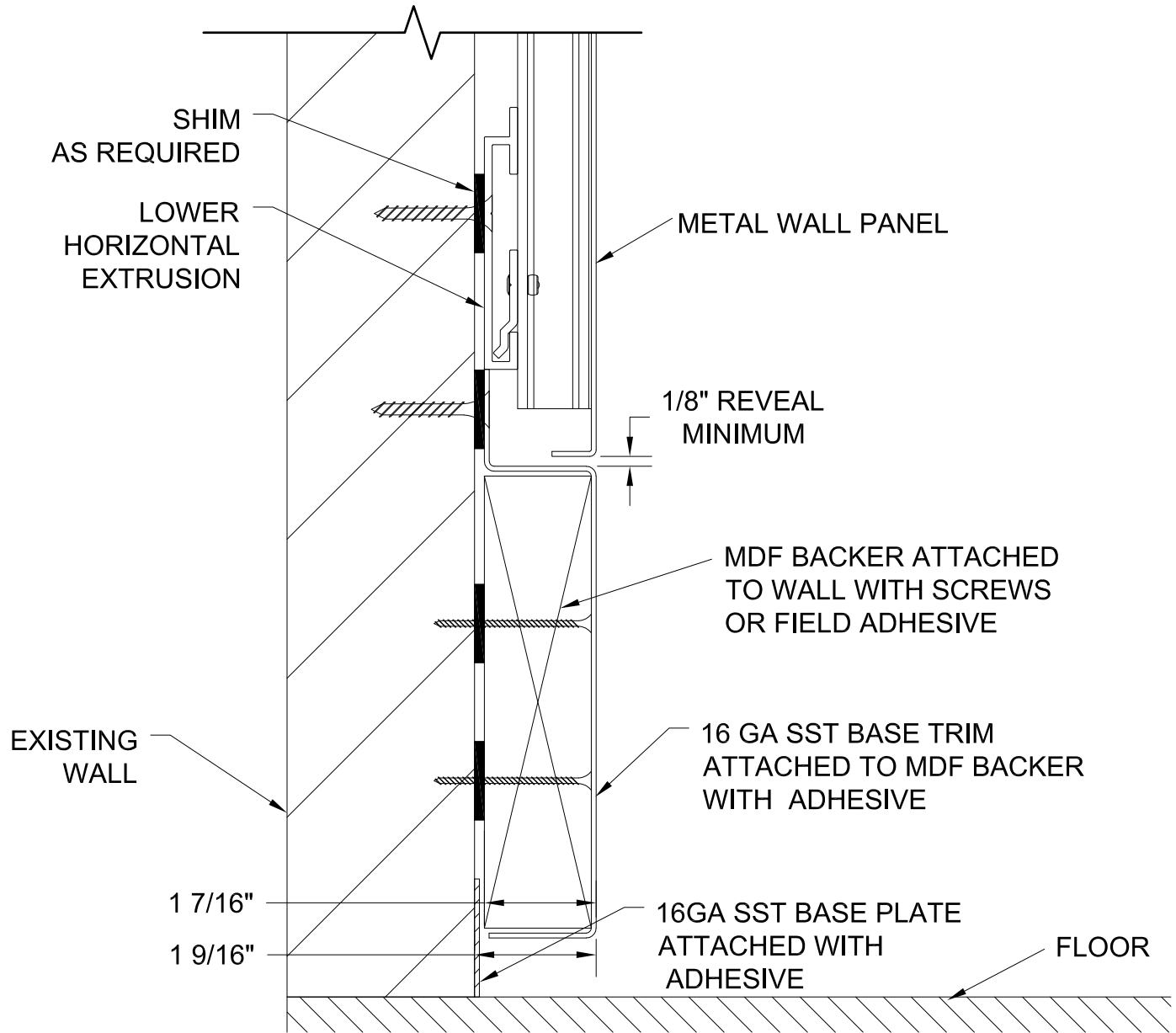


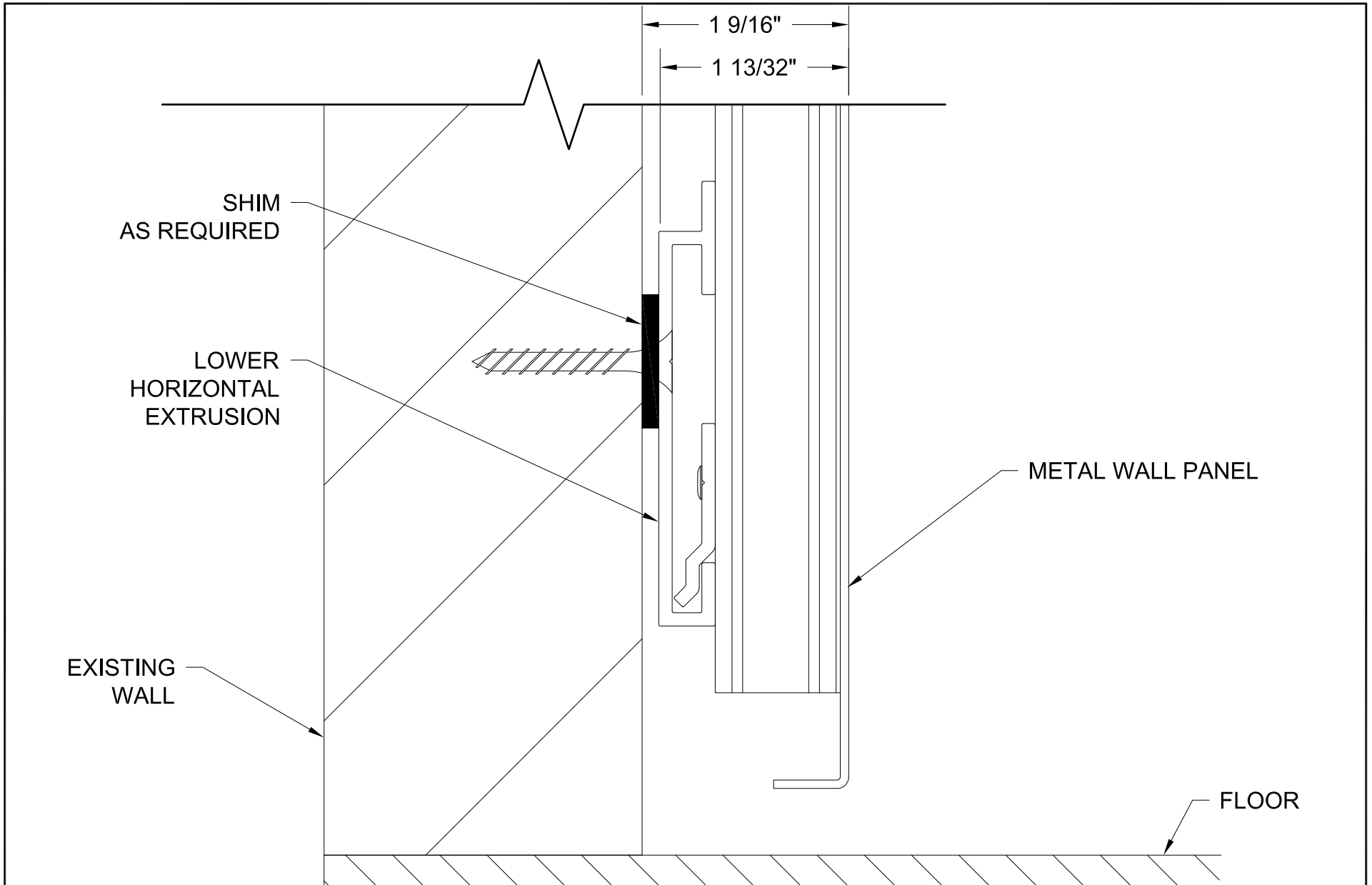
GORDON[®]
ARCHITECTURAL+ENGINEERED SOLUTIONS

5023 Hazel Jones Rd.
Bossier City, LA 71111
800.747.8954
GORDON-INC.COM
sales@gordon-inc.com

WALLS / CLADDINGS
WP MC - 1000 SERIES
BASE OUTSIDE CORNER ISO







GORDON®
 ARCHITECTURAL+ENGINEERED SOLUTIONS

5023 Hazel Jones Rd.
 Bossier City, LA 71111
 800.747.8954
 GORDON-INC.COM
 sales@gordon-inc.com

WALLS / CLADDINGS
 WP MC - 1000 SERIES
 BASE SECTION

SHIM
AS REQUIRED

LOWER
HORIZONTAL
EXTRUSION

EXISTING
WALL

METAL WALL PANEL

1 7/16"

1 9/16"

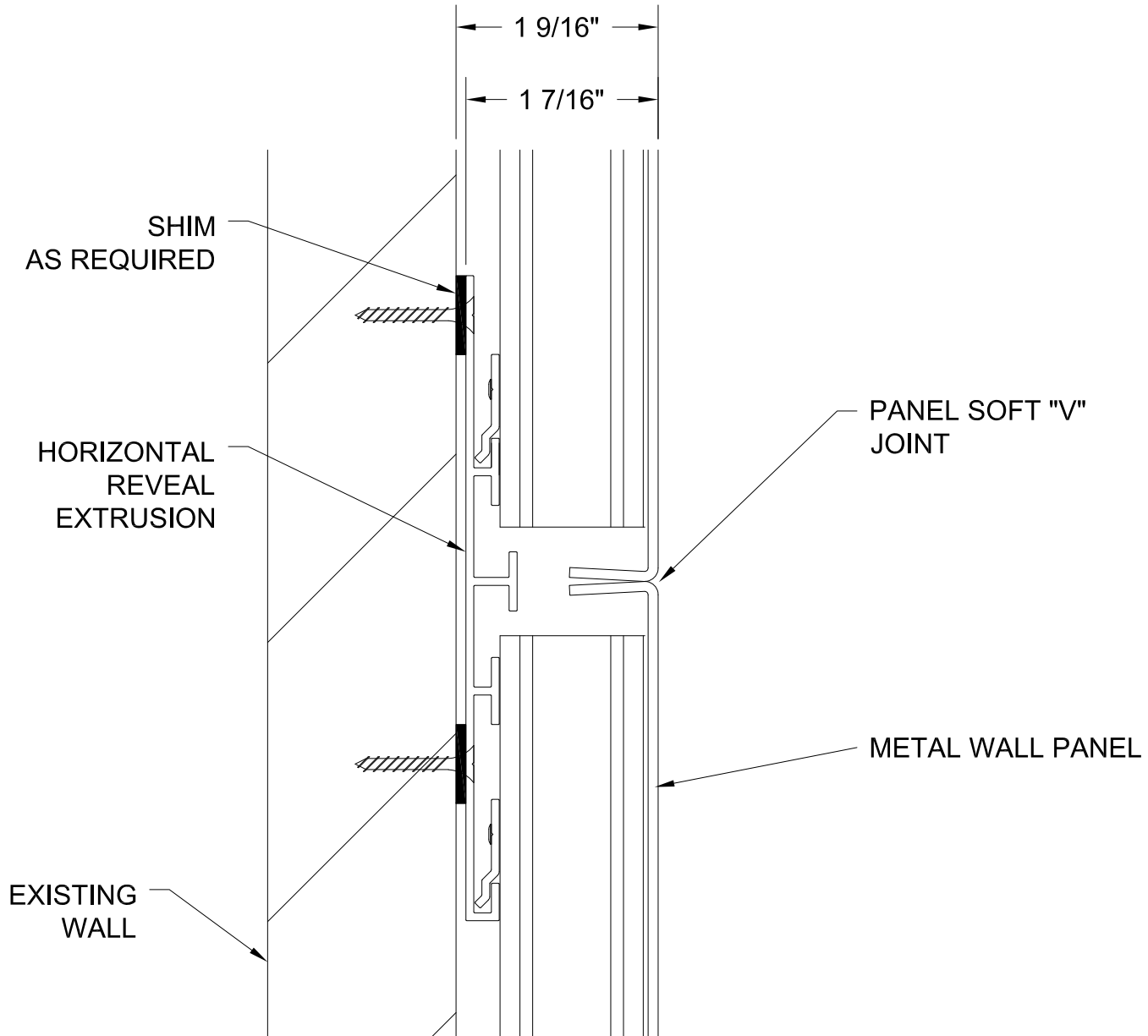
FLOOR

16GA SST BASE PLATE
ATTACHED WITH ADHESIVE

GORDON[®]
ARCHITECTURAL+ENGINEERED SOLUTIONS

5023 Hazel Jones Rd.
Bossier City, LA 71111
800.747.8954
GORDON-INC.COM
sales@gordon-inc.com

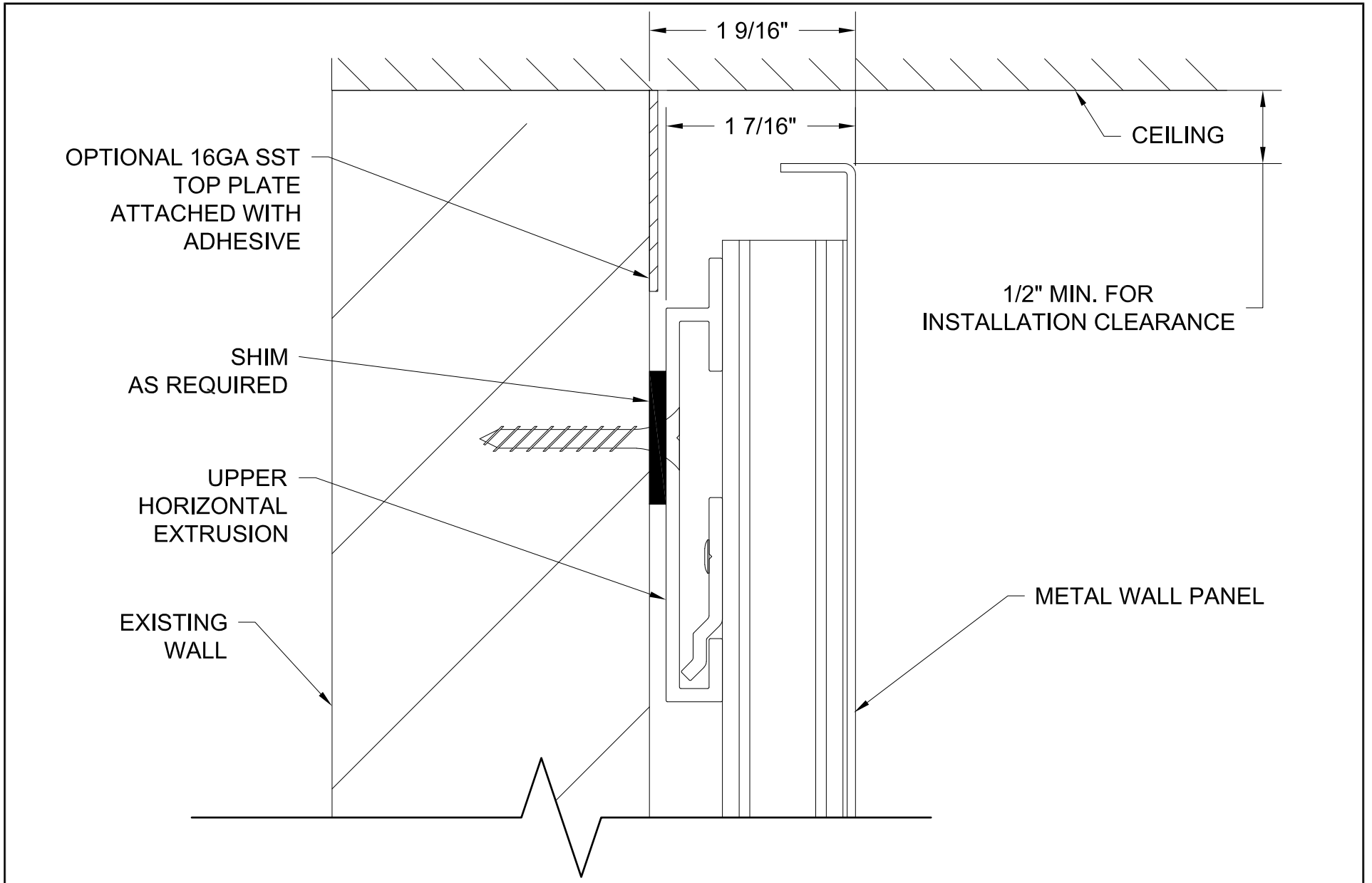
WALLS / CLADDINGS
WP MC - 1000 SERIES
BASE PLATE



GORDON[®]
ARCHITECTURAL+ENGINEERED SOLUTIONS

5023 Hazel Jones Rd.
Bossier City, LA 71111
800.747.8954
GORDON-INC.COM
sales@gordon-inc.com

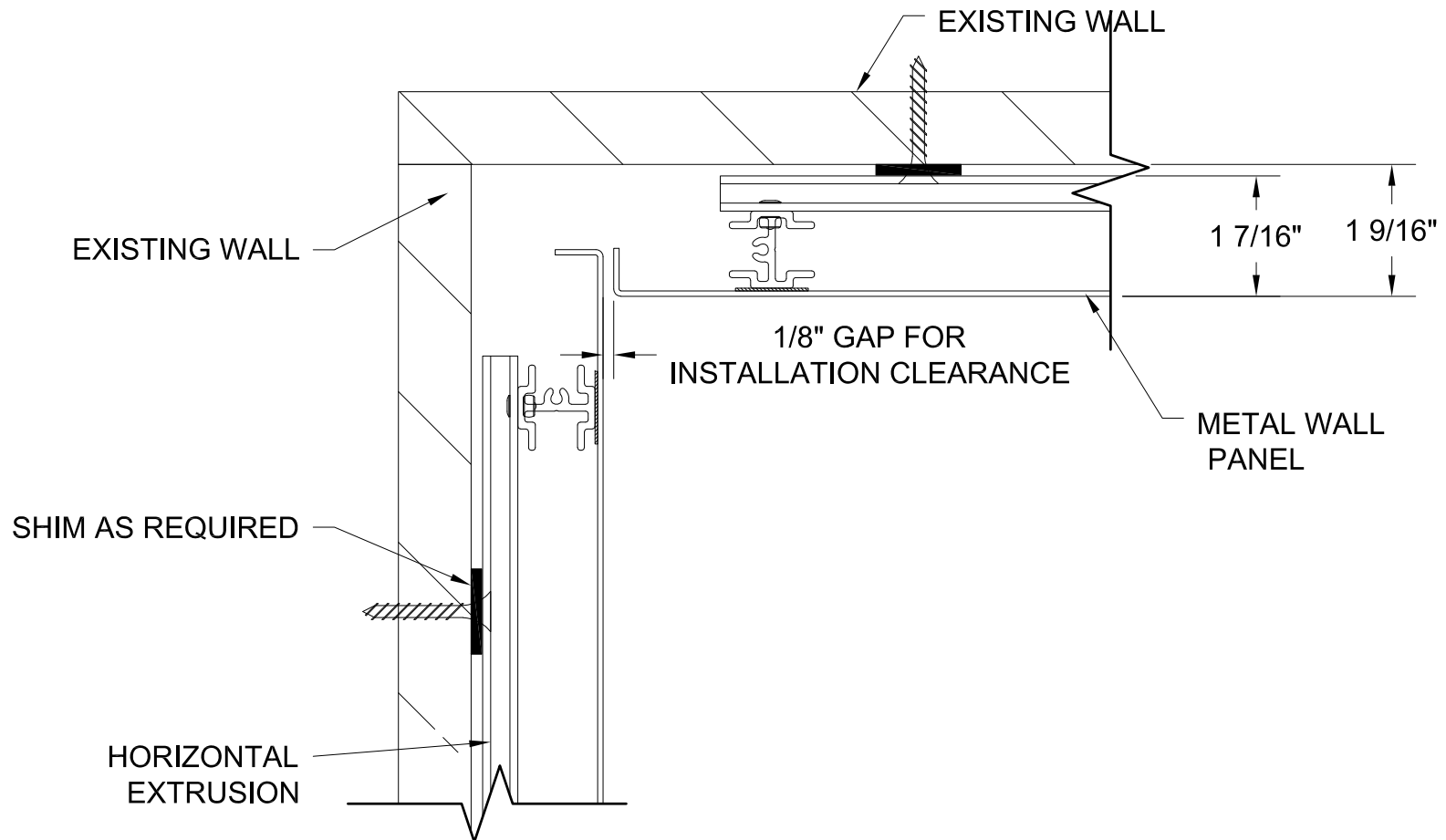
WALLS / CLADDINGS
WP MC - 1000 SERIES
HORIZONTAL JOINT



GORDON[®]
ARCHITECTURAL+ENGINEERED SOLUTIONS

5023 Hazel Jones Rd.
Bossier City, LA 71111
800.747.8954
GORDON-INC.COM
sales@gordon-inc.com

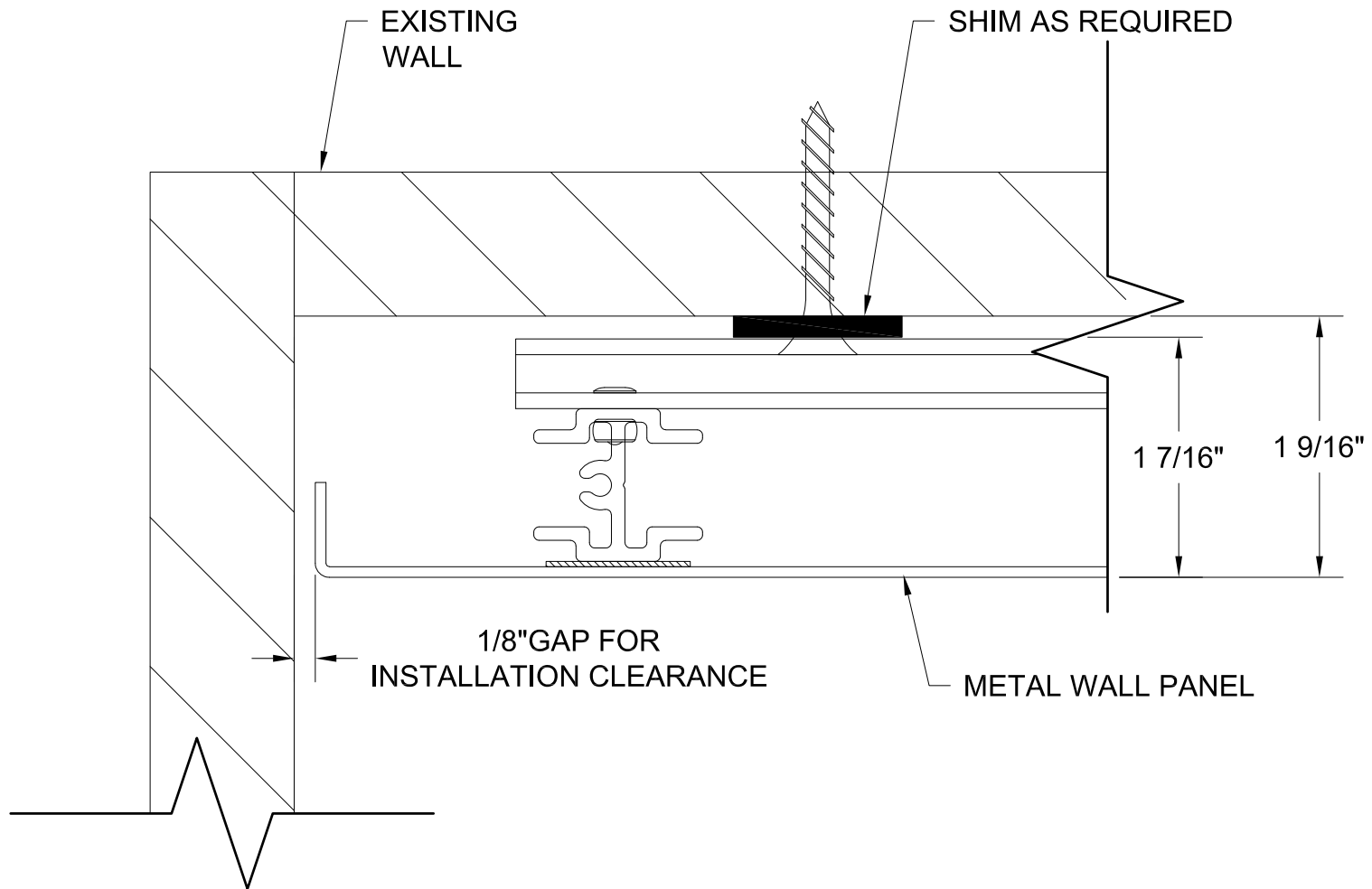
WALLS / CLADDINGS
WP MC - 1000 SERIES
WALL SECTION AT HEAD



GORDON[®]
ARCHITECTURAL+ENGINEERED SOLUTIONS

5023 Hazel Jones Rd.
Bossier City, LA 71111
800.747.8954
GORDON-INC.COM
sales@gordon-inc.com

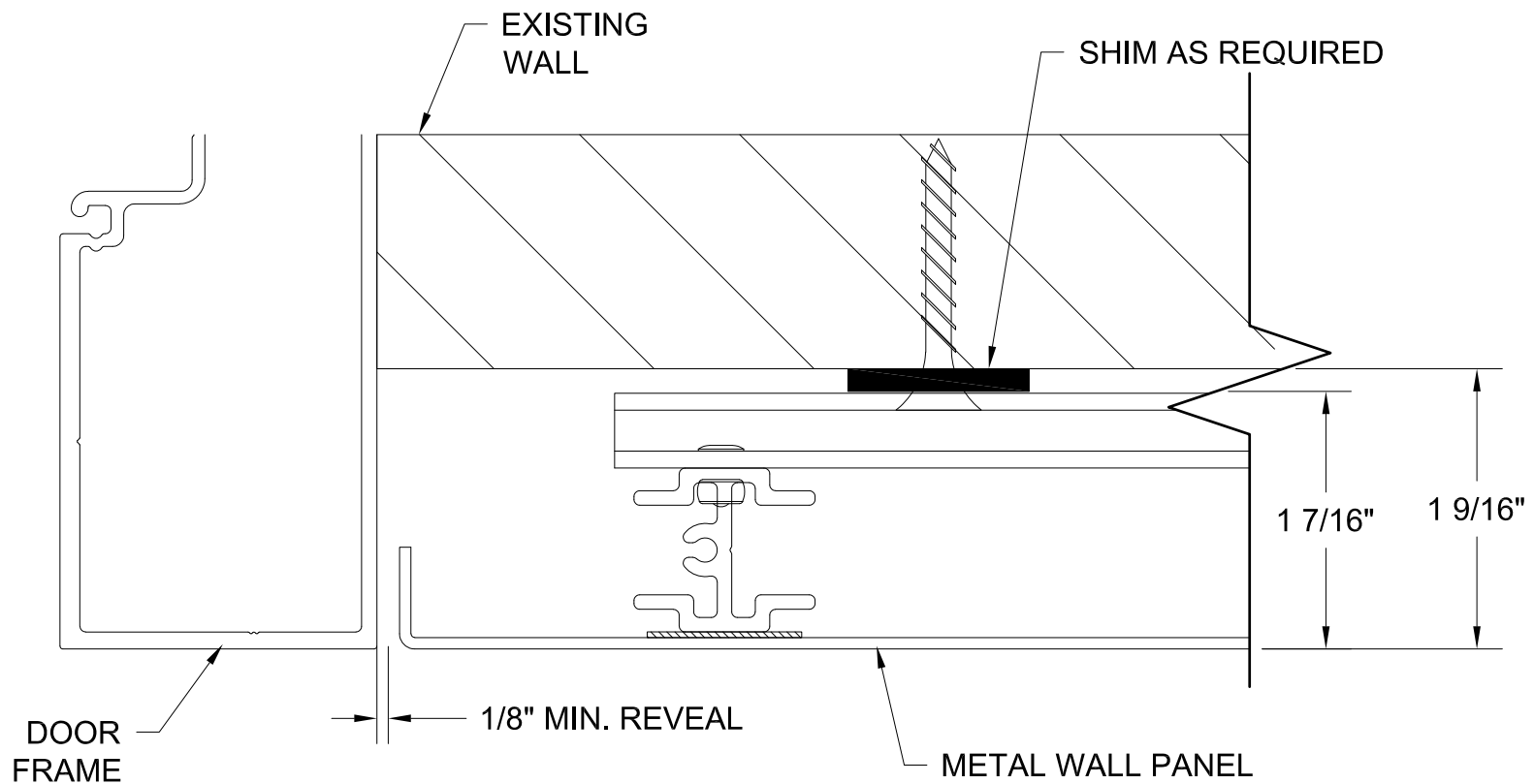
WALLS / CLADDINGS
WP MC - 1000 SERIES
INSIDE CORNER



GORDON[®]
 ARCHITECTURAL+ENGINEERED SOLUTIONS

5023 Hazel Jones Rd.
 Bossier City, LA 71111
 800.747.8954
 GORDON-INC.COM
 sales@gordon-inc.com

WALLS / CLADDINGS
 WP MC - 1000 SERIES
 WALL TERMINATION



GORDON[®]
 ARCHITECTURAL+ENGINEERED SOLUTIONS

5023 Hazel Jones Rd.
 Bossier City, LA 71111
 800.747.8954
 GORDON-INC.COM
 sales@gordon-inc.com

WALLS / CLADDINGS
 WP MC - 1000 SERIES
 SECTION AT DOOR FRAME