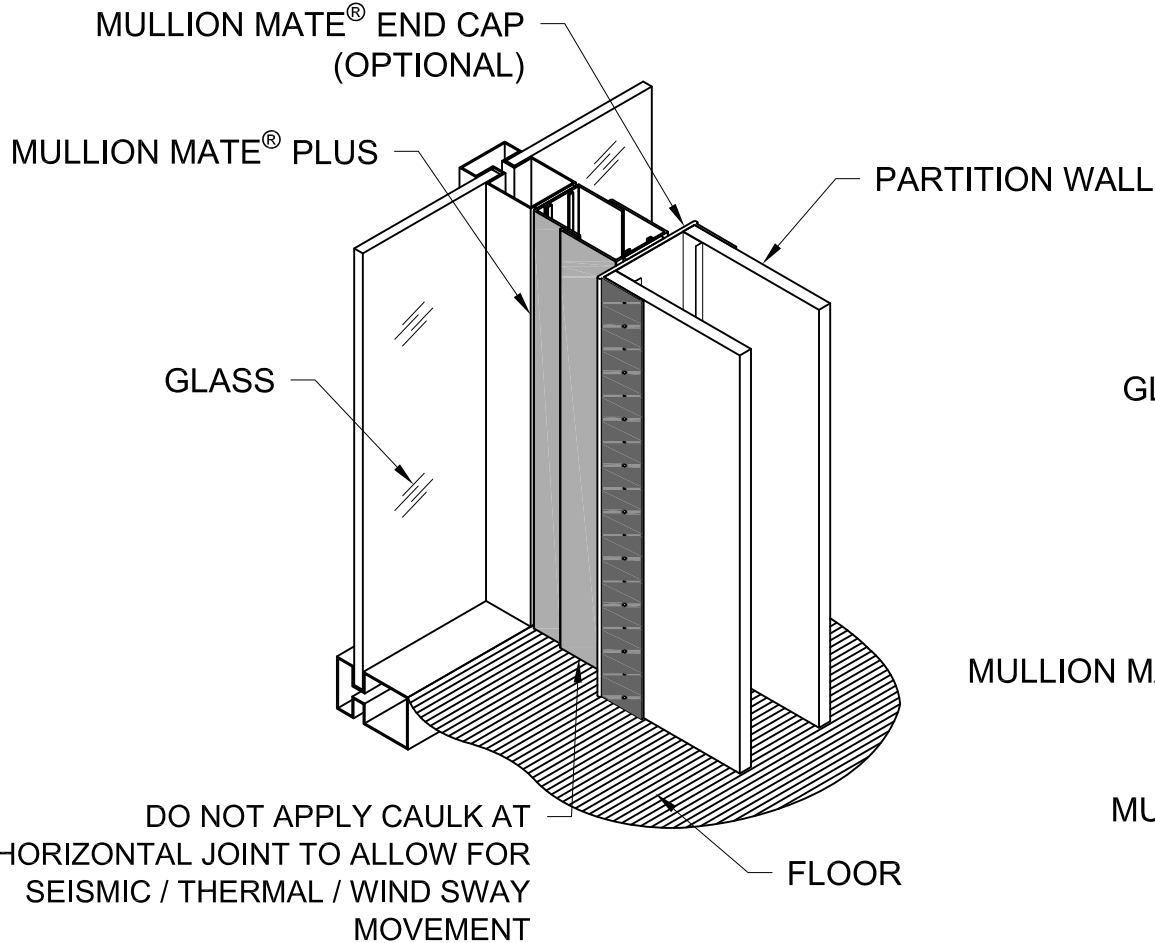
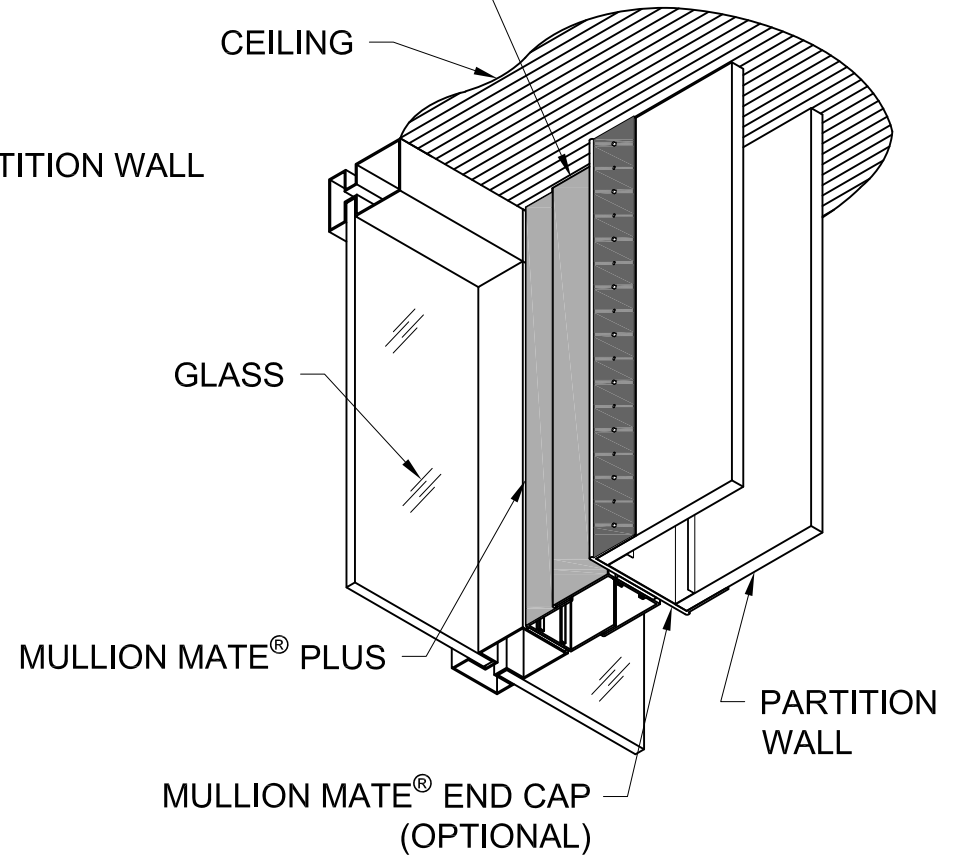


NOTE: MULLION MATE® PLUS
MAY BE SPLICED TOGETHER WHEN
GREATER THAN 192" IS REQUIRED.

DO NOT APPLY CAULK AT
HORIZONTAL JOINT TO ALLOW FOR
SEISMIC / THERMAL / WIND SWAY
MOVEMENT



DETAIL AT FLOOR



DETAIL AT CEILING

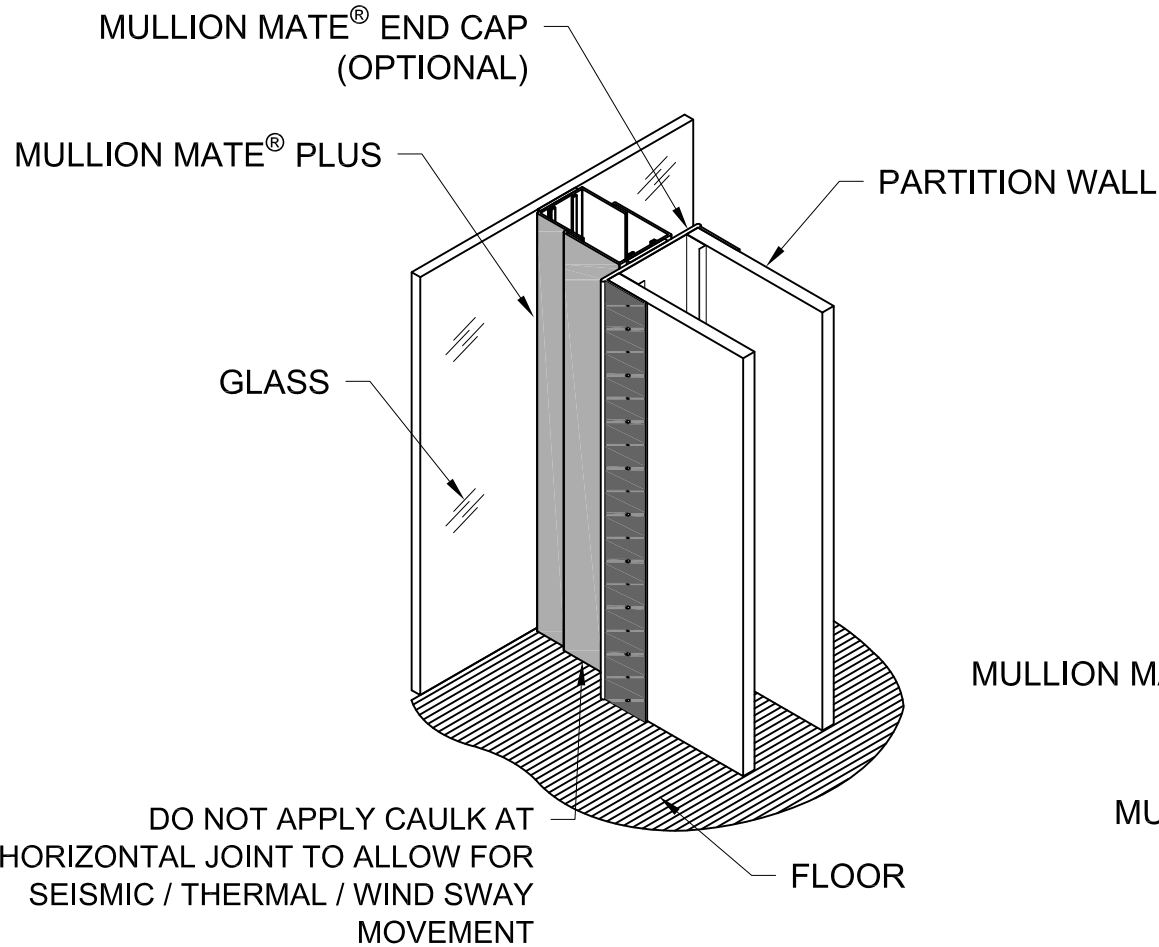
GORDON®
ARCHITECTURAL+ENGINEERED SOLUTIONS

5023 Hazel Jones Rd.
Bossier City, LA 71111
800.747.8954
GORDON-INC.COM
sales@gordon-inc.com

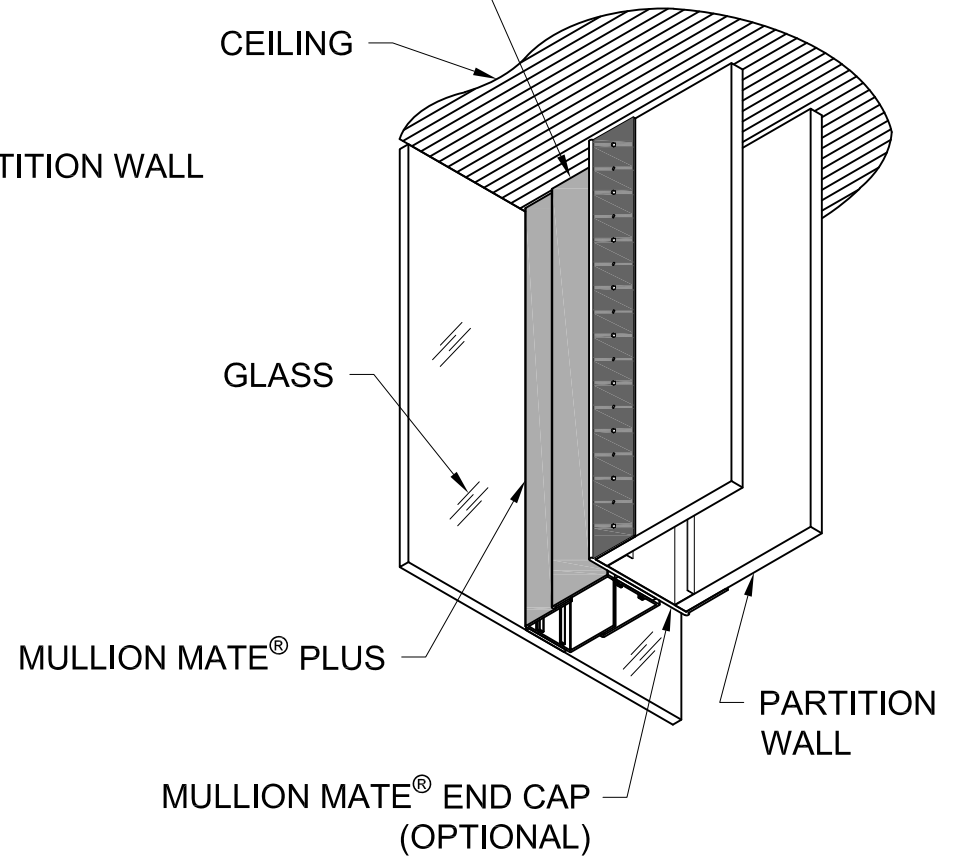
PARTITION GAP CLOSURES
MULLION MATE® PLUS
WALL-TO-MULLION ISO VIEW

NOTE: MULLION MATE® PLUS
MAY BE SPLICED TOGETHER WHEN
GREATER THAN 192" IS REQUIRED.

DO NOT APPLY CAULK AT
HORIZONTAL JOINT TO ALLOW FOR
SEISMIC / THERMAL / WIND SWAY
MOVEMENT



DETAIL AT FLOOR



DETAIL AT CEILING

NOTE: MULLION MATE® PLUS
MAY BE SPLICED TOGETHER WHEN
GREATER THAN 192" IS REQUIRED.

DO NOT APPLY CAULK AT
HORIZONTAL JOINT TO ALLOW FOR
SEISMIC / THERMAL / WIND SWAY
MOVEMENT

MULLION MATE® END CAP
(OPTIONAL)

MULLION MATE® PLUS
FIELD NOTCH
AS REQUIRED

GLASS

PARTITION WALL

DO NOT APPLY CAULK AT
HORIZONTAL JOINT TO ALLOW FOR
SEISMIC / THERMAL / WIND SWAY
MOVEMENT

FLOOR

DETAIL AT FLOOR

CEILING

GLASS

MULLION MATE® PLUS
FIELD NOTCH
AS REQUIRED

MULLION MATE® END CAP
(OPTIONAL)

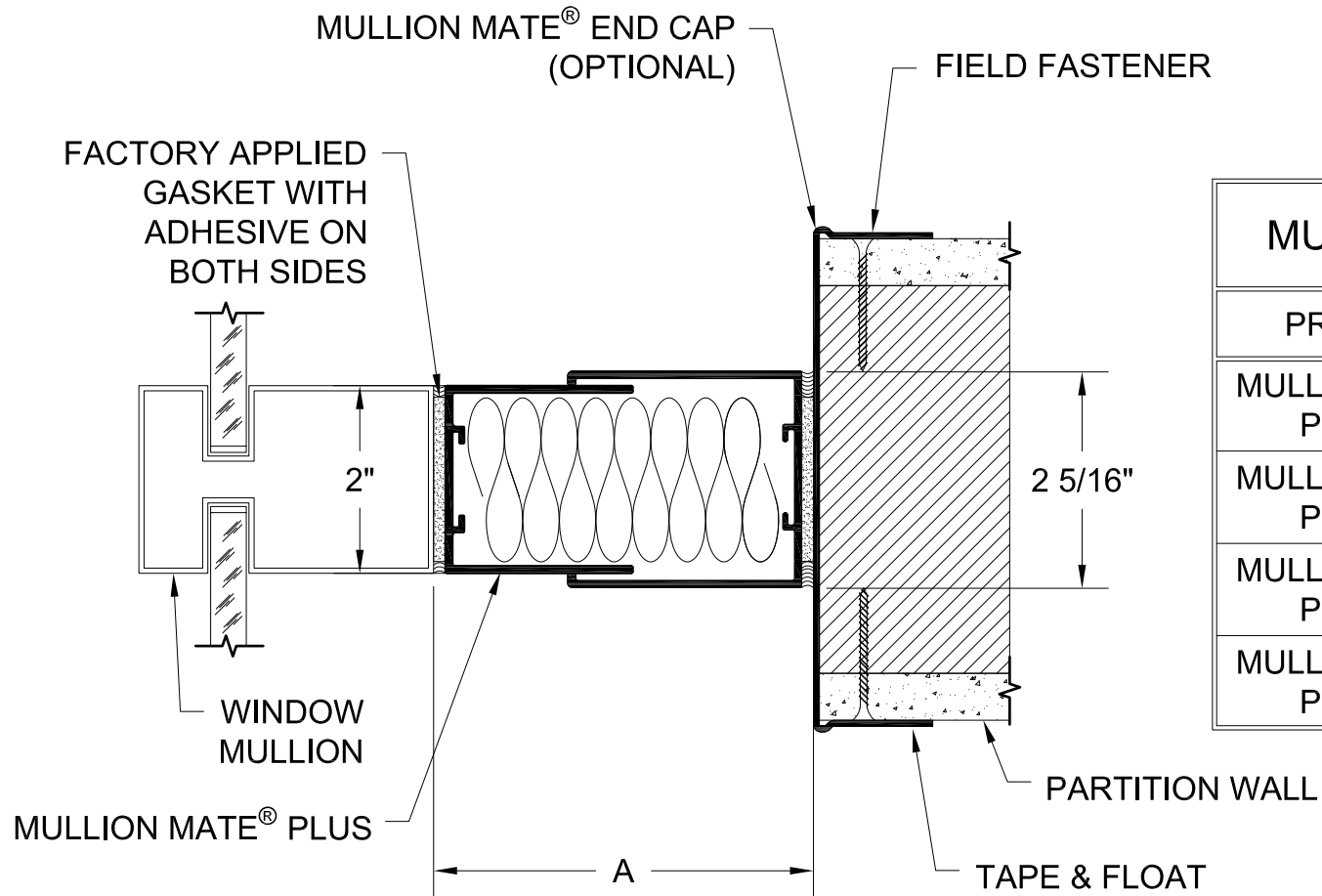
PARTITION WALL

DETAIL AT CEILING

GORDON®
ARCHITECTURAL+ENGINEERED SOLUTIONS

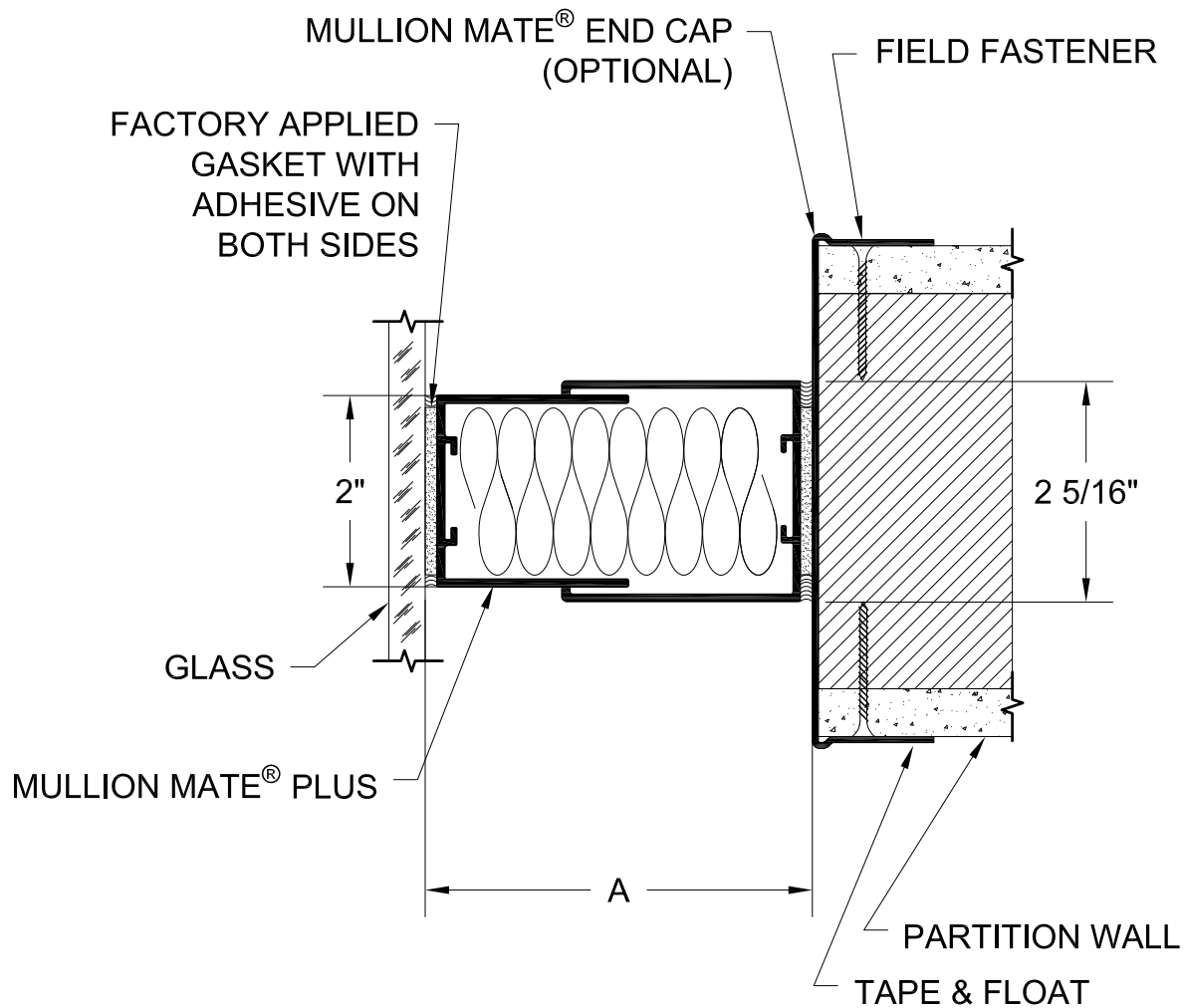
5023 Hazel Jones Rd.
Bossier City, LA 71111
800.747.8954
GORDON-INC.COM
sales@gordon-inc.com

PARTITION GAP CLOSURES
MULLION MATE® PLUS
WALL-TO-GLASS (NOTCHED) ISO VIEW



MULLION MATE® SIZING	
PRODUCT	DIM "A"
MULLION MATE® PLUS - 2	2" TO 2 15/16"
MULLION MATE® PLUS - 3	3" TO 3 15/16"
MULLION MATE® PLUS - 4	4" TO 4 15/16"
MULLION MATE® PLUS - 5	5" TO 6 15/16"

SECTION AT MULLION TO WALL

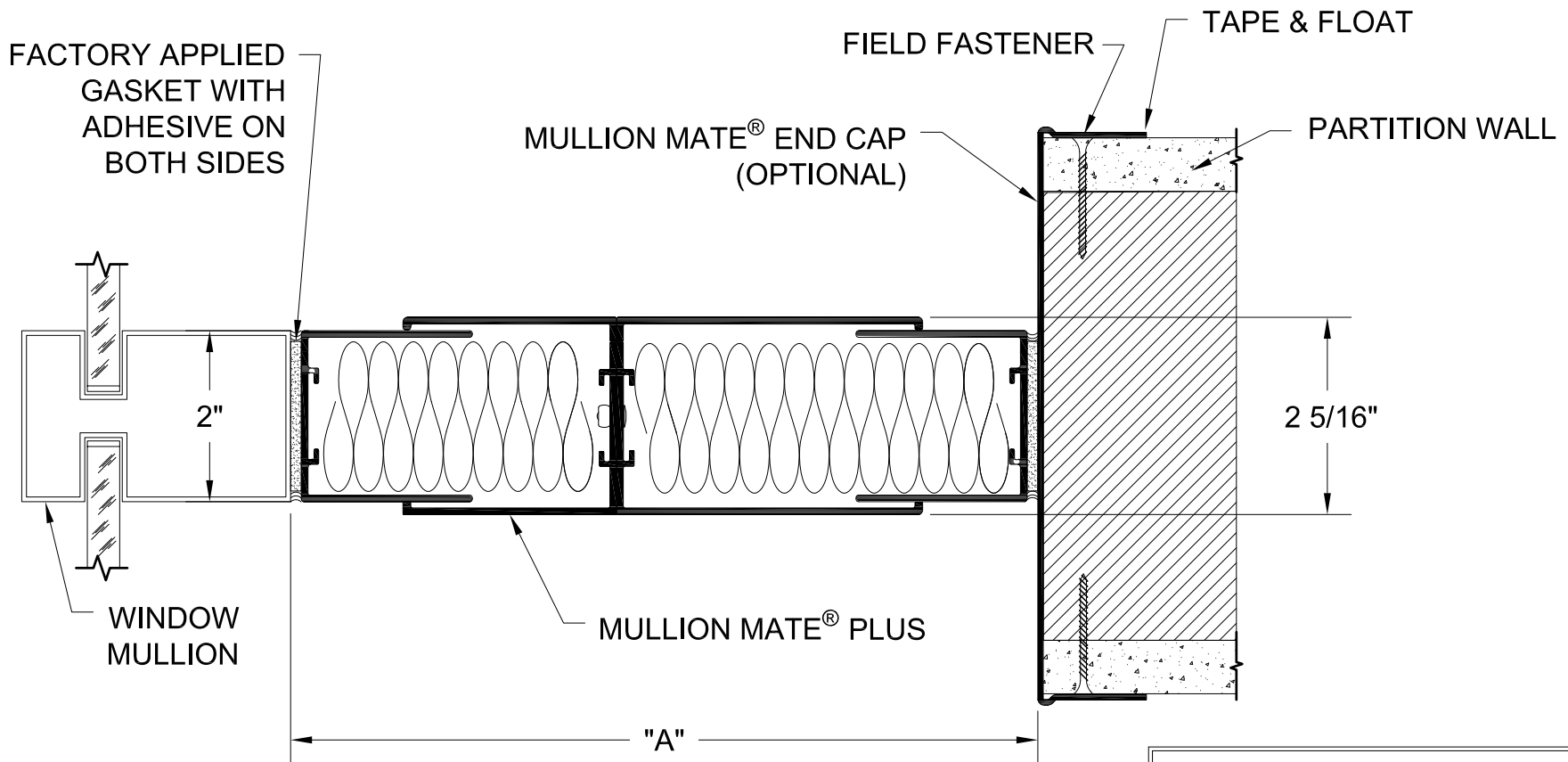


SECTION AT GLASS TO WALL

MULLION MATE® SIZING

PRODUCT	DIM "A"
MULLION MATE® PLUS - 2	2" TO 2 15/16"
MULLION MATE® PLUS - 3	3" TO 3 15/16"
MULLION MATE® PLUS - 4	4" TO 4 15/16"
MULLION MATE® PLUS - 5	5" TO 6 15/16"

WALL-TO-GLASS APPLICATION
 MULLION MATE® PLUS IS INSTALLED AGAINST MINIMUM 1/8" THICK GLASS. INSTALL THE GASKET AGAINST THE GLASS SIDE FIRST. CARE SHOULD BE GIVEN TO PROPERLY POSITION GASKET PRIOR TO CONTACTING GLASS.



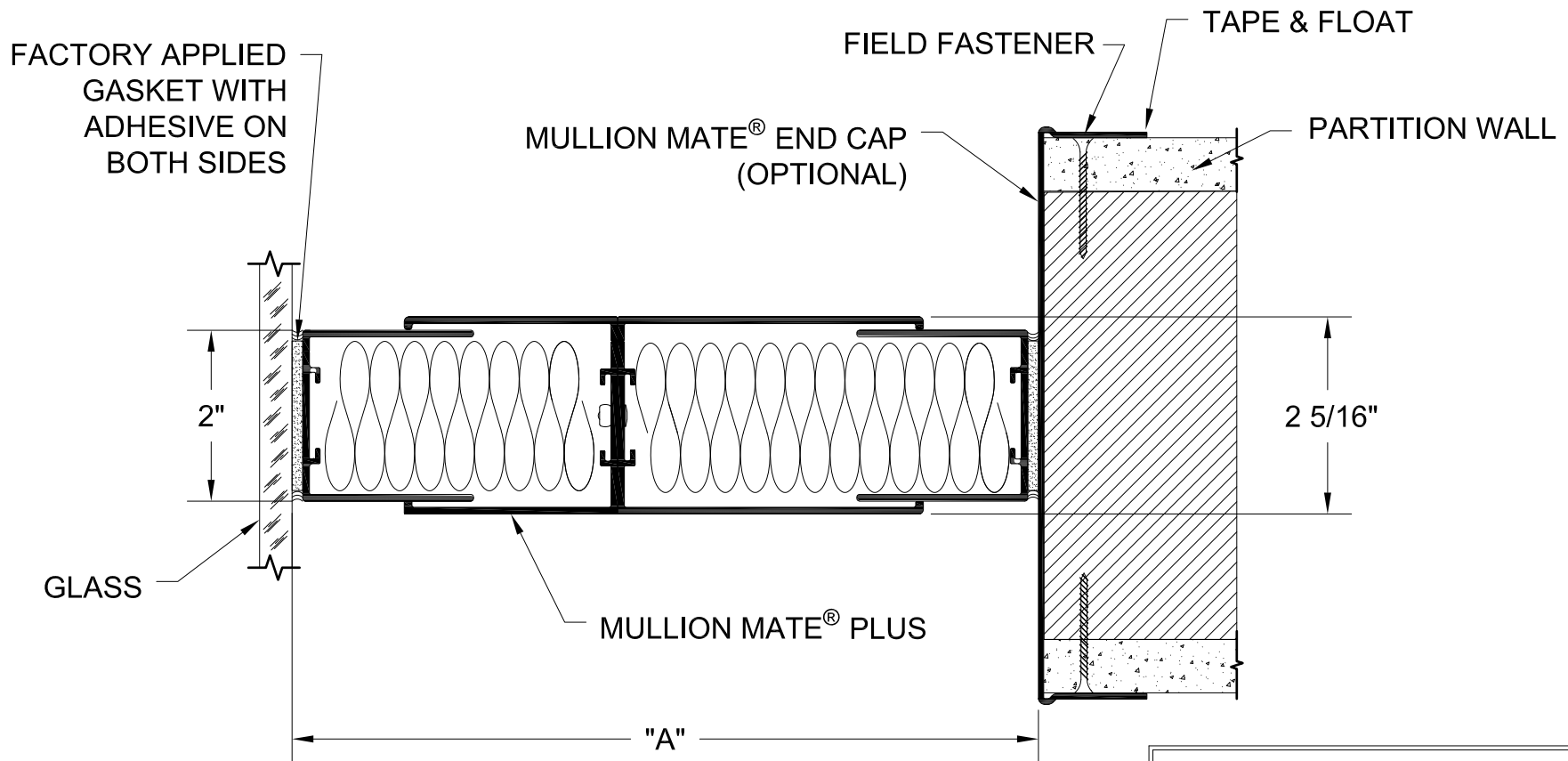
SECTION AT MULLION TO WALL

MULLION MATE [®] SIZING	
PRODUCT	DIM "A"
MULLION MATE [®] PLUS - 7	7" TO 8 15/16"
MULLION MATE [®] PLUS - 9	9" TO 13 1/2"

GORDON[®]
ARCHITECTURAL+ENGINEERED SOLUTIONS

5023 Hazel Jones Rd.
Bossier City, LA 71111
800.747.8954
GORDON-INC.COM
sales@gordon-inc.com

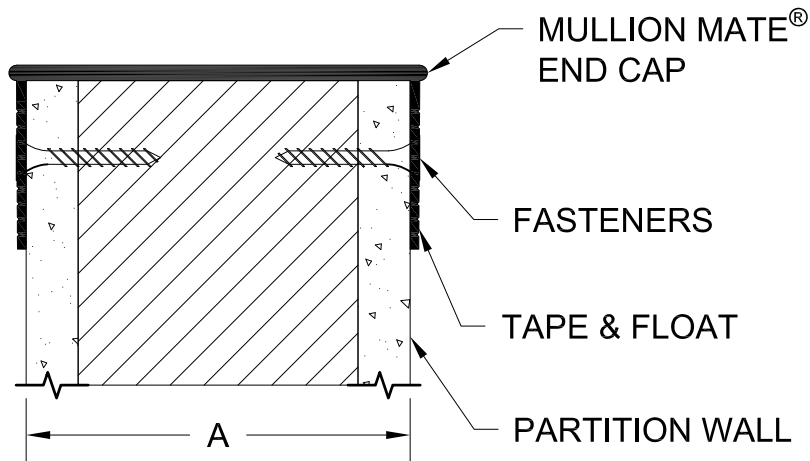
**PARTITION GAP CLOSURE
MULLION MATE[®] PLUS
7 & 9 SECTION AT MULLION**



SECTION AT GLASS TO WALL

WALL-TO-GLASS APPLICATION
 MULLION MATE® PLUS IS INSTALLED AGAINST MINIMUM 1/8" THICK GLASS. INSTALL THE GASKET AGAINST THE GLASS SIDE FIRST. CARE SHOULD BE GIVEN TO PROPERLY POSITION GASKET PRIOR TO CONTACTING GLASS.

MULLION MATE® SIZING	
PRODUCT	DIM "A"
MULLION MATE® PLUS - 7	7" TO 8 15/16"
MULLION MATE® PLUS - 9	9" TO 13 1/2"



MULLION MATE® END CAPS

PART #	"A"
MMEC-375	3 3/4"
MMEC-487	4 7/8"
MMECBF-518	5 1/8"
MMECBF-514	5 1/4"
MMECBF-512	5 1/2"
MMEC-600	6"
MMECBF-618	6 1/8"
MMEC-725	7 1/4"
MMECBF-812	8 1/2"

* CONTACT FACTORY FOR OTHER SIZE OPTIONS