

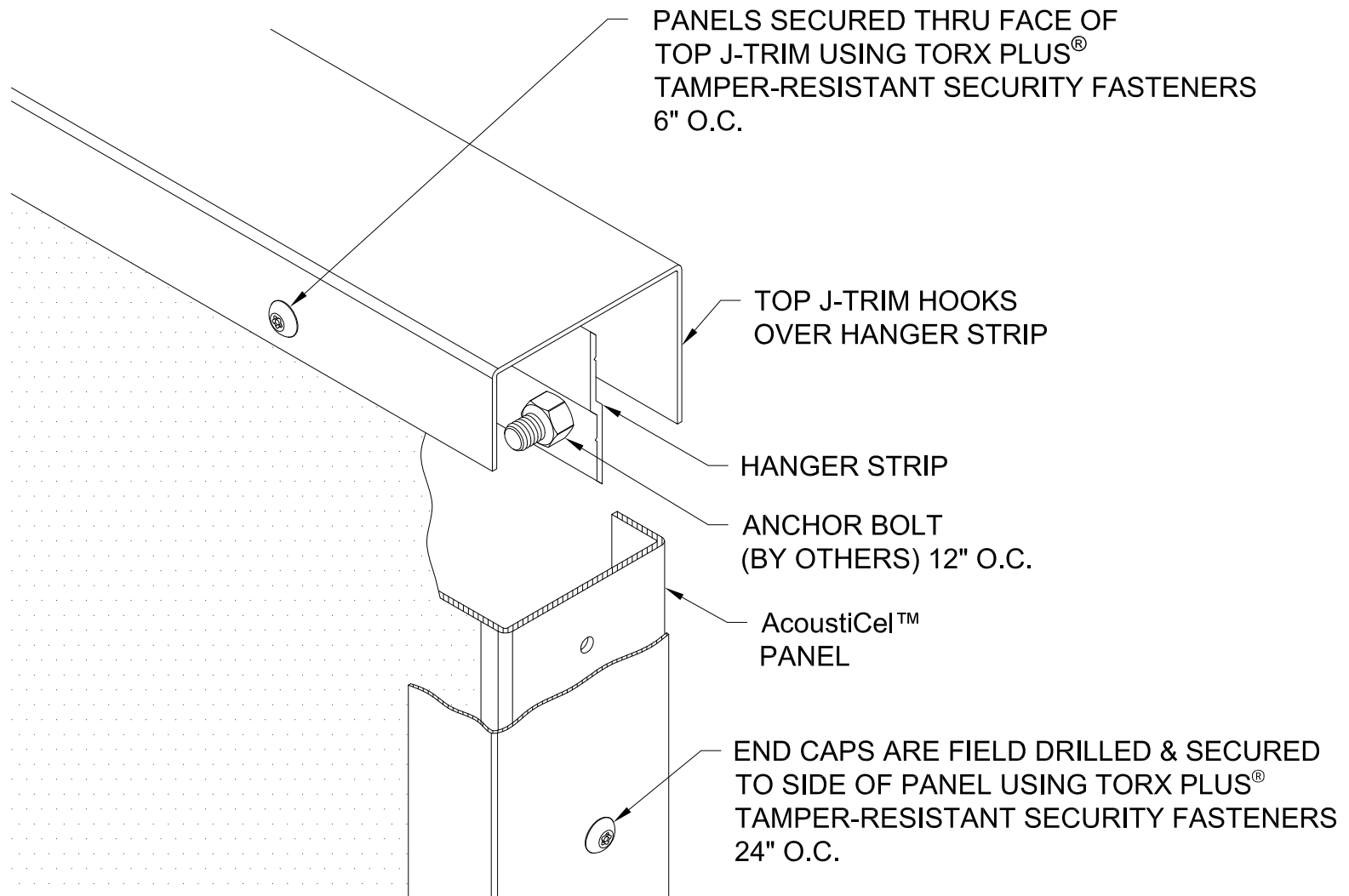
NOTE: BEFORE REMOVING TEMPORARY CLIPS TO INSTALL TOP J-TRIM, PANELS SHOULD BE HELD IN PLACE WITH STRAPPING / BRACING (BY OTHERS)

TORX PLUS® IS A REGISTERED TRADEMARK OF ACUMENT INTELLECTUAL PROPERTIES, LLC

GORDON®
ARCHITECTURAL+ENGINEERED SOLUTIONS

5023 Hazel Jones Rd.
Bossier City, LA 71111
800.747.8954
GORDON-INC.COM
sales@gordon-inc.com

SECURITY WALLS
ACOUSTICEL - METAL PLANK
ISOMETRIC ASSEMBLY

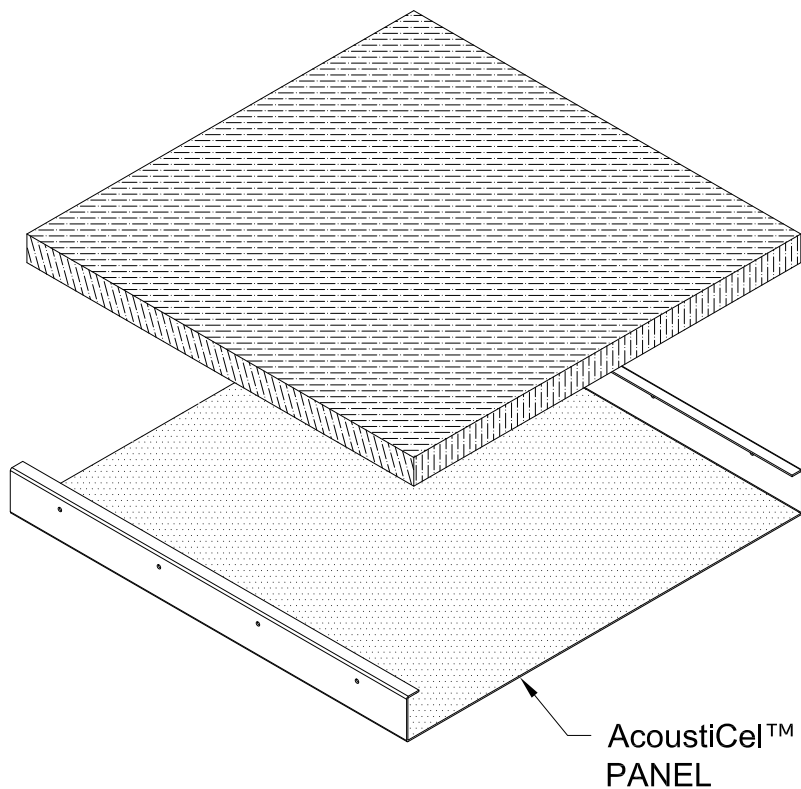


TORX PLUS® IS A REGISTERED TRADEMARK OF ACUMENT INTELLECTUAL PROPERTIES, LLC

GORDON®
ARCHITECTURAL+ENGINEERED SOLUTIONS

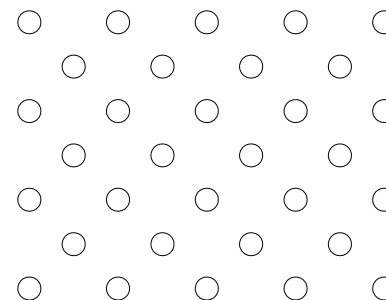
5023 Hazel Jones Rd.
Bossier City, LA 71111
800.747.8954
GORDON-INC.COM
sales@gordon-inc.com

SECURITY WALLS
ACOUSTICEL - METAL PLANK
ISOMETRIC DETAIL



CLASS A
PVC WRAPPED
ACOUSTICAL INSULATION

AcoustiCel™
PANEL

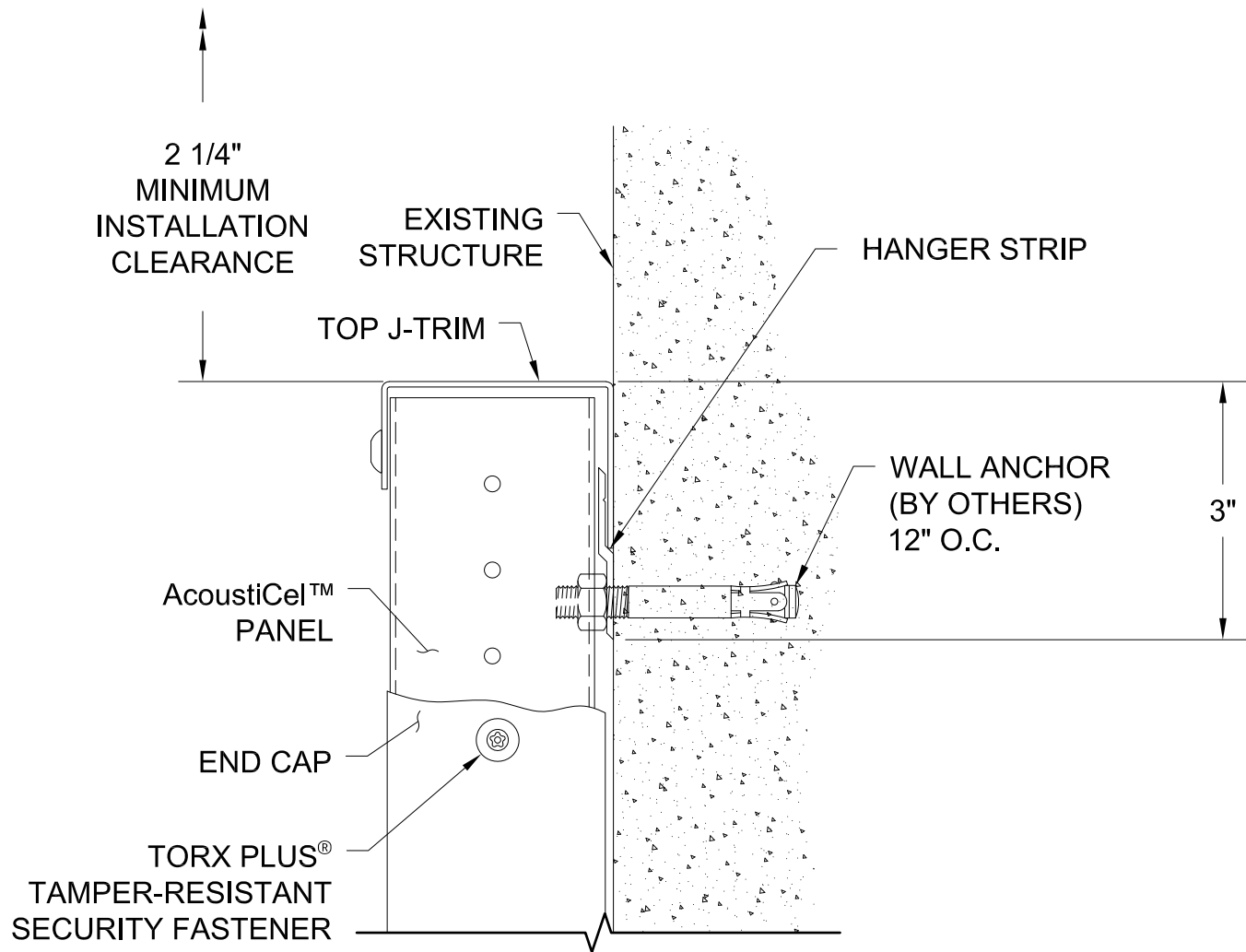


R18-1132DG11 PANEL PERFORATION DETAIL
1/8" HOLES ON 11/32" 45° DIAGONAL CENTERS
11% OPEN AREA

GORDON®
ARCHITECTURAL+ENGINEERED SOLUTIONS

5023 Hazel Jones Rd.
Bossier City, LA 71111
800.747.8954
GORDON-INC.COM
sales@gordon-inc.com

SECURITY WALLS
ACOUSTICEL - METAL PLANK
PANEL ASSEMBLY DETAIL

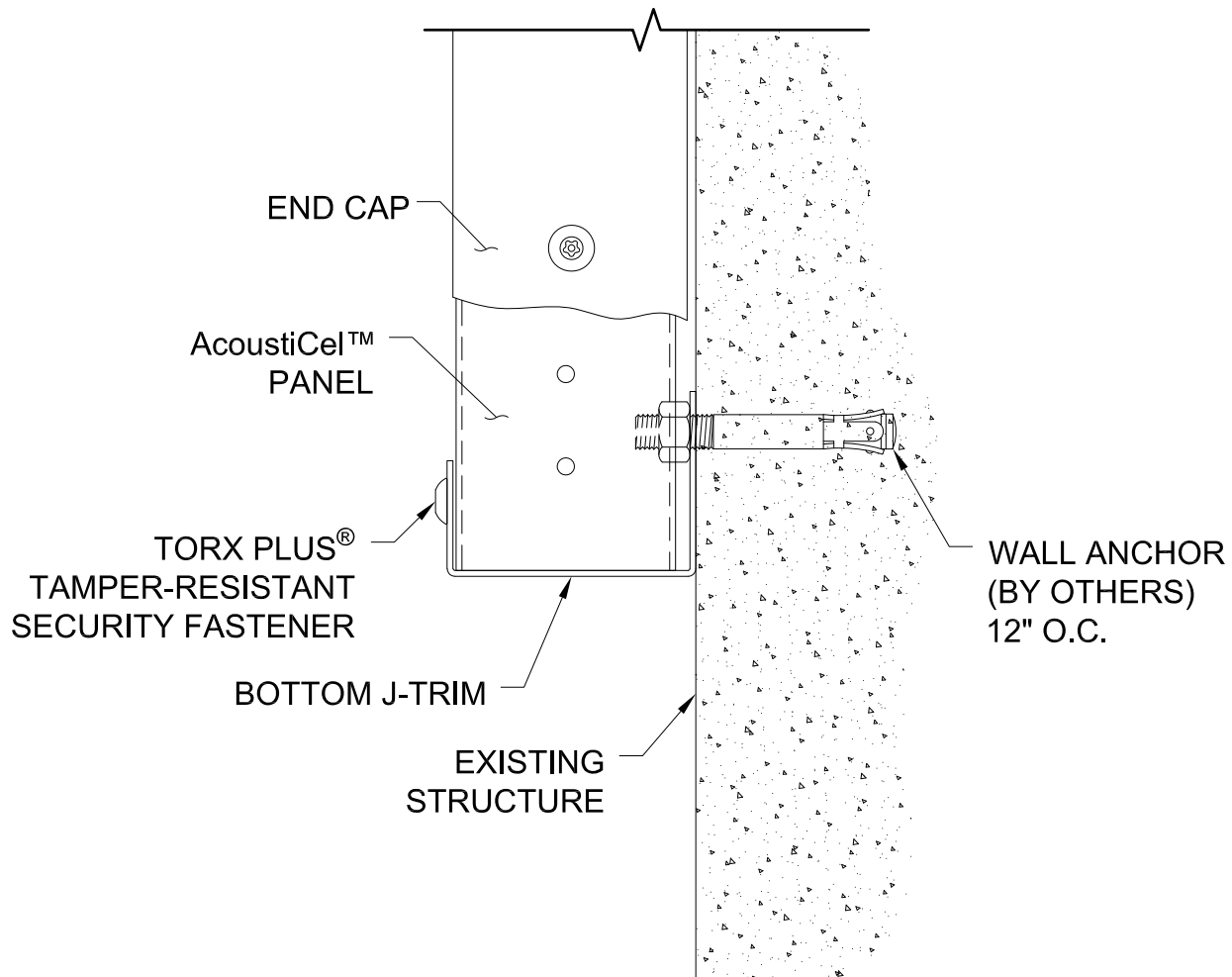


TORX PLUS® IS A REGISTERED TRADEMARK OF
ACUMENT INTELLECTUAL PROPERTIES, LLC

GORDON®
ARCHITECTURAL+ENGINEERED SOLUTIONS

5023 Hazel Jones Rd.
Bossier City, LA 71111
800.747.8954
GORDON-INC.COM
sales@gordon-inc.com

SECURITY WALLS
ACOUSTICEL - METAL PLANK
J-TRIM DETAIL - TOP



TORX PLUS® IS A REGISTERED TRADEMARK OF
ACUMENT INTELLECTUAL PROPERTIES, LLC

GORDON®
ARCHITECTURAL+ENGINEERED SOLUTIONS

5023 Hazel Jones Rd.
Bossier City, LA 71111
800.747.8954
GORDON-INC.COM
sales@gordon-inc.com

SECURITY WALLS
ACOUSTICEL - METAL PLANK
J-TRIM DETAIL - BOTTOM