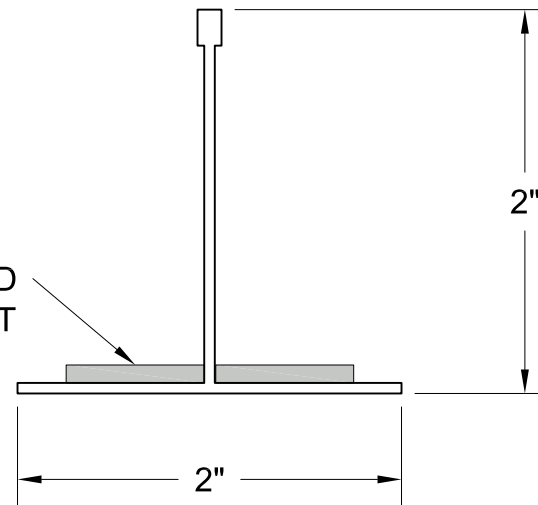


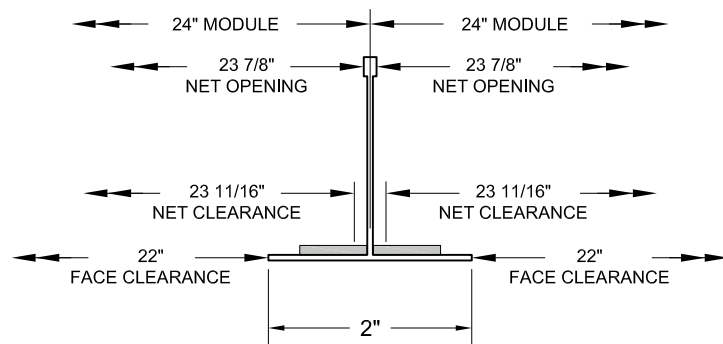
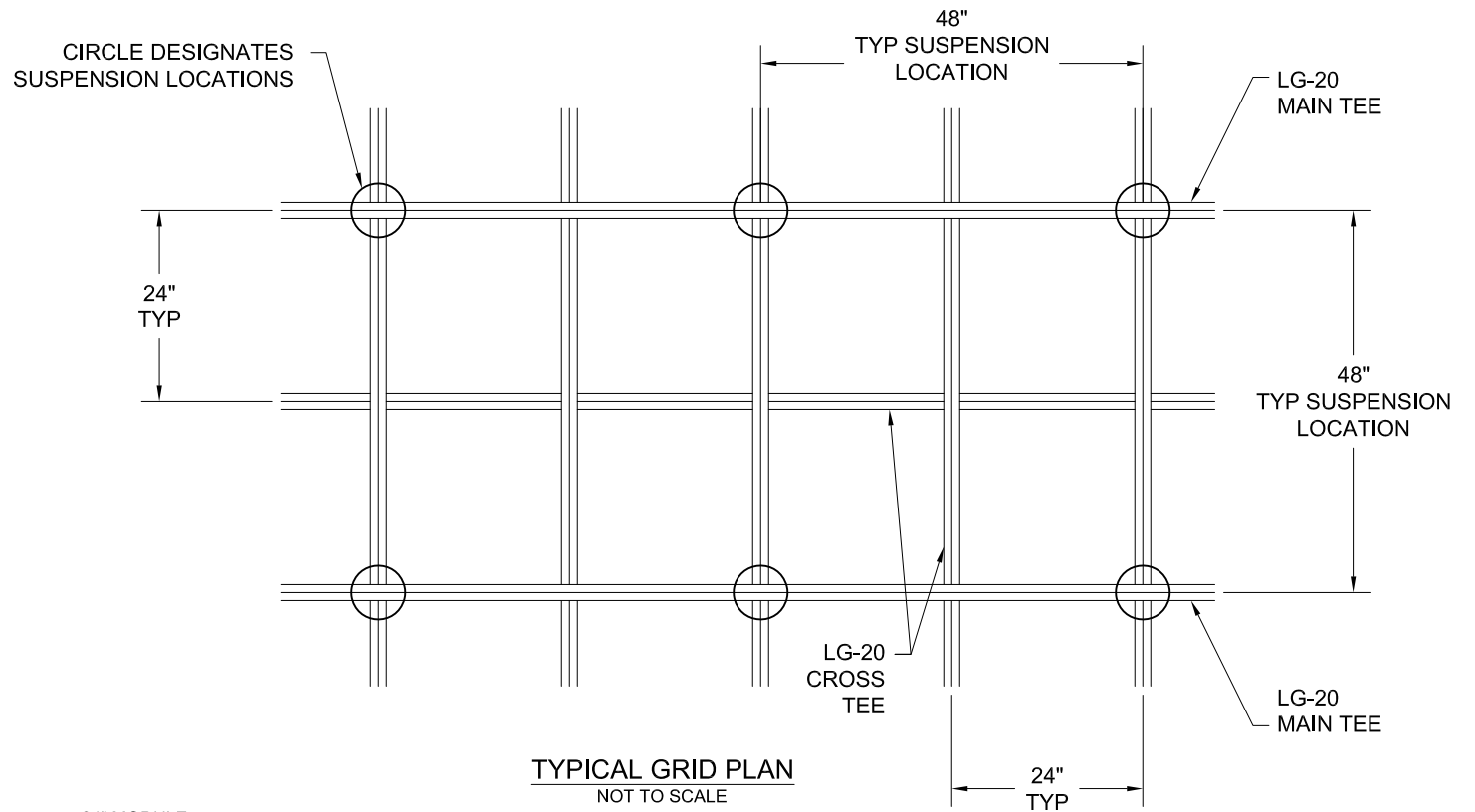
FACTORY APPLIED
GASKET



GORDON®
ARCHITECTURAL+ENGINEERED SOLUTIONS

5023 Hazel Jones Rd.
Bossier City, LA 71111
800.747.8954
GORDON-INC.COM
sales@gordon-inc.com

CLEANROOM CEILINGS
SUSPENSION-WIRE HUNG-LG-20
MAIN / CROSS TEE

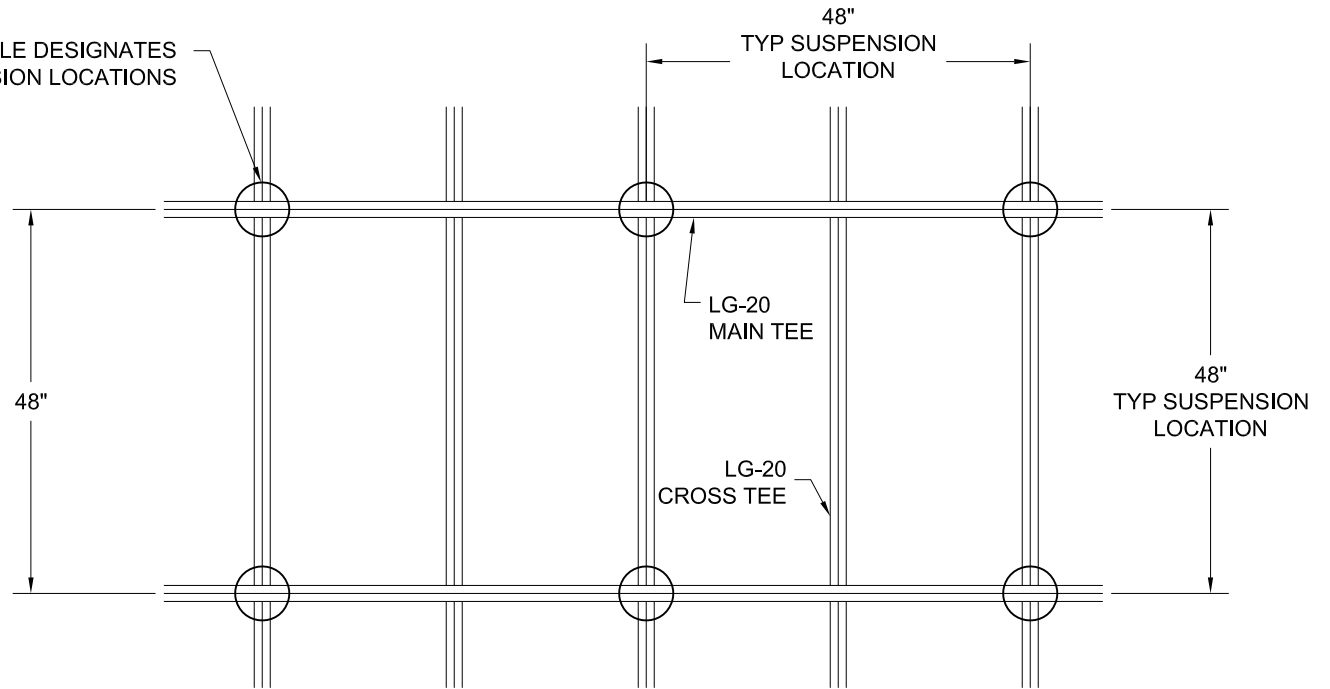


GORDON®
ARCHITECTURAL+ENGINEERED SOLUTIONS

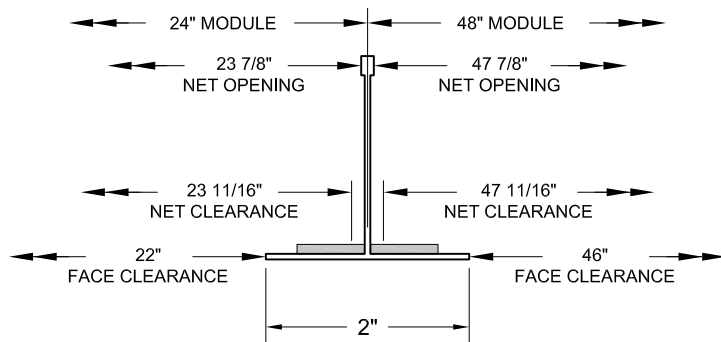
5023 Hazel Jones Rd.
Bossier City, LA 71111
800.747.8954
GORDON-INC.COM
sales@gordon-inc.com

CLEANROOM CEILINGS SUSPENSION-WIRE HUNG-LG-20 24" / 24" GRID PLAN

CIRCLE DESIGNATES
SUSPENSION
LOCATIONS



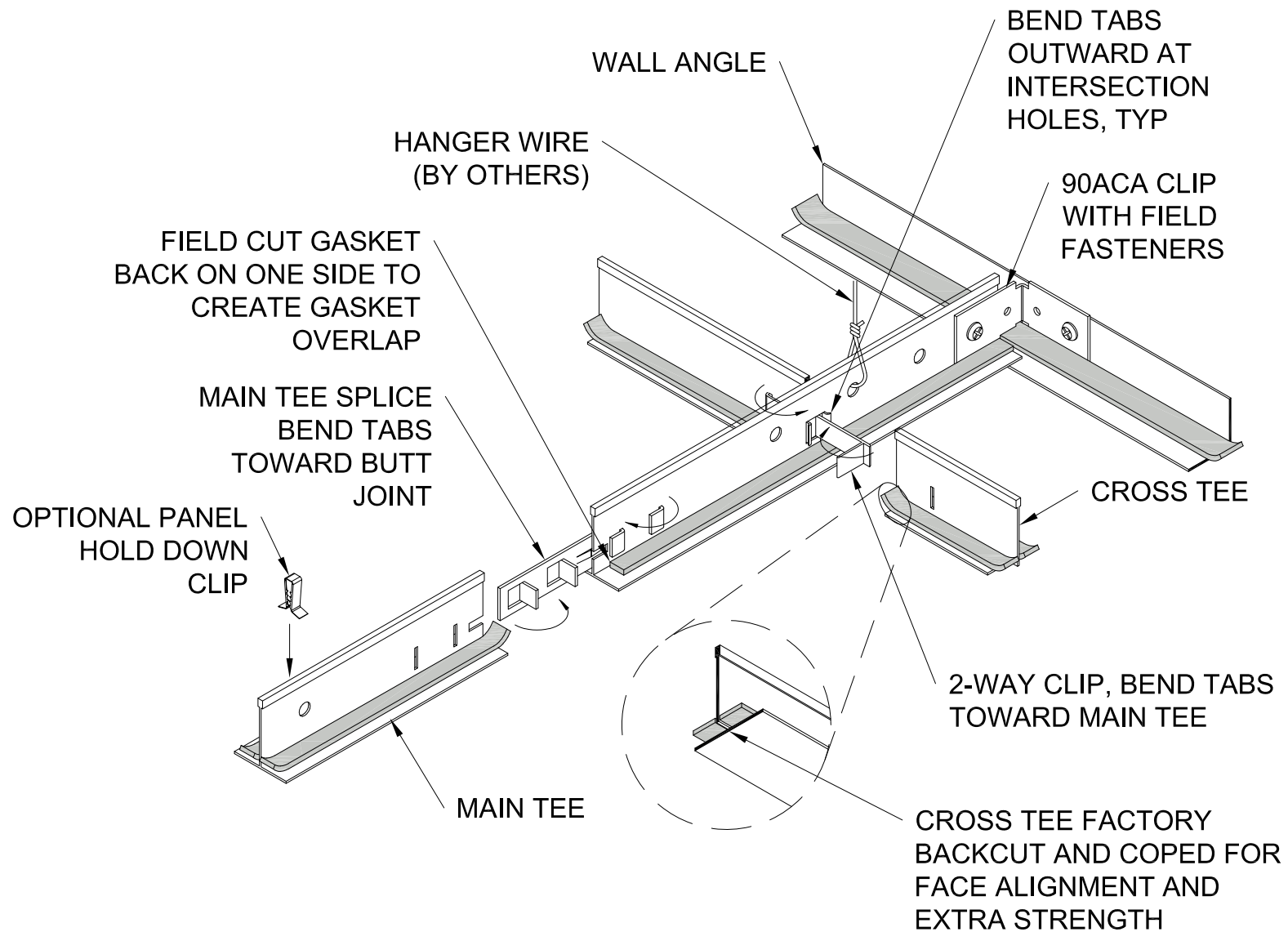
TYPICAL GRID PLAN
NOT TO SCALE



GORDON®
ARCHITECTURAL+ENGINEERED SOLUTIONS

5023 Hazel Jones Rd.
Bossier City, LA 71111
800.747.8954
GORDON-INC.COM
sales@gordon-inc.com

CLEANROOM CEILINGS SUSPENSION-WIRE HUNG-LG-20 24" / 48" GRID PLAN



GORDON®
ARCHITECTURAL+ENGINEERED SOLUTIONS

5023 Hazel Jones Rd.
Bossier City, LA 71111
800.747.8954
GORDON-INC.COM
sales@gordon-inc.com

**CLEANROOM CEILINGS
SUSPENSION-WIRE HUNG-LG-20
ISOMETRIC ASSEMBLY**