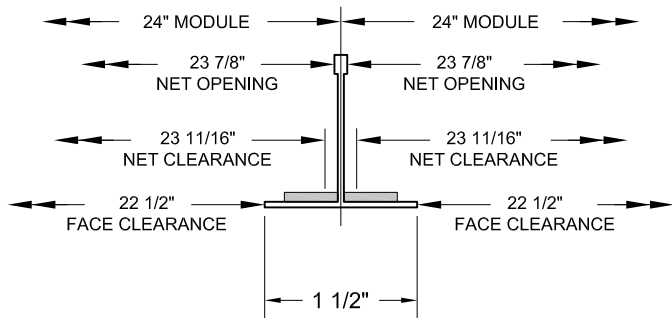
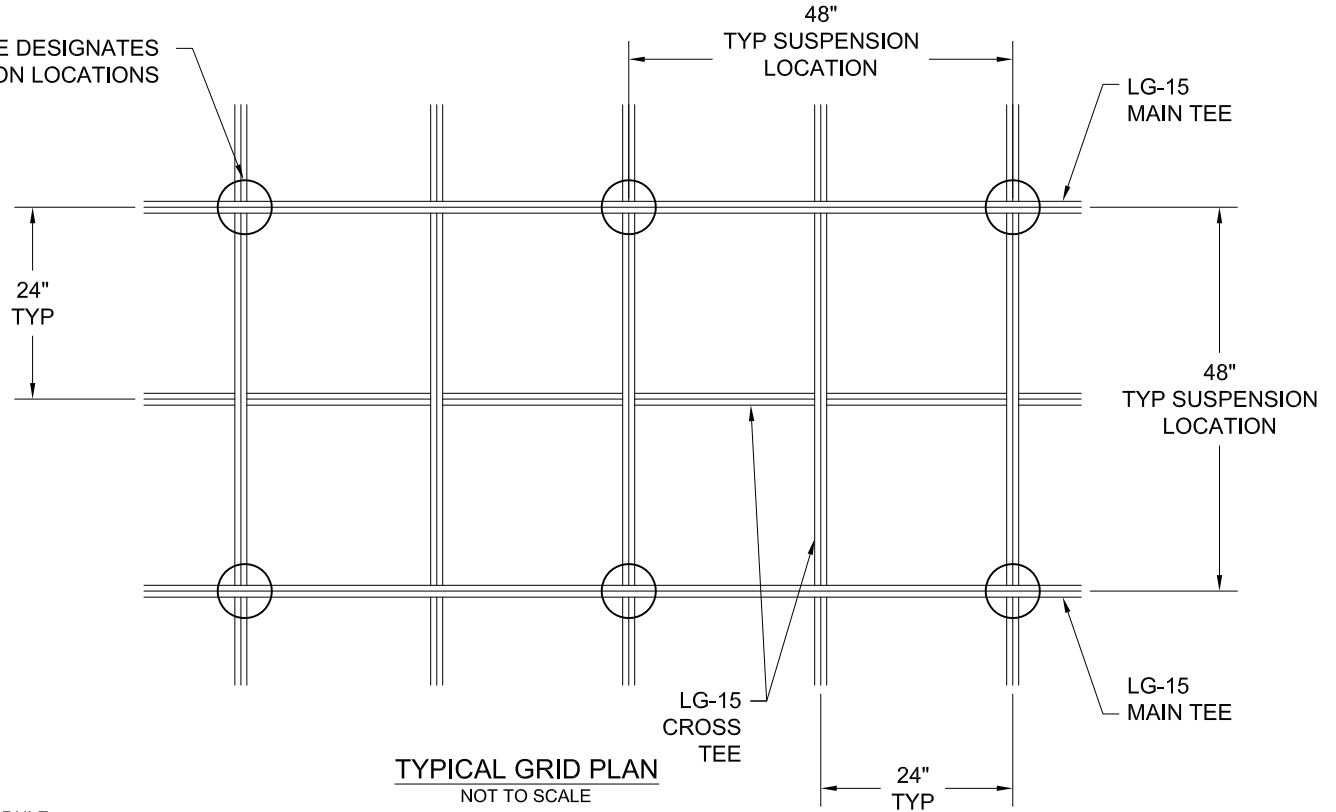


**GORDON**®  
ARCHITECTURAL+ENGINEERED SOLUTIONS

5023 Hazel Jones Rd.  
Bossier City, LA 71111  
800.747.8954  
GORDON-INC.COM  
sales@gordon-inc.com

CLEANROOM CEILINGS  
SUSPENSION-WIRE HUNG-LG-15  
MAIN / CROSS TEE

CIRCLE DESIGNATES  
SUSPENSION  
LOCATIONS

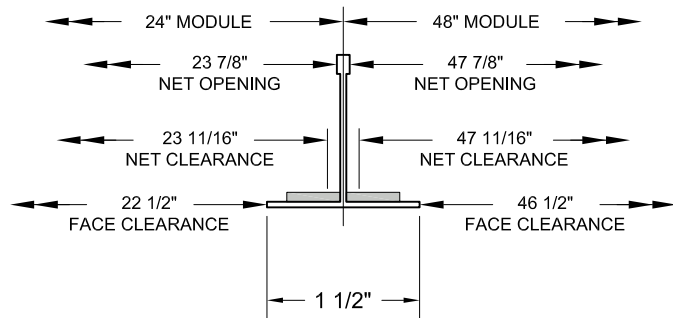
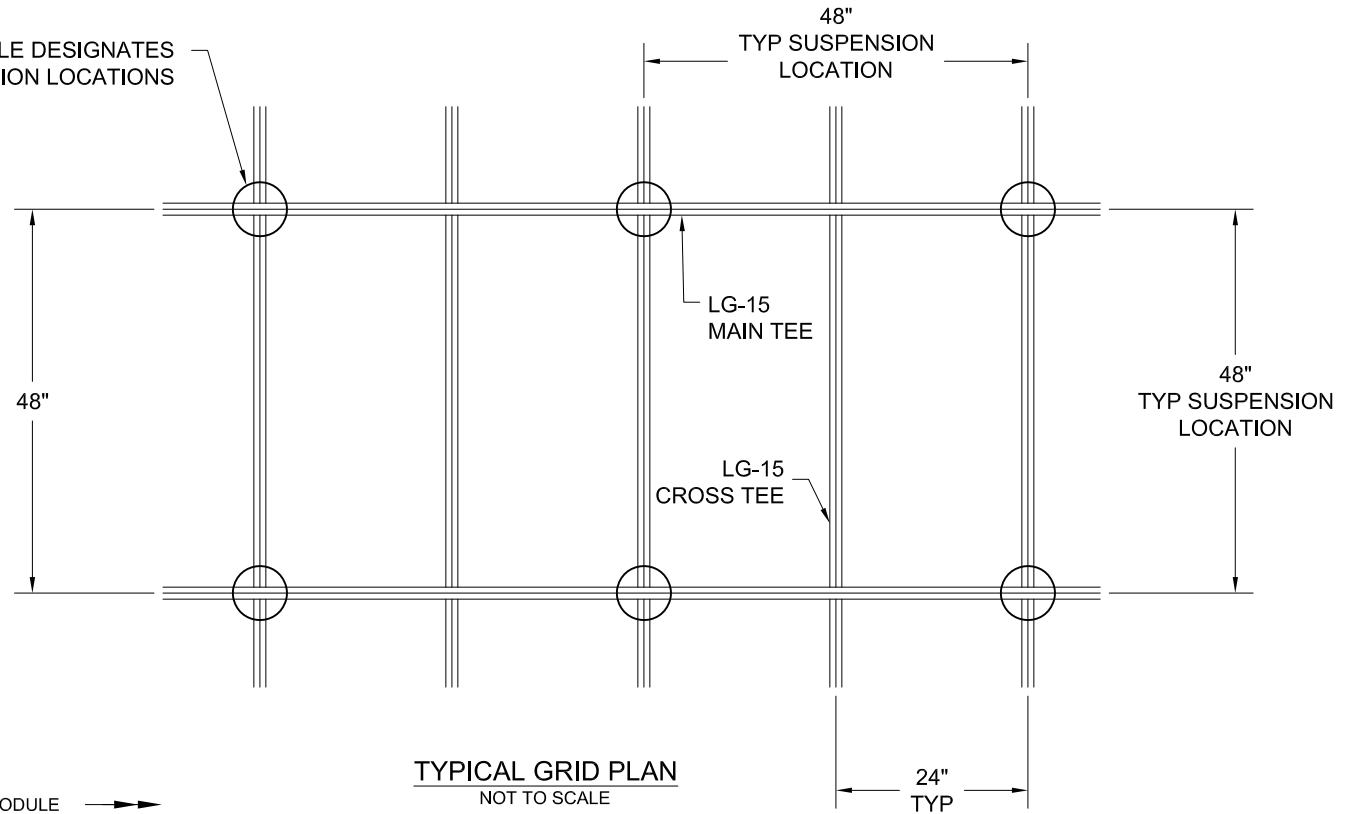


**GORDON**  
ARCHITECTURAL+ENGINEERED SOLUTIONS

© 5023 Hazel Jones Rd.  
Bossier City, LA 71111  
800.747.8954  
GORDON-INC.COM  
sales@gordon-inc.com

# CLEANROOM CEILINGS SUSPENSION-WIRE HUNG-LG-15 24" / 24" GRID PLAN

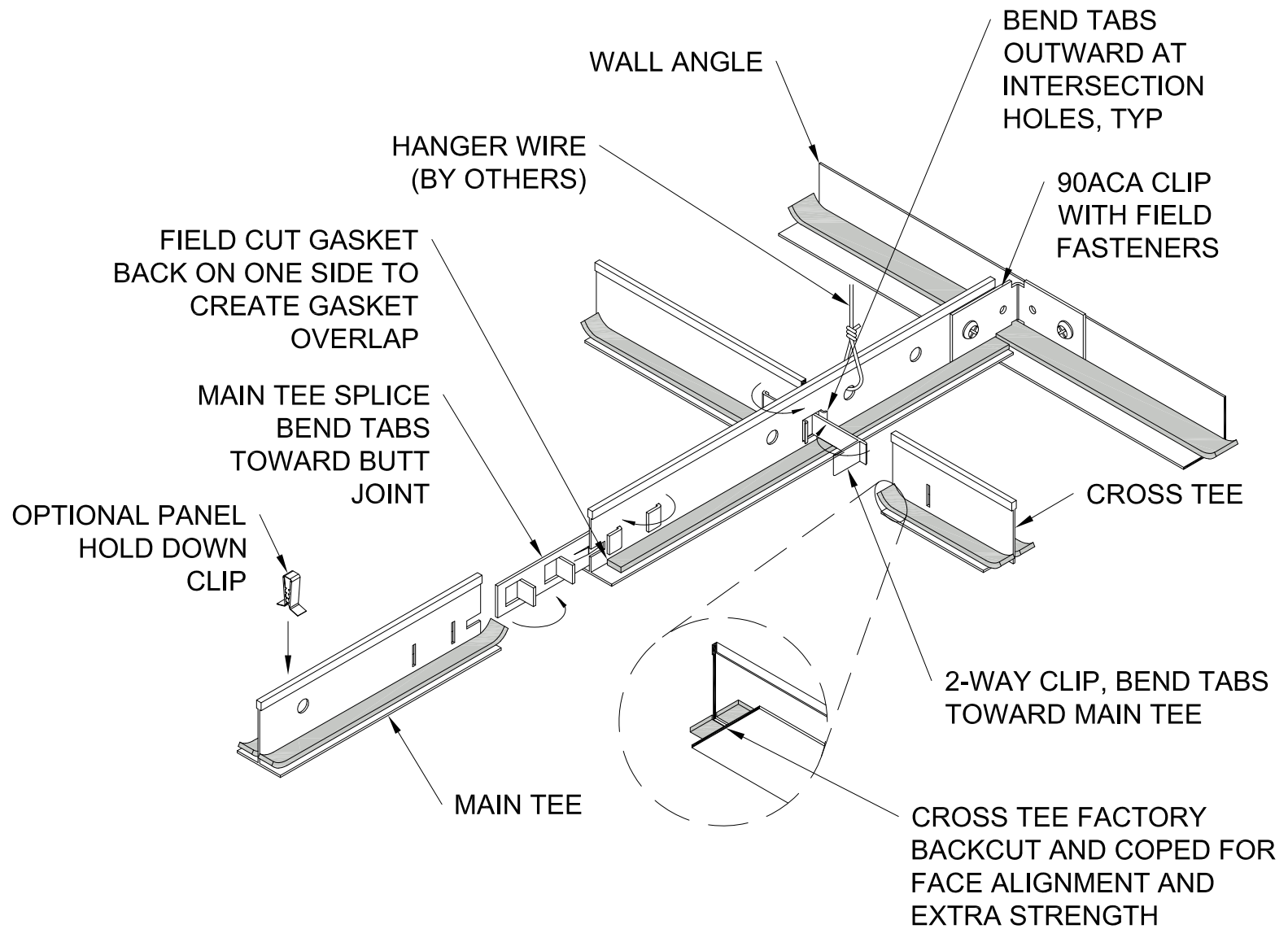
CIRCLE DESIGNATES  
SUSPENSION  
LOCATIONS



**GORDON**  
ARCHITECTURAL+ENGINEERED SOLUTIONS

© 5023 Hazel Jones Rd.  
Bossier City, LA 71111  
800.747.8954  
GORDON-INC.COM  
sales@gordon-inc.com

## CLEANROOM CEILINGS SUSPENSION-WIRE HUNG-LG-15 24" / 48" GRID PLAN



**GORDON**®  
ARCHITECTURAL+ENGINEERED SOLUTIONS

5023 Hazel Jones Rd.  
Bossier City, LA 71111  
800.747.8954  
GORDON-INC.COM  
sales@gordon-inc.com

**CLEANROOM CEILINGS  
SUSPENSION-WIRE HUNG-LG-15  
ISOMETRIC ASSEMBLY**