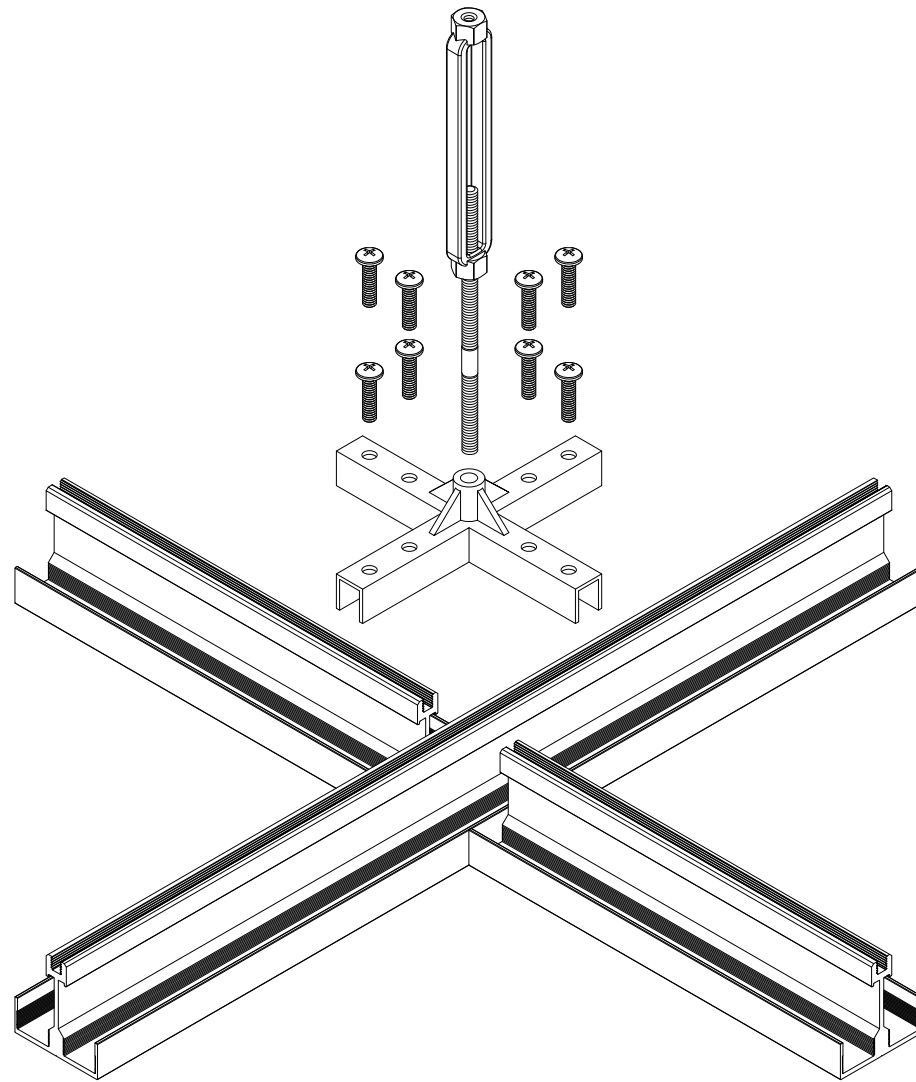


GORDON®
ARCHITECTURAL+ENGINEERED SOLUTIONS

5023 Hazel Jones Rd.
Bossier City, LA 71111
800.747.8954
GORDON-INC.COM
sales@gordon-inc.com

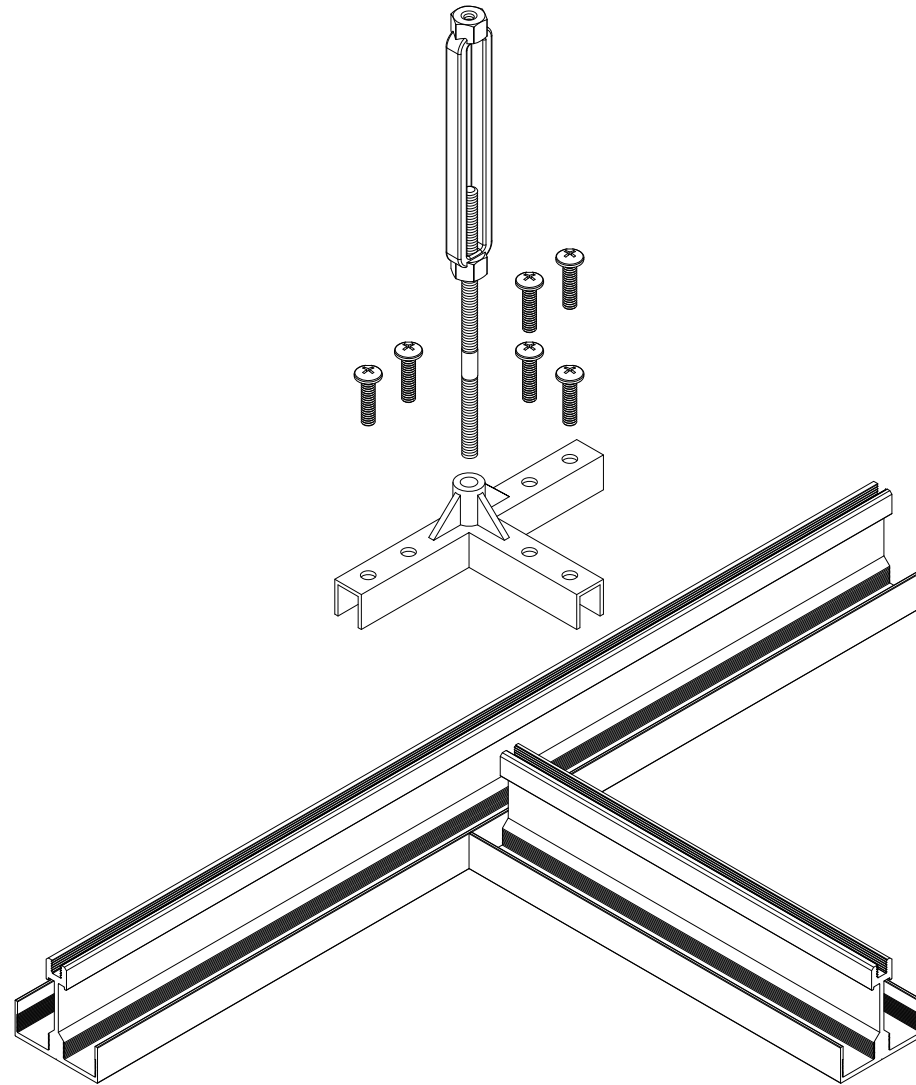
CLEANROOM CEILINGS
SUSPENSION - GEL SEAL - WS-38
GRID ISOMETRIC



GORDON®
ARCHITECTURAL+ENGINEERED SOLUTIONS

5023 Hazel Jones Rd.
Bossier City, LA 71111
800.747.8954
GORDON-INC.COM
sales@gordon-inc.com

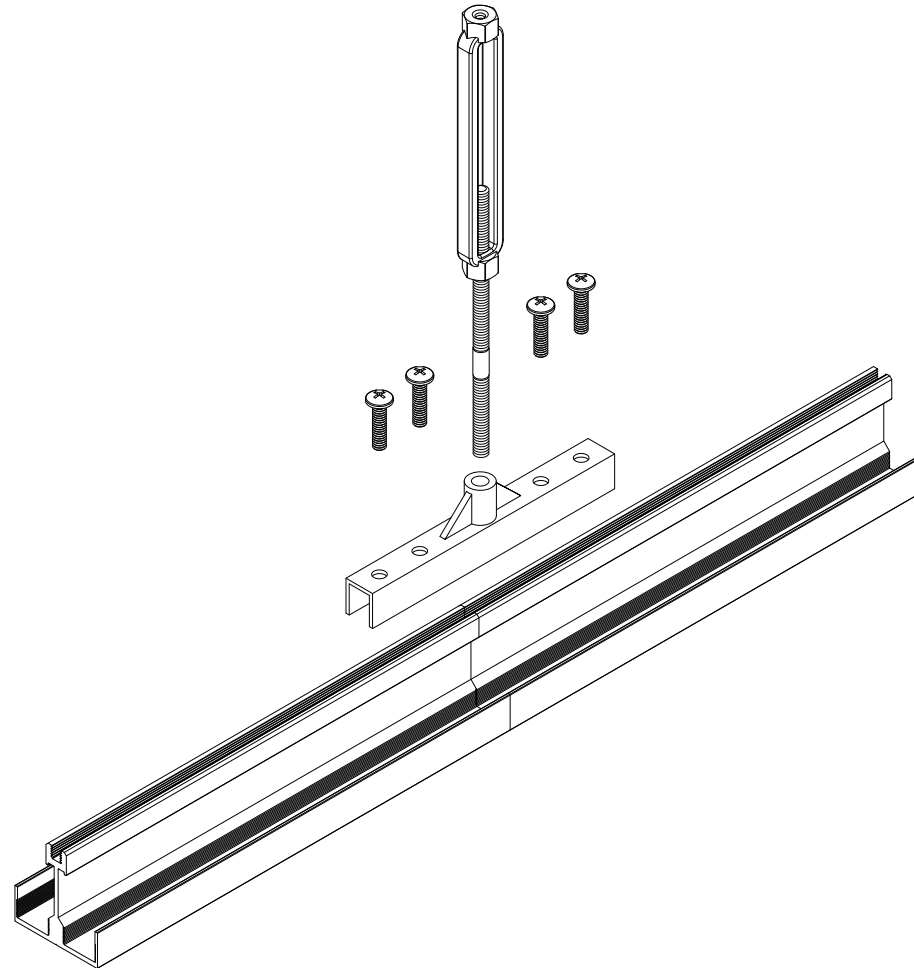
CLEANROOM CEILINGS
SUSPENSION - GEL SEAL - WS-38
4-WAY CONNECTOR



GORDON®
ARCHITECTURAL+ENGINEERED SOLUTIONS

5023 Hazel Jones Rd.
Bossier City, LA 71111
800.747.8954
GORDON-INC.COM
sales@gordon-inc.com

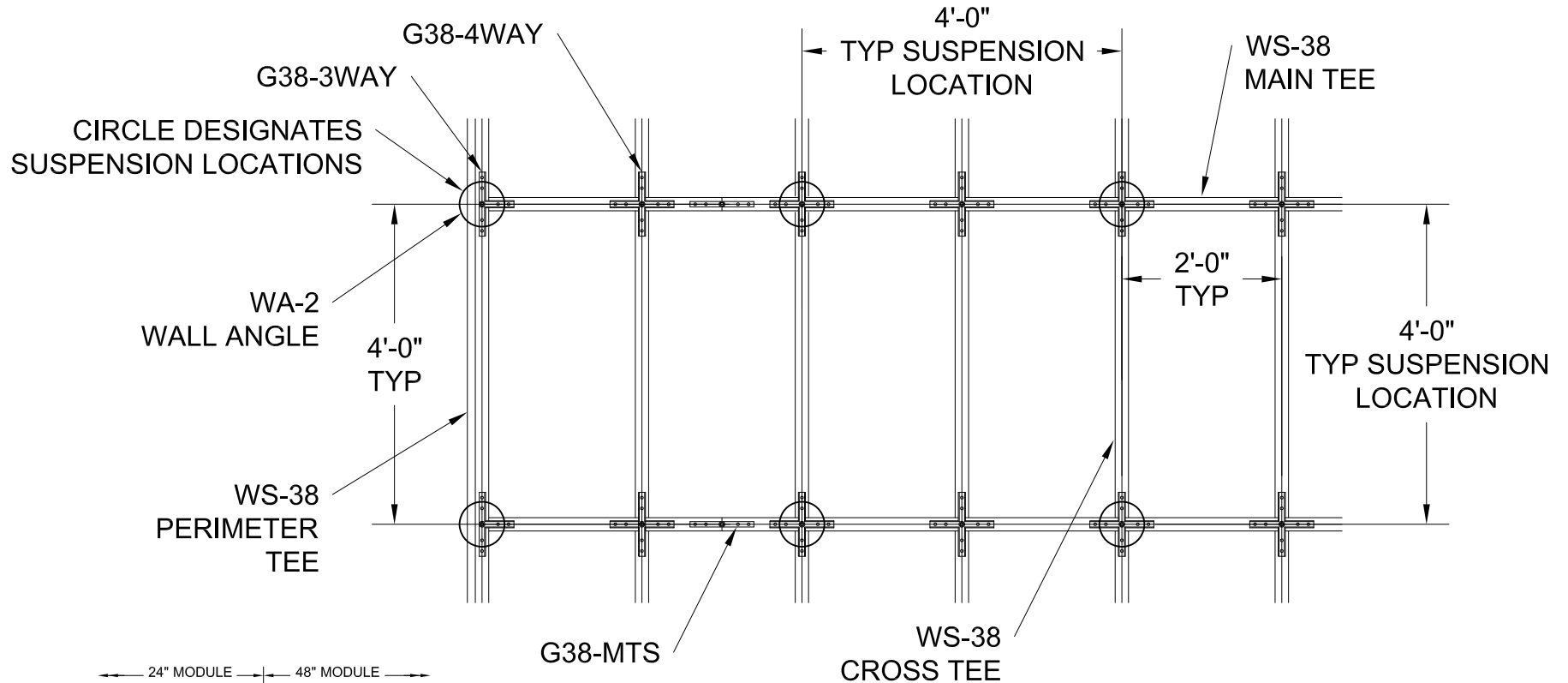
CLEANROOM CEILINGS
SUSPENSION - GEL SEAL - WS-38
3-WAY CONNECTOR



GORDON®
ARCHITECTURAL+ENGINEERED SOLUTIONS

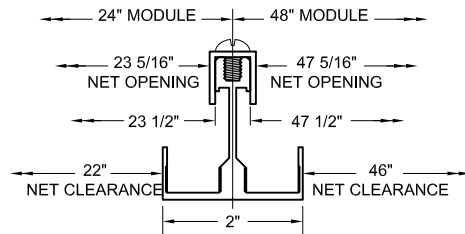
5023 Hazel Jones Rd.
Bossier City, LA 71111
800.747.8954
GORDON-INC.COM
sales@gordon-inc.com

CLEANROOM CEILINGS
SUSPENSION - GEL SEAL - WS-38
MTS CONNECTOR



TYPICAL GRID PLAN

CONTACT GORDON CLEANROOM PRODUCTS DIVISION
FOR INFORMATION ON PANEL OPTIONS SIZED TO FIT THIS GRID MODULE

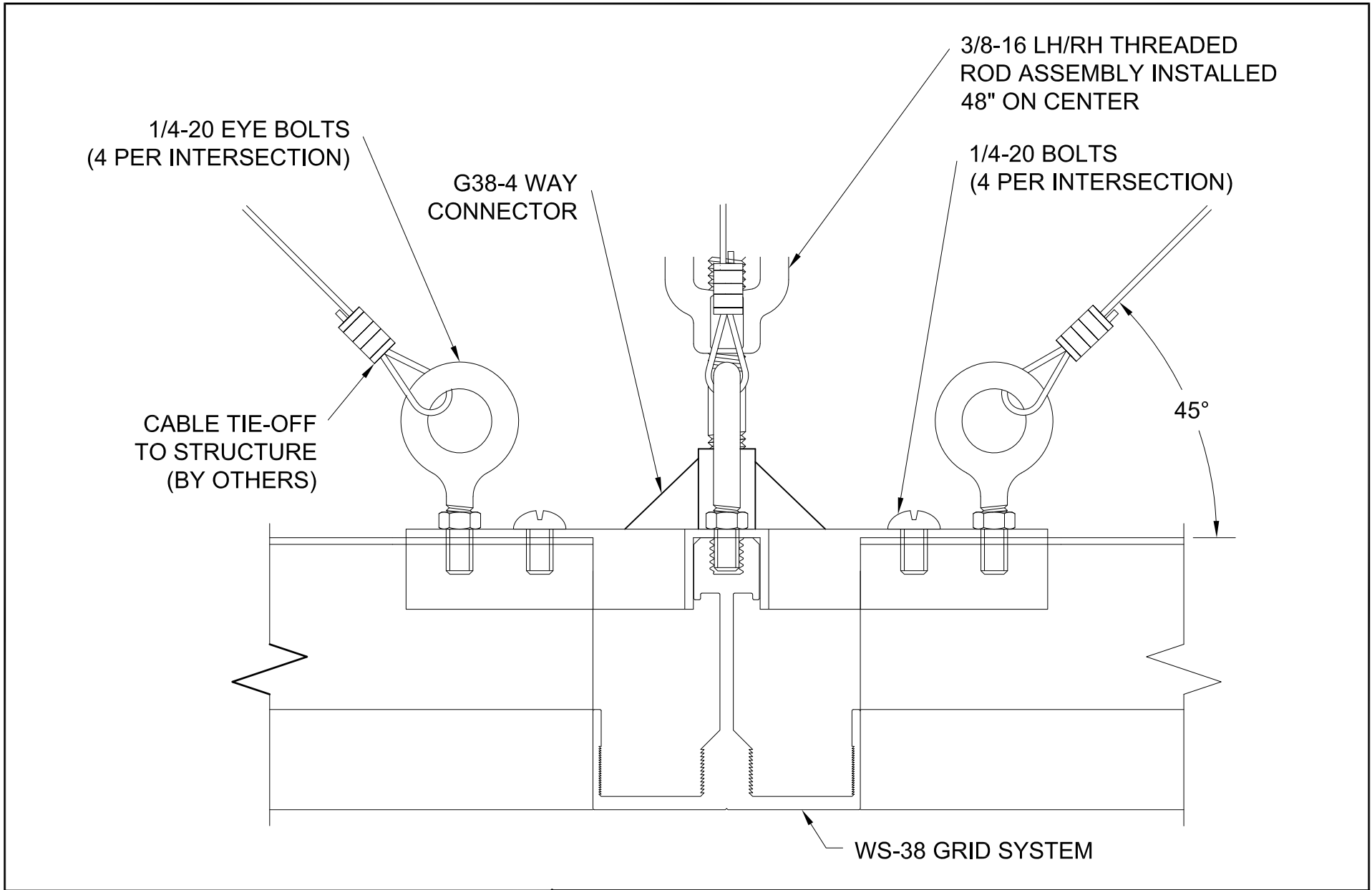


MODULE SIZING (NOT TO SCALE)
FILTERS/FIXTURES DIMENSIONS
ARE TYPICALLY MODULE SIZE LESS 7/8" (MAXIMUM O.D.)

GORDON®
ARCHITECTURAL+ENGINEERED SOLUTIONS

5023 Hazel Jones Rd.
Bossier City, LA 71111
800.747.8954
GORDON-INC.COM
sales@gordon-inc.com

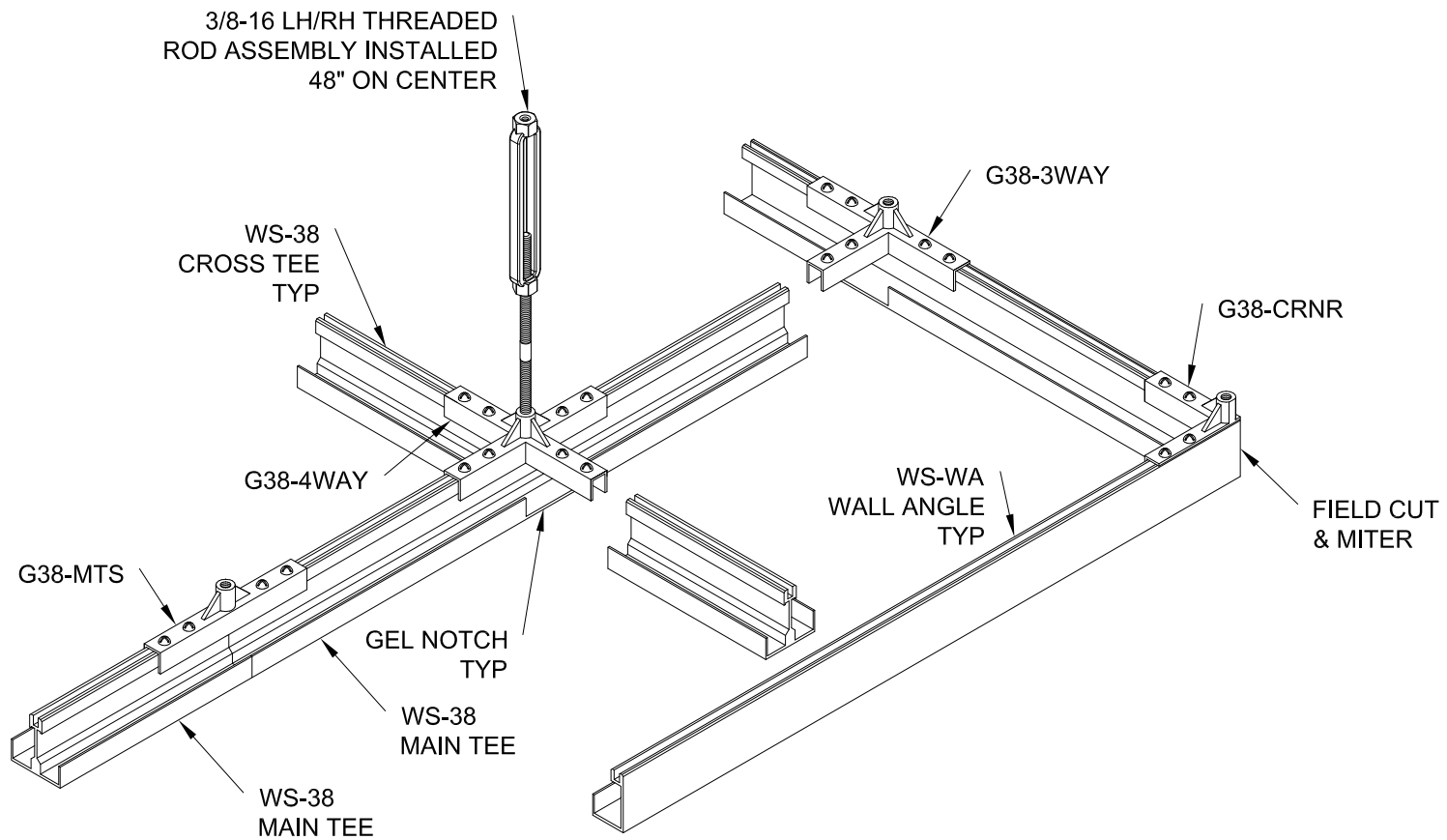
CLEANROOM CEILINGS
SUSPENSION - GEL SEAL - WS-38
24" / 48" GRID PLAN



GORDON®
ARCHITECTURAL+ENGINEERED SOLUTIONS

5023 Hazel Jones Rd.
Bossier City, LA 71111
800.747.8954
GORDON-INC.COM
sales@gordon-inc.com

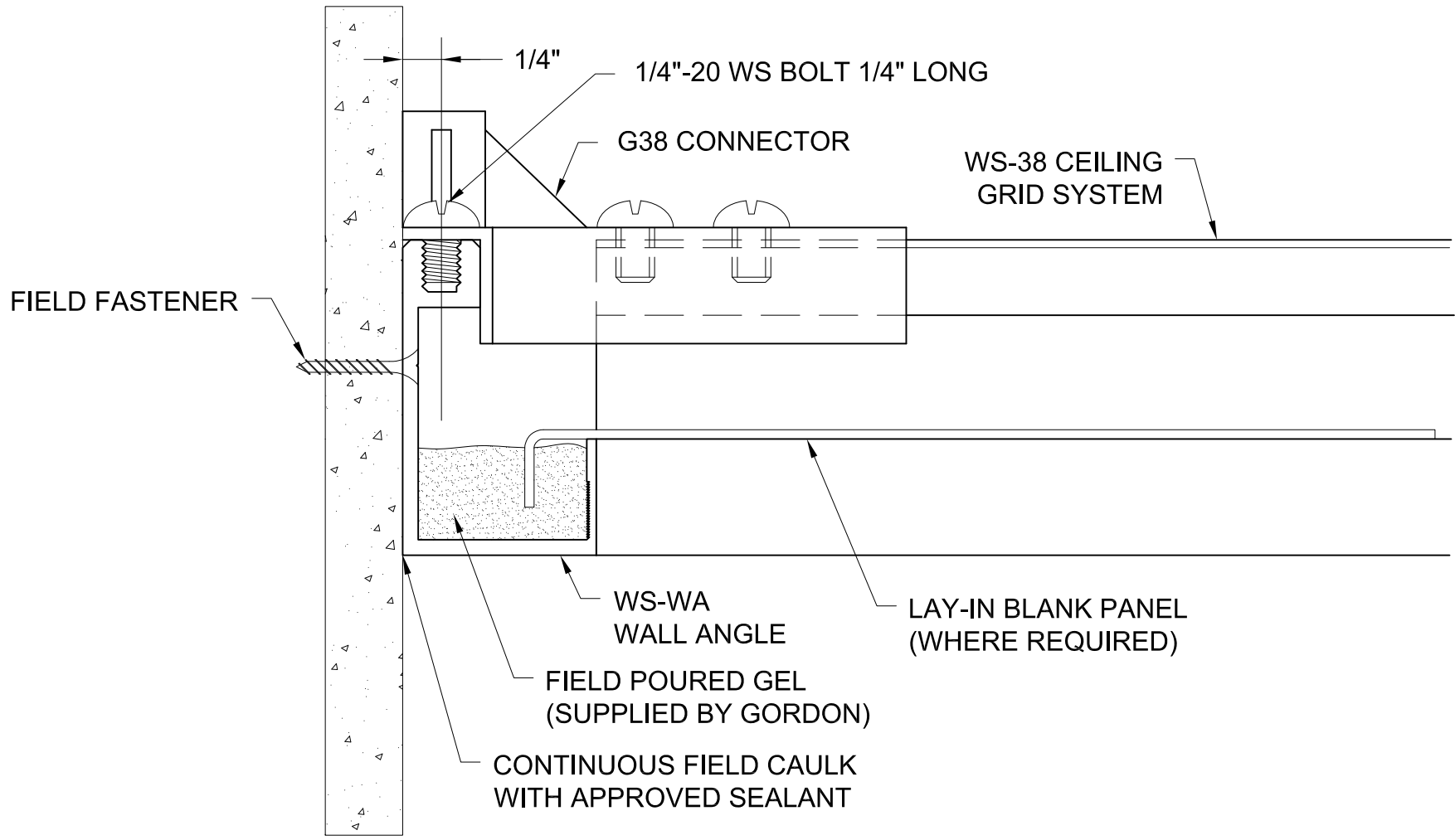
**CLEANROOM CEILINGS
SUSPENSION - GEL SEAL - WS-38
SEISMIC DETAIL**



GORDON[®]
ARCHITECTURAL+ENGINEERED SOLUTIONS

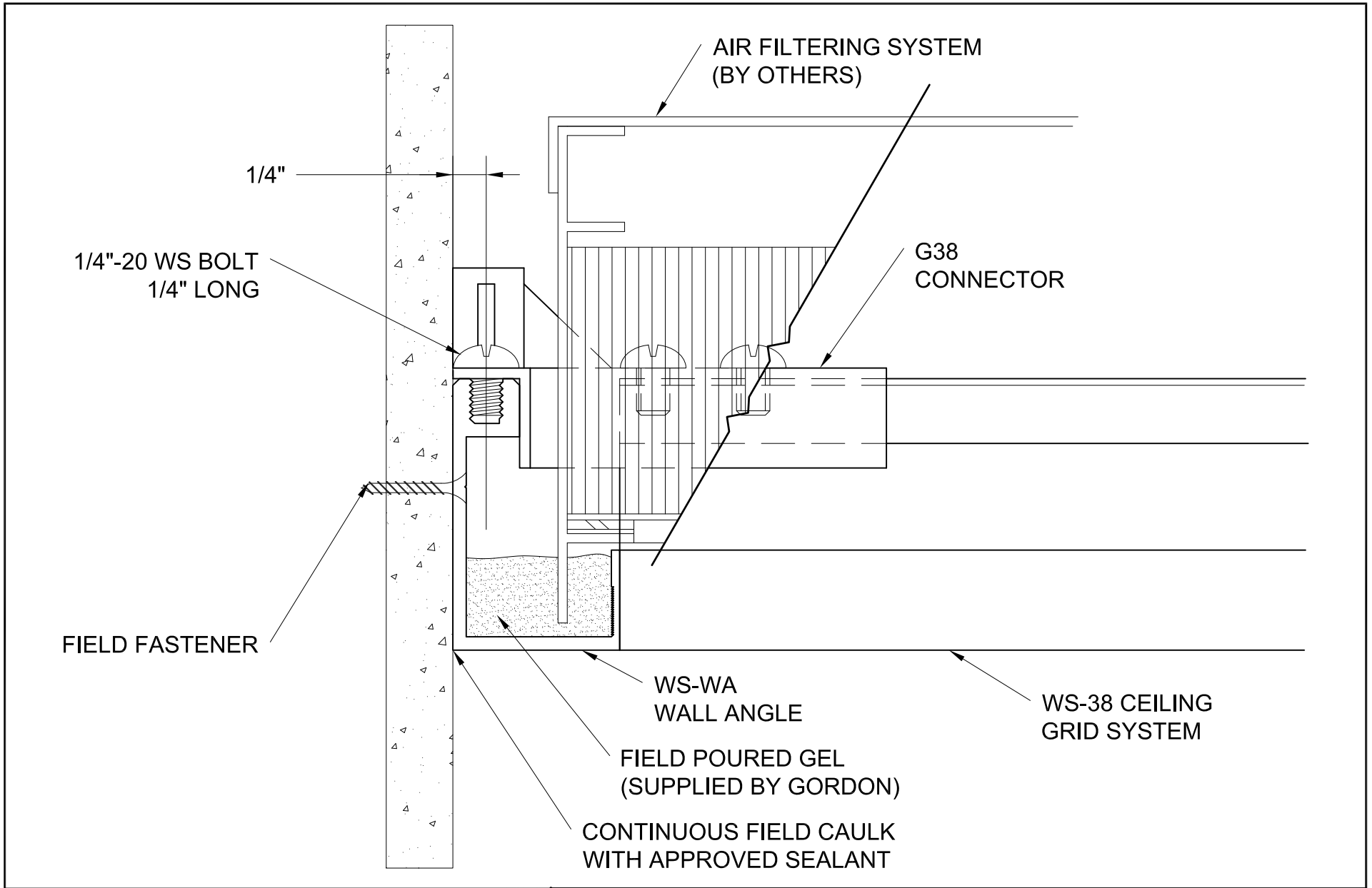
5023 Hazel Jones Rd.
Bossier City, LA 71111
800.747.8954
GORDON-INC.COM
sales@gordon-inc.com

CLEANROOM CEILINGS
SUSPENSION - GEL SEAL - WS-38
FIXED PERIMETER ISOMETRIC



GORDON® ARCHITECTURAL+ENGINEERED SOLUTIONS
 5023 Hazel Jones Rd.
 Bossier City, LA 71111
 800.747.8954
 GORDON-INC.COM
 sales@gordon-inc.com

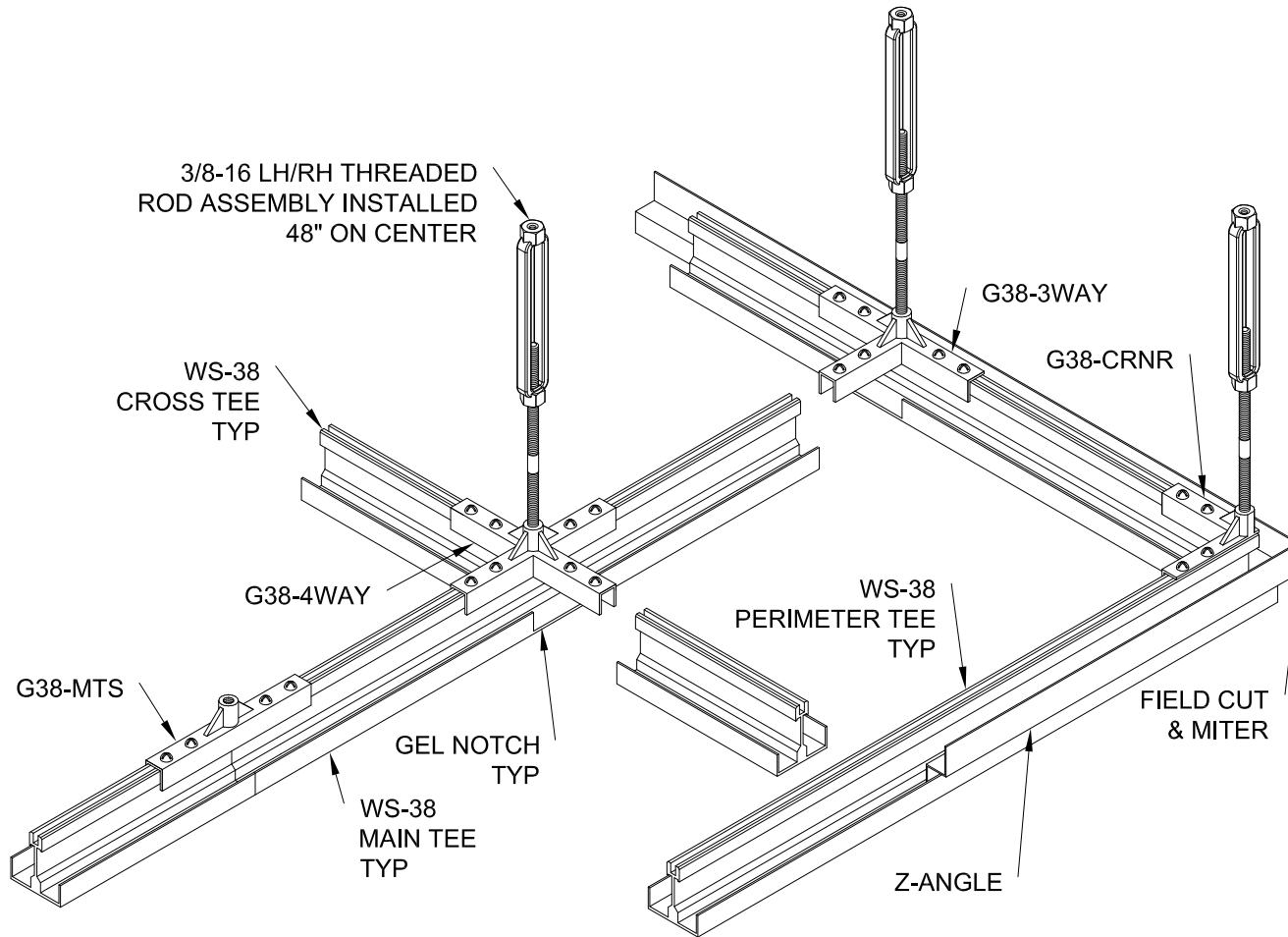
**CLEANROOM CEILINGS
 SUSPENSION - GEL SEAL - WS-38
 FIXED PERIMETER WITH BLANK PANEL**



GORDON®
ARCHITECTURAL+ENGINEERED SOLUTIONS

5023 Hazel Jones Rd.
Bossier City, LA 71111
800.747.8954
GORDON-INC.COM
sales@gordon-inc.com

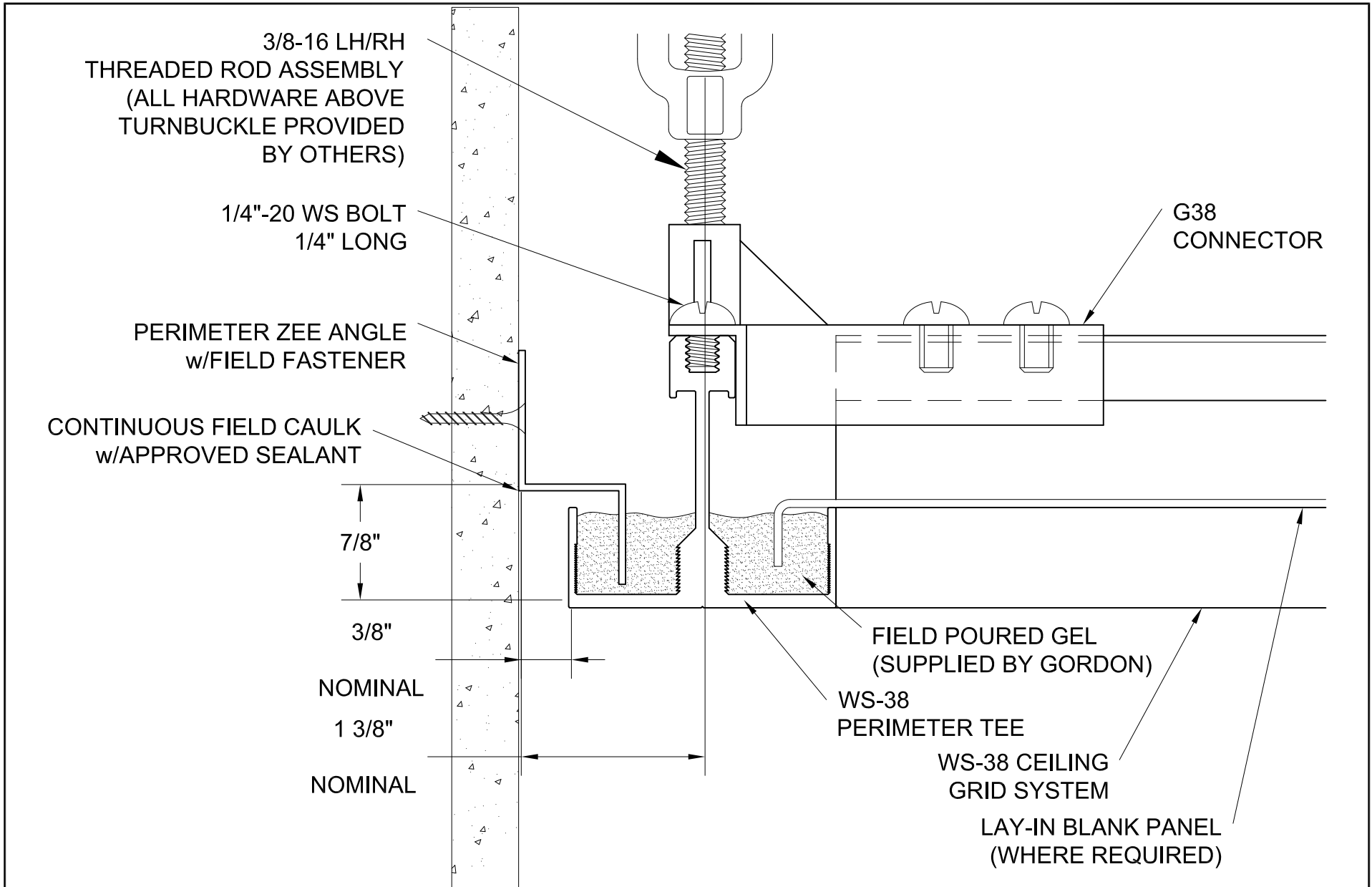
**CLEANROOM CEILINGS
SUSPENSION - GEL SEAL - WS-38
FIXED PERIMETER WITH FILTER**



GORDON®
ARCHITECTURAL+ENGINEERED SOLUTIONS

5023 Hazel Jones Rd.
Bossier City, LA 71111
800.747.8954
GORDON-INC.COM
sales@gordon-inc.com

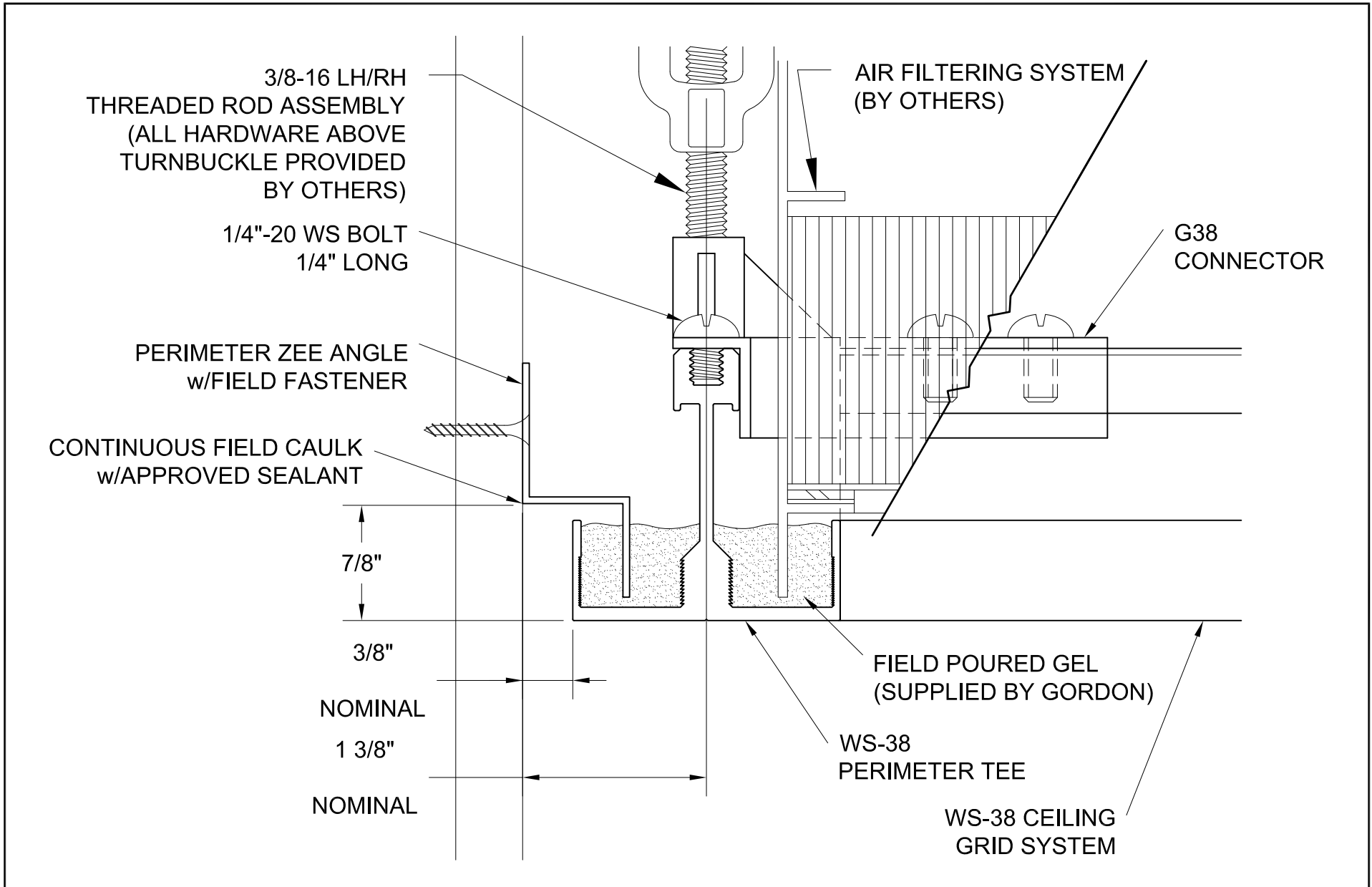
**CLEANROOM CEILINGS
SUSPENSION - GEL SEAL - WS-38
FLOATING PERIMETER ISOMETRIC**



GORDON®
ARCHITECTURAL+ENGINEERED SOLUTIONS

5023 Hazel Jones Rd.
Bossier City, LA 71111
800.747.8954
GORDON-INC.COM
sales@gordon-inc.com

**CLEANROOM CEILINGS
SUSPENSION - GEL SEAL - WS-38
FLOATING PERIMETER WITH BLANK PANEL**

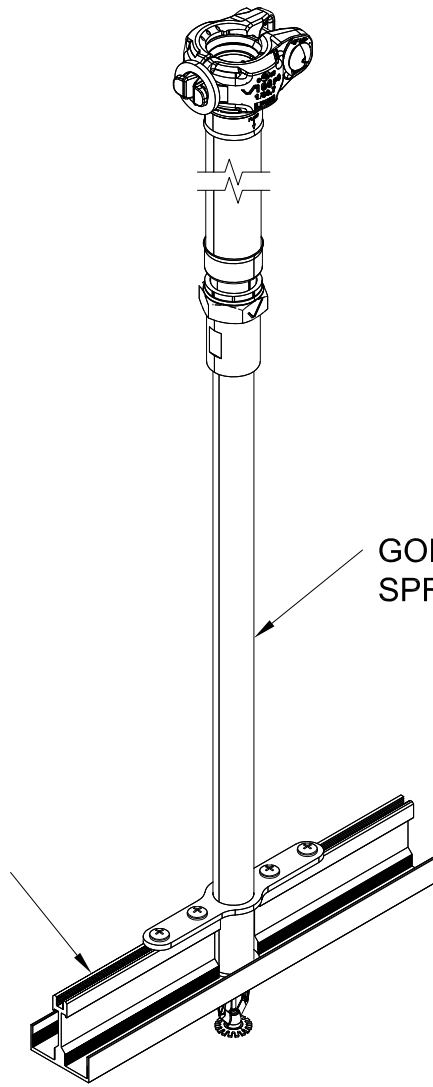


GORDON®
ARCHITECTURAL+ENGINEERED SOLUTIONS

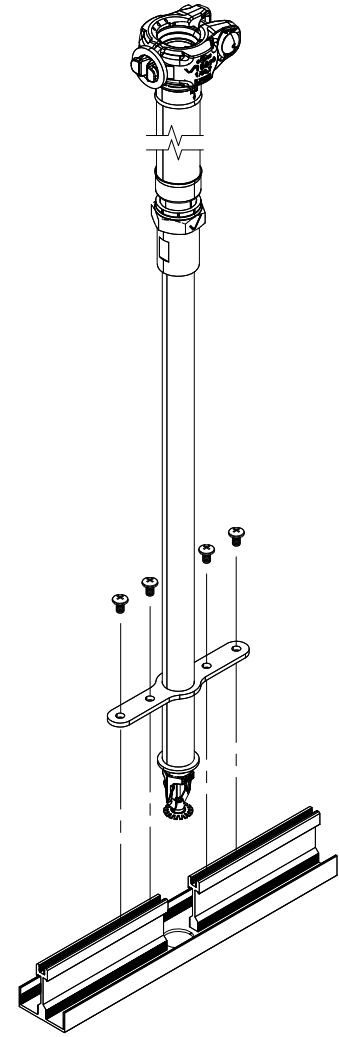
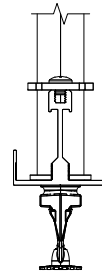
5023 Hazel Jones Rd.
Bossier City, LA 71111
800.747.8954
GORDON-INC.COM
sales@gordon-inc.com

**CLEANROOM CEILINGS
SUSPENSION - GEL SEAL - WS-38
FLOATING PERIMETER WITH FILTER**

FACTORY DRILLED TEE



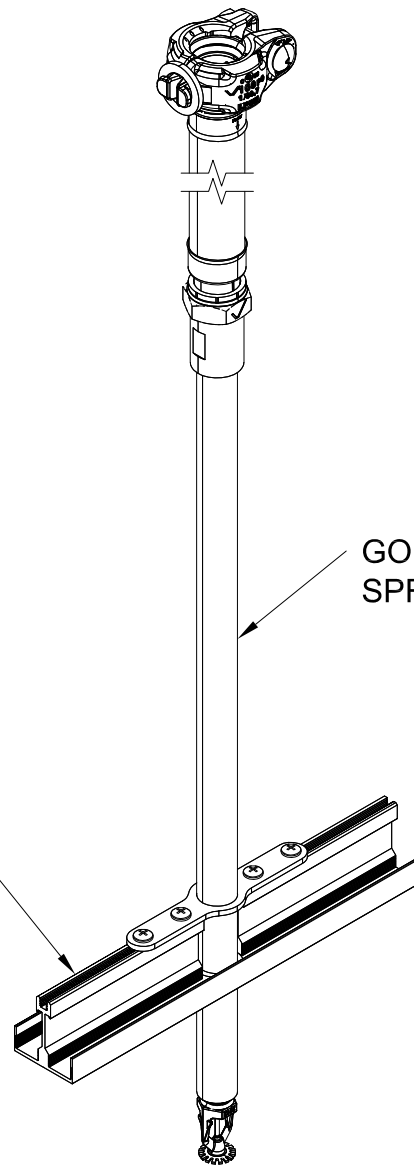
GORDON FLEXIBLE
SPRINKLER ASSEMBLY



GORDON®
ARCHITECTURAL+ENGINEERED SOLUTIONS

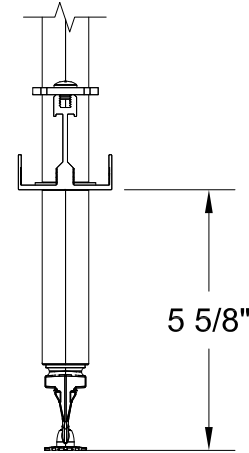
5023 Hazel Jones Rd.
Bossier City, LA 71111
800.747.8954
GORDON-INC.COM
sales@gordon-inc.com

CLEANROOM CEILINGS
SUSPENSION - GEL SEAL - WS-38
FLUSH SPRINKLER ASSEMBLY

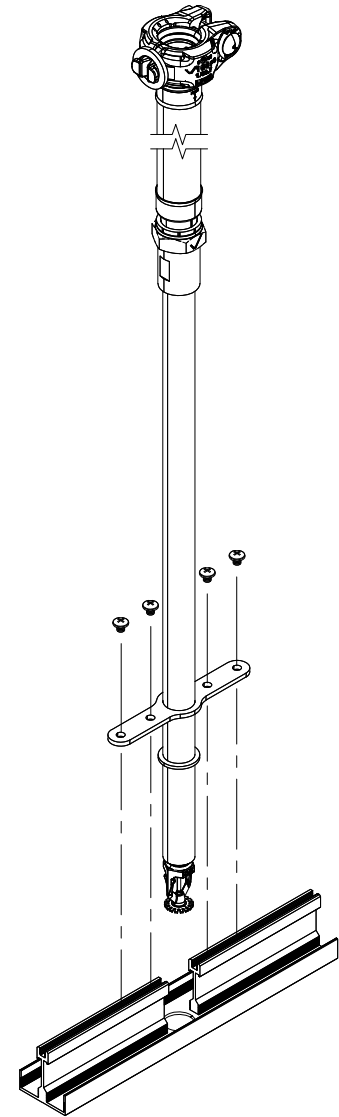


FACTORY DRILLED TEE

GORDON FLEXIBLE
SPRINKLER ASSEMBLY



5 5/8"



GORDON®
ARCHITECTURAL+ENGINEERED SOLUTIONS

5023 Hazel Jones Rd.
Bossier City, LA 71111
800.747.8954
GORDON-INC.COM
sales@gordon-inc.com

CLEANROOM CEILINGS
SUSPENSION - GEL SEAL - WS-38
EXTENDED SPRINKLER ASSEMBLY