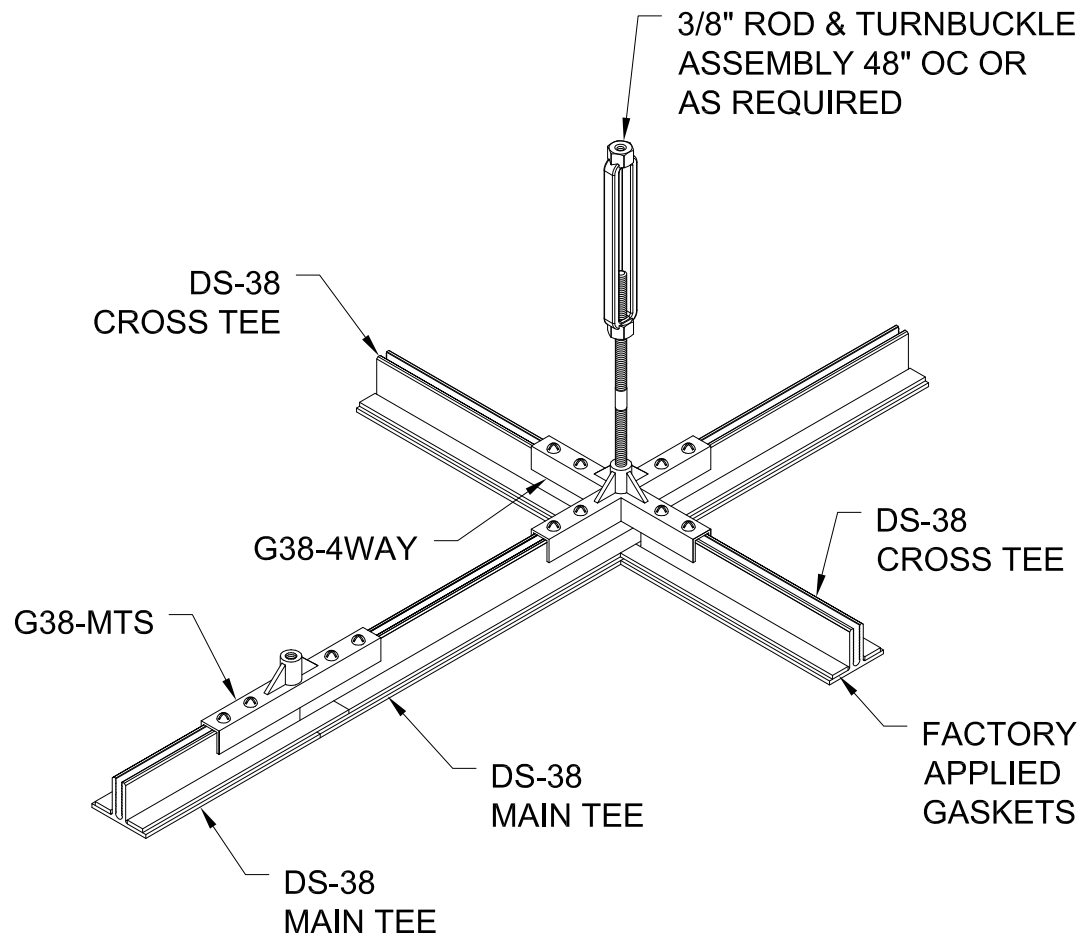
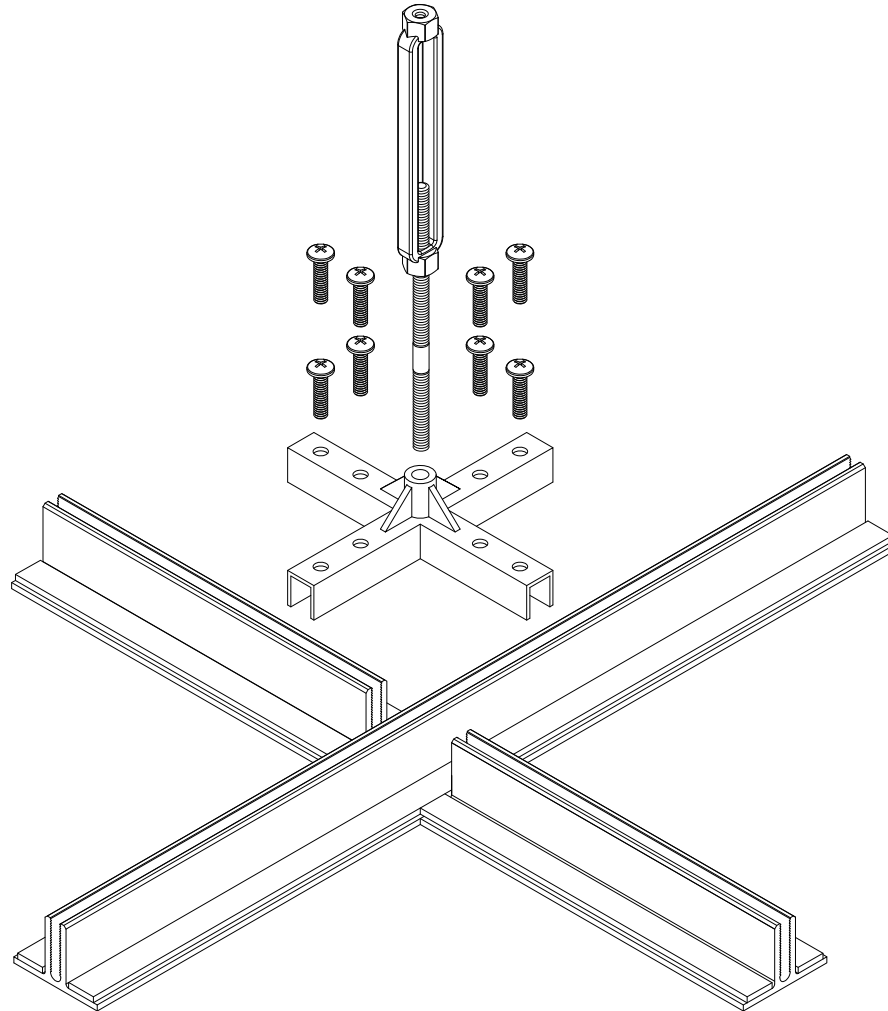


**GORDON**®  
ARCHITECTURAL+ENGINEERED SOLUTIONS

5023 Hazel Jones Rd.  
Bossier City, LA 71111  
800.747.8954  
GORDON-INC.COM  
sales@gordon-inc.com

CLEANROOM CEILINGS  
SUSPENSION-GASKET SEAL-DS-38  
MAIN / CROSS TEE

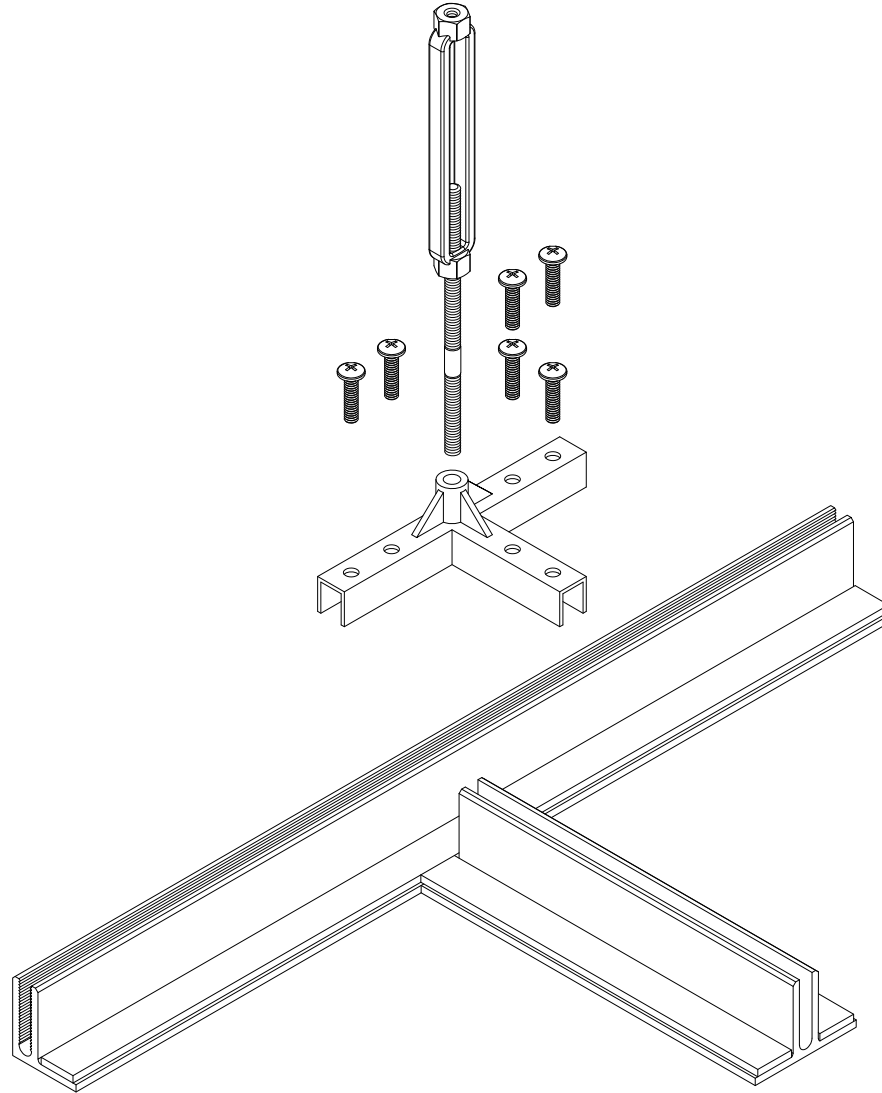




**GORDON**®  
ARCHITECTURAL+ENGINEERED SOLUTIONS

5023 Hazel Jones Rd.  
Bossier City, LA 71111  
800.747.8954  
GORDON-INC.COM  
sales@gordon-inc.com

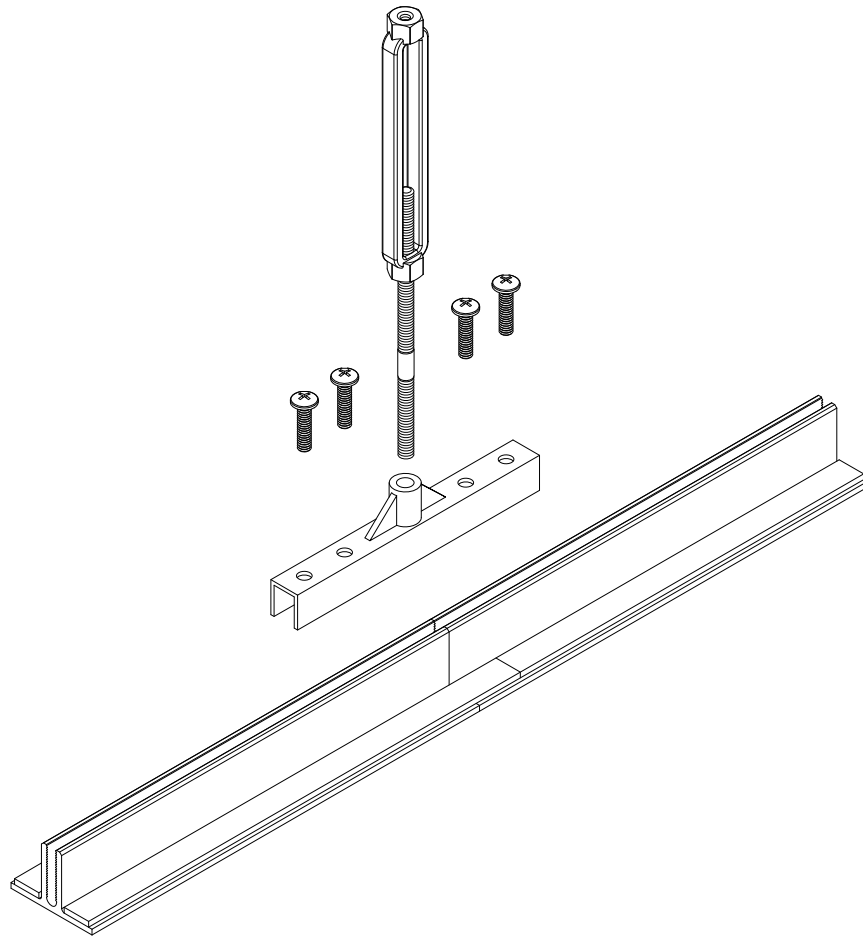
CLEANROOM CEILINGS  
SUSPENSION-GASKET SEAL-DS-38  
4-WAY CONNECTOR



**GORDON**®  
ARCHITECTURAL+ENGINEERED SOLUTIONS

5023 Hazel Jones Rd.  
Bossier City, LA 71111  
800.747.8954  
GORDON-INC.COM  
sales@gordon-inc.com

CLEANROOM CEILINGS  
SUSPENSION-GASKET SEAL-DS-38  
3-WAY CONNECTOR



**GORDON**®  
ARCHITECTURAL+ENGINEERED SOLUTIONS

5023 Hazel Jones Rd.  
Bossier City, LA 71111  
800.747.8954  
GORDON-INC.COM  
sales@gordon-inc.com

CLEANROOM CEILINGS  
SUSPENSION-GASKET SEAL-DS-38  
MTS CONNECTOR

CIRCLE DESIGNATES  
SUSPENSION  
LOCATIONS

4'-0"  
TYP SUSPENSION  
LOCATION

DS-38  
MAIN TEE

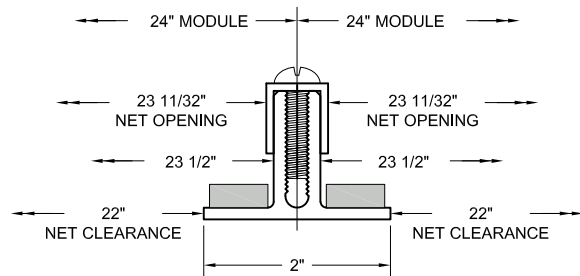
2'-0"  
TYP

2'-0"  
TYP

4'-0"  
TYP SUSPENSION  
LOCATION

DS-38  
CROSS TEE

DS-38  
MAIN TEE



MODULE SIZING (NOT TO SCALE)  
FILTERS/FIXTURES DIMENSIONS  
ARE TYPICALLY MODULE SIZE LESS 7/8" (MAXIMUM O.D.)

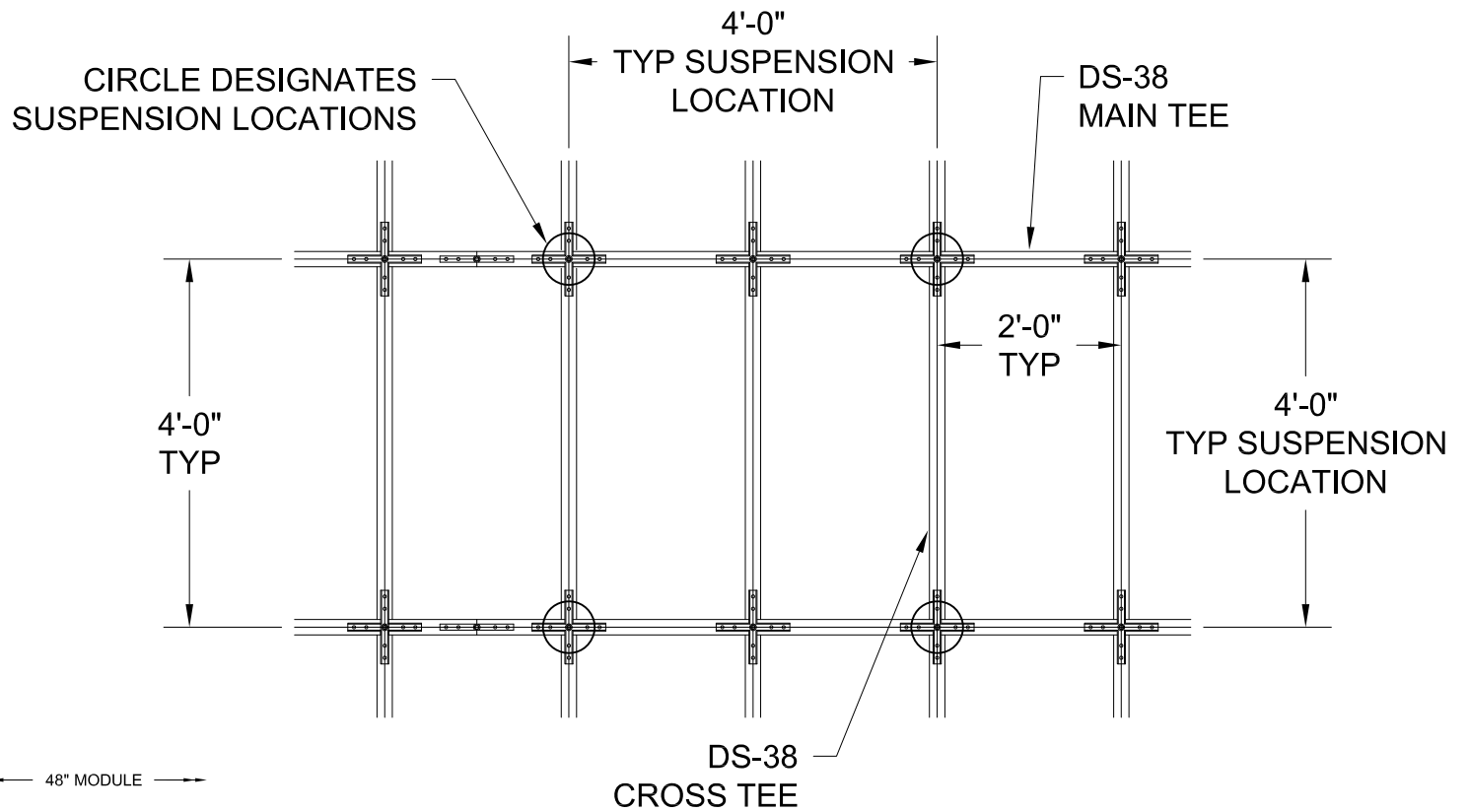
## TYPICAL GRID PLAN

CONTACT GORDON CLEANROOM PRODUCTS DIVISION  
FOR INFORMATION ON PANEL OPTIONS SIZED TO FIT THIS GRID MODULE

**GORDON**®  
ARCHITECTURAL+ENGINEERED SOLUTIONS

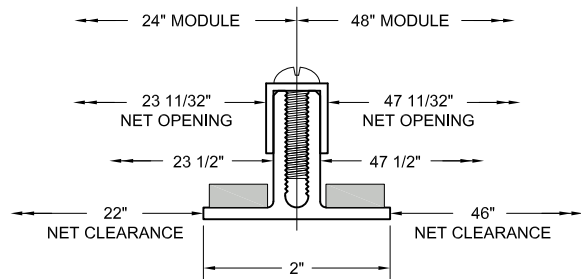
5023 Hazel Jones Rd.  
Bossier City, LA 71111  
800.747.8954  
GORDON-INC.COM  
sales@gordon-inc.com

CLEANROOM CEILINGS  
SUSPENSION-GASKET SEAL-DS-38  
24" / 24" GRID PLAN



## TYPICAL GRID PLAN

CONTACT GORDON CLEANROOM PRODUCTS DIVISION  
FOR INFORMATION ON PANEL OPTIONS SIZED TO FIT THIS GRID MODULE

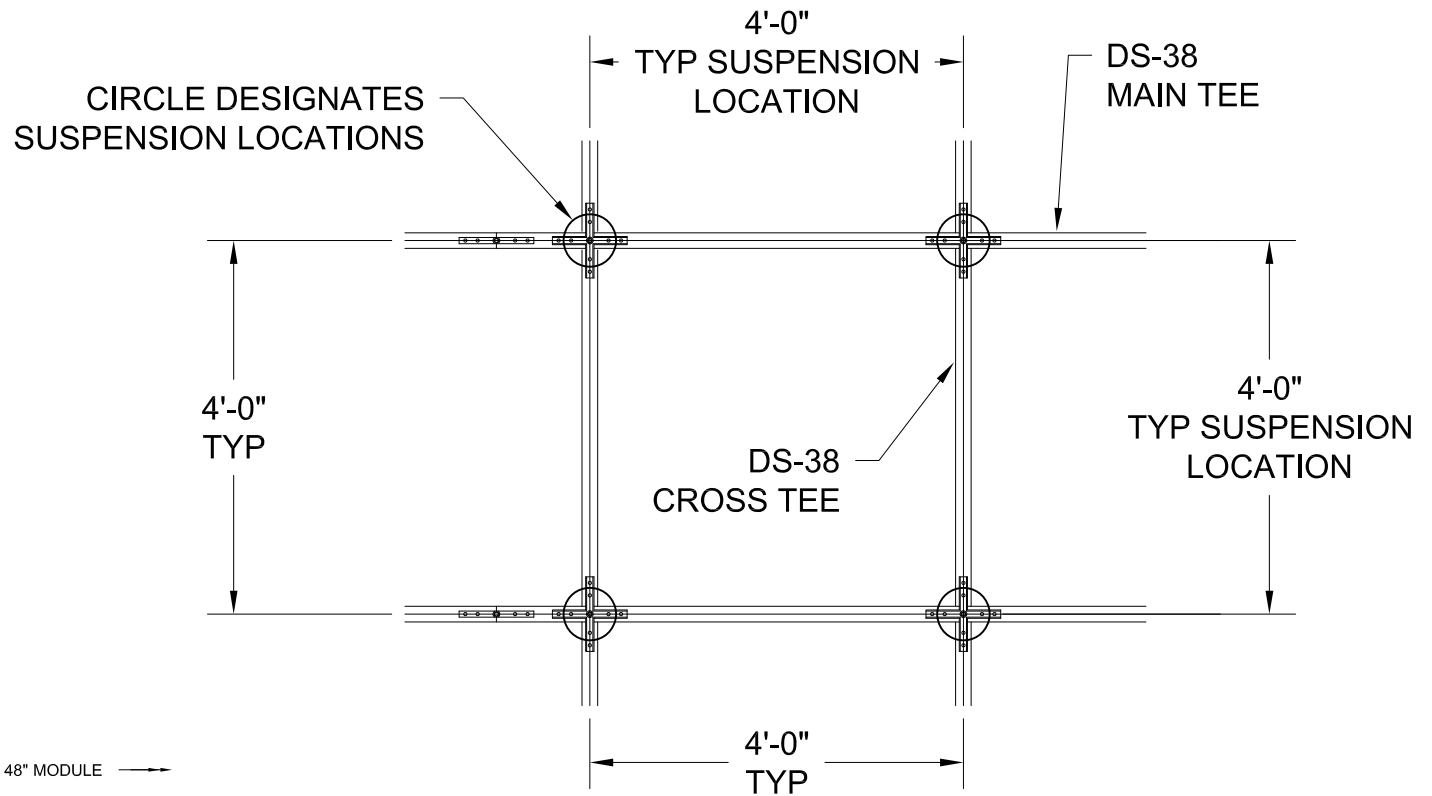


MODULE SIZING (NOT TO SCALE)  
FILTERS/FIXTURES DIMENSIONS  
ARE TYPICALLY MODULE SIZE LESS 7/8" (MAXIMUM O.D.)

**GORDON**®  
ARCHITECTURAL+ENGINEERED SOLUTIONS

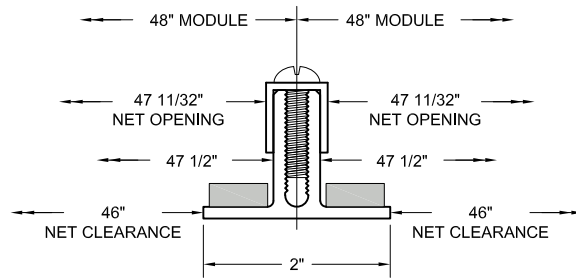
5023 Hazel Jones Rd.  
Bossier City, LA 71111  
800.747.8954  
GORDON-INC.COM  
sales@gordon-inc.com

CLEANROOM CEILINGS  
SUSPENSION-GASKET SEAL-DS-38  
24" / 48" GRID PLAN



## TYPICAL GRID PLAN

CONTACT GORDON CLEANROOM PRODUCTS DIVISION  
FOR INFORMATION ON PANEL OPTIONS SIZED TO FIT THIS GRID MODULE



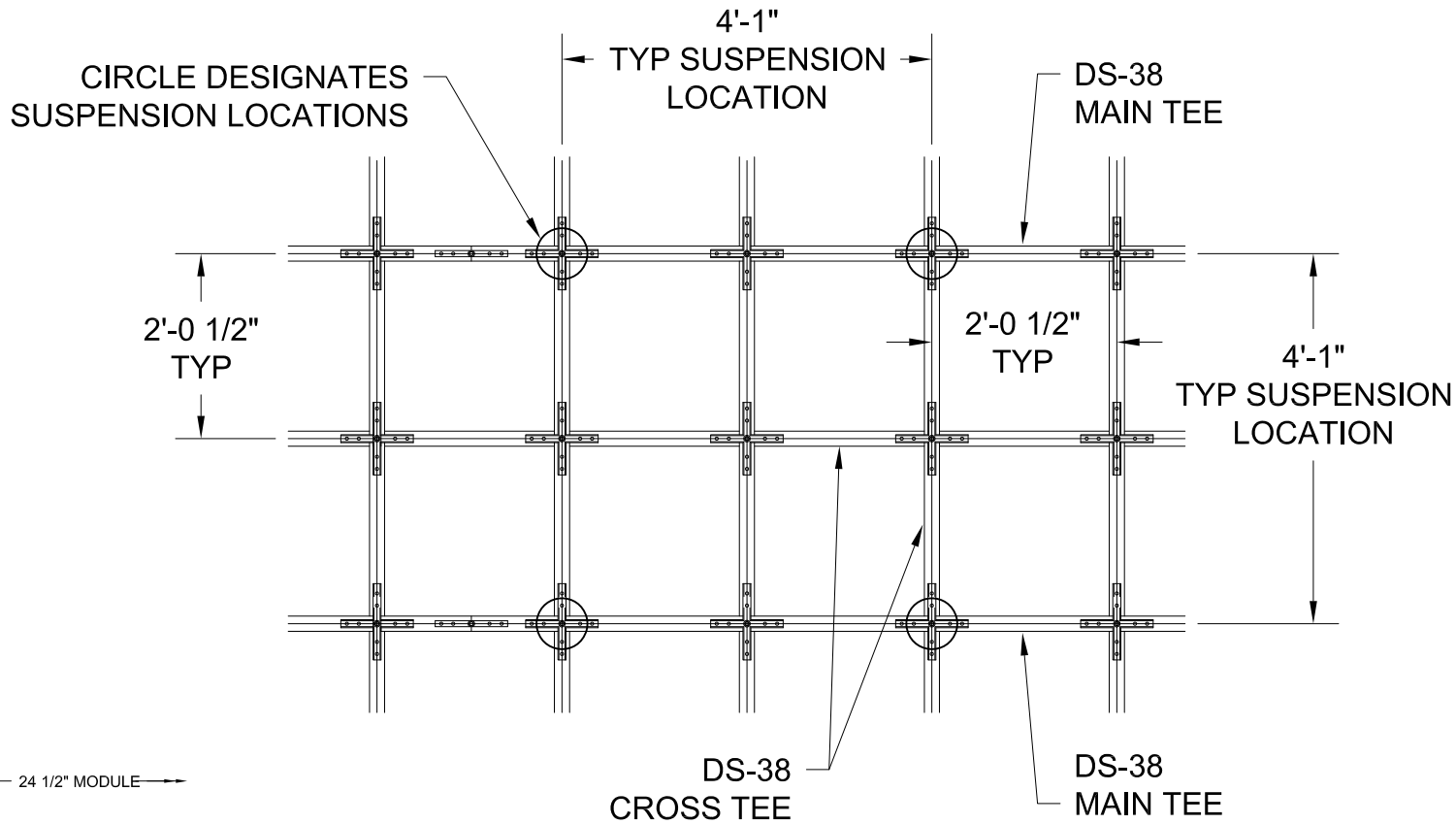
MODULE SIZING (NOT TO SCALE)  
FILTERS/FIXTURES DIMENSIONS  
ARE TYPICALLY MODULE SIZE LESS 7/8" (MAXIMUM O.D.)

**GORDON**®  
ARCHITECTURAL+ENGINEERED SOLUTIONS

5023 Hazel Jones Rd.  
Bossier City, LA 71111  
800.747.8954  
GORDON-INC.COM  
sales@gordon-inc.com

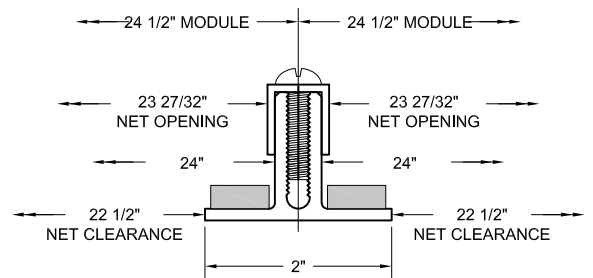
CLEANROOM CEILINGS  
SUSPENSION-GASKET SEAL-DS-38  
48" / 48" GRID PLAN





### TYPICAL GRID PLAN

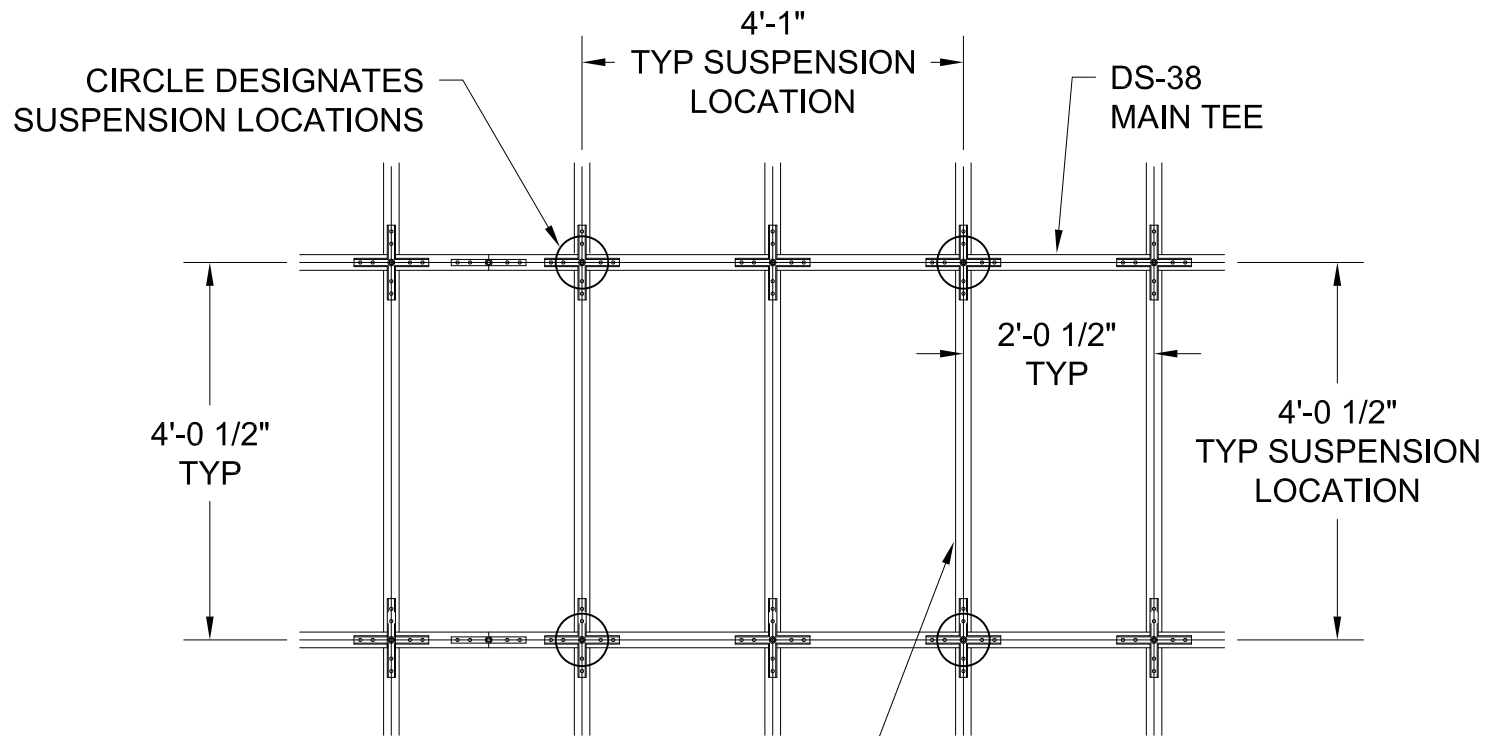
CONTACT GORDON CLEANROOM PRODUCTS DIVISION FOR INFORMATION ON PANEL OPTIONS SIZED TO FIT THIS GRID MODULE



MODULE SIZING (NOT TO SCALE)  
 FILTERS/FIXTURES DIMENSIONS  
 ARE TYPICALLY MODULE SIZE LESS 7/8" (MAXIMUM O.D.)

**GORDON**® ARCHITECTURAL+ENGINEERED SOLUTIONS  
 5023 Hazel Jones Rd.  
 Bossier City, LA 71111  
 800.747.8954  
 GORDON-INC.COM  
 sales@gordon-inc.com

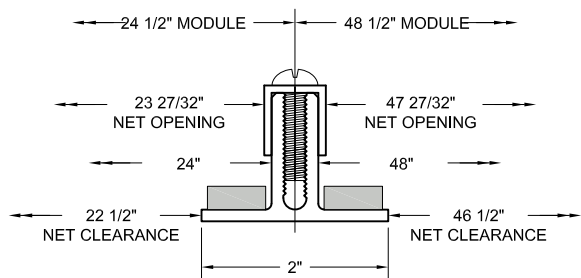
CLEANROOM CEILINGS  
 SUSPENSION-GASKET SEAL-DS-38  
 24 1/2" / 24 1/2" GRID PLAN



DS-38  
CROSS TEE

## TYPICAL GRID PLAN

CONTACT GORDON CLEANROOM PRODUCTS DIVISION  
FOR INFORMATION ON PANEL OPTIONS SIZED TO FIT THIS GRID MODULE

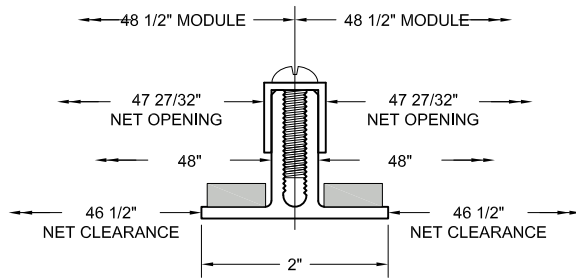
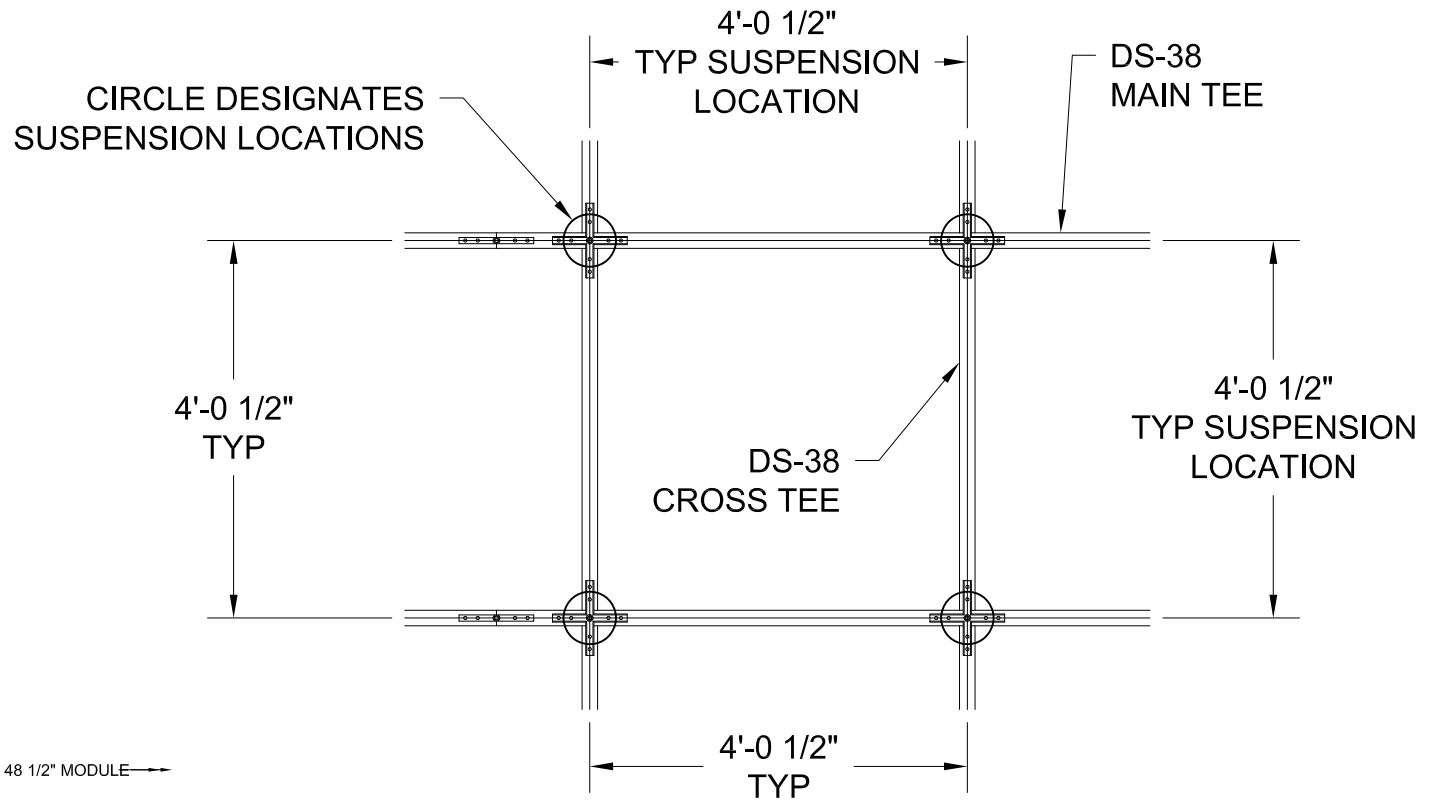


MODULE SIZING (NOT TO SCALE)  
FILTERS/FIXTURES DIMENSIONS  
ARE TYPICALLY MODULE SIZE LESS 7/8" (MAXIMUM O.D.)

**GORDON**®  
ARCHITECTURAL+ENGINEERED SOLUTIONS

5023 Hazel Jones Rd.  
Bossier City, LA 71111  
800.747.8954  
GORDON-INC.COM  
sales@gordon-inc.com

CLEANROOM CEILINGS  
SUSPENSION-GASKET SEAL-DS-38  
24 1/2" / 48 1/2" GRID PLAN



MODULE SIZING (NOT TO SCALE)  
 FILTERS/FIXTURES DIMENSIONS  
 ARE TYPICALLY MODULE SIZE LESS 7/8" (MAXIMUM O.D.)

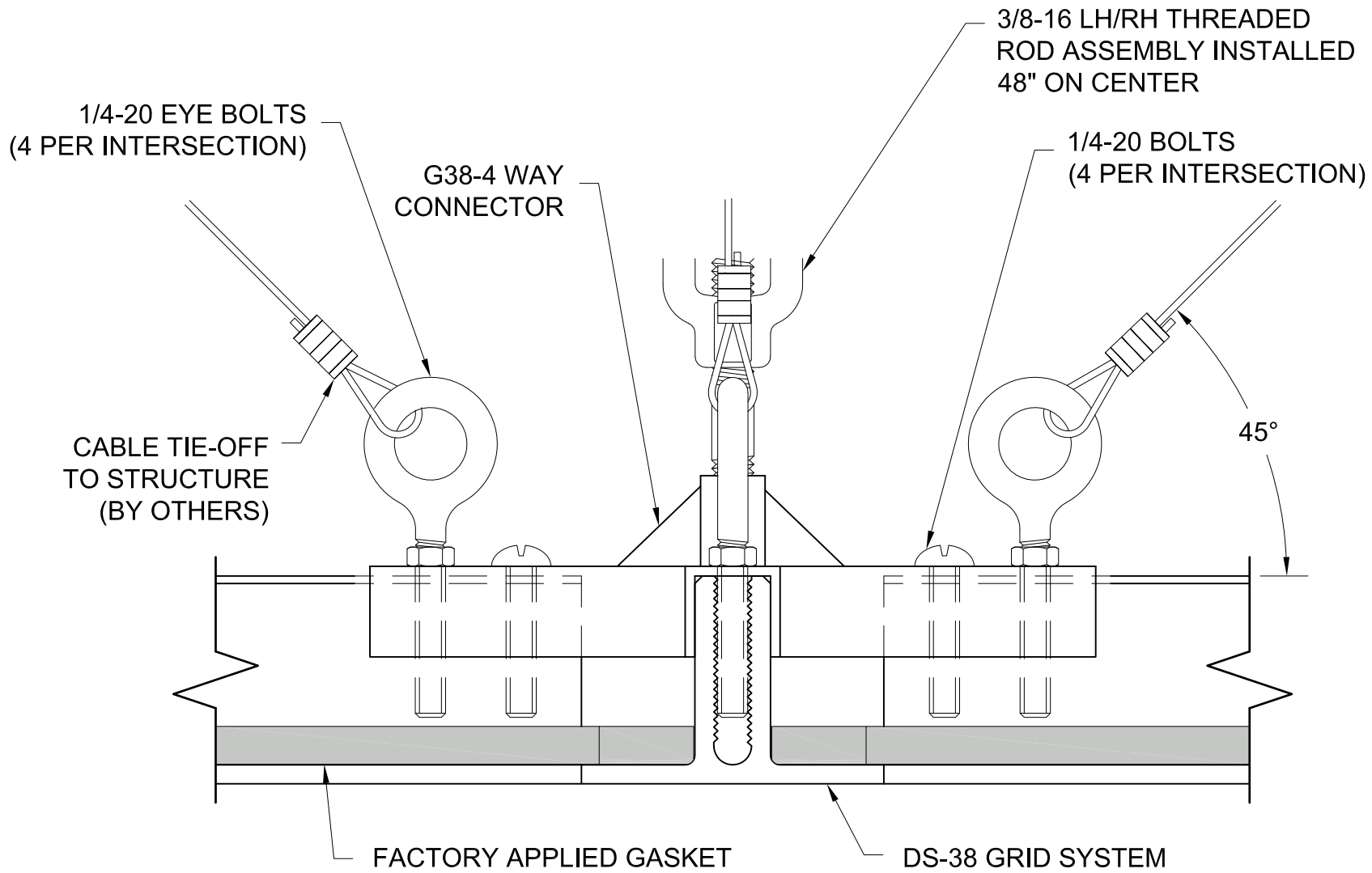
## TYPICAL GRID PLAN

CONTACT GORDON CLEANROOM PRODUCTS DIVISION  
 FOR INFORMATION ON PANEL OPTIONS SIZED TO FIT THIS GRID MODULE

**GORDON**®  
 ARCHITECTURAL+ENGINEERED SOLUTIONS

5023 Hazel Jones Rd.  
 Bossier City, LA 71111  
 800.747.8954  
 GORDON-INC.COM  
 sales@gordon-inc.com

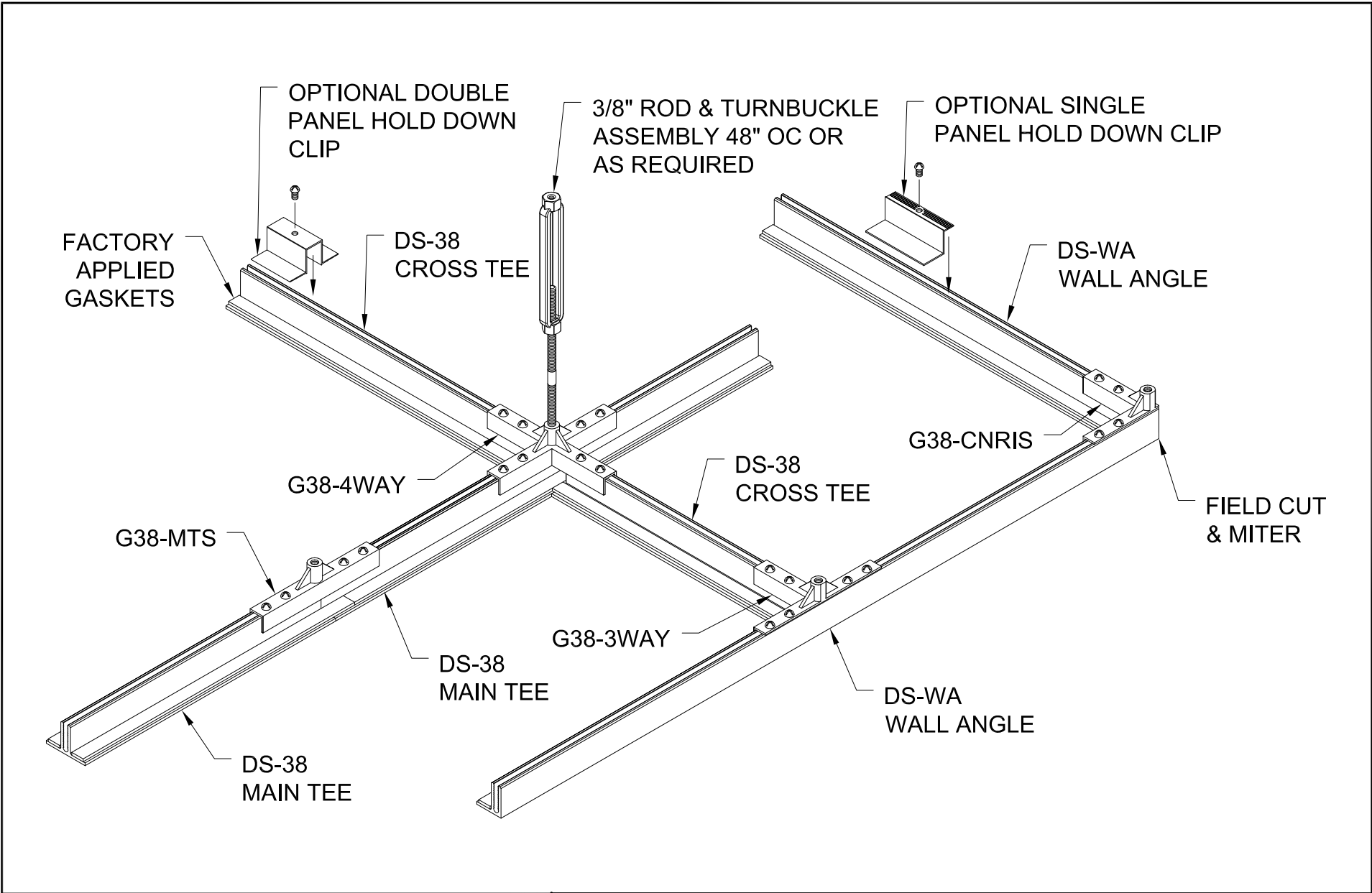
CLEANROOM CEILINGS  
 SUSPENSION-GASKET SEAL-DS-38  
 48 1/2" / 48 1/2" GRID PLAN



**GORDON**®  
ARCHITECTURAL+ENGINEERED SOLUTIONS

5023 Hazel Jones Rd.  
Bossier City, LA 71111  
800.747.8954  
GORDON-INC.COM  
sales@gordon-inc.com

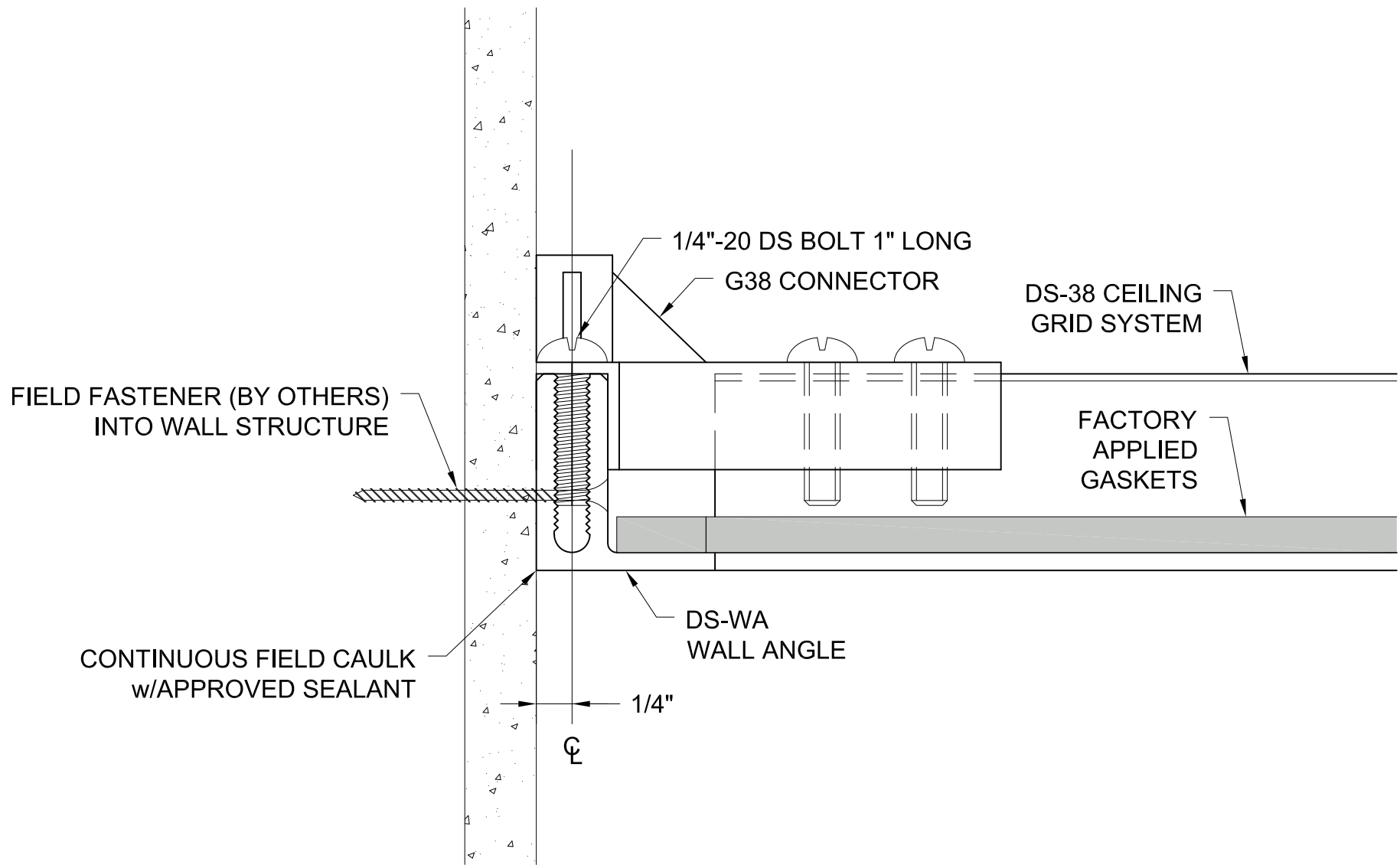
**CLEANROOM CEILINGS  
SUSPENSION-GASKET SEAL-DS-38  
SEISMIC DETAIL**



**GORDON**<sup>®</sup>  
 ARCHITECTURAL+ENGINEERED SOLUTIONS

5023 Hazel Jones Rd.  
 Bossier City, LA 71111  
 800.747.8954  
 GORDON-INC.COM  
 sales@gordon-inc.com

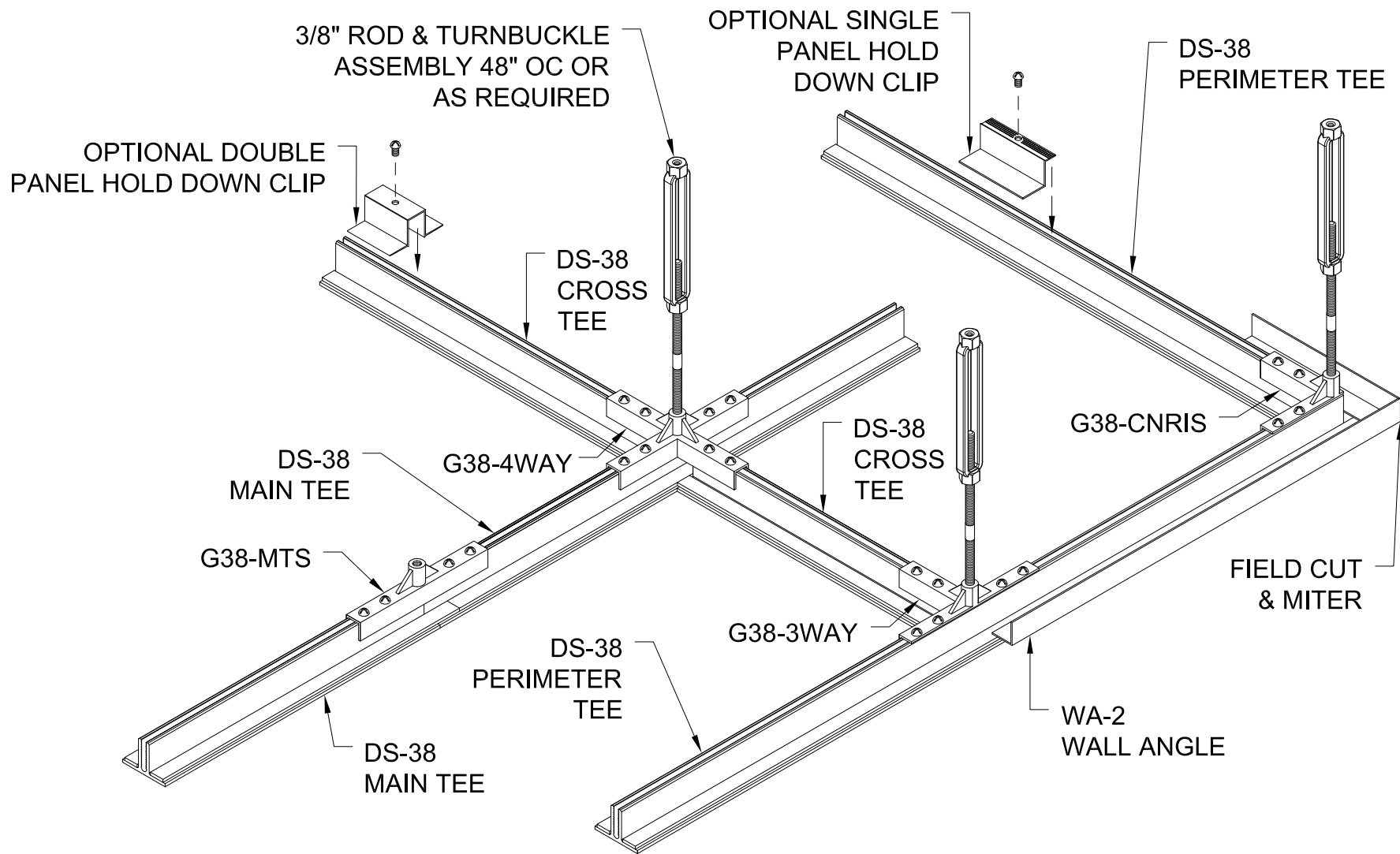
CLEANROOM CEILINGS  
 SUSPENSION-GASKET SEAL-DS-38  
 FIXED PERIMETER ISOMETRIC



**GORDON**<sup>®</sup>  
ARCHITECTURAL+ENGINEERED SOLUTIONS

5023 Hazel Jones Rd.  
Bossier City, LA 71111  
800.747.8954  
GORDON-INC.COM  
sales@gordon-inc.com

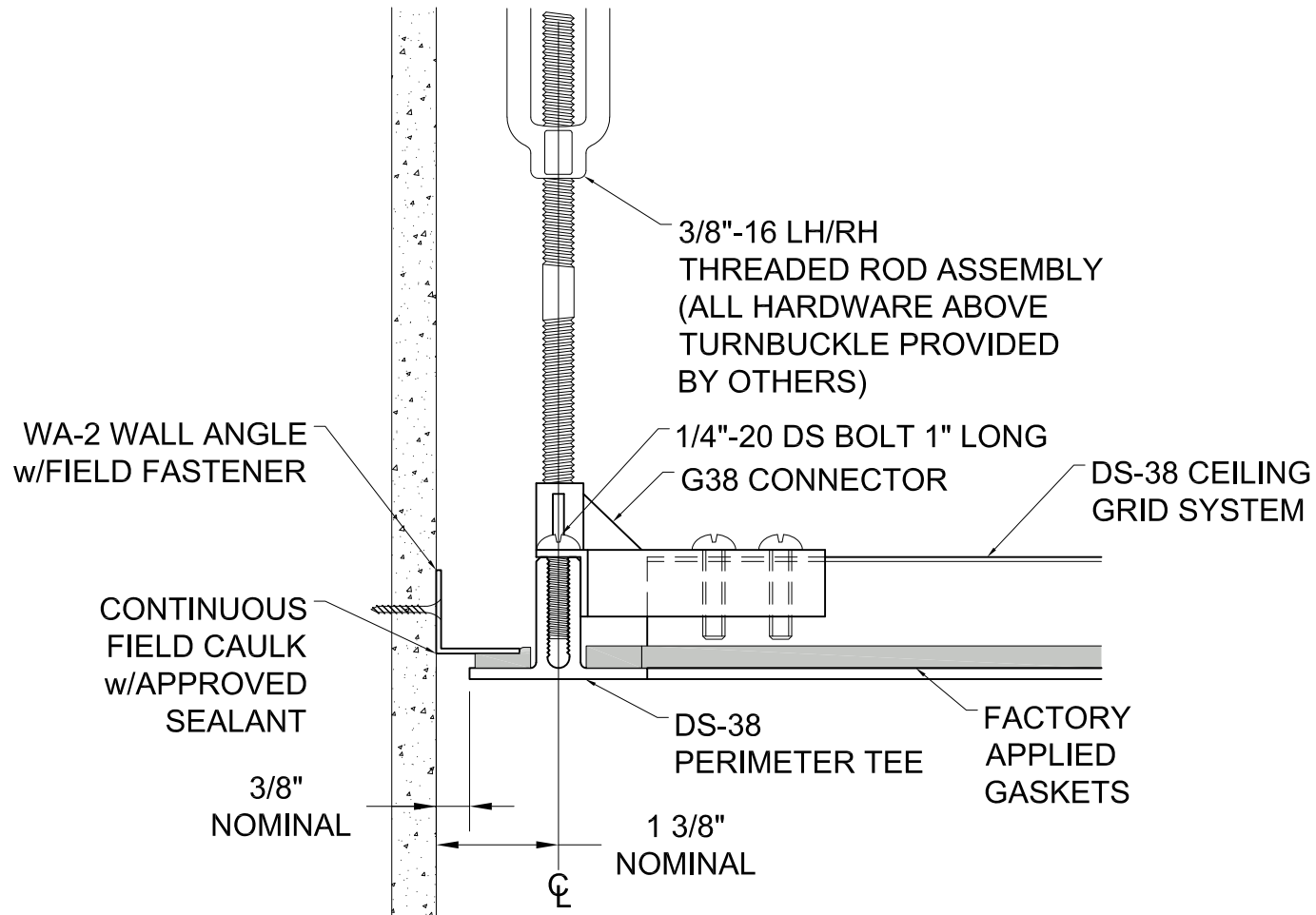
CLEANROOM CEILINGS  
SUSPENSION-GASKET SEAL-DS-38  
FIXED PERIMETER SECTION



**GORDON**<sup>®</sup>  
ARCHITECTURAL+ENGINEERED SOLUTIONS

5023 Hazel Jones Rd.  
Bossier City, LA 71111  
800.747.8954  
GORDON-INC.COM  
sales@gordon-inc.com

CLEANROOM CEILINGS  
SUSPENSION-GASKET SEAL-DS-38  
FLOATING PERIMETER ISOMETRIC

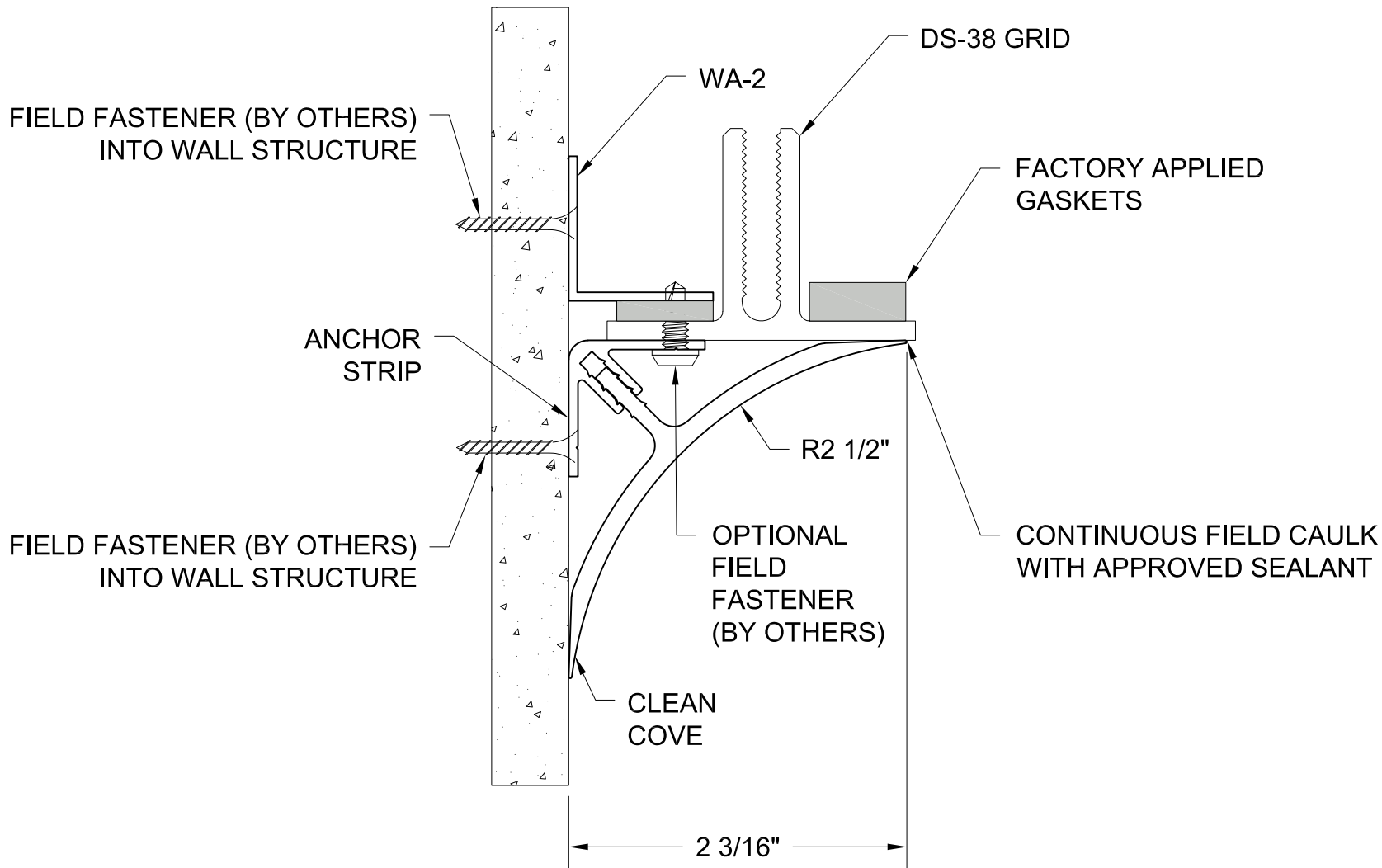


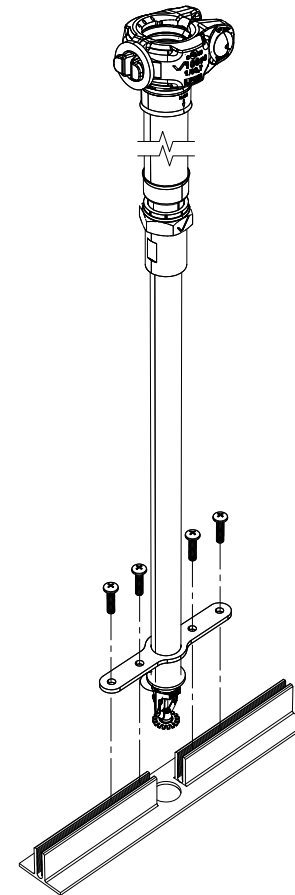
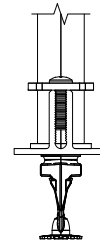
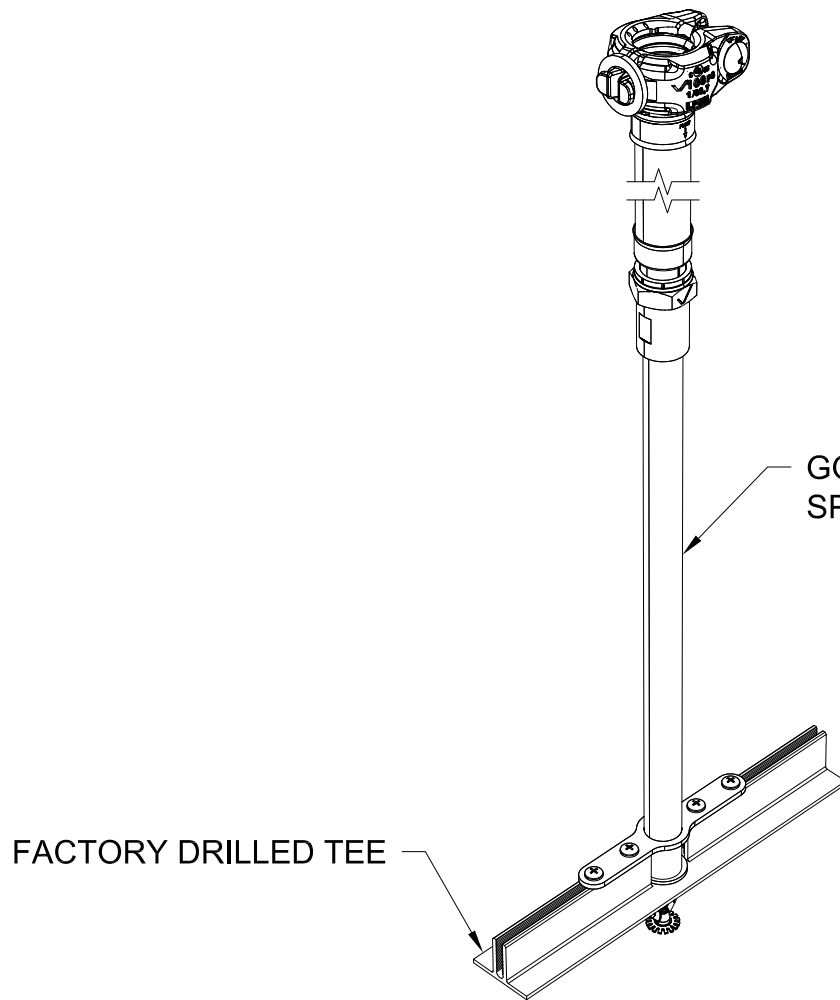
**GORDON**<sup>®</sup>  
 ARCHITECTURAL+ENGINEERED SOLUTIONS

5023 Hazel Jones Rd.  
 Bossier City, LA 71111  
 800.747.8954  
 GORDON-INC.COM  
 sales@gordon-inc.com

CLEANROOM CEILINGS  
 SUSPENSION-GASKET SEAL-DS-38  
 FLOATING PERIMETER SECTION



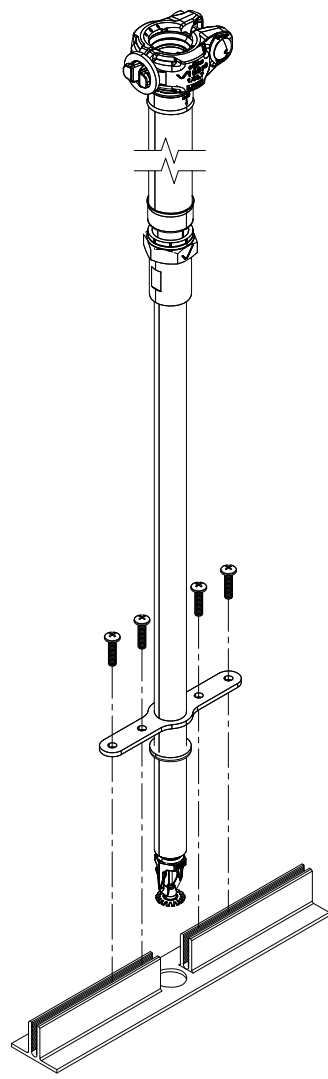
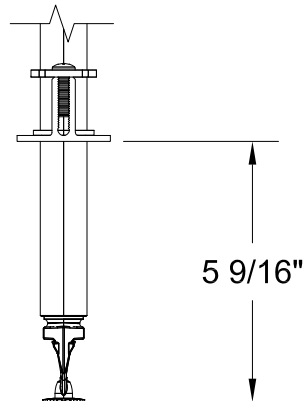
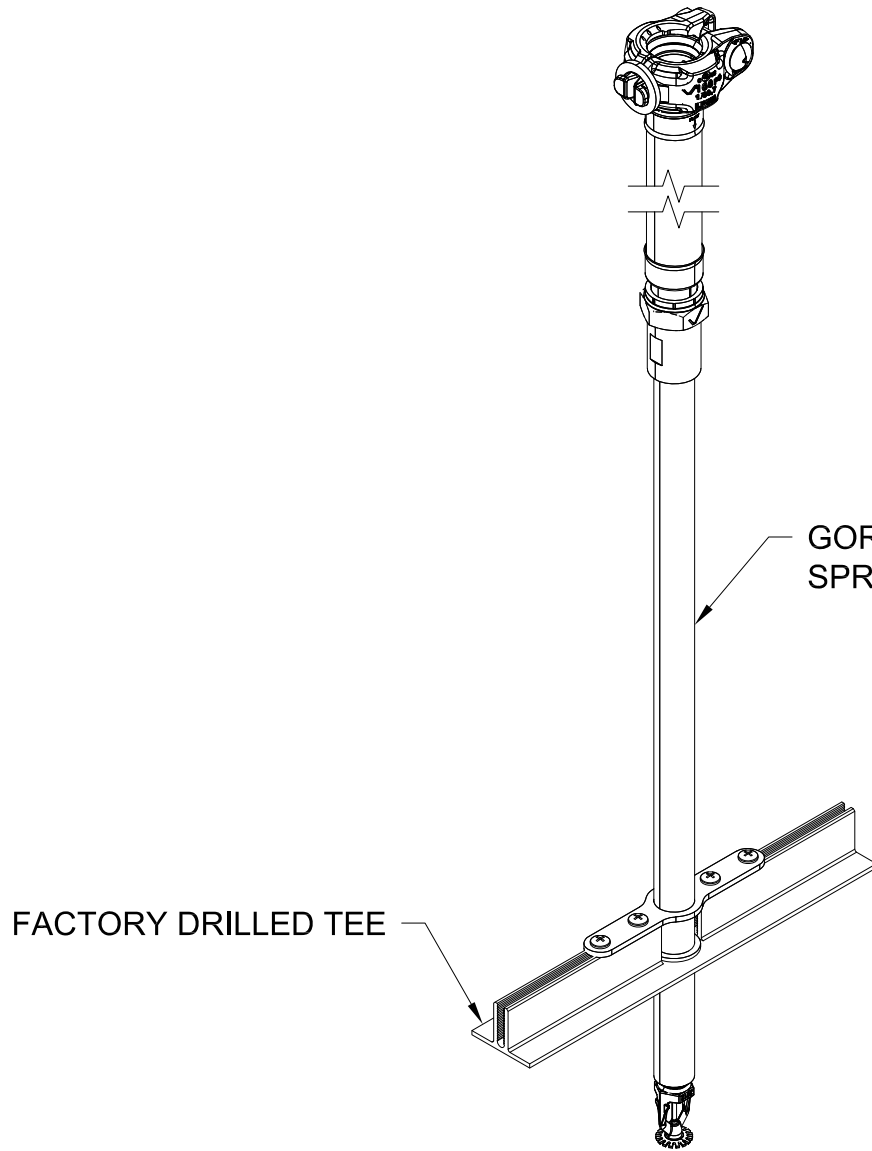




**GORDON**®  
ARCHITECTURAL+ENGINEERED SOLUTIONS

5023 Hazel Jones Rd.  
Bossier City, LA 71111  
800.747.8954  
GORDON-INC.COM  
sales@gordon-inc.com

CLEANROOM CEILINGS  
SUSPENSION-GASKET SEAL-DS-38  
FLUSH SPRINKLER ASSEMBLY



**GORDON**®  
ARCHITECTURAL+ENGINEERED SOLUTIONS

5023 Hazel Jones Rd.  
Bossier City, LA 71111  
800.747.8954  
GORDON-INC.COM  
sales@gordon-inc.com

CLEANROOM CEILINGS  
SUSPENSION-GASKET SEAL-DS-38  
EXTENDED SPRINKLER ASSEMBLY