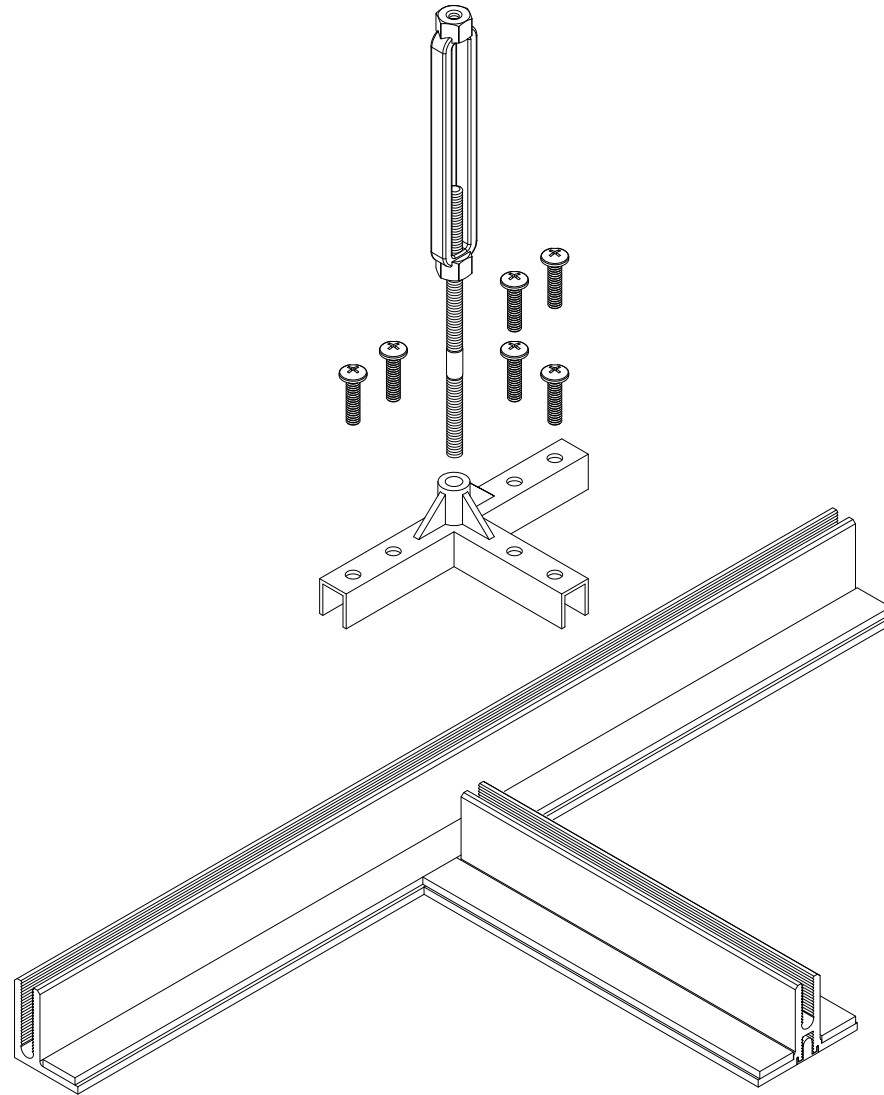


GORDON®
ARCHITECTURAL+ENGINEERED SOLUTIONS

5023 Hazel Jones Rd.
Bossier City, LA 71111
800.747.8954
GORDON-INC.COM
sales@gordon-inc.com

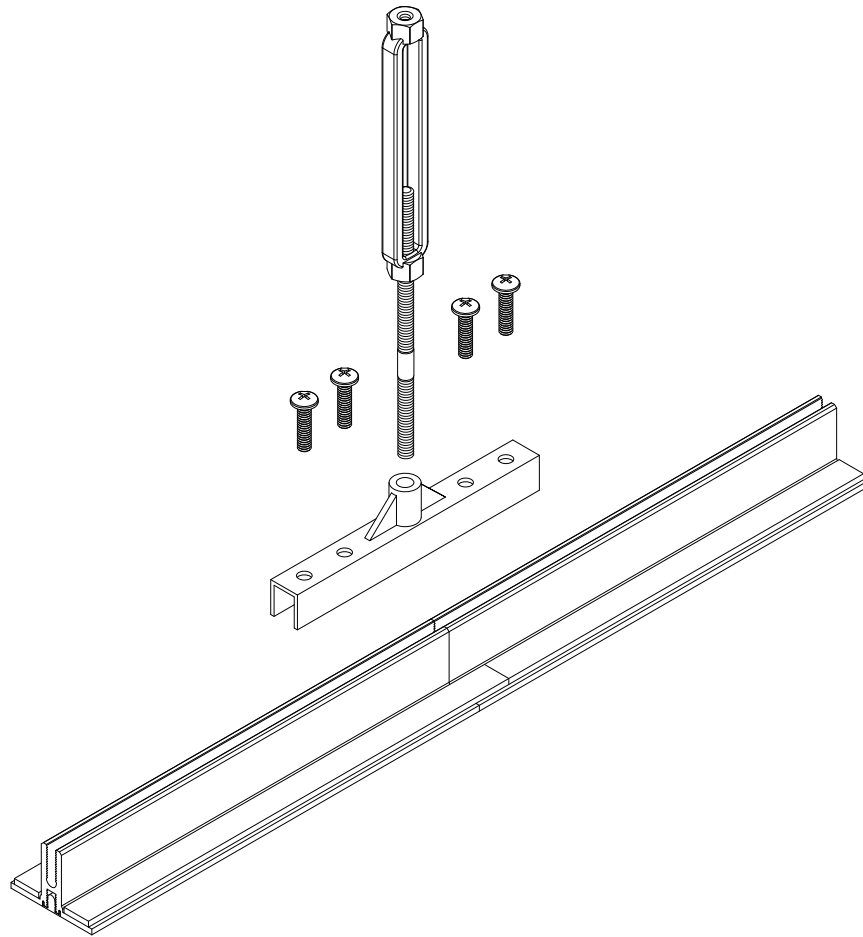
CLEANROOM CEILINGS
SUSPENSION-GASKET SEAL-DS-38-SS
4-WAY CONNECTOR



GORDON®
ARCHITECTURAL+ENGINEERED SOLUTIONS

5023 Hazel Jones Rd.
Bossier City, LA 71111
800.747.8954
GORDON-INC.COM
sales@gordon-inc.com

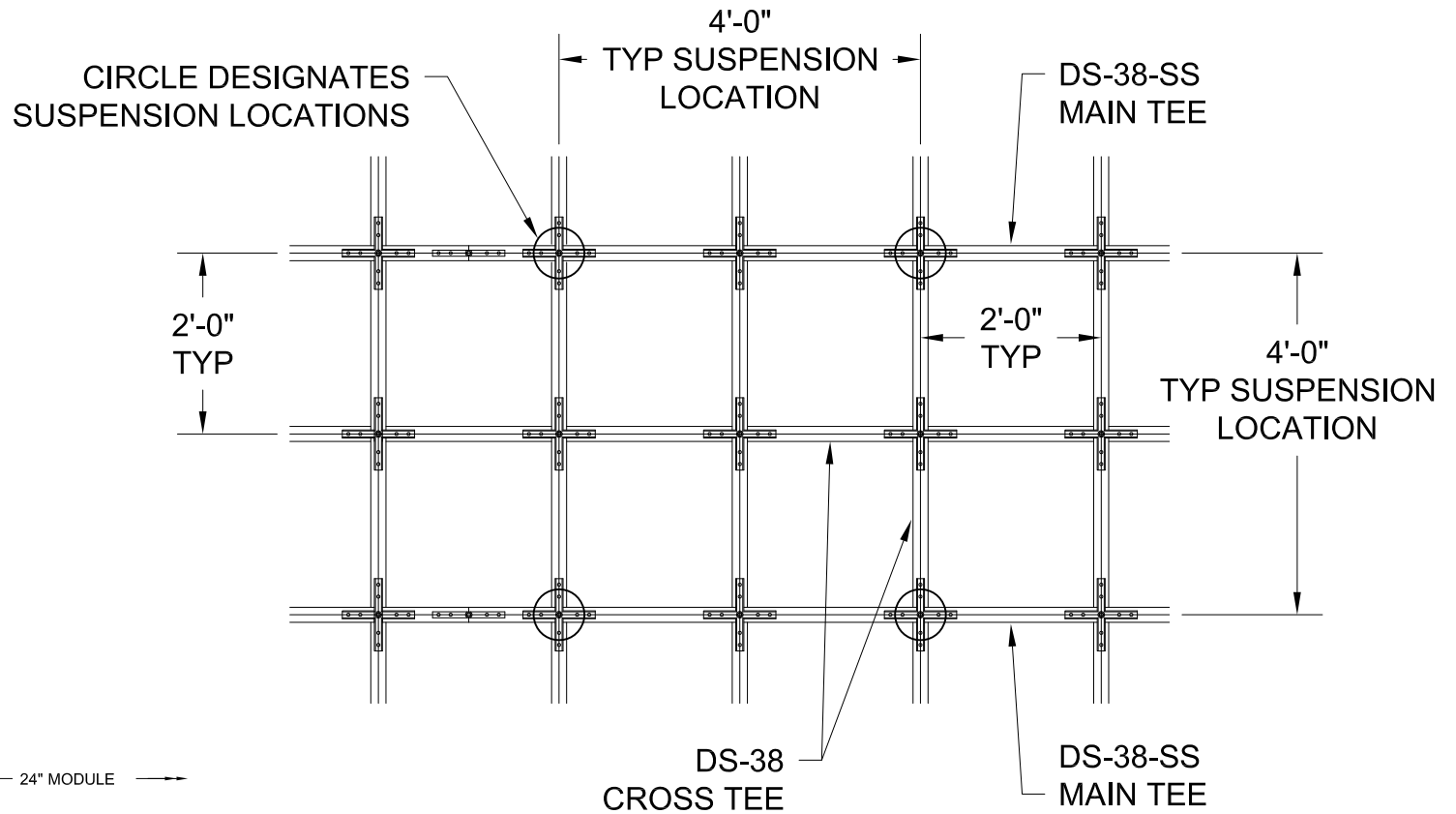
CLEANROOM CEILINGS
SUSPENSION-GASKET SEAL-DS-38-SS
3-WAY CONNECTOR



GORDON®
ARCHITECTURAL+ENGINEERED SOLUTIONS

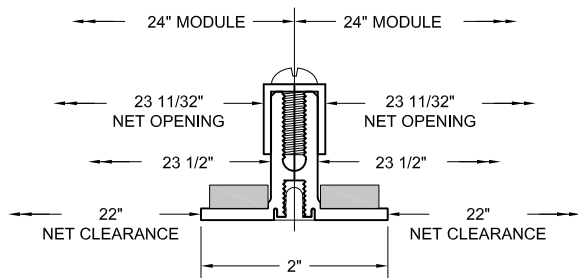
5023 Hazel Jones Rd.
Bossier City, LA 71111
800.747.8954
GORDON-INC.COM
sales@gordon-inc.com

CLEANROOM CEILINGS
SUSPENSION-GASKET SEAL-DS-38-SS
MTS CONNECTOR



TYPICAL GRID PLAN

CONTACT GORDON CLEANROOM PRODUCTS DIVISION
FOR INFORMATION ON PANEL OPTIONS SIZED TO FIT THIS GRID MODULE

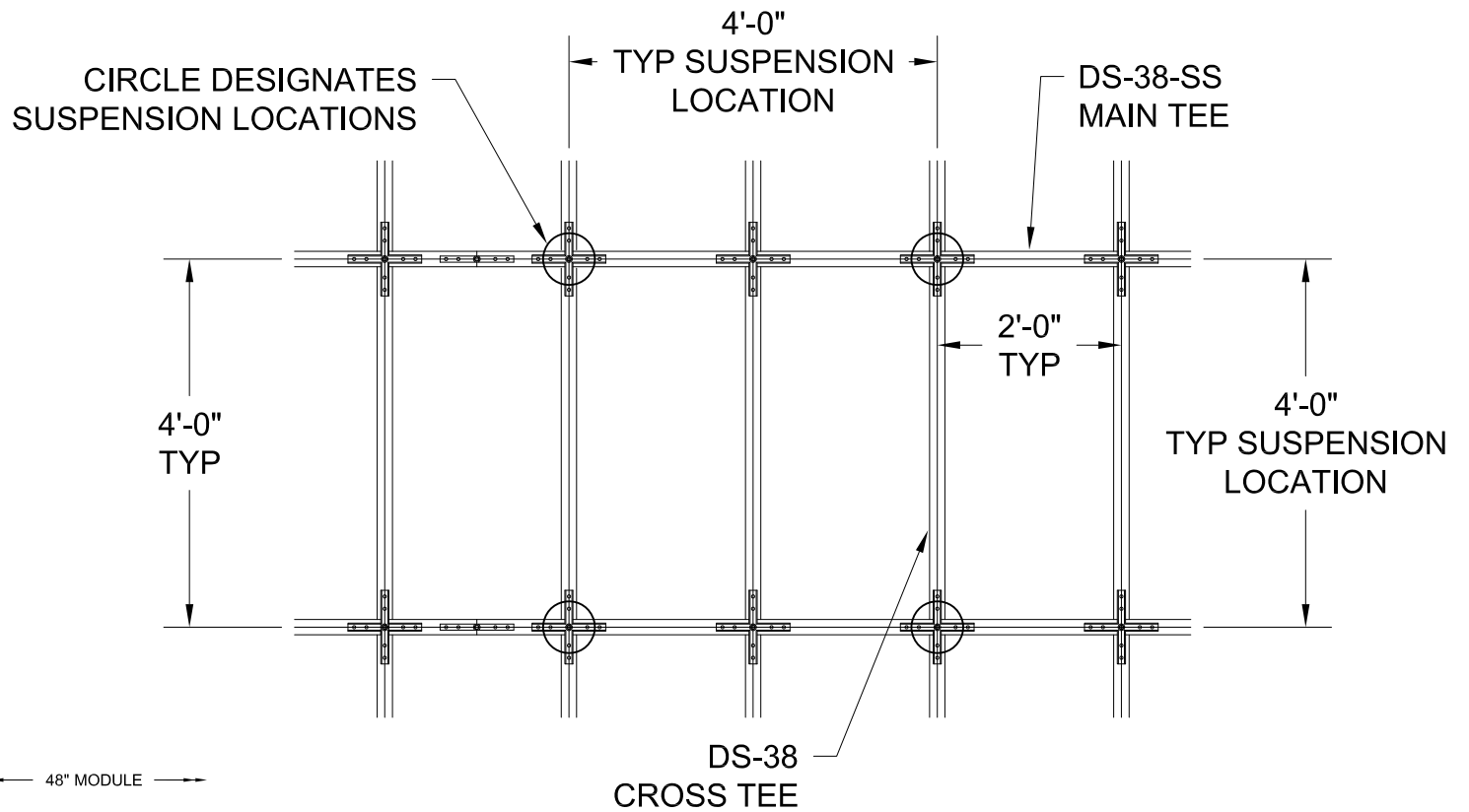


MODULE SIZING (NOT TO SCALE)
FILTERS/FIXTURES DIMENSIONS
ARE TYPICALLY MODULE SIZE LESS 7/8" (MAXIMUM O.D.)

GORDON®
ARCHITECTURAL+ENGINEERED SOLUTIONS

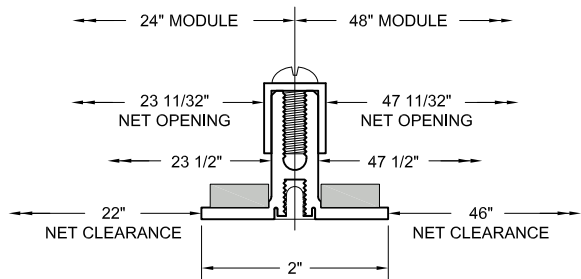
5023 Hazel Jones Rd.
Bossier City, LA 71111
800.747.8954
GORDON-INC.COM
sales@gordon-inc.com

CLEANROOM CEILINGS
SUSPENSION-GASKET SEAL-DS-38-SS
24" / 24" GRID PLAN



TYPICAL GRID PLAN

CONTACT GORDON CLEANROOM PRODUCTS DIVISION
FOR INFORMATION ON PANEL OPTIONS SIZED TO FIT THIS GRID MODULE



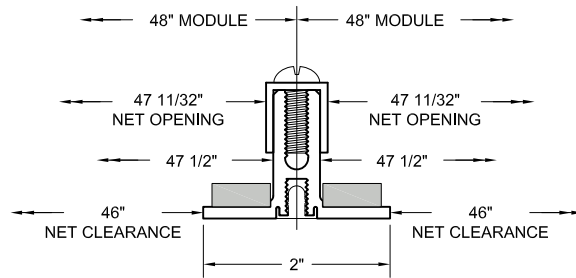
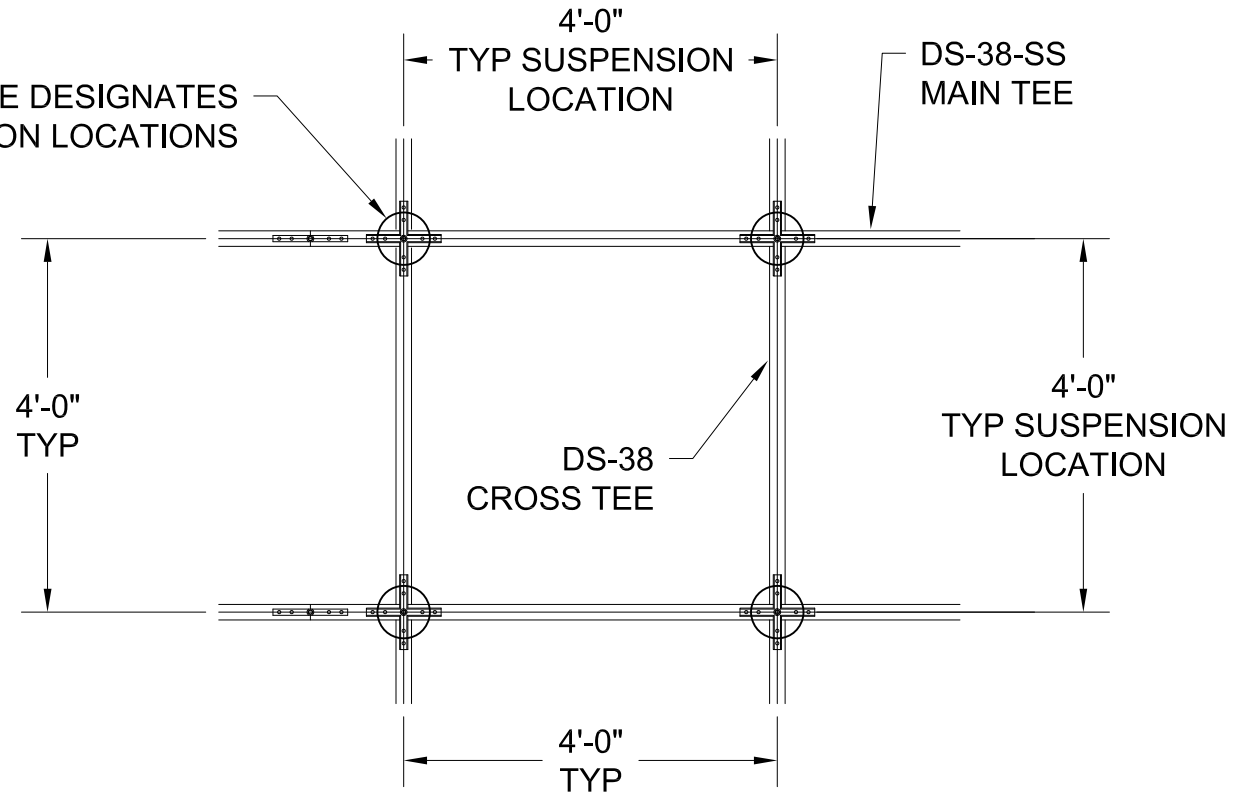
MODULE SIZING (NOT TO SCALE)
FILTERS/FIXTURES DIMENSIONS
ARE TYPICALLY MODULE SIZE LESS 7/8" (MAXIMUM O.D.)

GORDON®
ARCHITECTURAL+ENGINEERED SOLUTIONS

5023 Hazel Jones Rd.
Bossier City, LA 71111
800.747.8954
GORDON-INC.COM
sales@gordon-inc.com

CLEANROOM CEILINGS
SUSPENSION-GASKET SEAL-DS-38-SS
24" / 48" GRID PLAN

CIRCLE DESIGNATES
SUSPENSION LOCATIONS



MODULE SIZING (NOT TO SCALE)
FILTERS/FIXTURES DIMENSIONS
ARE TYPICALLY MODULE SIZE LESS 7/8" (MAXIMUM O.D.)

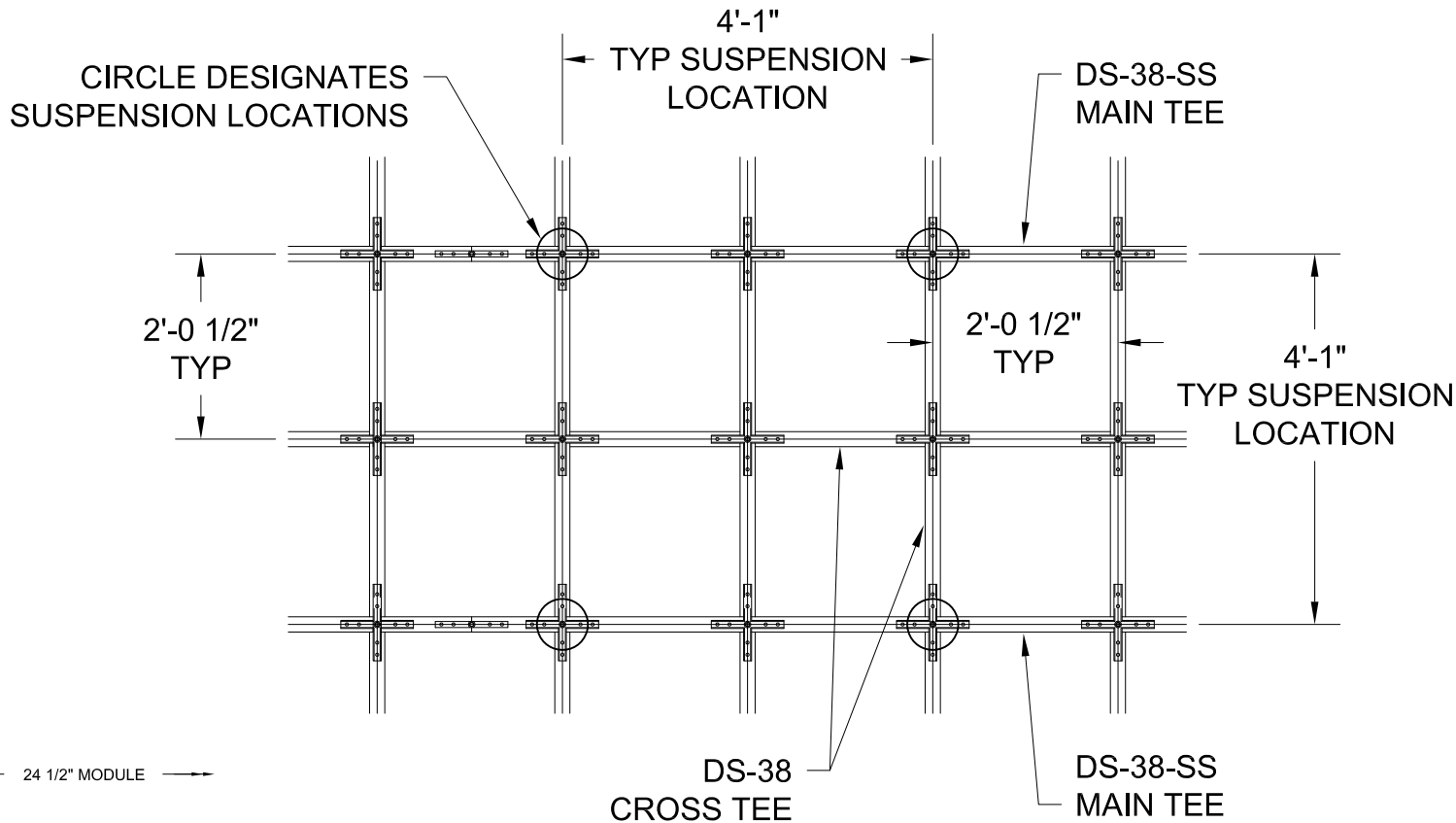
TYPICAL GRID PLAN

CONTACT GORDON CLEANROOM PRODUCTS DIVISION
FOR INFORMATION ON PANEL OPTIONS SIZED TO FIT THIS GRID MODULE

GORDON®
ARCHITECTURAL+ENGINEERED SOLUTIONS

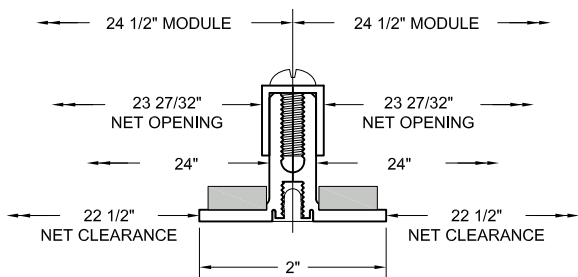
5023 Hazel Jones Rd.
Bossier City, LA 71111
800.747.8954
GORDON-INC.COM
sales@gordon-inc.com

CLEANROOM CEILINGS
SUSPENSION-GASKET SEAL-DS-38-SS
48" / 48" GRID PLAN



TYPICAL GRID PLAN

CONTACT GORDON CLEANROOM PRODUCTS DIVISION
FOR INFORMATION ON PANEL OPTIONS SIZED TO FIT THIS GRID MODULE

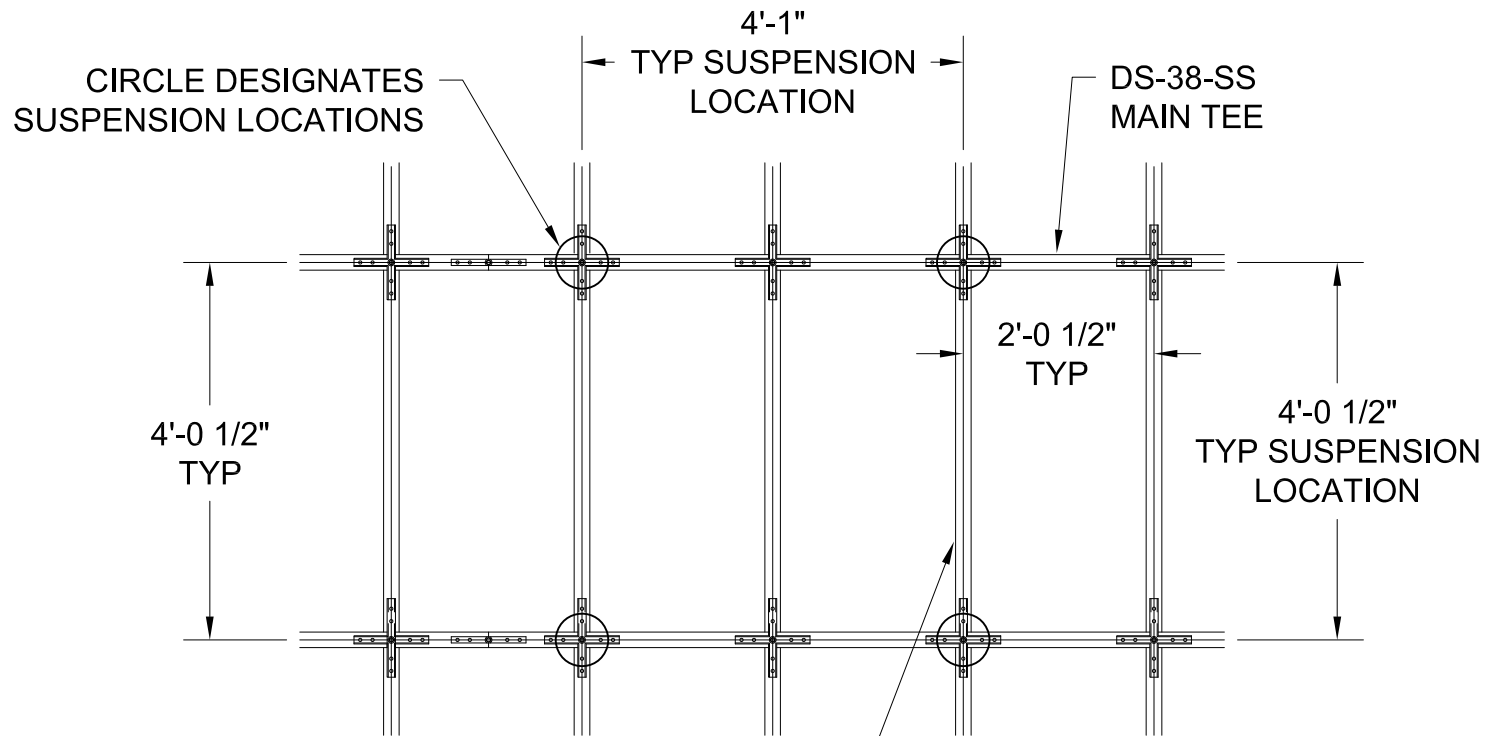


MODULE SIZING (NOT TO SCALE)
FILTERS/FIXTURES DIMENSIONS
ARE TYPICALLY MODULE SIZE LESS 7/8" (MAXIMUM O.D.)

GORDON[®]
ARCHITECTURAL+ENGINEERED SOLUTIONS

5023 Hazel Jones Rd.
Bossier City, LA 71111
800.747.8954
GORDON-INC.COM
sales@gordon-inc.com

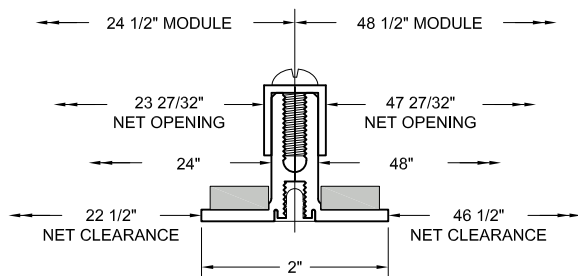
CLEANROOM CEILINGS
SUSPENSION-GASKET SEAL-DS-38-SS
24 1/2" / 24 1/2" GRID PLAN



DS-38
CROSS TEE

TYPICAL GRID PLAN

CONTACT GORDON CLEANROOM PRODUCTS DIVISION
FOR INFORMATION ON PANEL OPTIONS SIZED TO FIT THIS GRID MODULE

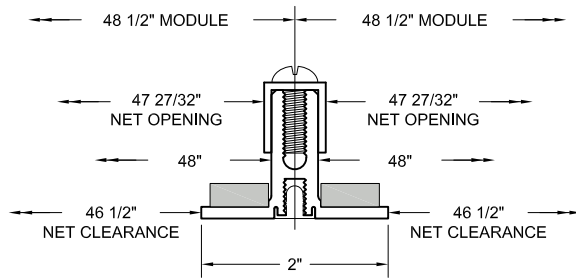
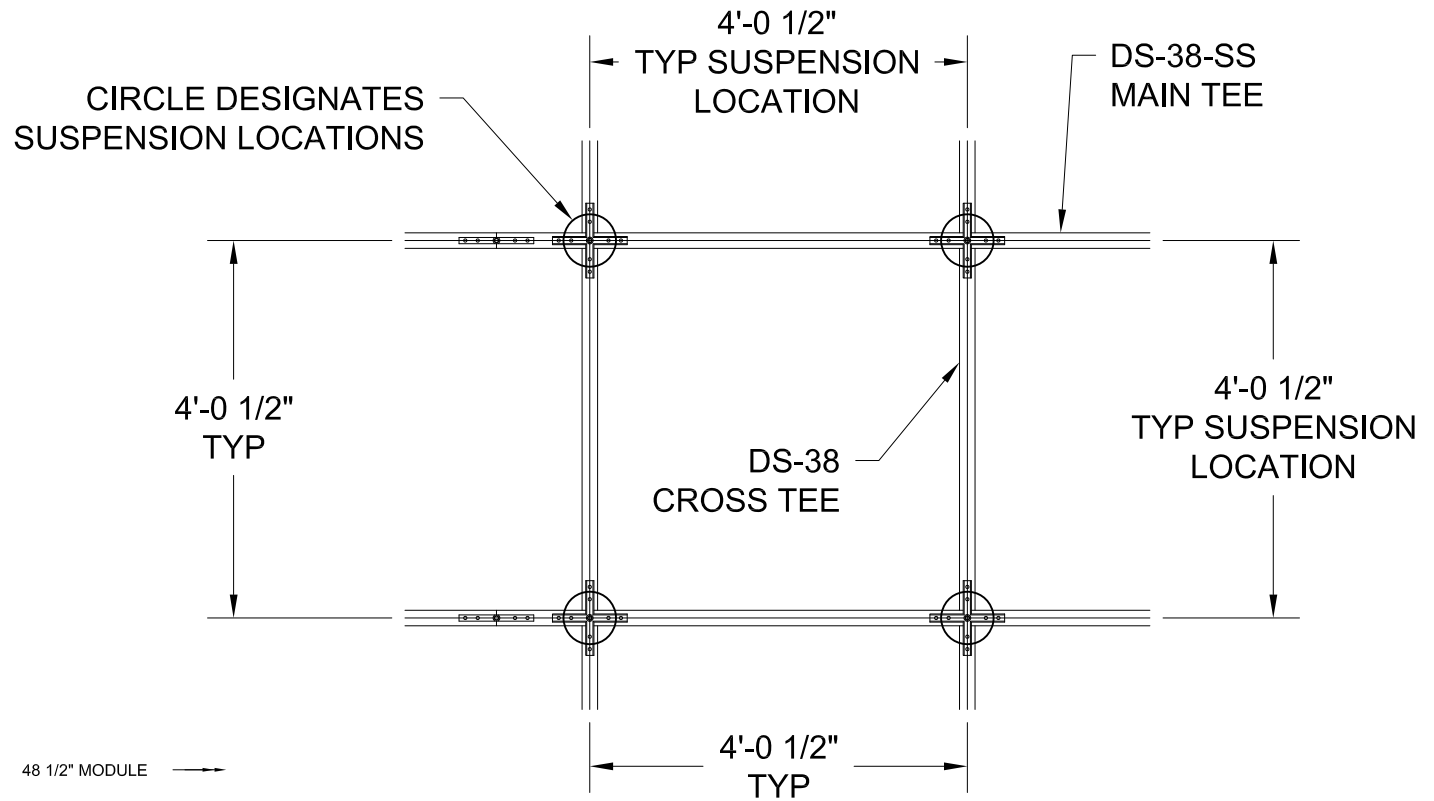


MODULE SIZING (NOT TO SCALE)
FILTERS/FIXTURES DIMENSIONS
ARE TYPICALLY MODULE SIZE LESS 7/8" (MAXIMUM O.D.)

GORDON®
ARCHITECTURAL+ENGINEERED SOLUTIONS

5023 Hazel Jones Rd.
Bossier City, LA 71111
800.747.8954
GORDON-INC.COM
sales@gordon-inc.com

CLEANROOM CEILINGS
SUSPENSION-GASKET SEAL-DS-38-SS
24 1/2" / 48 1/2" GRID PLAN



MODULE SIZING (NOT TO SCALE)
 FILTERS/FIXTURES DIMENSIONS
 ARE TYPICALLY MODULE SIZE LESS 7/8" (MAXIMUM O.D.)

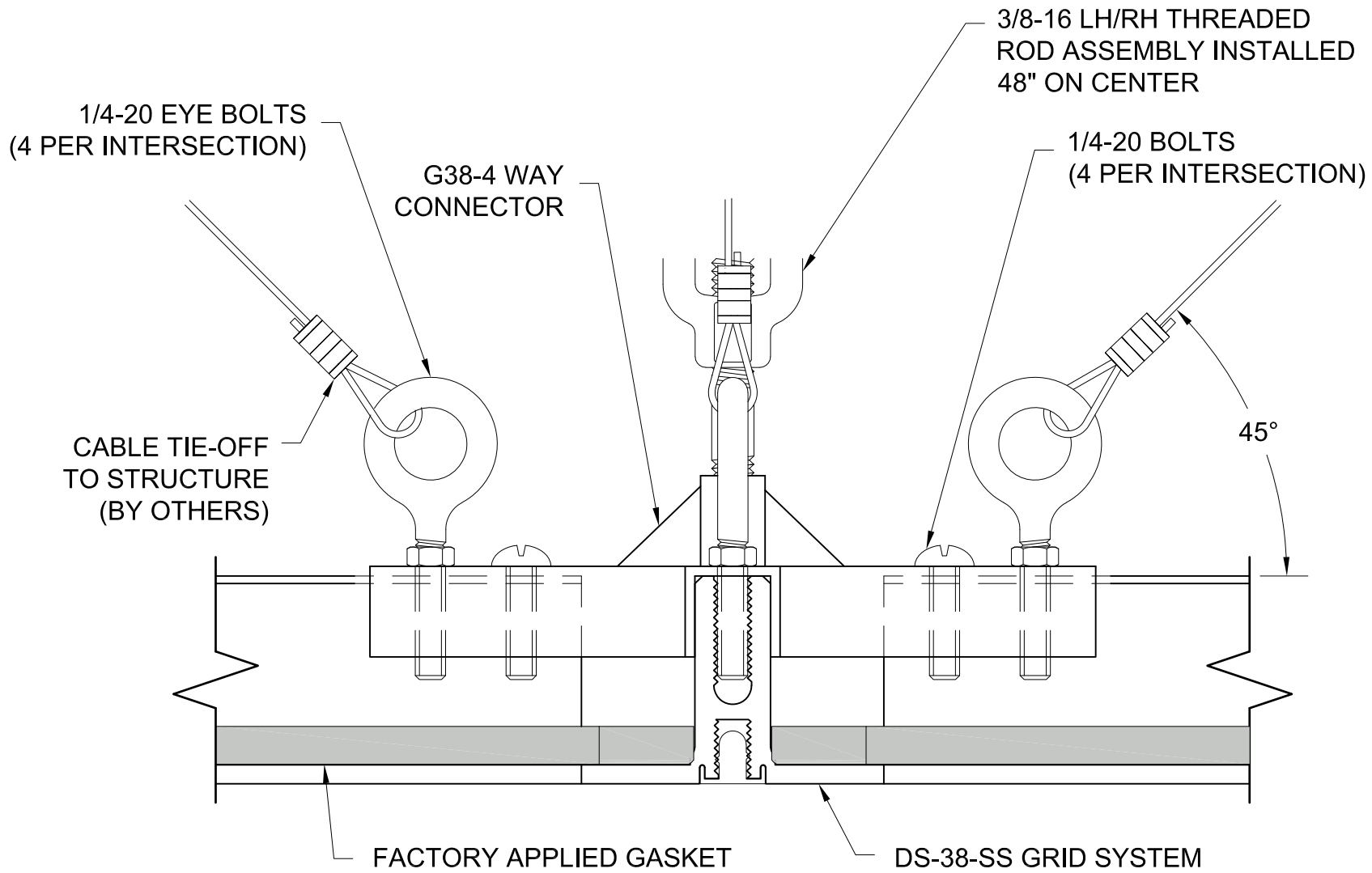
TYPICAL GRID PLAN

CONTACT GORDON CLEANROOM PRODUCTS DIVISION
 FOR INFORMATION ON PANEL OPTIONS SIZED TO FIT THIS GRID MODULE

GORDON®
 ARCHITECTURAL+ENGINEERED SOLUTIONS

5023 Hazel Jones Rd.
 Bossier City, LA 71111
 800.747.8954
 GORDON-INC.COM
 sales@gordon-inc.com

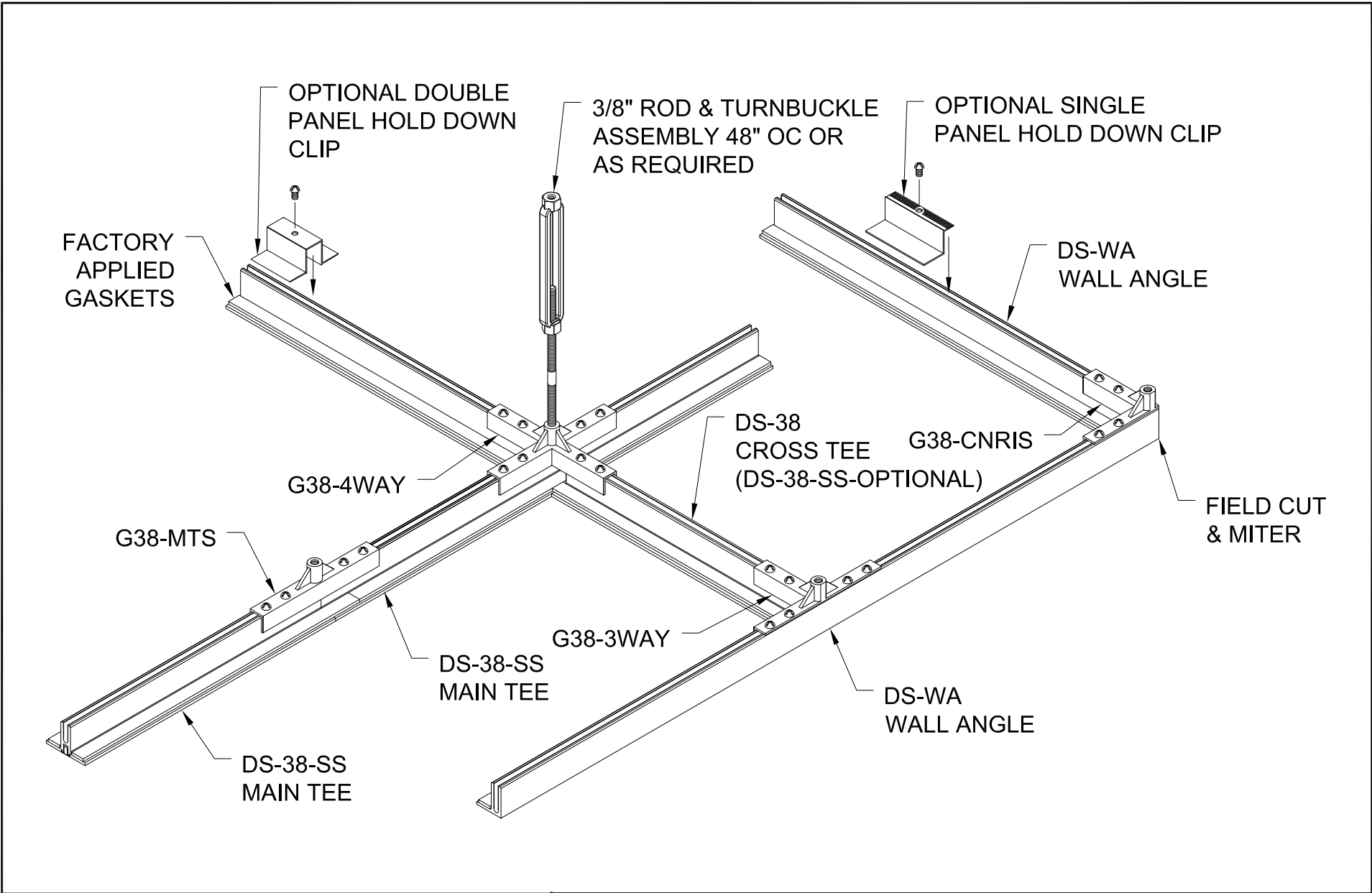
CLEANROOM CEILINGS
 SUSPENSION-GASKET SEAL-DS-38-SS
 48 1/2" / 48 1/2" GRID PLAN



GORDON®
ARCHITECTURAL+ENGINEERED SOLUTIONS

5023 Hazel Jones Rd.
Bossier City, LA 71111
800.747.8954
GORDON-INC.COM
sales@gordon-inc.com

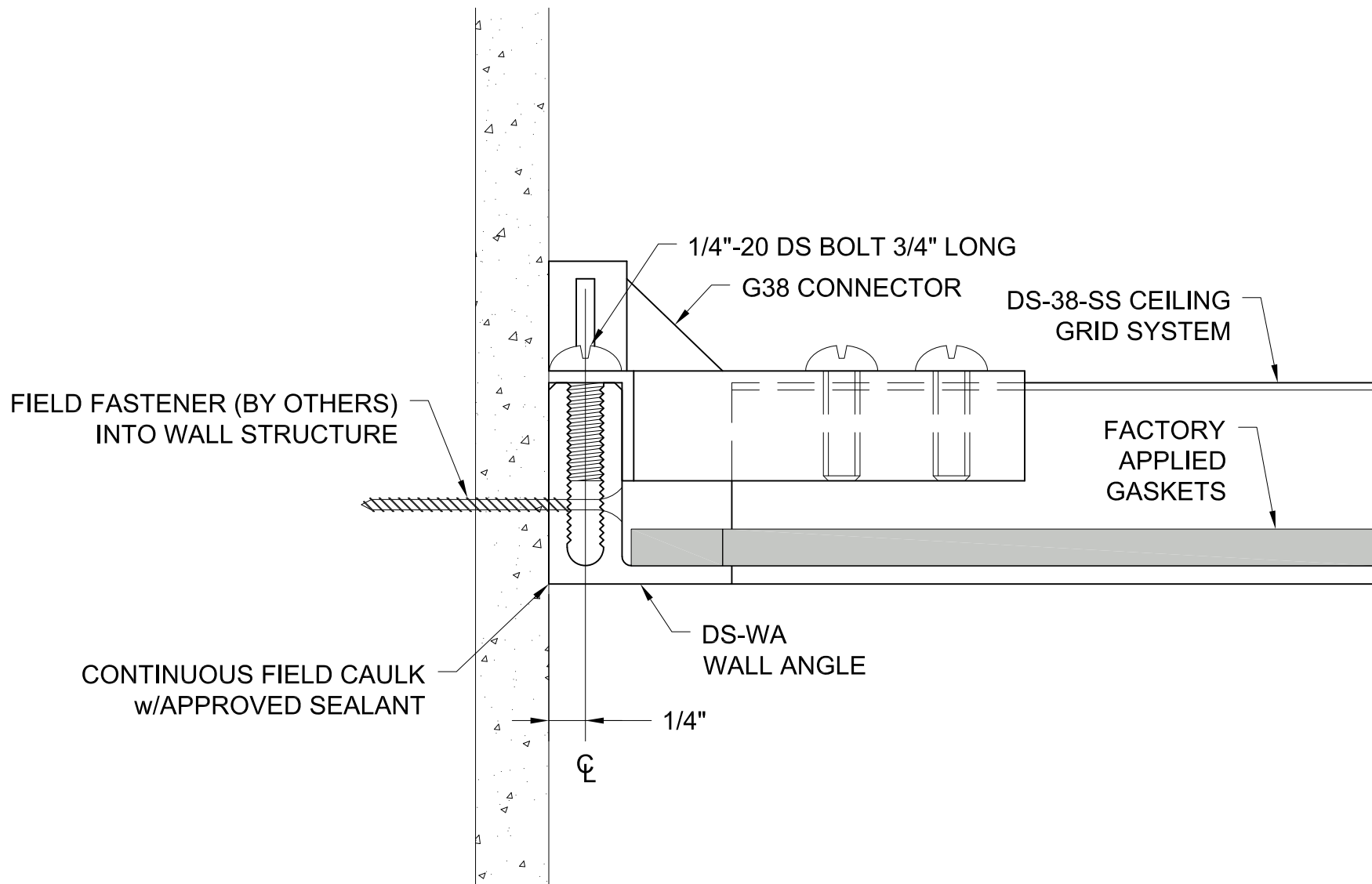
**CLEANROOM CEILINGS
SUSPENSION-GASKET SEAL-DS-38-SS
SEISMIC DETAIL**

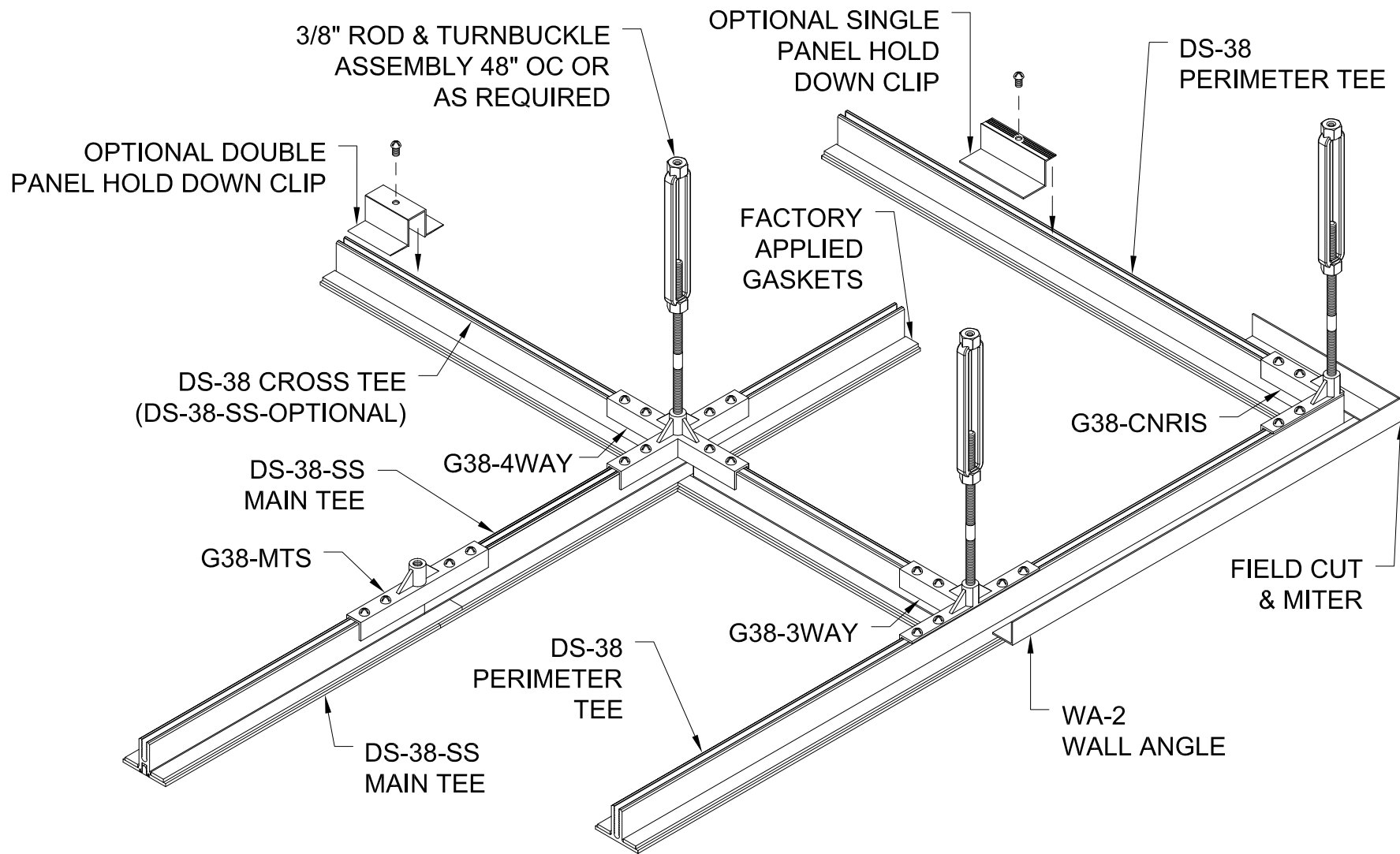


GORDON[®]
 ARCHITECTURAL+ENGINEERED SOLUTIONS

5023 Hazel Jones Rd.
 Bossier City, LA 71111
 800.747.8954
 GORDON-INC.COM
 sales@gordon-inc.com

CLEANROOM CEILINGS
 SUSPENSION-GASKET SEAL-DS-38-SS
 FIXED PERIMETER ISOMETRIC

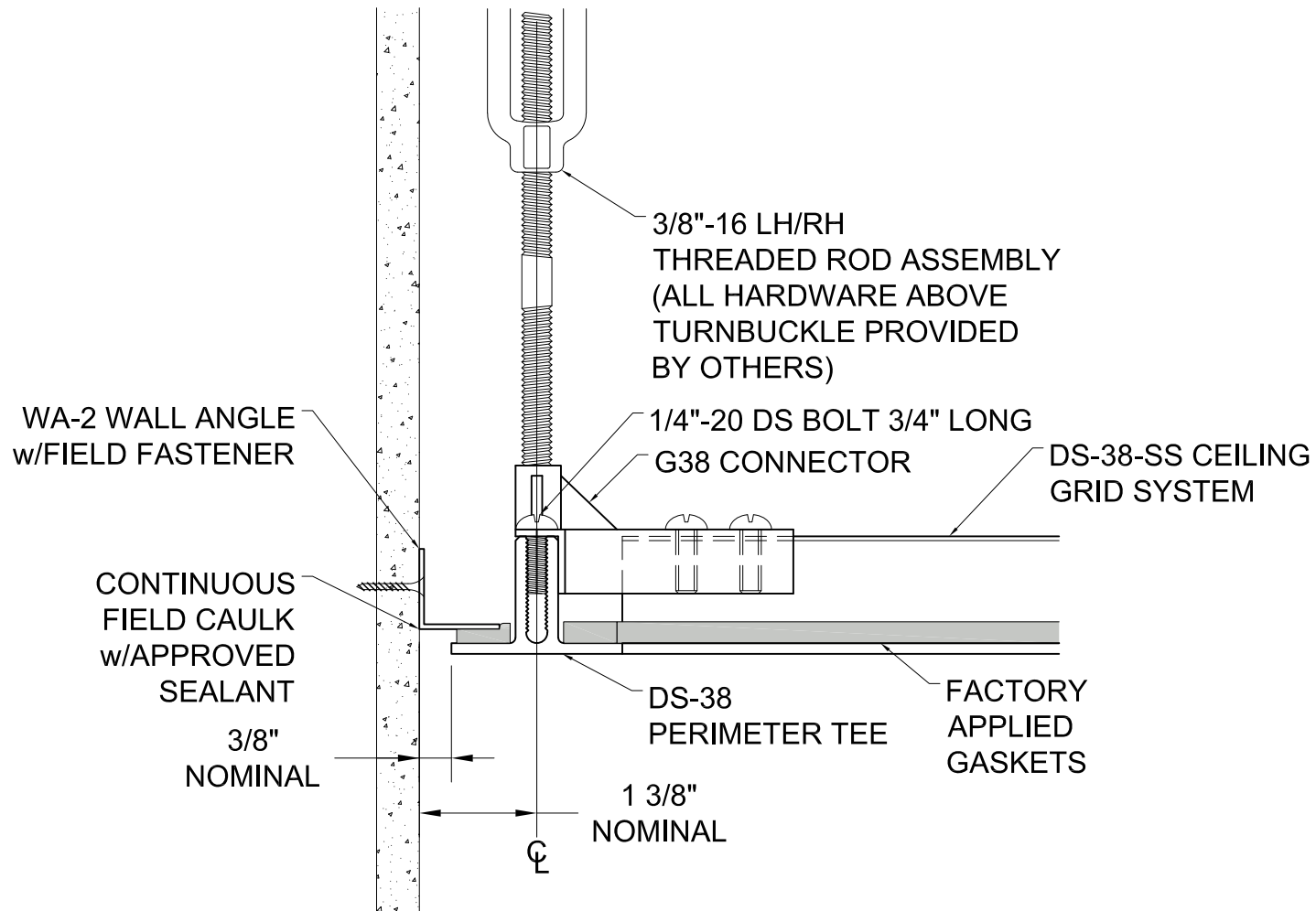


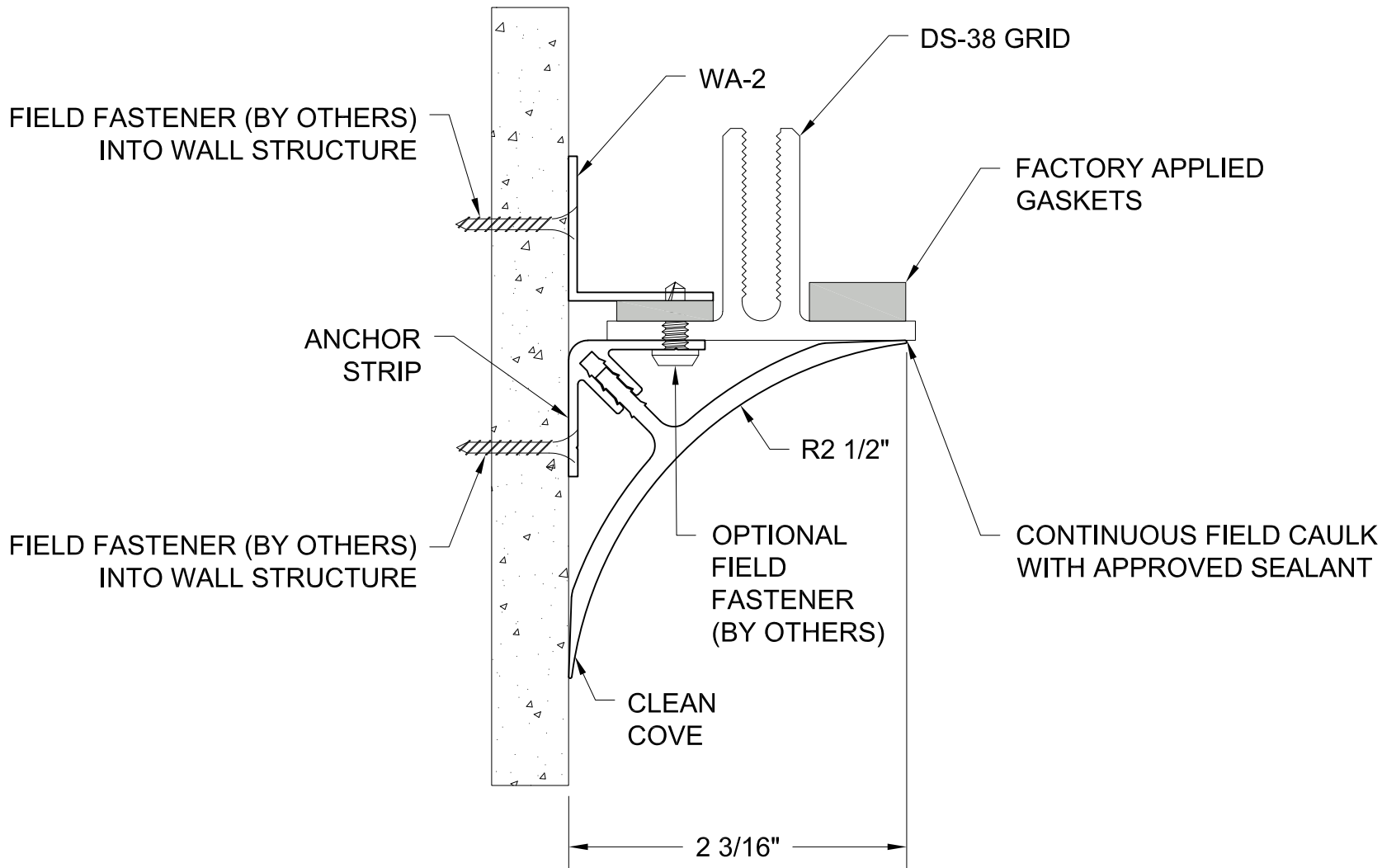


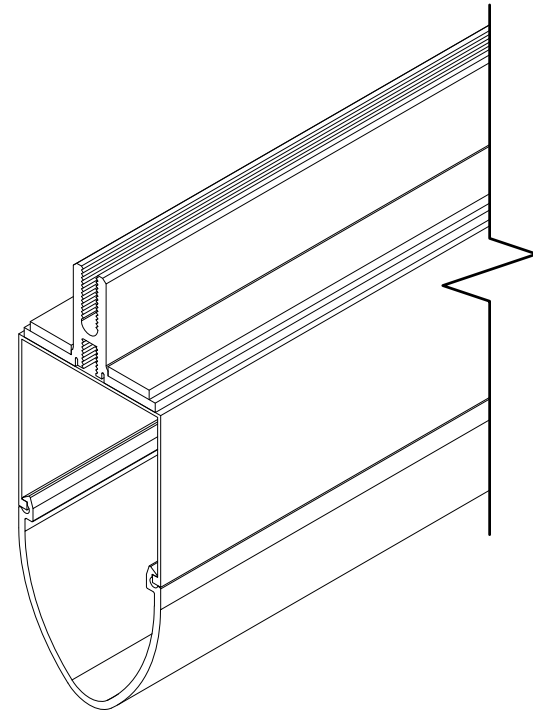
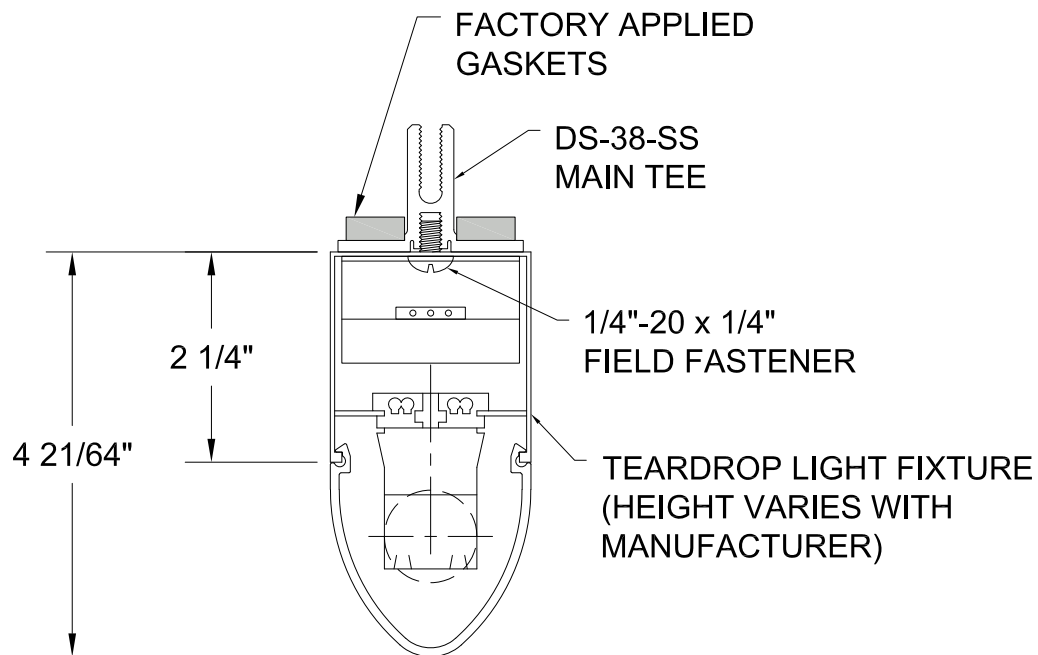
GORDON[®]
ARCHITECTURAL+ENGINEERED SOLUTIONS

5023 Hazel Jones Rd.
Bossier City, LA 71111
800.747.8954
GORDON-INC.COM
sales@gordon-inc.com

CLEANROOM CEILINGS
SUSPENSION-GASKET SEAL-DS-38-SS
FLOATING PERIMETER ISOMETRIC



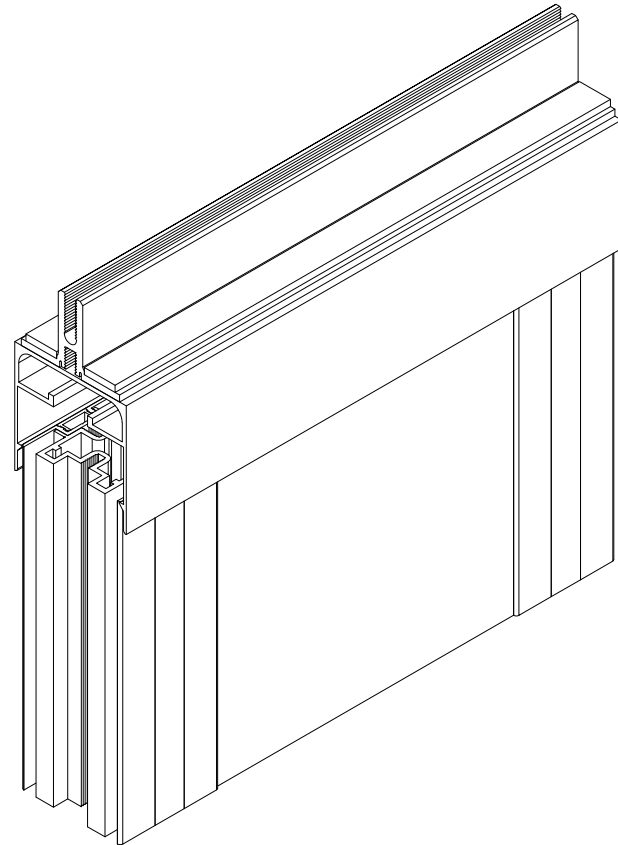
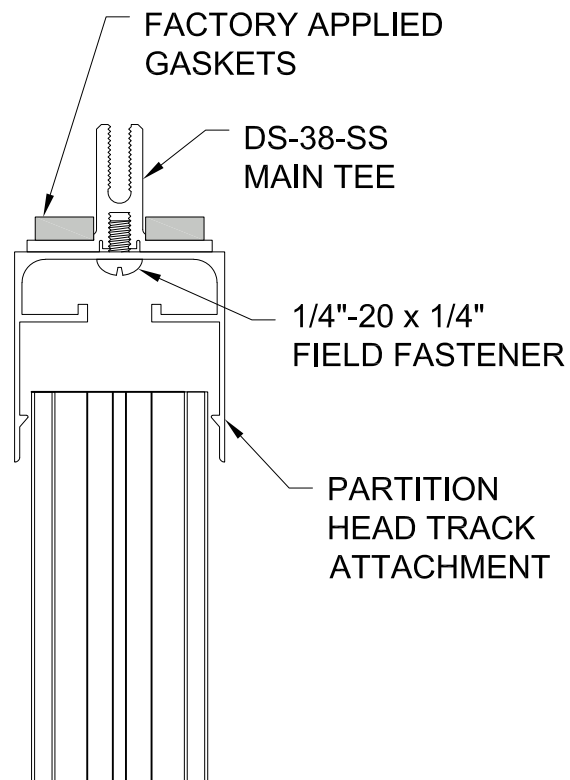




GORDON®
ARCHITECTURAL+ENGINEERED SOLUTIONS

5023 Hazel Jones Rd.
Bossier City, LA 71111
800.747.8954
GORDON-INC.COM
sales@gordon-inc.com

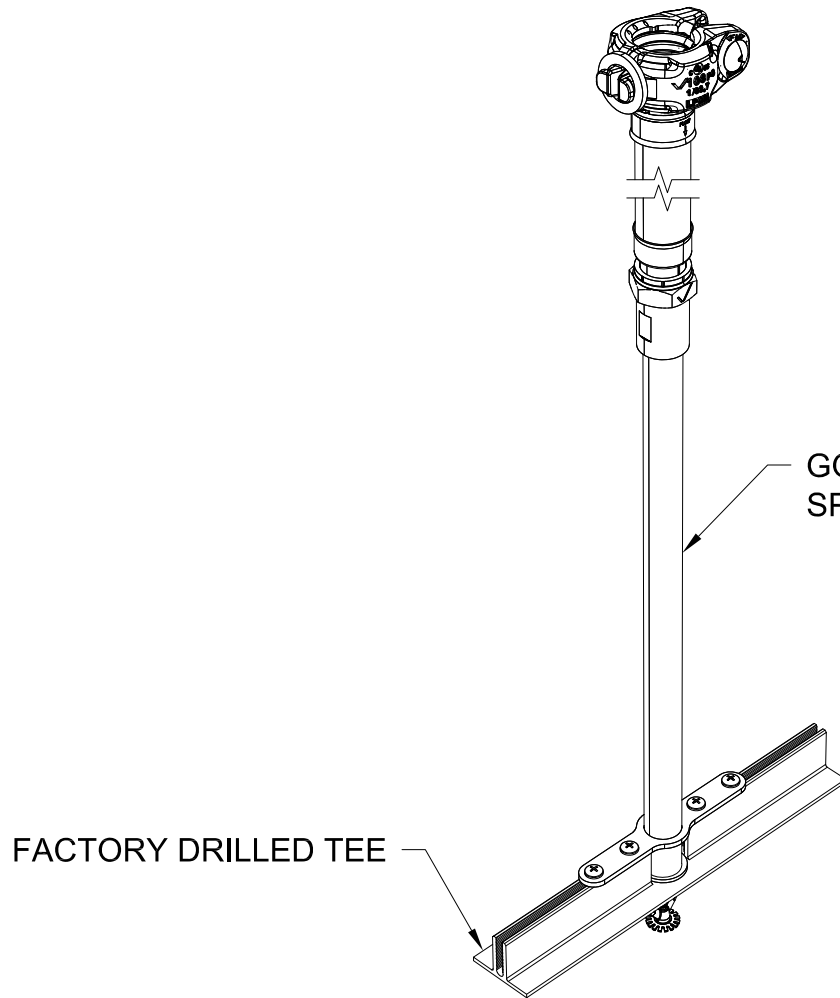
CLEANROOM CEILINGS
SUSPENSION-GASKET SEAL-DS-38-SS
TEARDROP LIGHT FIXTURE



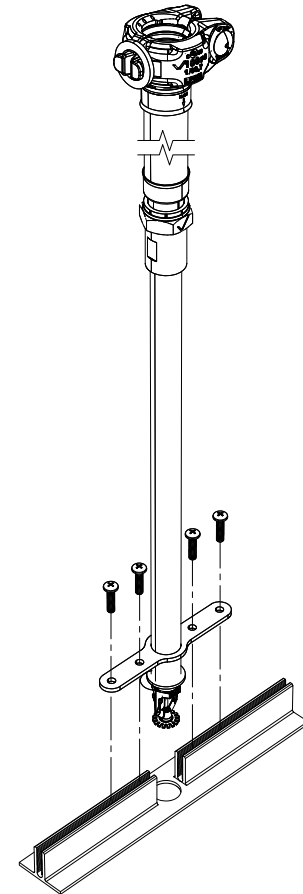
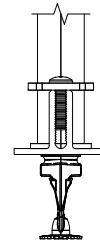
GORDON®
ARCHITECTURAL+ENGINEERED SOLUTIONS

5023 Hazel Jones Rd.
Bossier City, LA 71111
800.747.8954
GORDON-INC.COM
sales@gordon-inc.com

CLEANROOM CEILINGS
SUSPENSION-GASKET SEAL-DS-38-SS
PARTITION HEAD TRACK



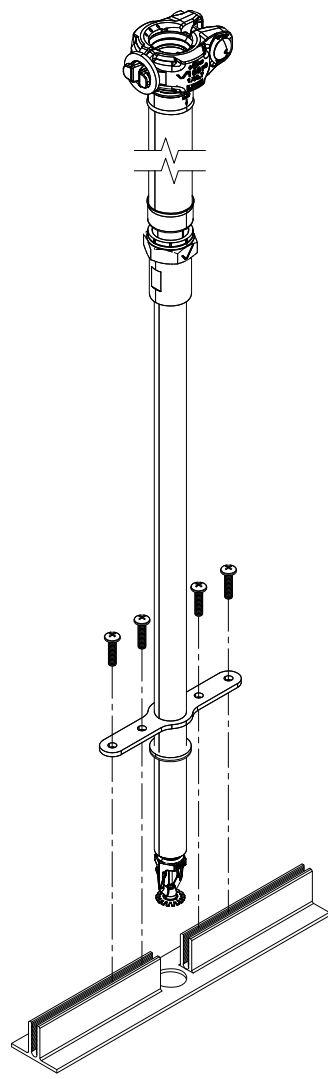
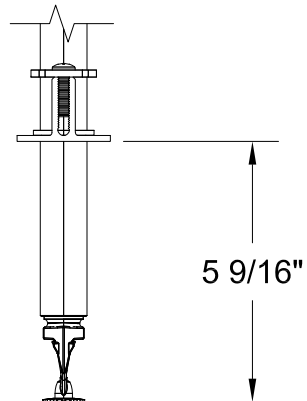
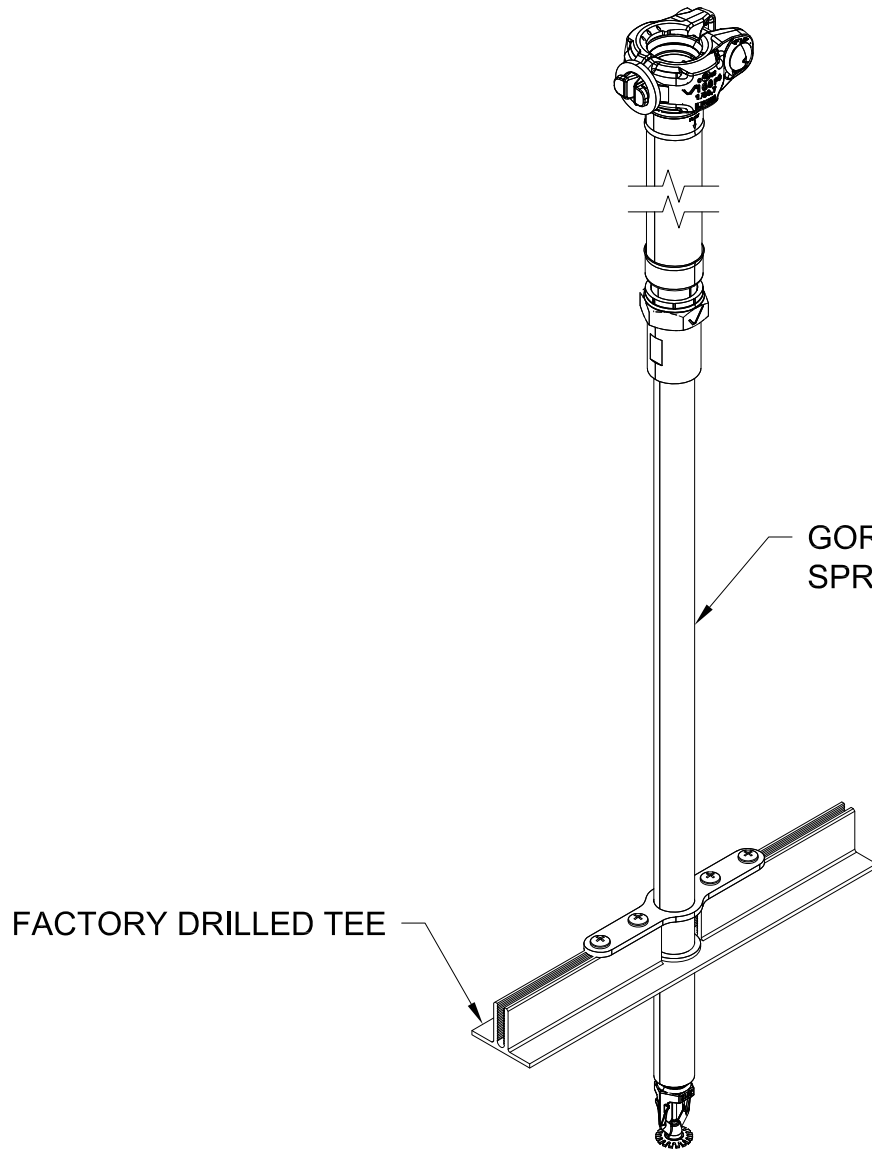
GORDON FLEXIBLE
SPRINKLER ASSEMBLY



GORDON®
ARCHITECTURAL+ENGINEERED SOLUTIONS

5023 Hazel Jones Rd.
Bossier City, LA 71111
800.747.8954
GORDON-INC.COM
sales@gordon-inc.com

CLEANROOM CEILINGS
SUSPENSION-GASKET SEAL-DS-38-SS
FLUSH SPRINKLER ASSEMBLY



GORDON®
ARCHITECTURAL+ENGINEERED SOLUTIONS

5023 Hazel Jones Rd.
Bossier City, LA 71111
800.747.8954
GORDON-INC.COM
sales@gordon-inc.com

CLEANROOM CEILINGS
SUSPENSION-GASKET SEAL-DS-38-SS
EXTENDED SPRINKLER ASSEMBLY