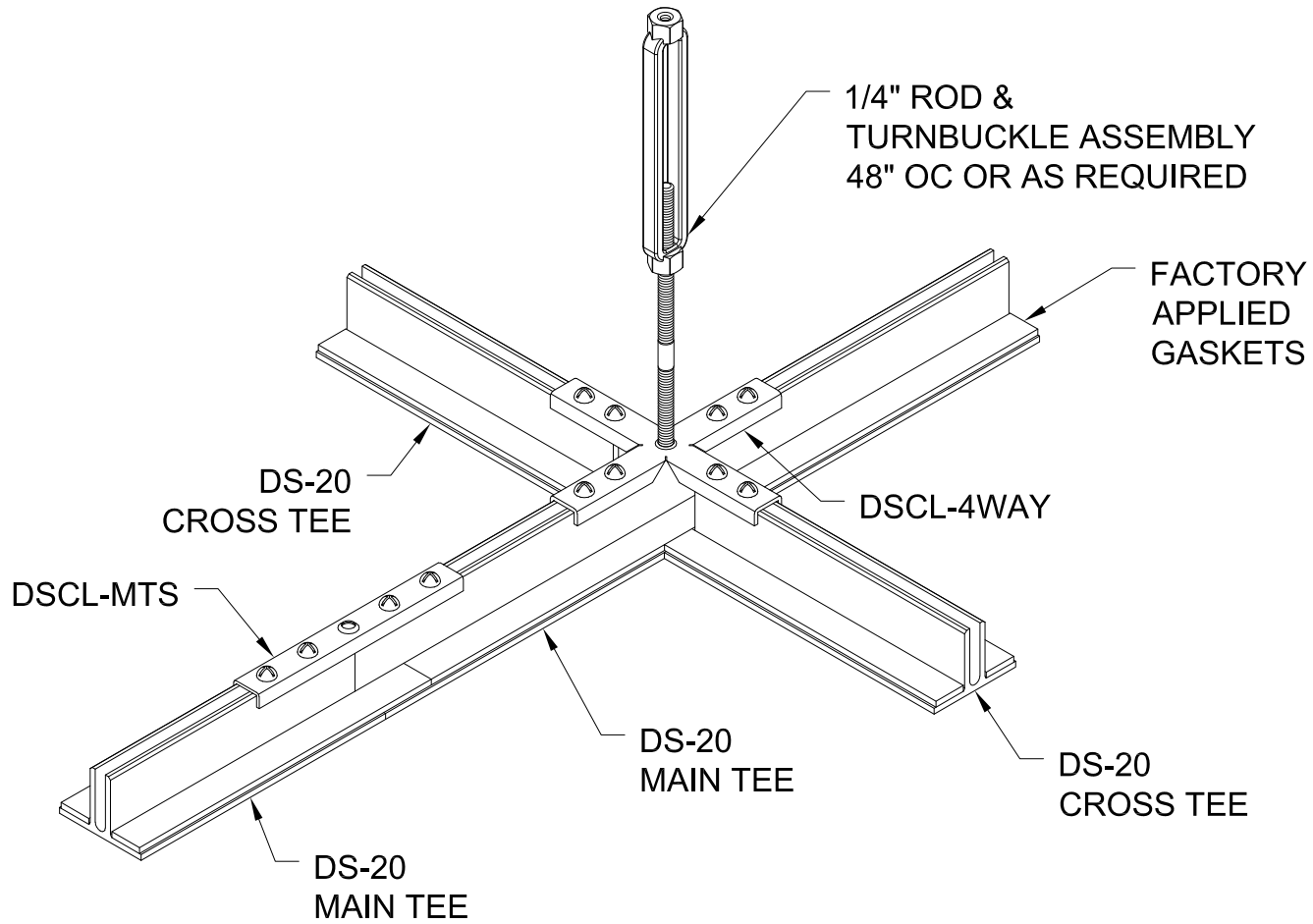


GORDON®
ARCHITECTURAL+ENGINEERED SOLUTIONS

5023 Hazel Jones Rd.
Bossier City, LA 71111
800.747.8954
GORDON-INC.COM
sales@gordon-inc.com

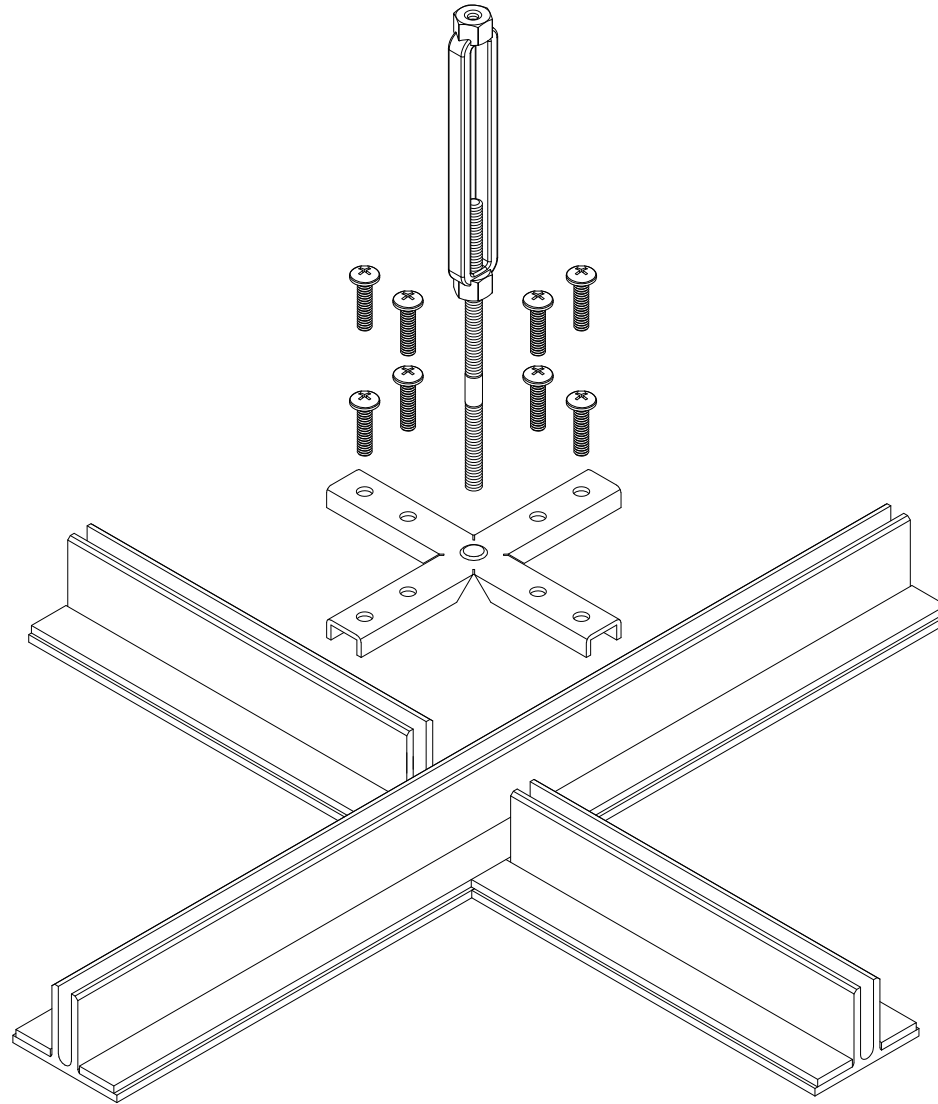
CLEANROOM CEILINGS
SUSPENSION-GASKET SEAL-DS-20
MAIN / CROSS TEE



GORDON®
ARCHITECTURAL+ENGINEERED SOLUTIONS

5023 Hazel Jones Rd.
Bossier City, LA 71111
800.747.8954
GORDON-INC.COM
sales@gordon-inc.com

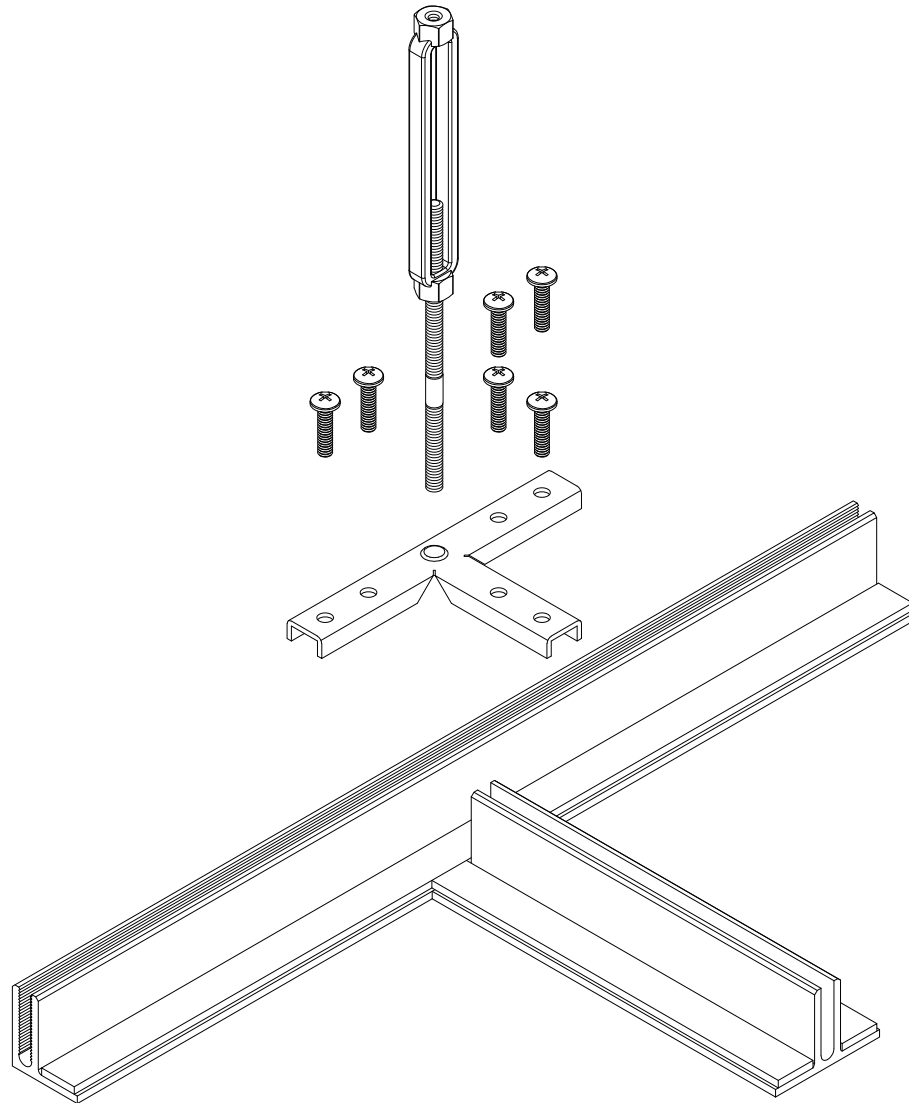
CLEANROOM CEILINGS
SUSPENSION-GASKET SEAL-DS-20
GRID ISOMETRIC



GORDON®
ARCHITECTURAL+ENGINEERED SOLUTIONS

5023 Hazel Jones Rd.
Bossier City, LA 71111
800.747.8954
GORDON-INC.COM
sales@gordon-inc.com

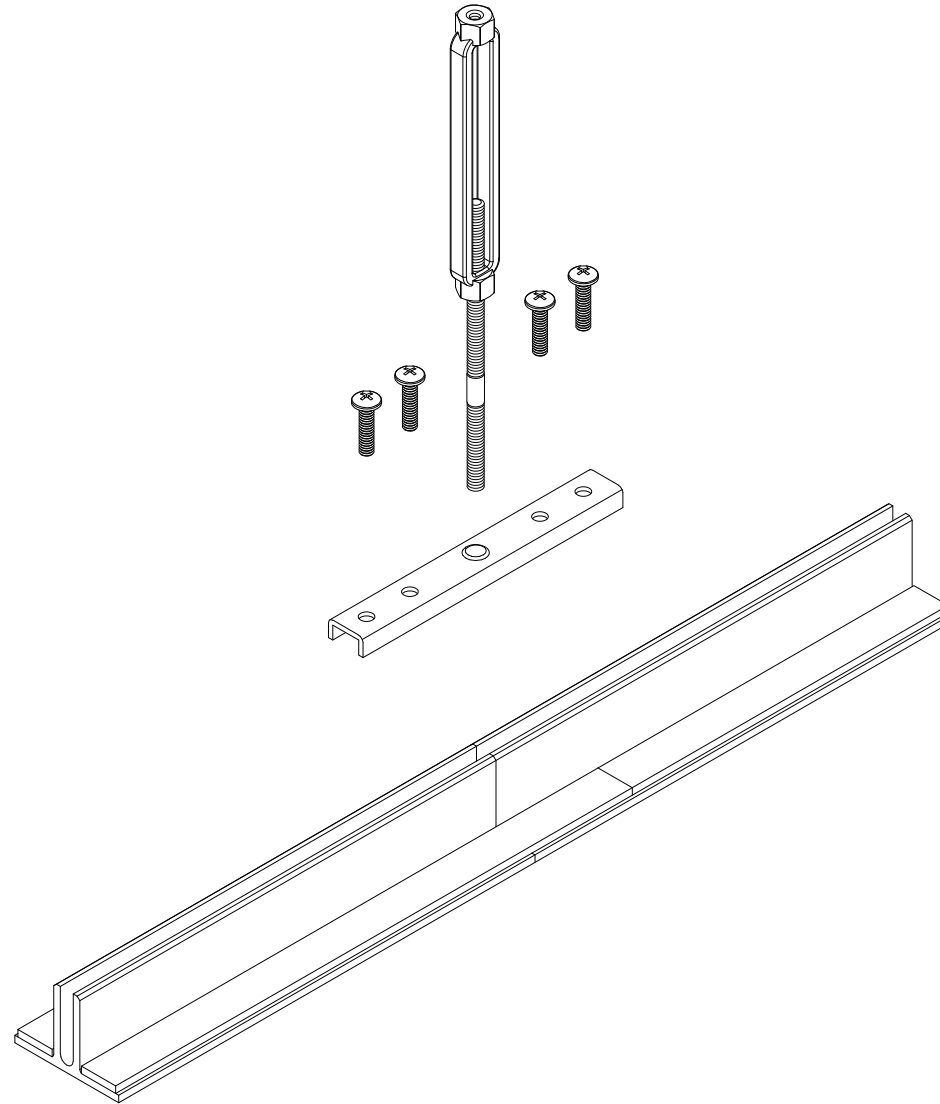
CLEANROOM CEILINGS
SUSPENSION-GASKET SEAL-DS-20
4-WAY CONNECTOR



GORDON®
ARCHITECTURAL+ENGINEERED SOLUTIONS

5023 Hazel Jones Rd.
Bossier City, LA 71111
800.747.8954
GORDON-INC.COM
sales@gordon-inc.com

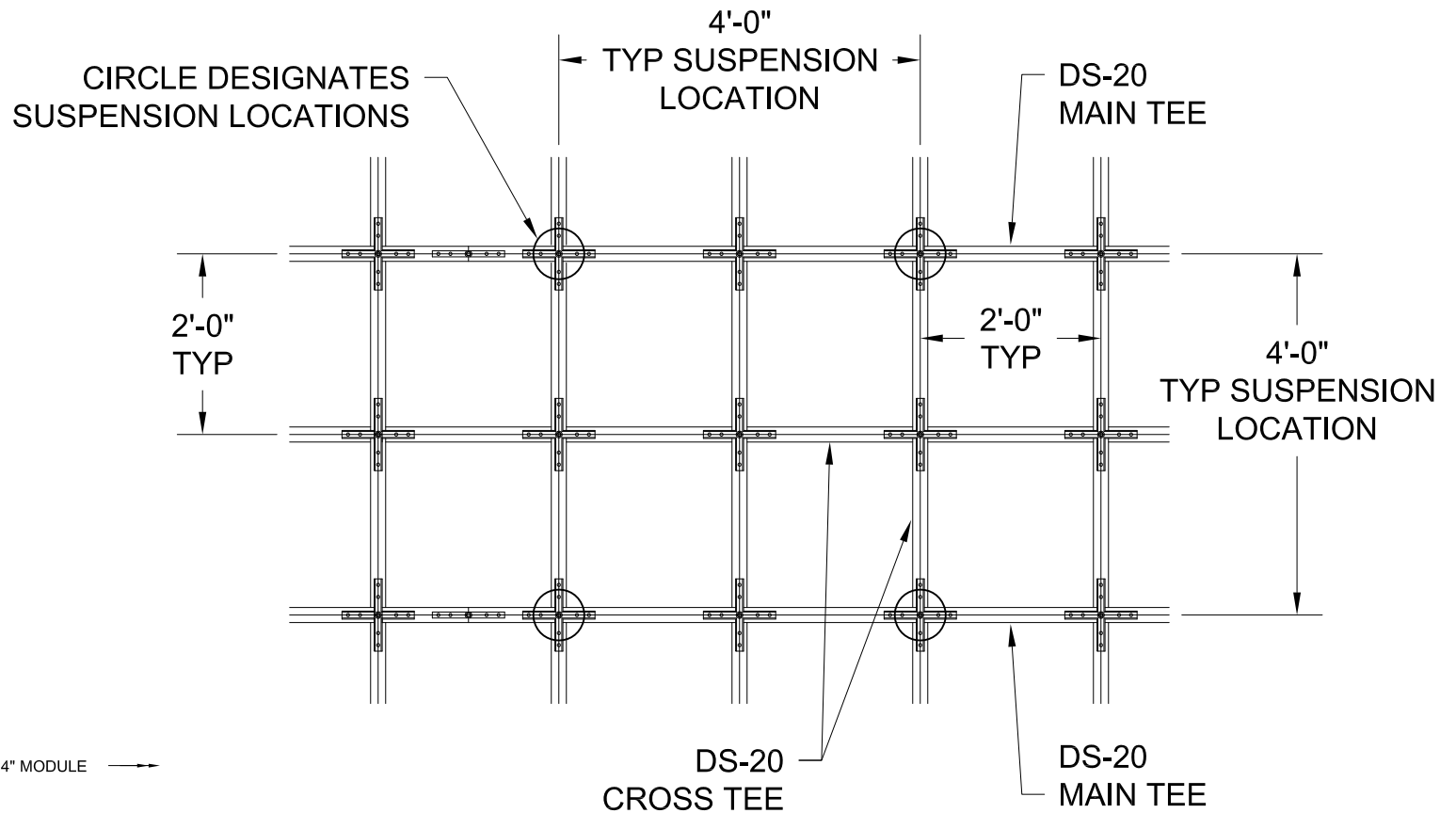
CLEANROOM CEILINGS
SUSPENSION-GASKET SEAL-DS-20
3-WAY CONNECTOR



GORDON®
ARCHITECTURAL+ENGINEERED SOLUTIONS

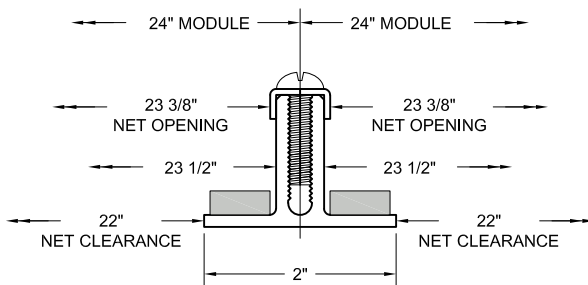
5023 Hazel Jones Rd.
Bossier City, LA 71111
800.747.8954
GORDON-INC.COM
sales@gordon-inc.com

CLEANROOM CEILINGS
SUSPENSION-GASKET SEAL-DS-20
MTS CONNECTOR



TYPICAL GRID PLAN

CONTACT GORDON CLEANROOM PRODUCTS DIVISION
FOR INFORMATION ON PANEL OPTIONS SIZED TO FIT THIS GRID MODULE

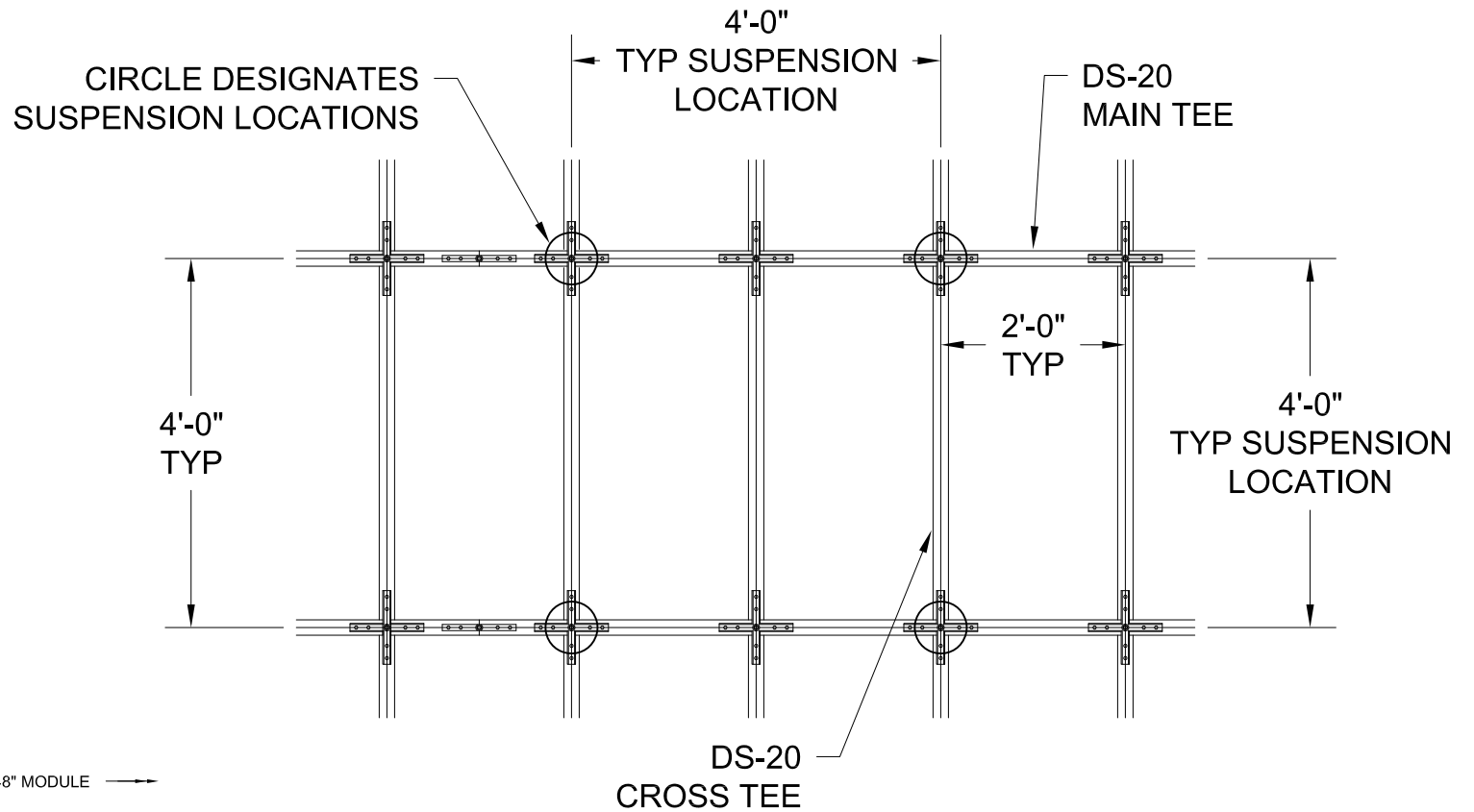


MODULE SIZING (NOT TO SCALE)
FILTERS/FIXTURES DIMENSIONS
ARE TYPICALLY MODULE SIZE LESS 7/8" (MAXIMUM O.D.)

GORDON® ARCHITECTURAL+ENGINEERED SOLUTIONS

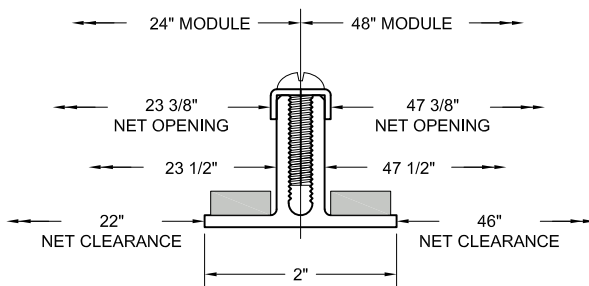
5023 Hazel Jones Rd.
Bossier City, LA 71111
800.747.8954
GORDON-INC.COM
sales@gordon-inc.com

CLEANROOM CEILINGS
SUSPENSION-GASKET SEAL-DS-20
24" / 24" GRID PLAN



TYPICAL GRID PLAN

CONTACT GORDON CLEANROOM PRODUCTS DIVISION
FOR INFORMATION ON PANEL OPTIONS SIZED TO FIT THIS GRID MODULE

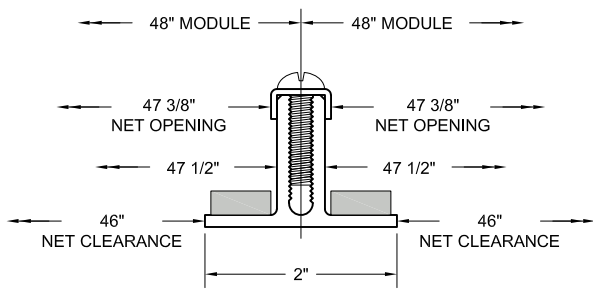
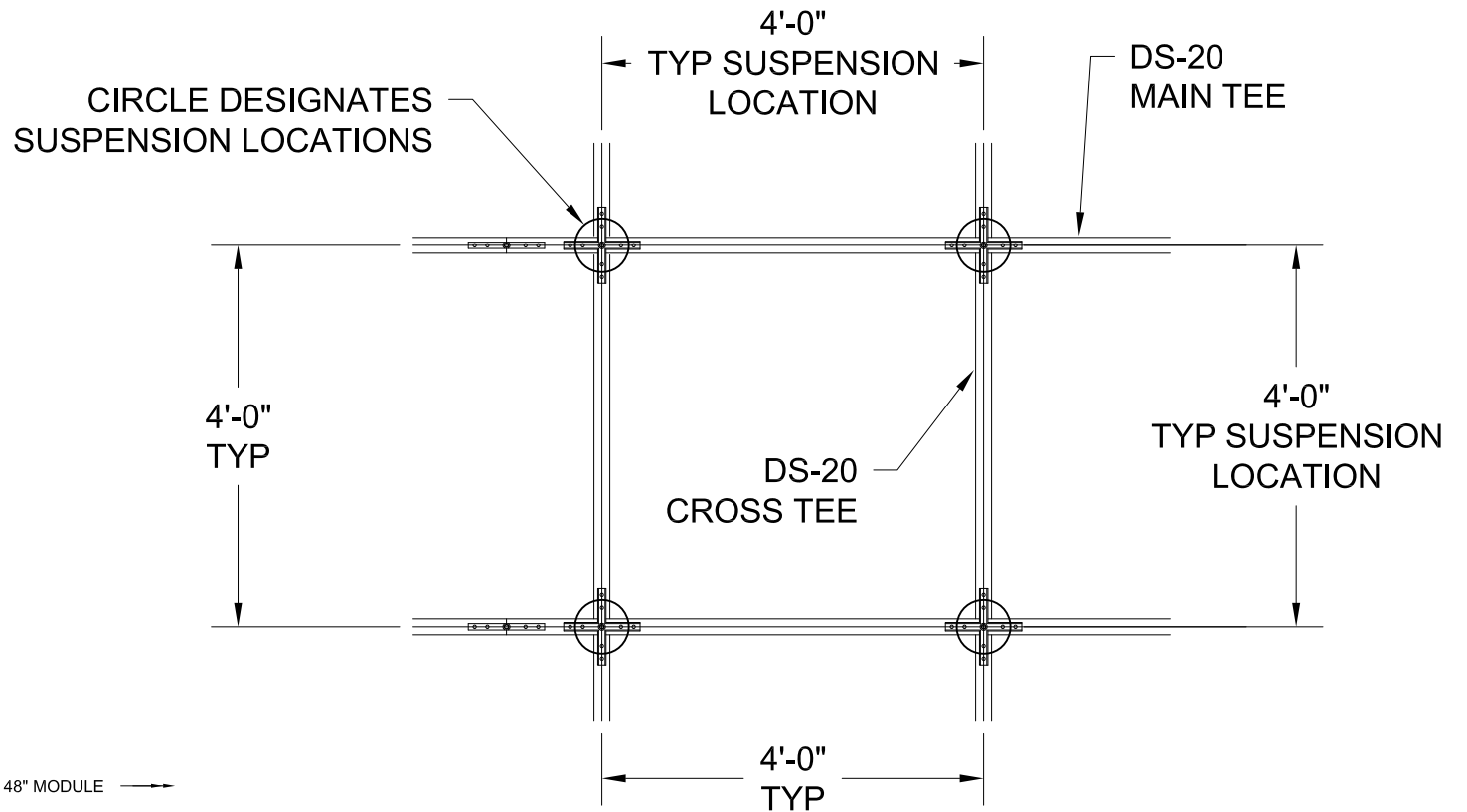


MODULE SIZING (NOT TO SCALE)
FILTERS/FIXTURES DIMENSIONS
ARE TYPICALLY MODULE SIZE LESS 7/8" (MAXIMUM O.D.)

GORDON®
ARCHITECTURAL+ENGINEERED SOLUTIONS

5023 Hazel Jones Rd.
Bossier City, LA 71111
800.747.8954
GORDON-INC.COM
sales@gordon-inc.com

CLEANROOM CEILINGS
SUSPENSION-GASKET SEAL-DS-20
24" / 48" GRID PLAN



MODULE SIZING (NOT TO SCALE)
 FILTERS/FIXTURES DIMENSIONS
 ARE TYPICALLY MODULE SIZE LESS 7/8" (MAXIMUM O.D.)

TYPICAL GRID PLAN

CONTACT GORDON CLEANROOM PRODUCTS DIVISION
 FOR INFORMATION ON PANEL OPTIONS SIZED TO FIT THIS GRID MODULE

GORDON ARCHITECTURAL+ENGINEERED SOLUTIONS

© 5023 Hazel Jones Rd.
 Bossier City, LA 71111
 800.747.8954
 GORDON-INC.COM
 sales@gordon-inc.com

CLEANROOM CEILINGS
 SUSPENSION-GASKET SEAL-DS-20
 48" / 48" GRID PLAN

CIRCLE DESIGNATES
SUSPENSION LOCATIONS

4'-1"
TYP SUSPENSION
LOCATION

DS-20
MAIN TEE

2'-0 1/2"
TYP

2'-0 1/2"
TYP

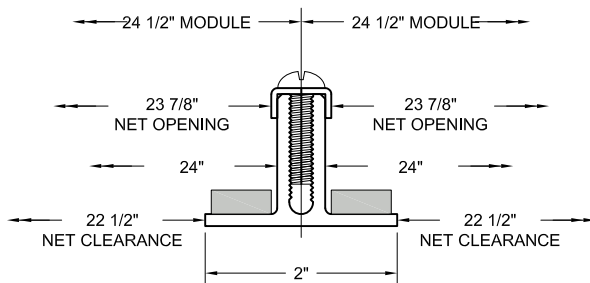
4'-1"
TYP SUSPENSION
LOCATION

DS-20
CROSS TEE

DS-20
MAIN TEE

TYPICAL GRID PLAN

CONTACT GORDON CLEANROOM PRODUCTS DIVISION
FOR INFORMATION ON PANEL OPTIONS SIZED TO FIT THIS GRID MODULE

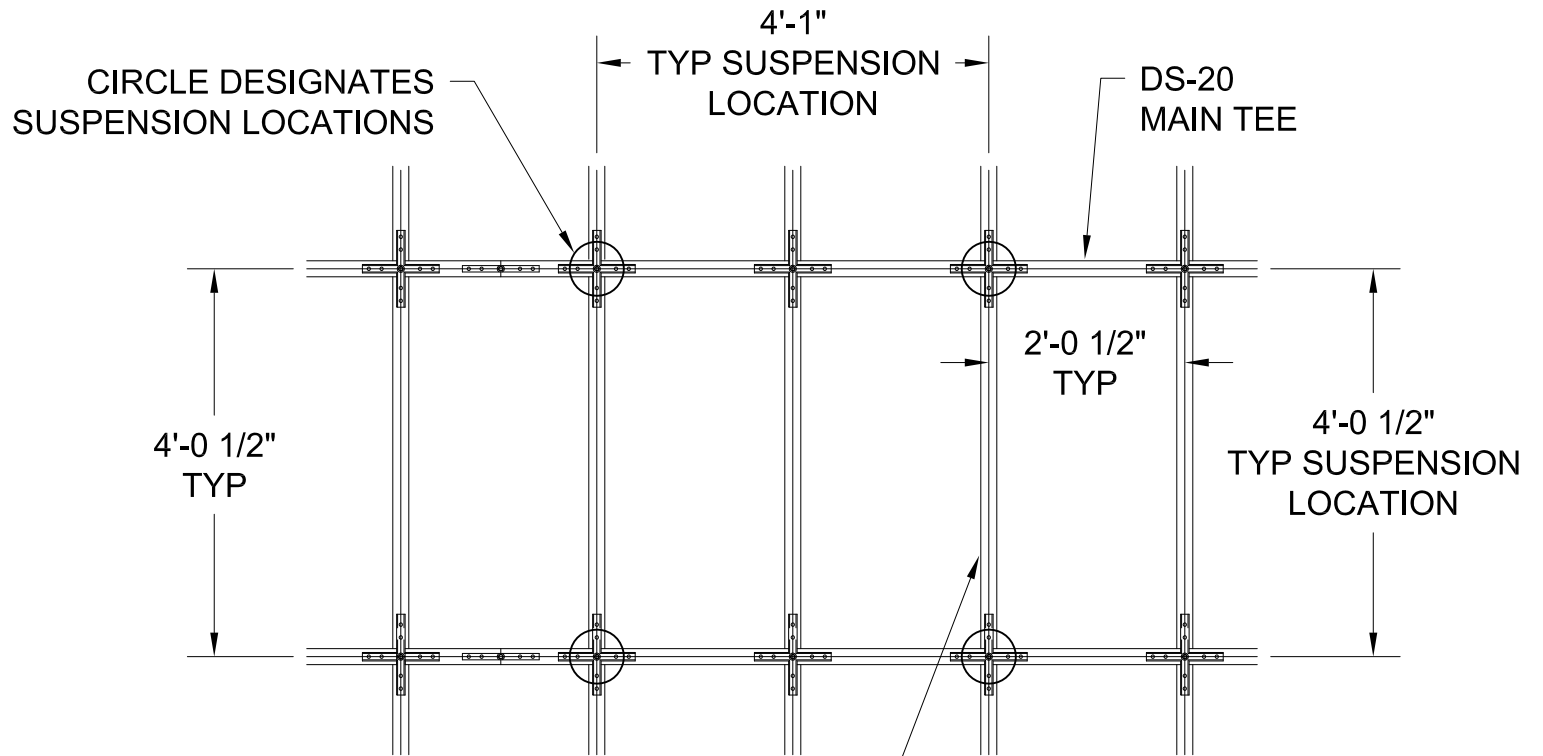


MODULE SIZING (NOT TO SCALE)
FILTERS/FIXTURES DIMENSIONS
ARE TYPICALLY MODULE SIZE LESS 7/8" (MAXIMUM O.D.)

GORDON®
ARCHITECTURAL+ENGINEERED SOLUTIONS

5023 Hazel Jones Rd.
Bossier City, LA 71111
800.747.8954
GORDON-INC.COM
sales@gordon-inc.com

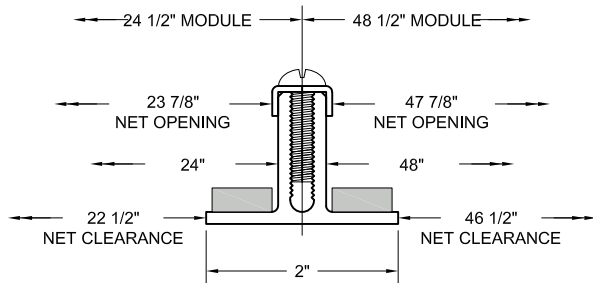
CLEANROOM CEILINGS
SUSPENSION-GASKET SEAL-DS-20
24 1/2" / 24 1/2" GRID PLAN



DS-20
CROSS TEE

TYPICAL GRID PLAN

CONTACT GORDON CLEANROOM PRODUCTS DIVISION
FOR INFORMATION ON PANEL OPTIONS SIZED TO FIT THIS GRID MODULE

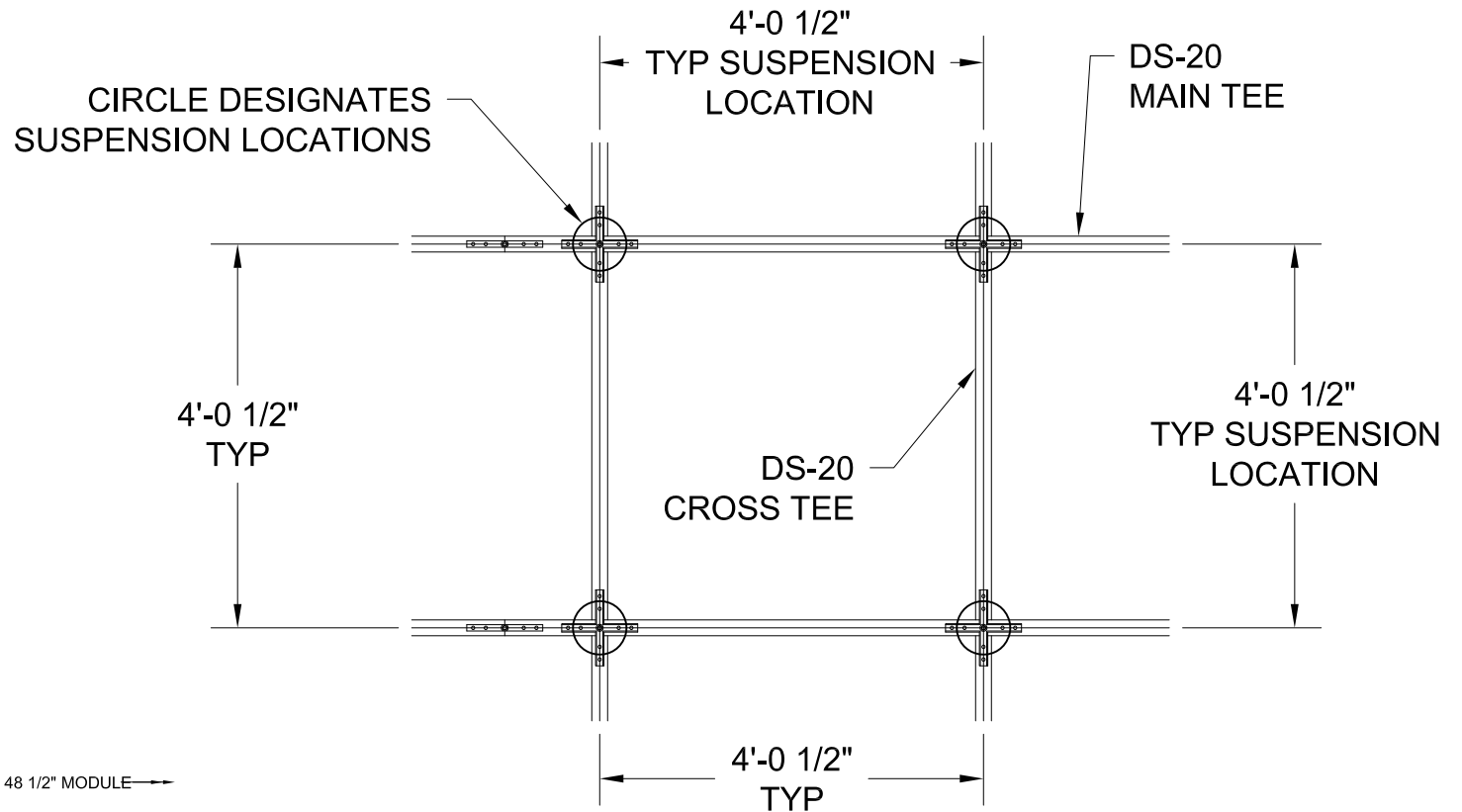


MODULE SIZING (NOT TO SCALE)
FILTERS/FIXTURES DIMENSIONS
ARE TYPICALLY MODULE SIZE LESS 7/8" (MAXIMUM O.D.)

GORDON®
ARCHITECTURAL+ENGINEERED SOLUTIONS

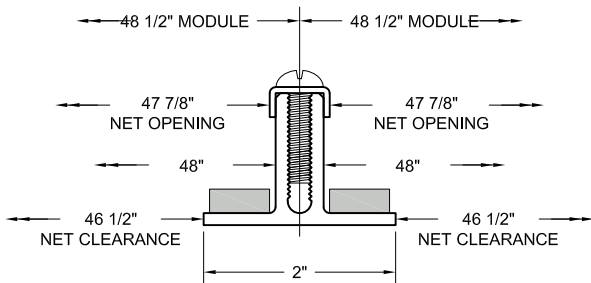
5023 Hazel Jones Rd.
Bossier City, LA 71111
800.747.8954
GORDON-INC.COM
sales@gordon-inc.com

CLEANROOM CEILINGS
SUSPENSION-GASKET SEAL-DS-20
24 1/2" / 48 1/2" GRID PLAN



TYPICAL GRID PLAN

CONTACT GORDON CLEANROOM PRODUCTS DIVISION
FOR INFORMATION ON PANEL OPTIONS SIZED TO FIT THIS GRID MODULE

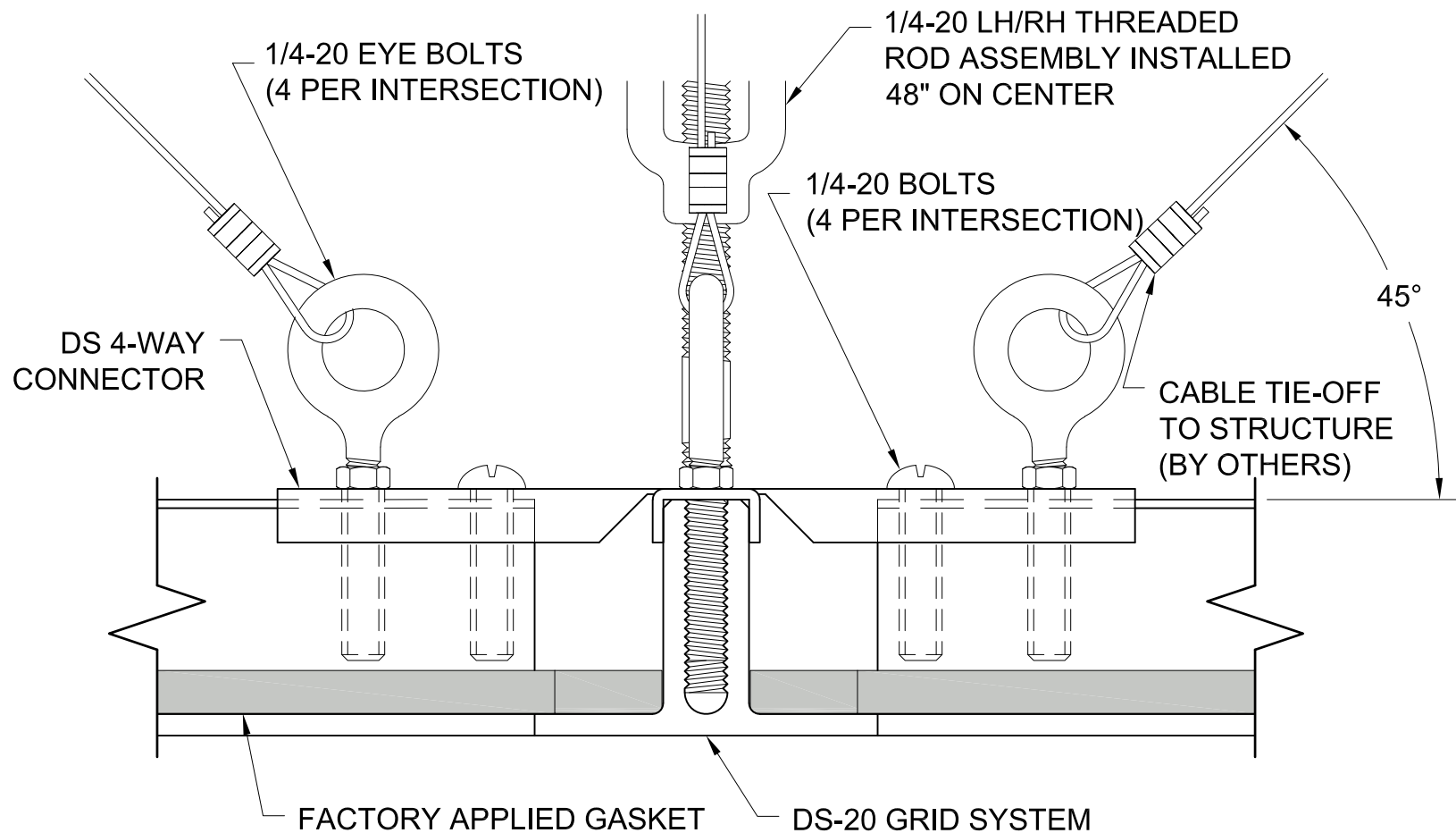


MODULE SIZING (NOT TO SCALE)
FILTERS/FIXTURES DIMENSIONS
ARE TYPICALLY MODULE SIZE LESS 7/8" (MAXIMUM O.D.)

GORDON®
ARCHITECTURAL+ENGINEERED SOLUTIONS

5023 Hazel Jones Rd.
Bossier City, LA 71111
800.747.8954
GORDON-INC.COM
sales@gordon-inc.com

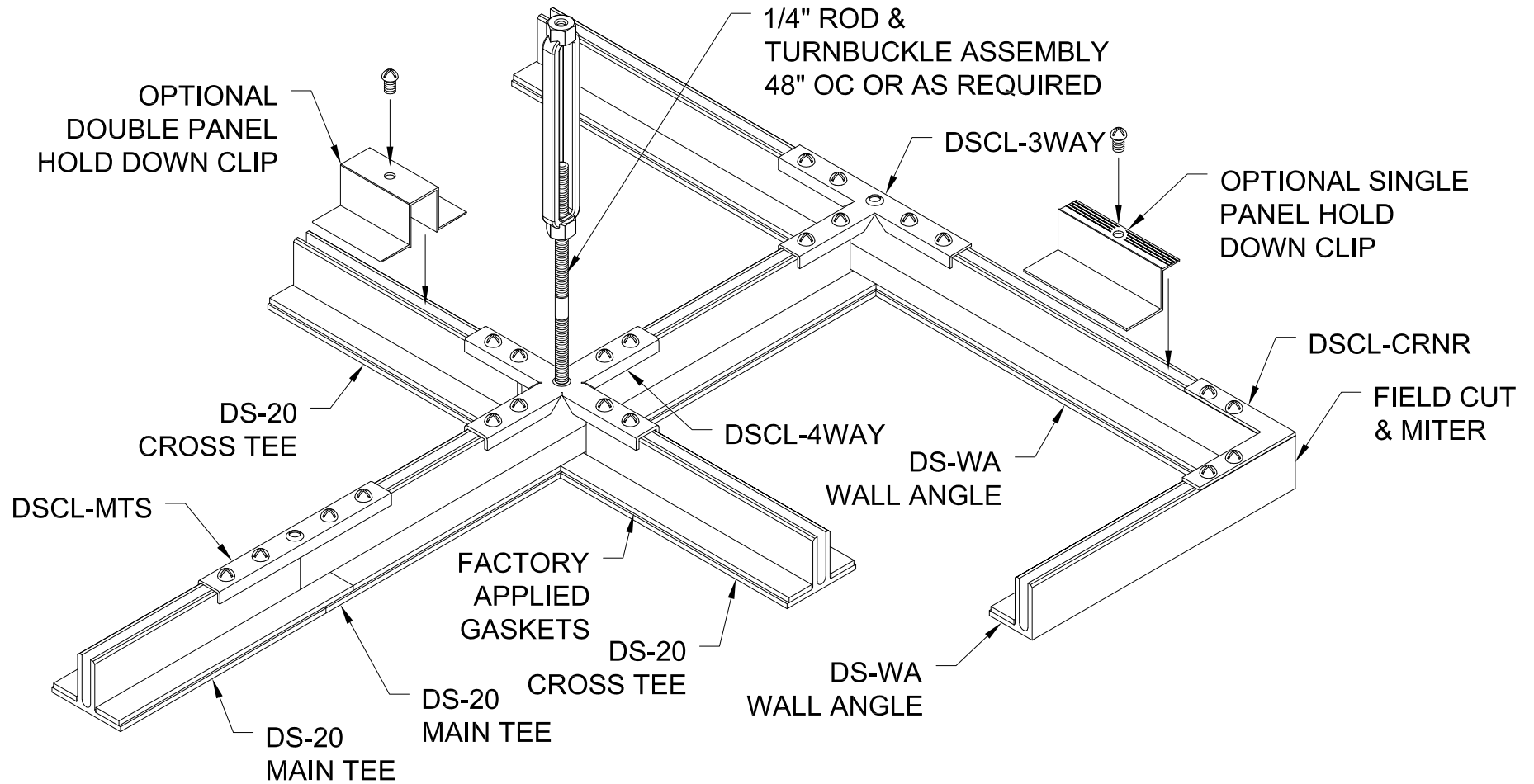
CLEANROOM CEILINGS
SUSPENSION-GASKET SEAL-DS-20
48 1/2" / 48 1/2" GRID PLAN



GORDON®
ARCHITECTURAL+ENGINEERED SOLUTIONS

5023 Hazel Jones Rd.
Bossier City, LA 71111
800.747.8954
GORDON-INC.COM
sales@gordon-inc.com

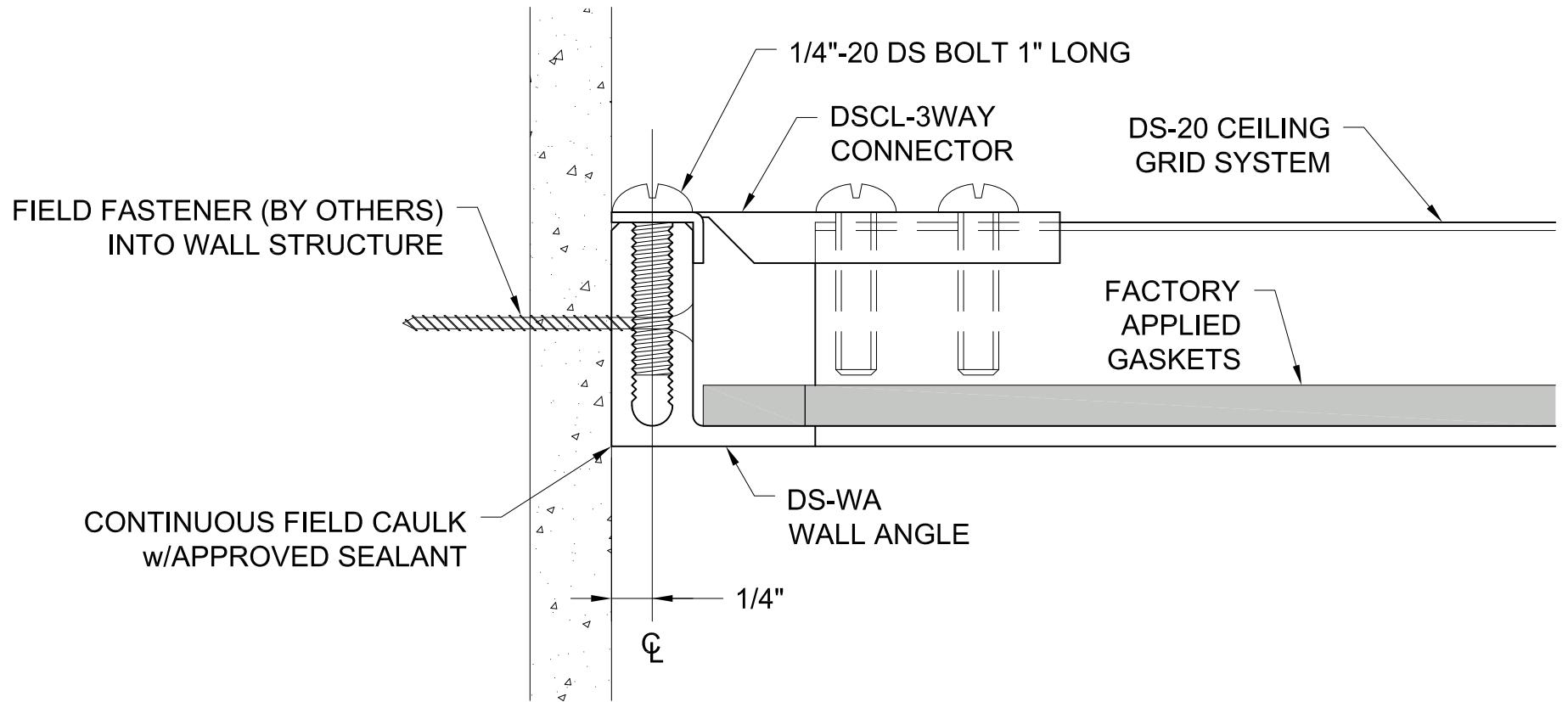
CLEANROOM CEILINGS
SUSPENSION-GASKET SEAL-DS-20
SEISMIC DETAIL



GORDON®
ARCHITECTURAL+ENGINEERED SOLUTIONS

5023 Hazel Jones Rd.
Bossier City, LA 71111
800.747.8954
GORDON-INC.COM
sales@gordon-inc.com

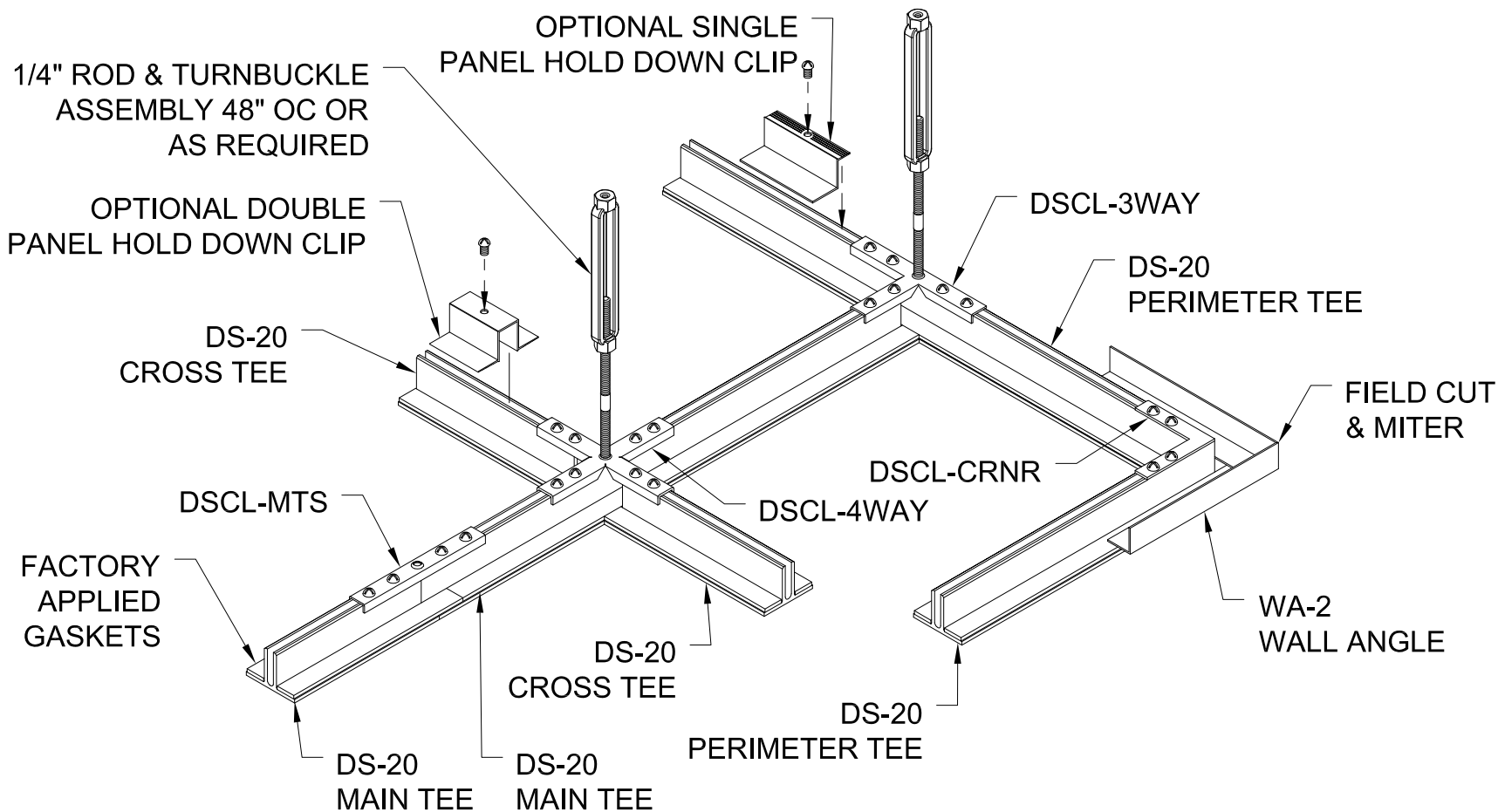
CLEANROOM CEILINGS
SUSPENSION-GASKET SEAL-DS-20
FIXED PERIMETER ISOMETRIC



GORDON®
ARCHITECTURAL+ENGINEERED SOLUTIONS

5023 Hazel Jones Rd.
Bossier City, LA 71111
800.747.8954
GORDON-INC.COM
sales@gordon-inc.com

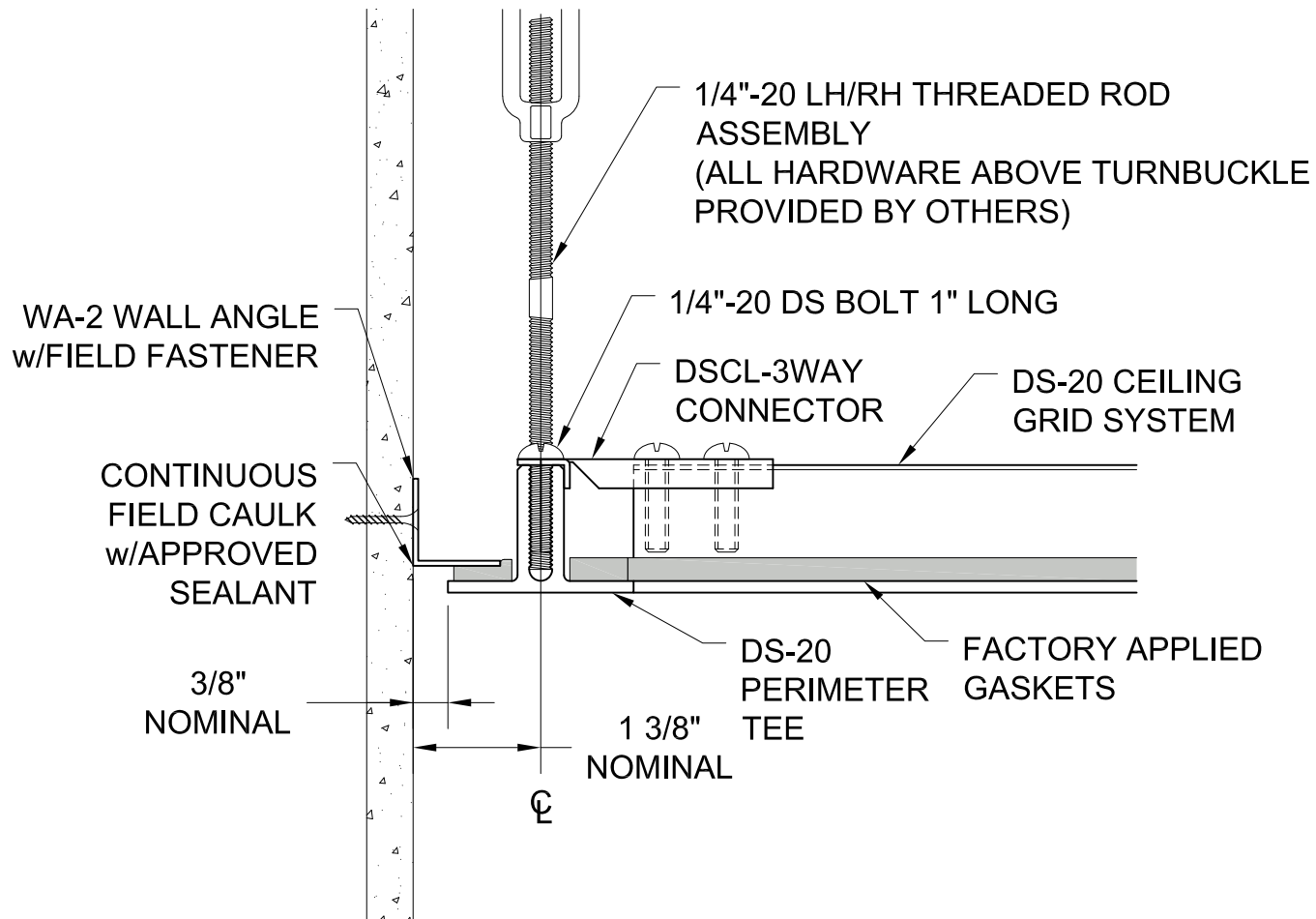
CLEANROOM CEILINGS
SUSPENSION-GASKET SEAL-DS-20
FIXED PERIMETER SECTION

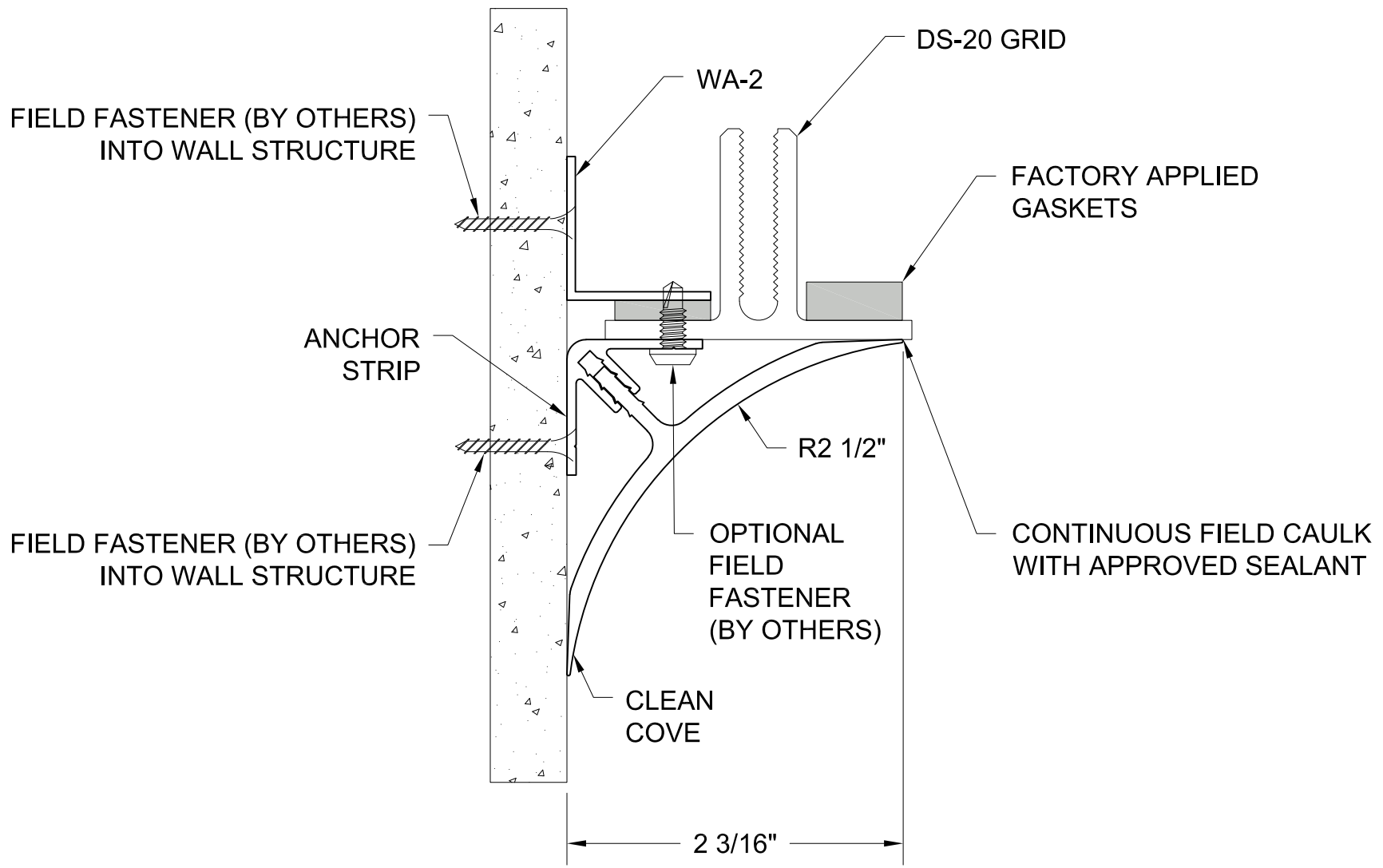


GORDON®
ARCHITECTURAL+ENGINEERED SOLUTIONS

5023 Hazel Jones Rd.
Bossier City, LA 71111
800.747.8954
GORDON-INC.COM
sales@gordon-inc.com

CLEANROOM CEILINGS
SUSPENSION-GASKET SEAL-DS-20
FLOATING PERIMETER ISOMETRIC

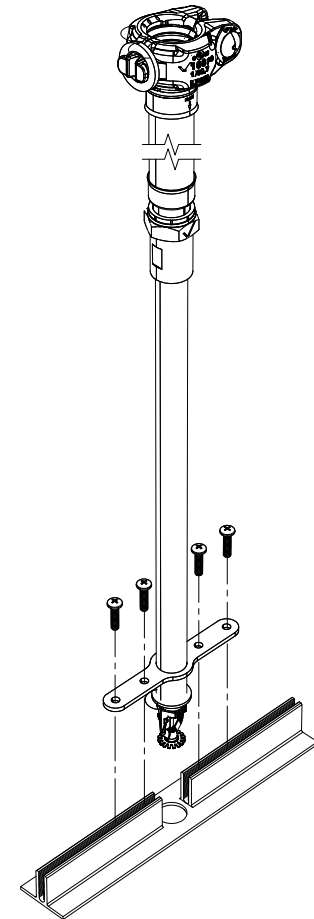
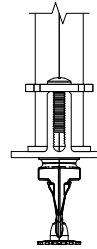
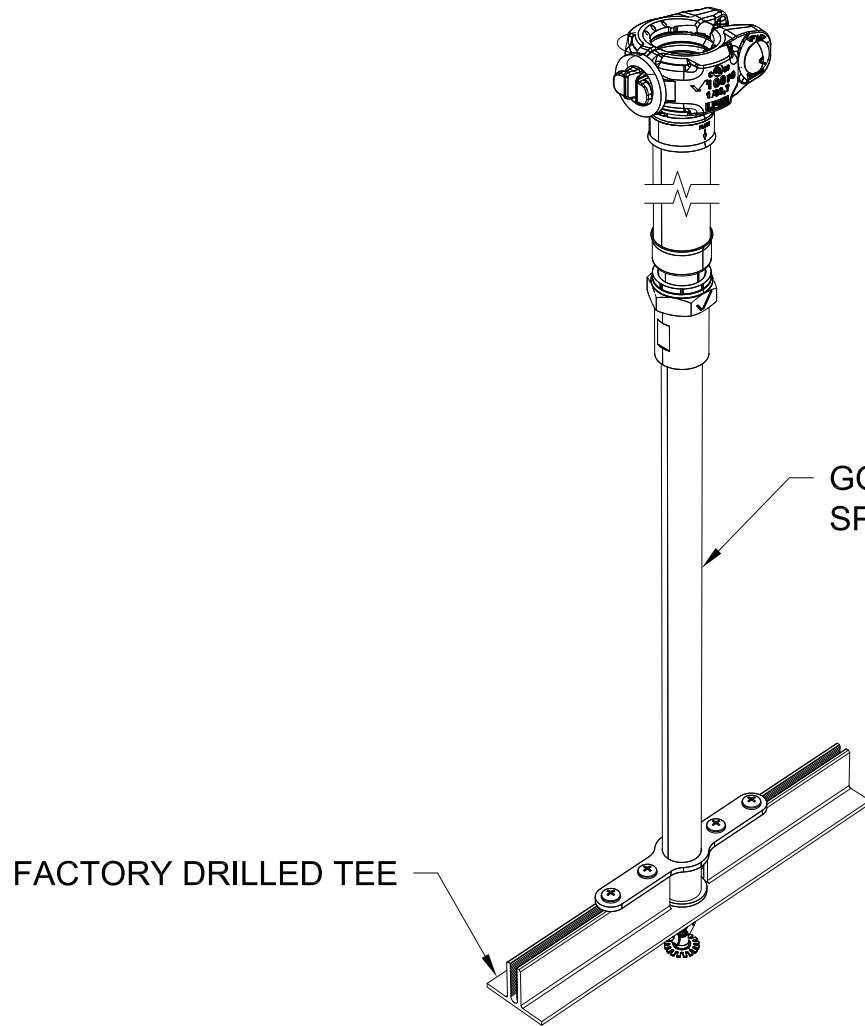




GORDON
ARCHITECTURAL+ENGINEERED SOLUTIONS

5023 Hazel Jones Rd.
Bossier City, LA 71111
800.747.8954
GORDON-INC.COM
sales@gordon-inc.com

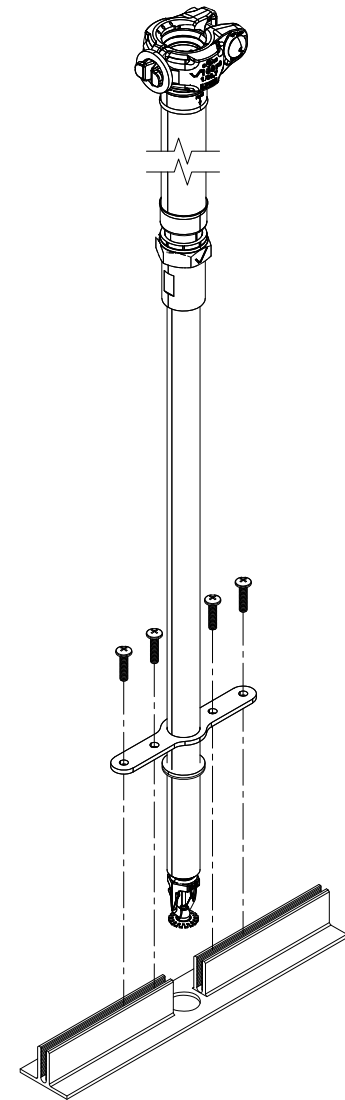
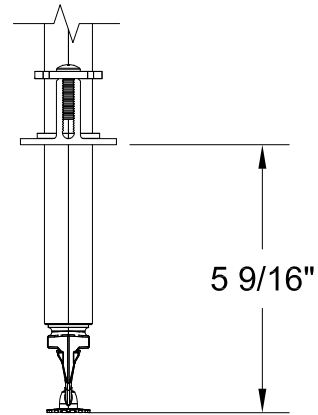
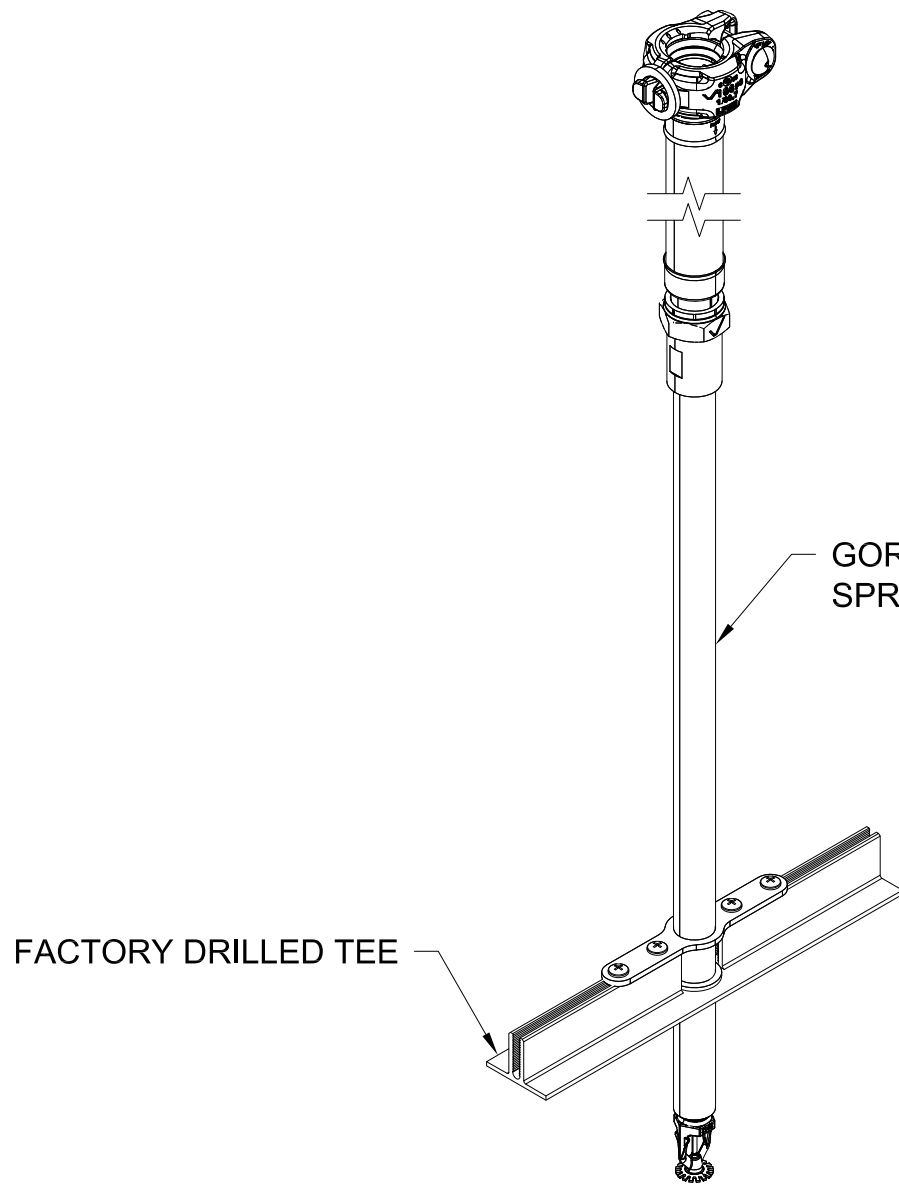
CLEANROOM CEILINGS
SUSPENSION-GASKET SEAL-DS-20
CLEANCOVE DETAIL



GORDON®
ARCHITECTURAL+ENGINEERED SOLUTIONS

5023 Hazel Jones Rd.
Bossier City, LA 71111
800.747.8954
GORDON-INC.COM
sales@gordon-inc.com

CLEANROOM CEILINGS
SUSPENSION-GASKET SEAL-DS-20
FLUSH SPRINKLER ASSEMBLY



GORDON®
ARCHITECTURAL+ENGINEERED SOLUTIONS

5023 Hazel Jones Rd.
Bossier City, LA 71111
800.747.8954
GORDON-INC.COM
sales@gordon-inc.com

CLEANROOM CEILINGS
SUSPENSION-GASKET SEAL-DS-20
EXTENDED SPRINKLER ASSEMBLY