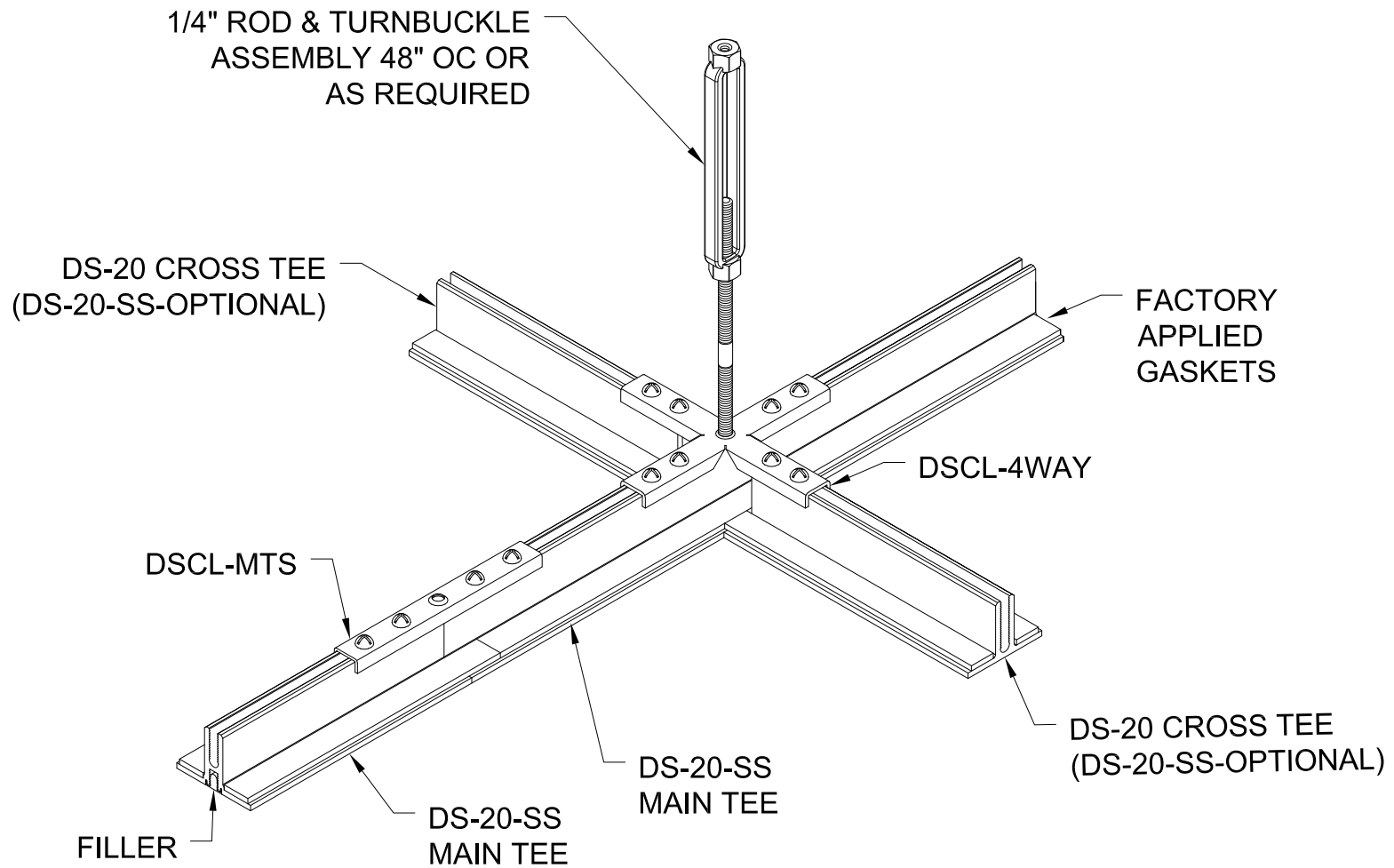


**GORDON**®  
ARCHITECTURAL+ENGINEERED SOLUTIONS

5023 Hazel Jones Rd.  
Bossier City, LA 71111  
800.747.8954  
GORDON-INC.COM  
sales@gordon-inc.com

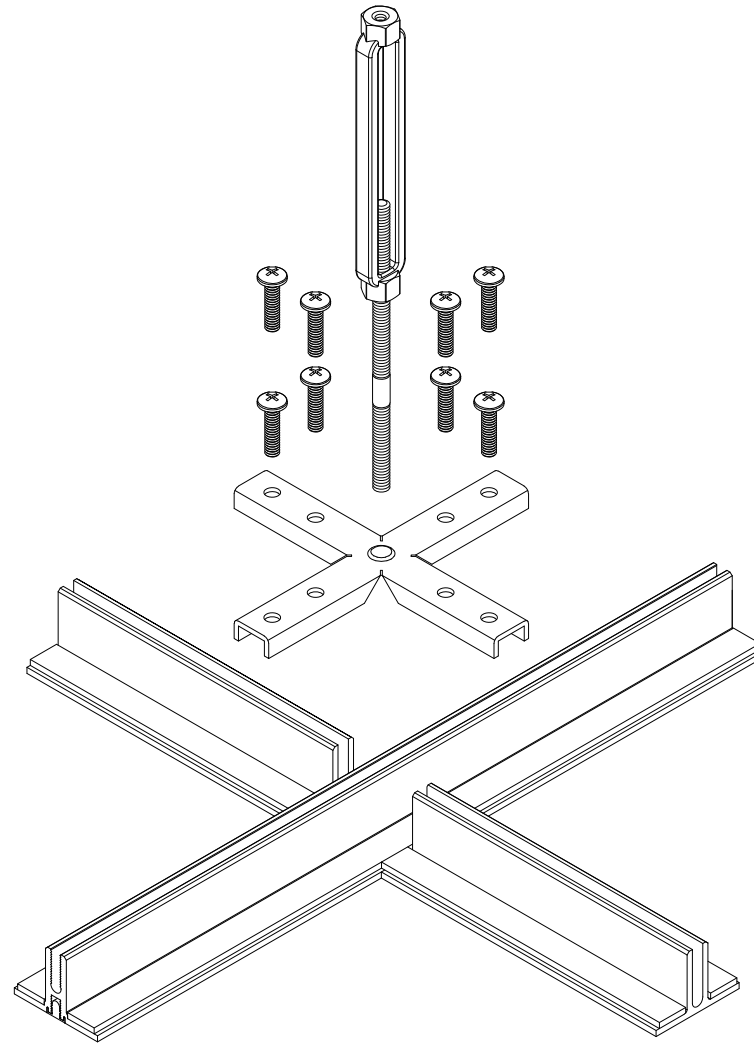
CLEANROOM CEILINGS  
SUSPENSION-GASKET SEAL-DS-20-SS  
MAIN / CROSS TEE



**GORDON**  
ARCHITECTURAL+ENGINEERED SOLUTIONS

5023 Hazel Jones Rd.  
Bossier City, LA 71111  
800.747.8954  
GORDON-INC.COM  
sales@gordon-inc.com

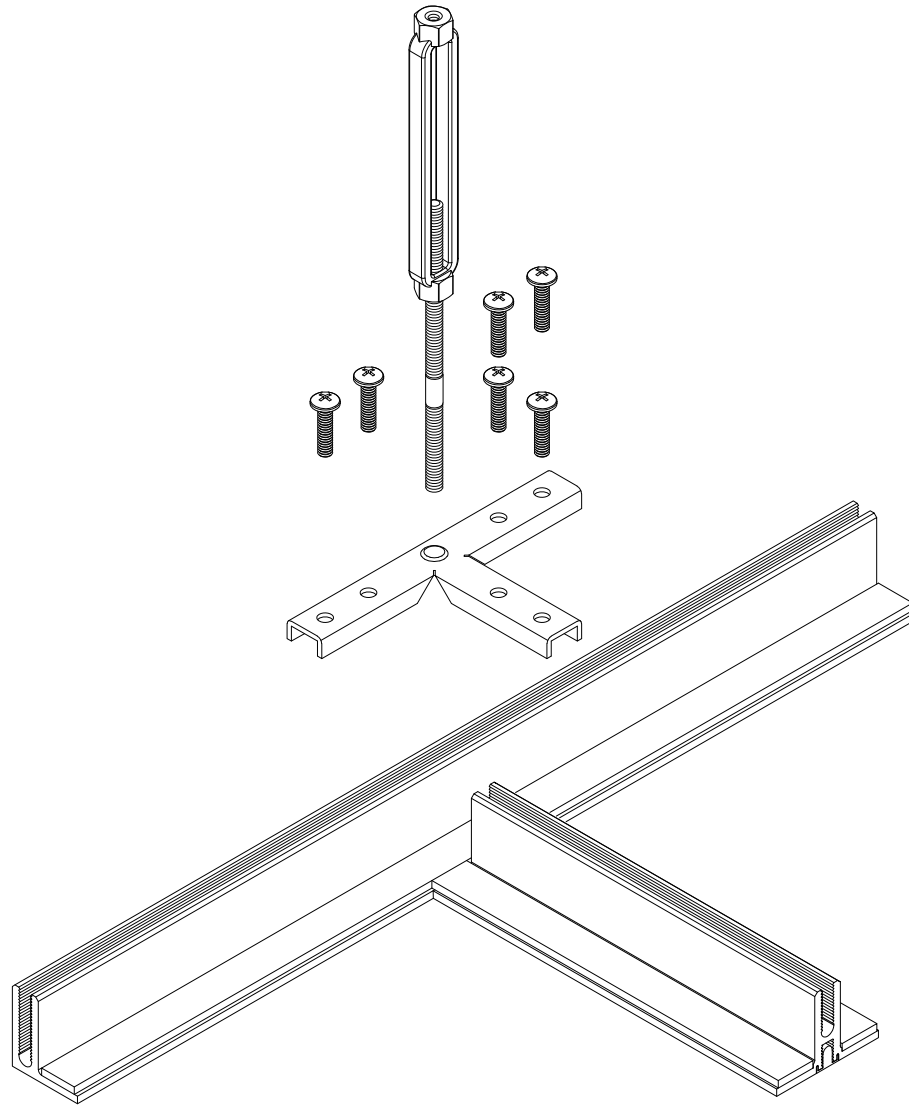
CLEANROOM CEILINGS  
SUSPENSION-GASKET SEAL-DS-20-SS  
GRID ISOMETRIC



**GORDON**®  
ARCHITECTURAL+ENGINEERED SOLUTIONS

5023 Hazel Jones Rd.  
Bossier City, LA 71111  
800.747.8954  
GORDON-INC.COM  
sales@gordon-inc.com

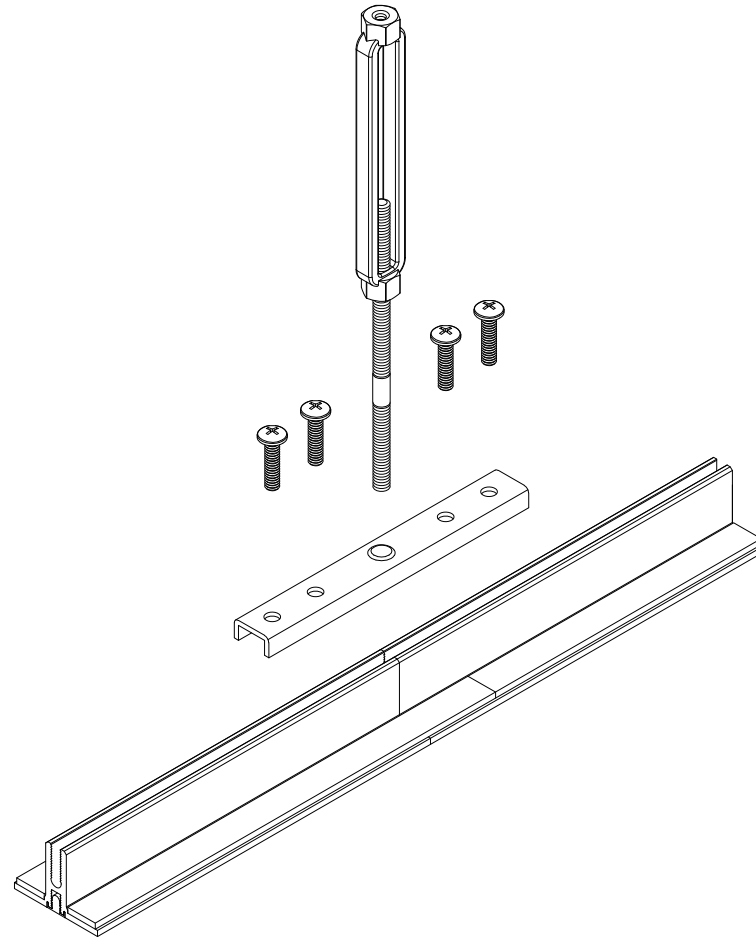
CLEANROOM CEILINGS  
SUSPENSION-GASKET SEAL-DS-20-SS  
4-WAY CONNECTOR



**GORDON**®  
ARCHITECTURAL+ENGINEERED SOLUTIONS

5023 Hazel Jones Rd.  
Bossier City, LA 71111  
800.747.8954  
GORDON-INC.COM  
sales@gordon-inc.com

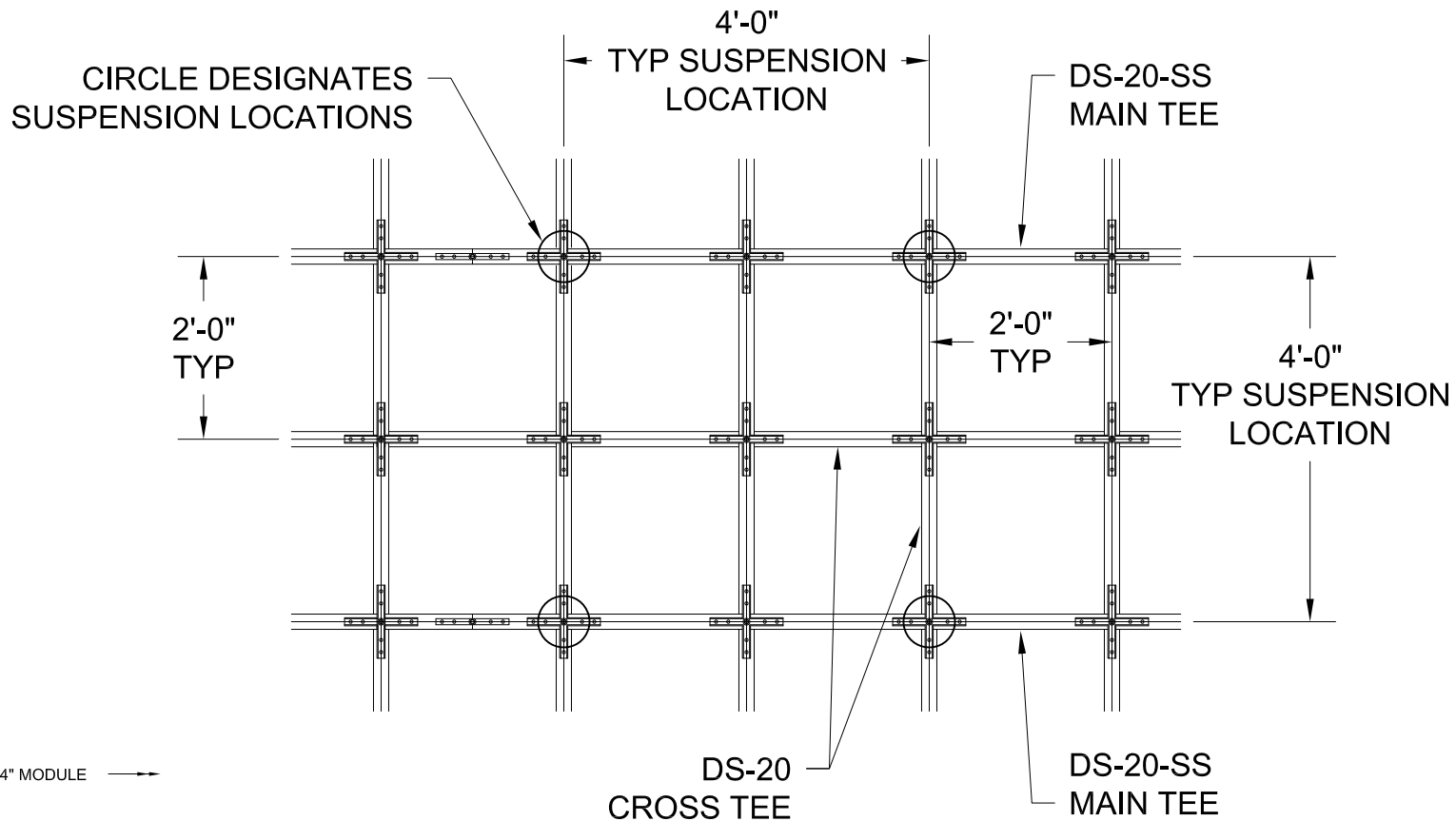
CLEANROOM CEILINGS  
SUSPENSION-GASKET SEAL-DS-20-SS  
3-WAY CONNECTOR



**GORDON**®  
ARCHITECTURAL+ENGINEERED SOLUTIONS

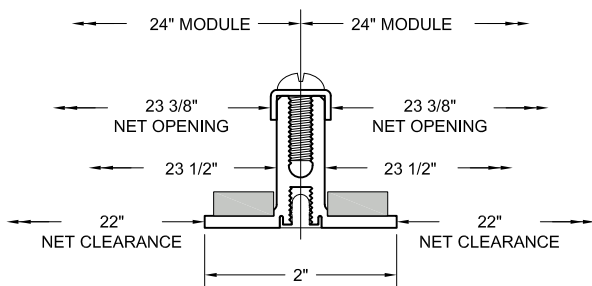
5023 Hazel Jones Rd.  
Bossier City, LA 71111  
800.747.8954  
GORDON-INC.COM  
sales@gordon-inc.com

CLEANROOM CEILINGS  
SUSPENSION-GASKET SEAL-DS-20-SS  
MTS CONNECTOR



## TYPICAL GRID PLAN

CONTACT GORDON CLEANROOM PRODUCTS DIVISION  
FOR INFORMATION ON PANEL OPTIONS SIZED TO FIT THIS GRID MODULE

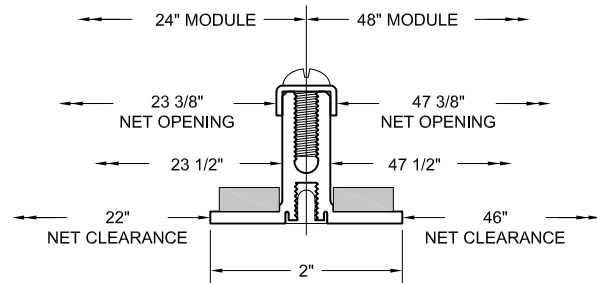
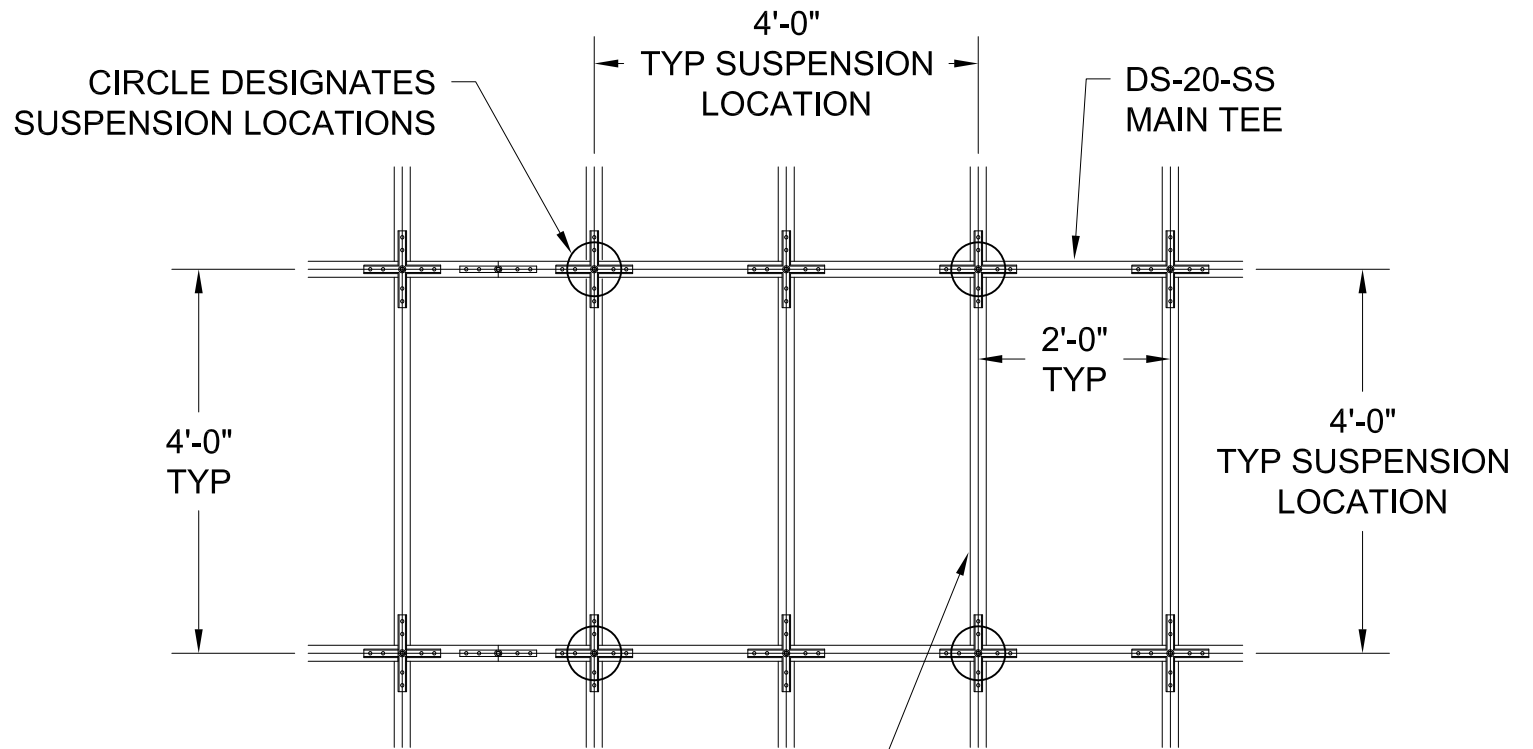


MODULE SIZING (NOT TO SCALE)  
FILTERS/FIXTURES DIMENSIONS  
ARE TYPICALLY MODULE SIZE LESS 7/8" (MAXIMUM O.D.)

**GORDON**®  
ARCHITECTURAL+ENGINEERED SOLUTIONS

5023 Hazel Jones Rd.  
Bossier City, LA 71111  
800.747.8954  
GORDON-INC.COM  
sales@gordon-inc.com

CLEANROOM CEILINGS  
SUSPENSION-GASKET SEAL-DS-20-SS  
24" / 24" GRID PLAN



MODULE SIZING (NOT TO SCALE)  
 FILTERS/FIXTURES DIMENSIONS  
 ARE TYPICALLY MODULE SIZE LESS 7/8" (MAXIMUM O.D.)

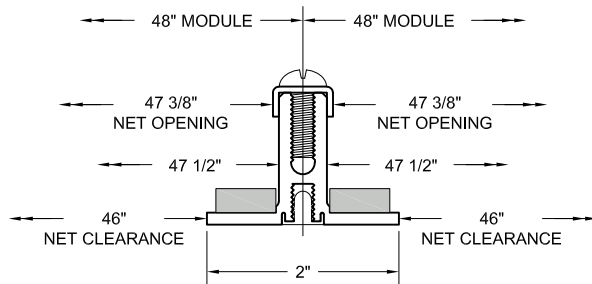
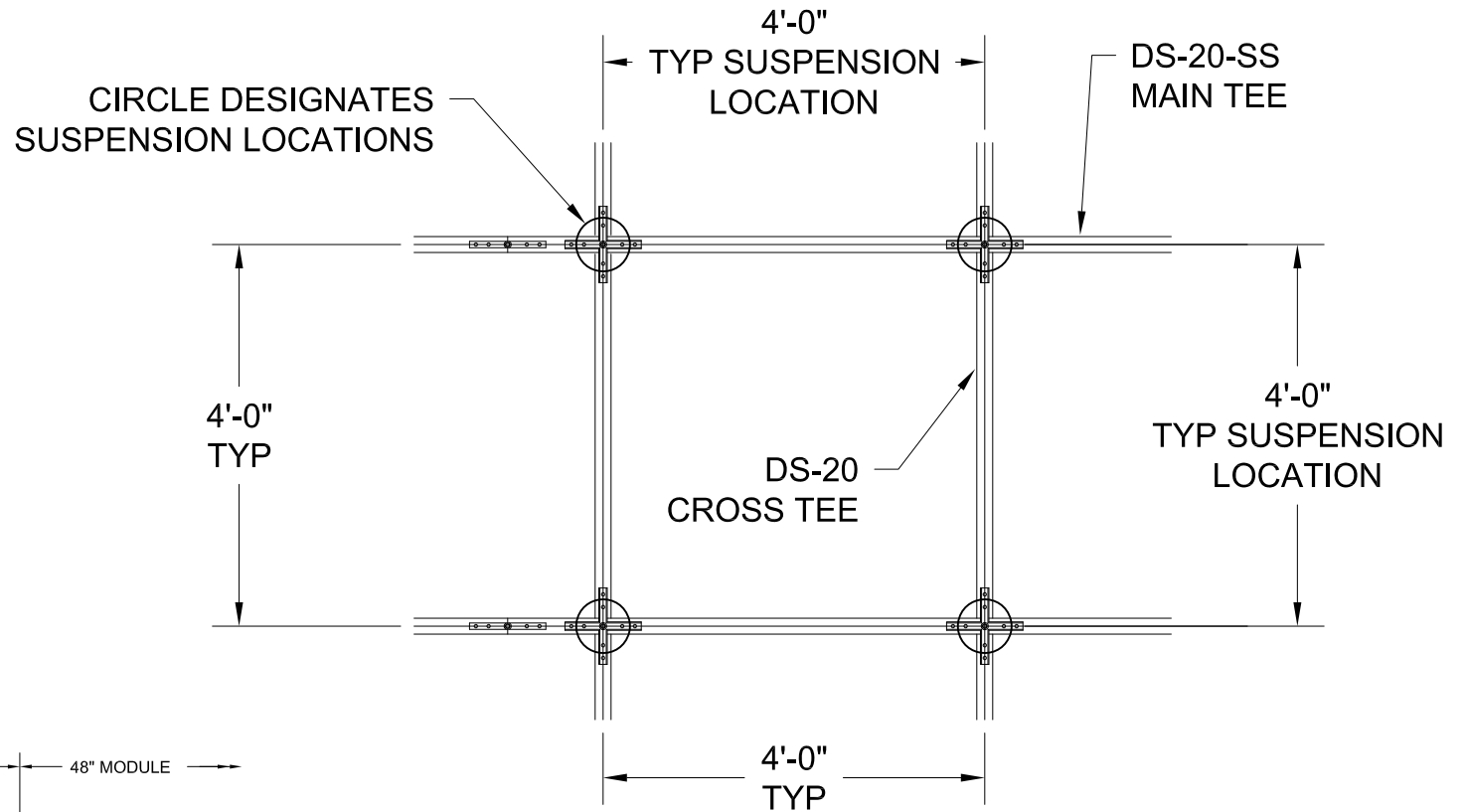
## TYPICAL GRID PLAN

CONTACT GORDON CLEANROOM PRODUCTS DIVISION  
 FOR INFORMATION ON PANEL OPTIONS SIZED TO FIT THIS GRID MODULE

**GORDON** ARCHITECTURAL+ENGINEERED SOLUTIONS

5023 Hazel Jones Rd.  
 Bossier City, LA 71111  
 800.747.8954  
 GORDON-INC.COM  
 sales@gordon-inc.com

CLEANROOM CEILINGS  
 SUSPENSION-GASKET SEAL-DS-20-SS  
 24" / 48" GRID PLAN



MODULE SIZING (NOT TO SCALE)  
 FILTERS/FIXTURES DIMENSIONS  
 ARE TYPICALLY MODULE SIZE LESS 7/8" (MAXIMUM O.D.)

## TYPICAL GRID PLAN

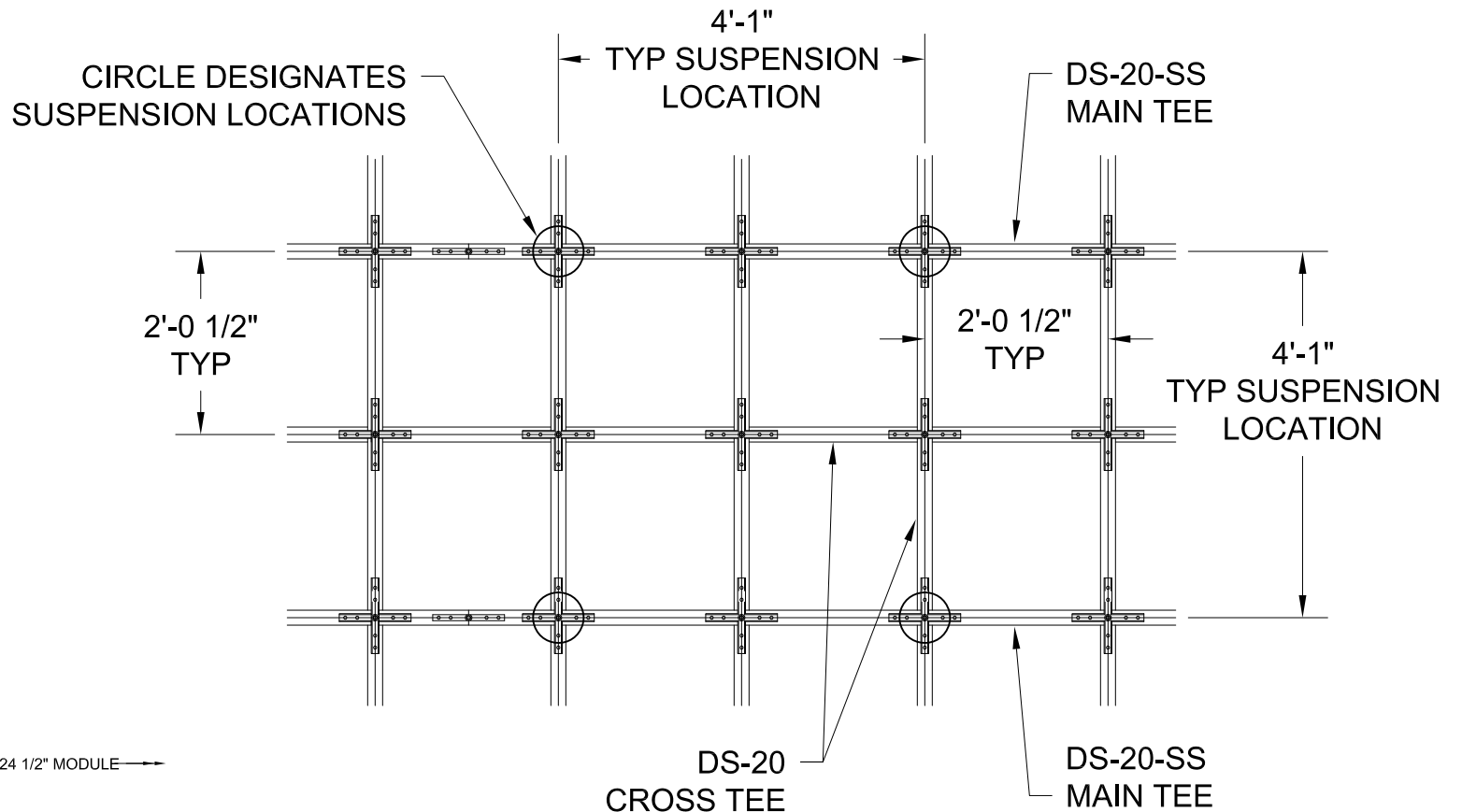
CONTACT GORDON CLEANROOM PRODUCTS DIVISION  
 FOR INFORMATION ON PANEL OPTIONS SIZED TO FIT THIS GRID MODULE

**GORDON**®  
 ARCHITECTURAL+ENGINEERED SOLUTIONS

5023 Hazel Jones Rd.  
 Bossier City, LA 71111  
 800.747.8954  
 GORDON-INC.COM  
 sales@gordon-inc.com

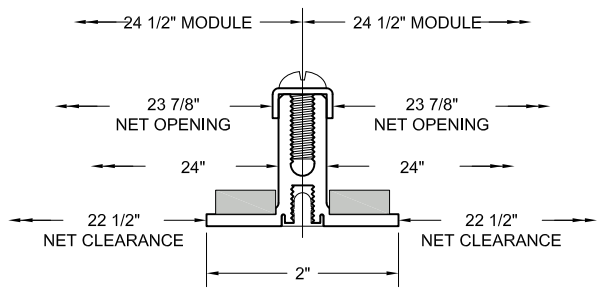
CLEANROOM CEILINGS  
 SUSPENSION-GASKET SEAL-DS-20-SS  
 48" / 48" GRID PLAN





## TYPICAL GRID PLAN

CONTACT GORDON CLEANROOM PRODUCTS DIVISION  
FOR INFORMATION ON PANEL OPTIONS SIZED TO FIT THIS GRID MODULE

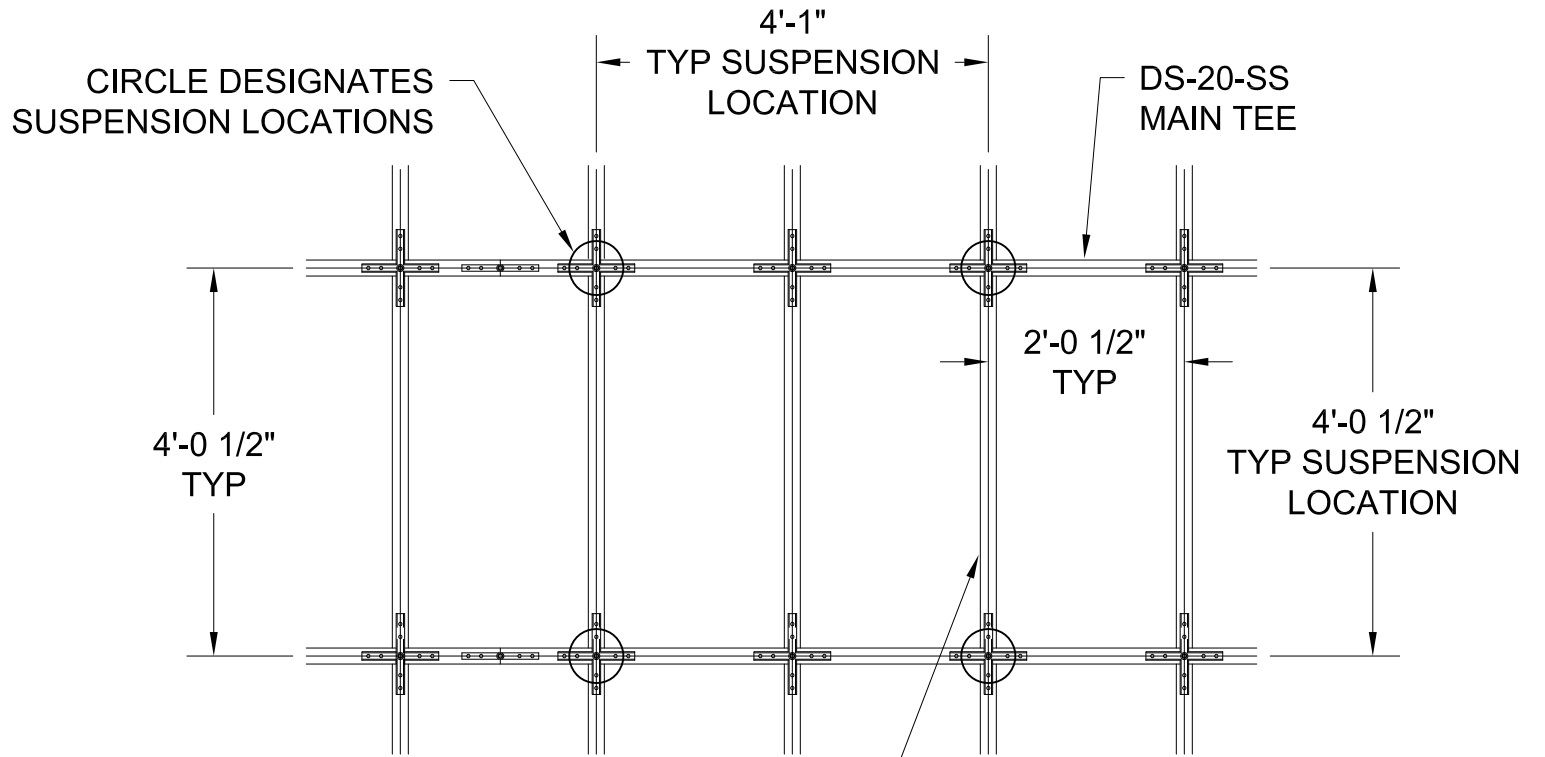


MODULE SIZING (NOT TO SCALE)  
FILTERS/FIXTURES DIMENSIONS  
ARE TYPICALLY MODULE SIZE LESS 7/8" (MAXIMUM O.D.)

**GORDON** ARCHITECTURAL+ENGINEERED SOLUTIONS

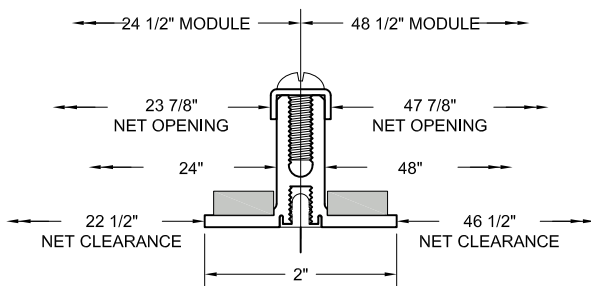
5023 Hazel Jones Rd.  
Bossier City, LA 71111  
800.747.8954  
GORDON-INC.COM  
sales@gordon-inc.com

CLEANROOM CEILINGS  
SUSPENSION-GASKET SEAL-DS-20-SS  
24 1/2" / 24 1/2" GRID PLAN



## TYPICAL GRID PLAN

CONTACT GORDON CLEANROOM PRODUCTS DIVISION  
FOR INFORMATION ON PANEL OPTIONS SIZED TO FIT THIS GRID MODULE



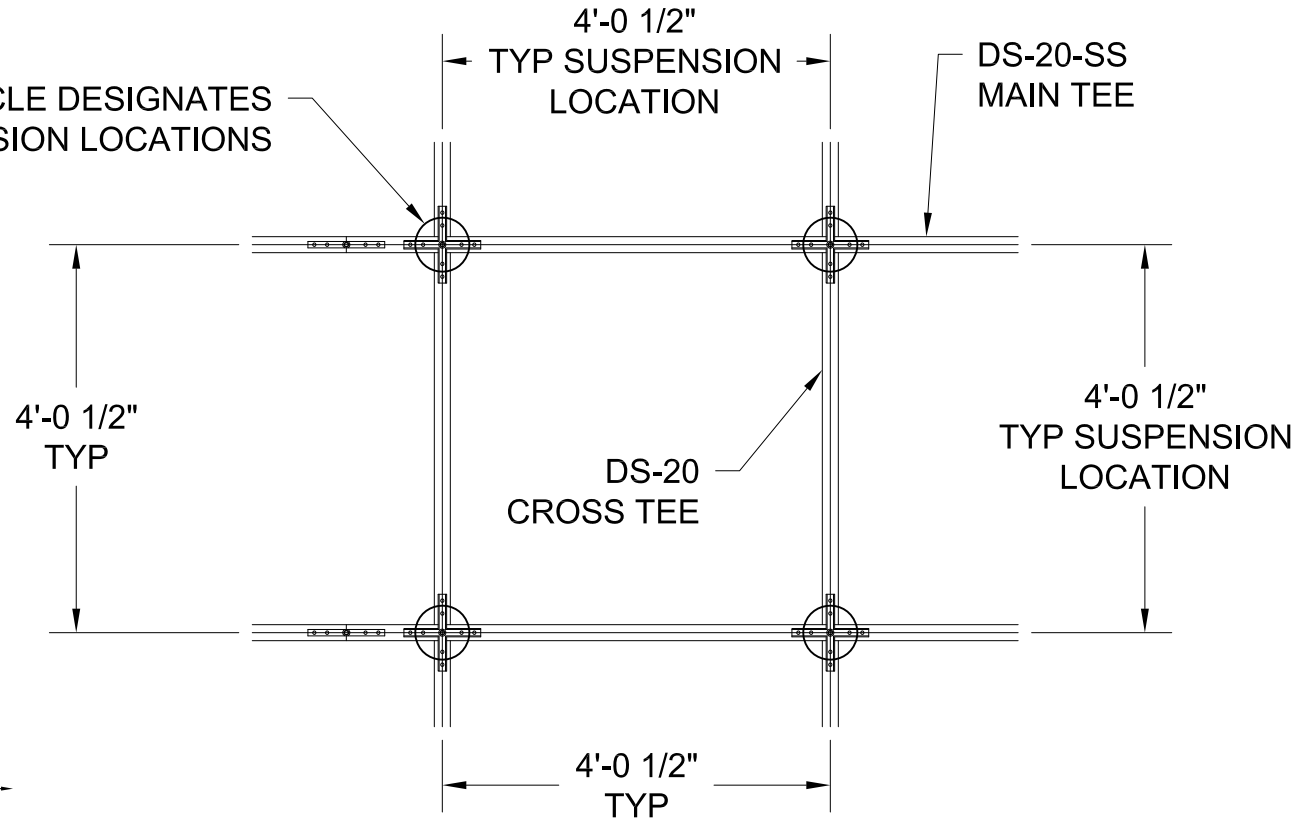
MODULE SIZING (NOT TO SCALE)  
FILTERS/FIXTURES DIMENSIONS  
ARE TYPICALLY MODULE SIZE LESS 7/8" (MAXIMUM O.D.)

**GORDON**®  
ARCHITECTURAL+ENGINEERED SOLUTIONS

5023 Hazel Jones Rd.  
Bossier City, LA 71111  
800.747.8954  
GORDON-INC.COM  
sales@gordon-inc.com

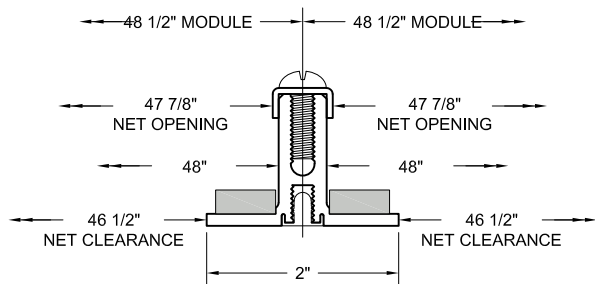
CLEANROOM CEILINGS  
SUSPENSION-GASKET SEAL-DS-20-SS  
24 1/2" / 48 1/2" GRID PLAN

CIRCLE DESIGNATES  
SUSPENSION LOCATIONS



## TYPICAL GRID PLAN

CONTACT GORDON CLEANROOM PRODUCTS DIVISION  
FOR INFORMATION ON PANEL OPTIONS SIZED TO FIT THIS GRID MODULE

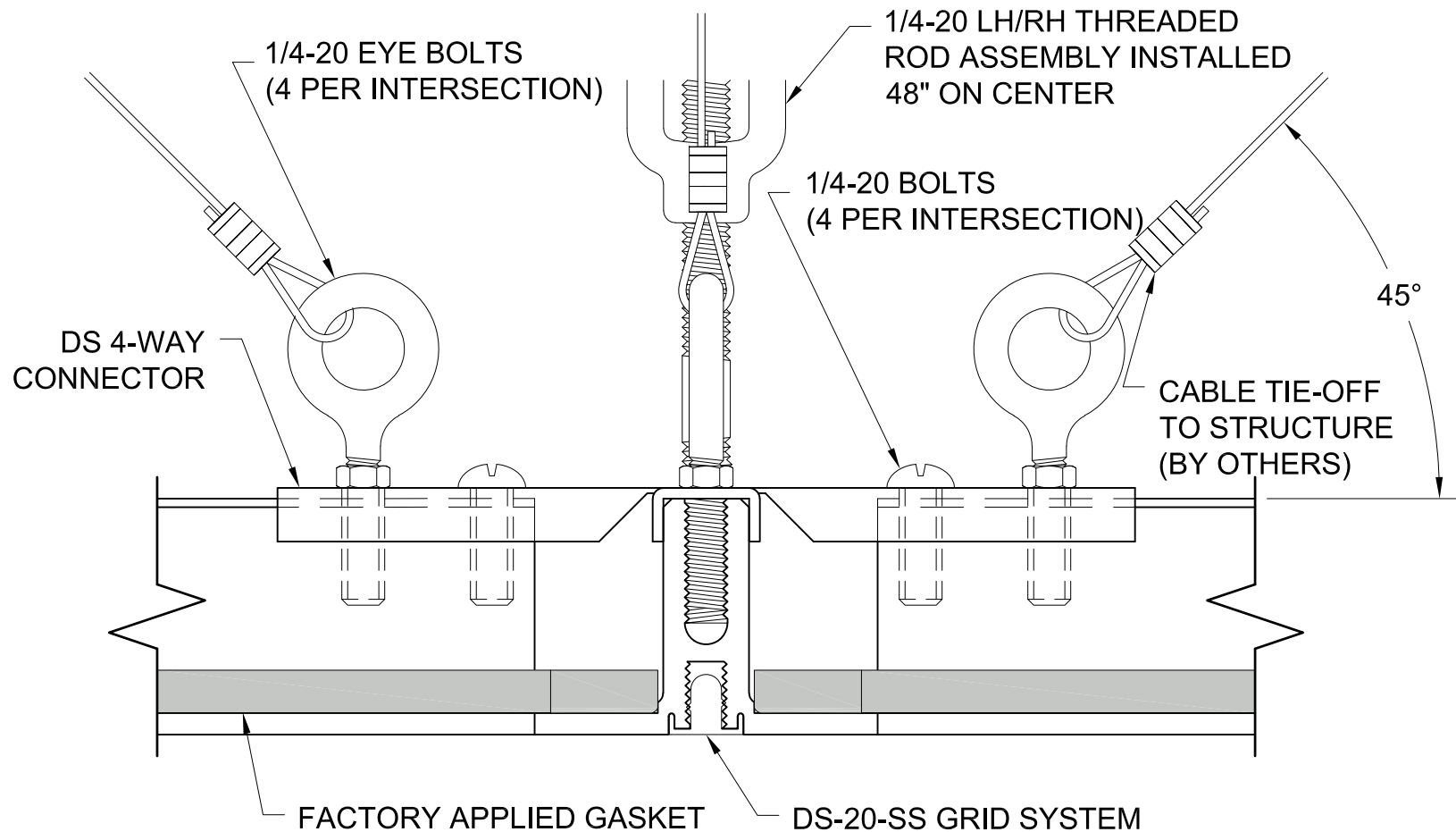


MODULE SIZING (NOT TO SCALE)  
FILTERS/FIXTURES DIMENSIONS  
ARE TYPICALLY MODULE SIZE LESS 7/8" (MAXIMUM O.D.)

**GORDON**®  
ARCHITECTURAL+ENGINEERED SOLUTIONS

5023 Hazel Jones Rd.  
Bossier City, LA 71111  
800.747.8954  
GORDON-INC.COM  
sales@gordon-inc.com

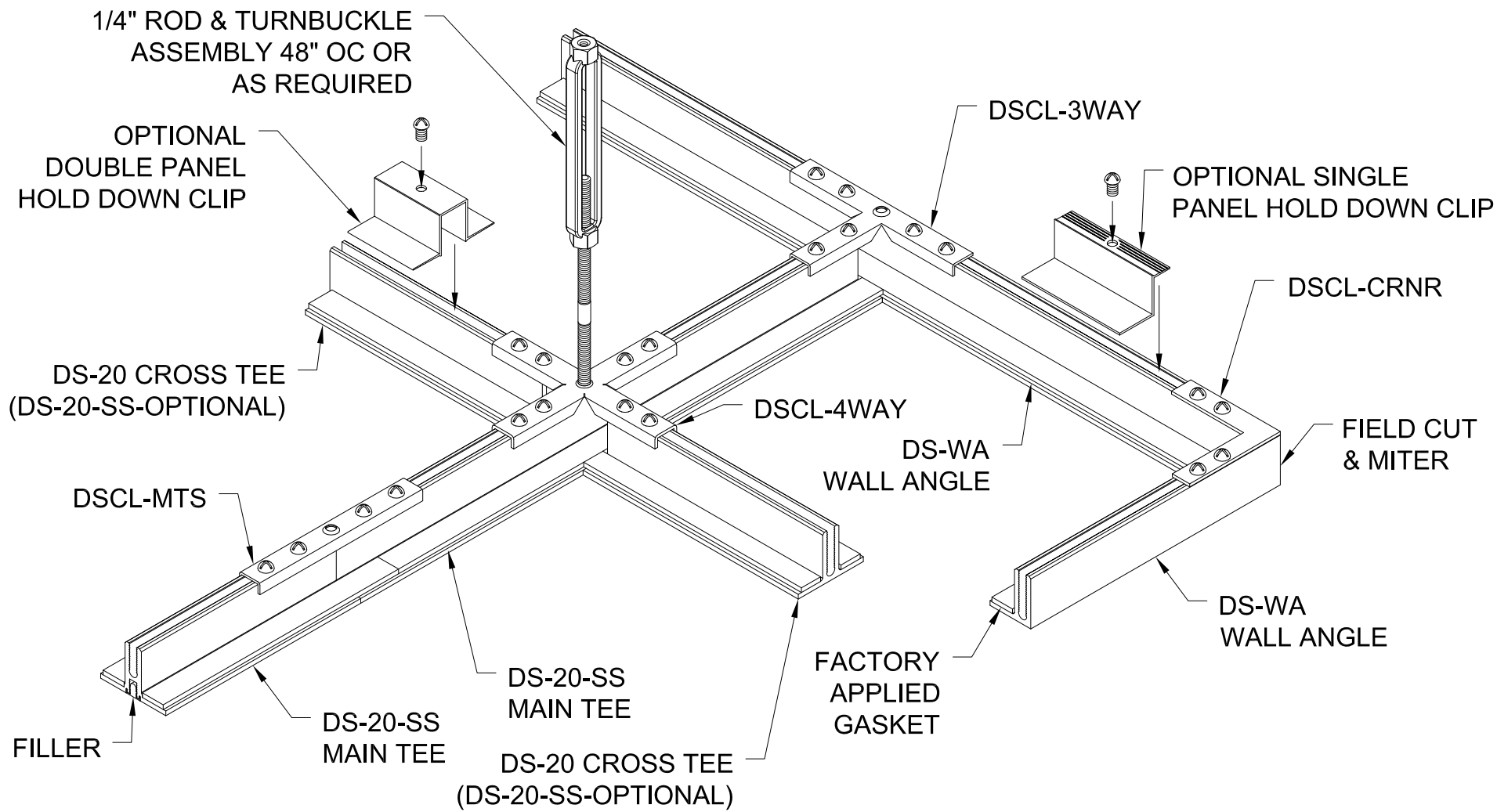
CLEANROOM CEILINGS  
SUSPENSION-GASKET SEAL-DS-20-SS  
48 1/2" / 48 1/2" GRID PLAN



**GORDON**®  
ARCHITECTURAL+ENGINEERED SOLUTIONS

5023 Hazel Jones Rd.  
Bossier City, LA 71111  
800.747.8954  
GORDON-INC.COM  
sales@gordon-inc.com

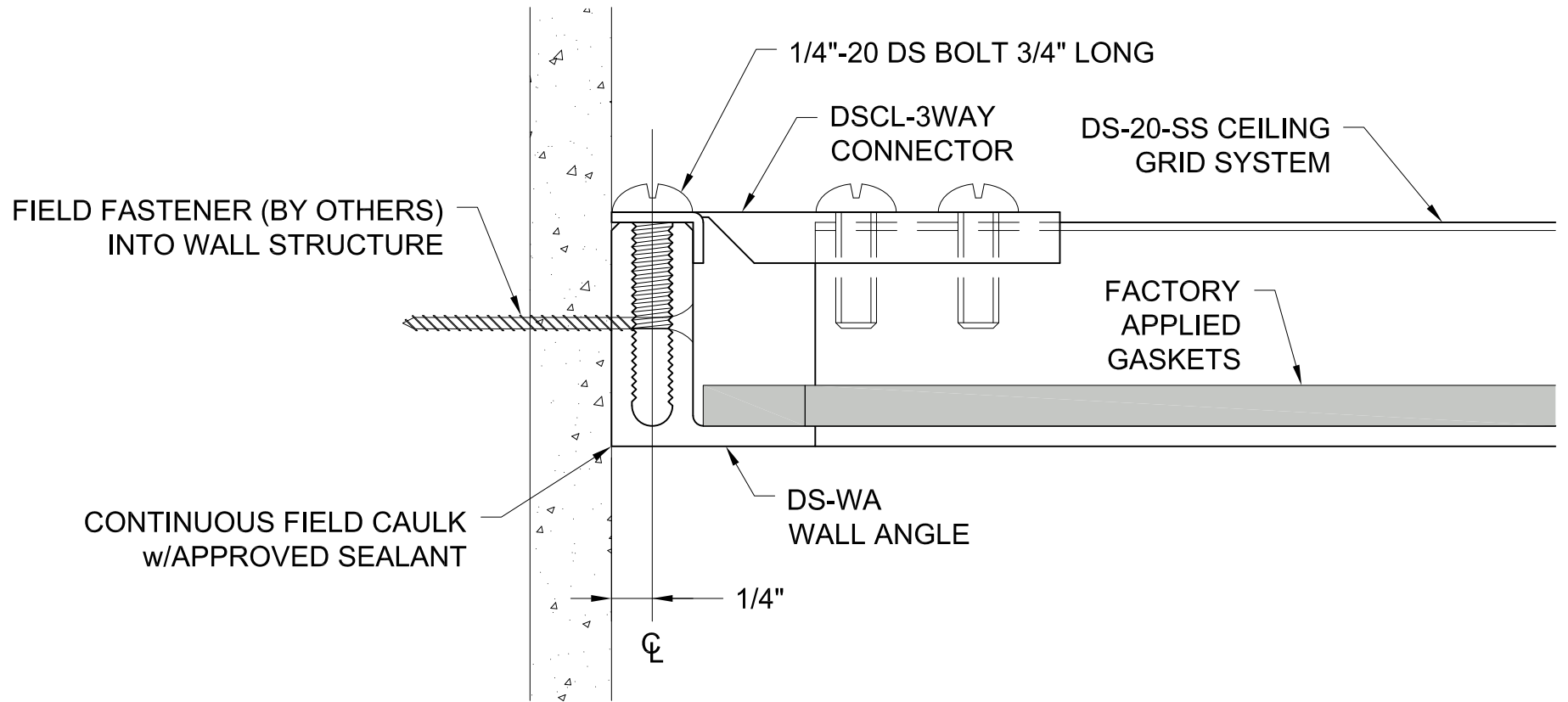
CLEANROOM CEILINGS  
SUSPENSION-GASKET SEAL-DS-20-SS  
SEISMIC DETAIL



**GORDON**®  
ARCHITECTURAL+ENGINEERED SOLUTIONS

5023 Hazel Jones Rd.  
Bossier City, LA 71111  
800.747.8954  
GORDON-INC.COM  
sales@gordon-inc.com

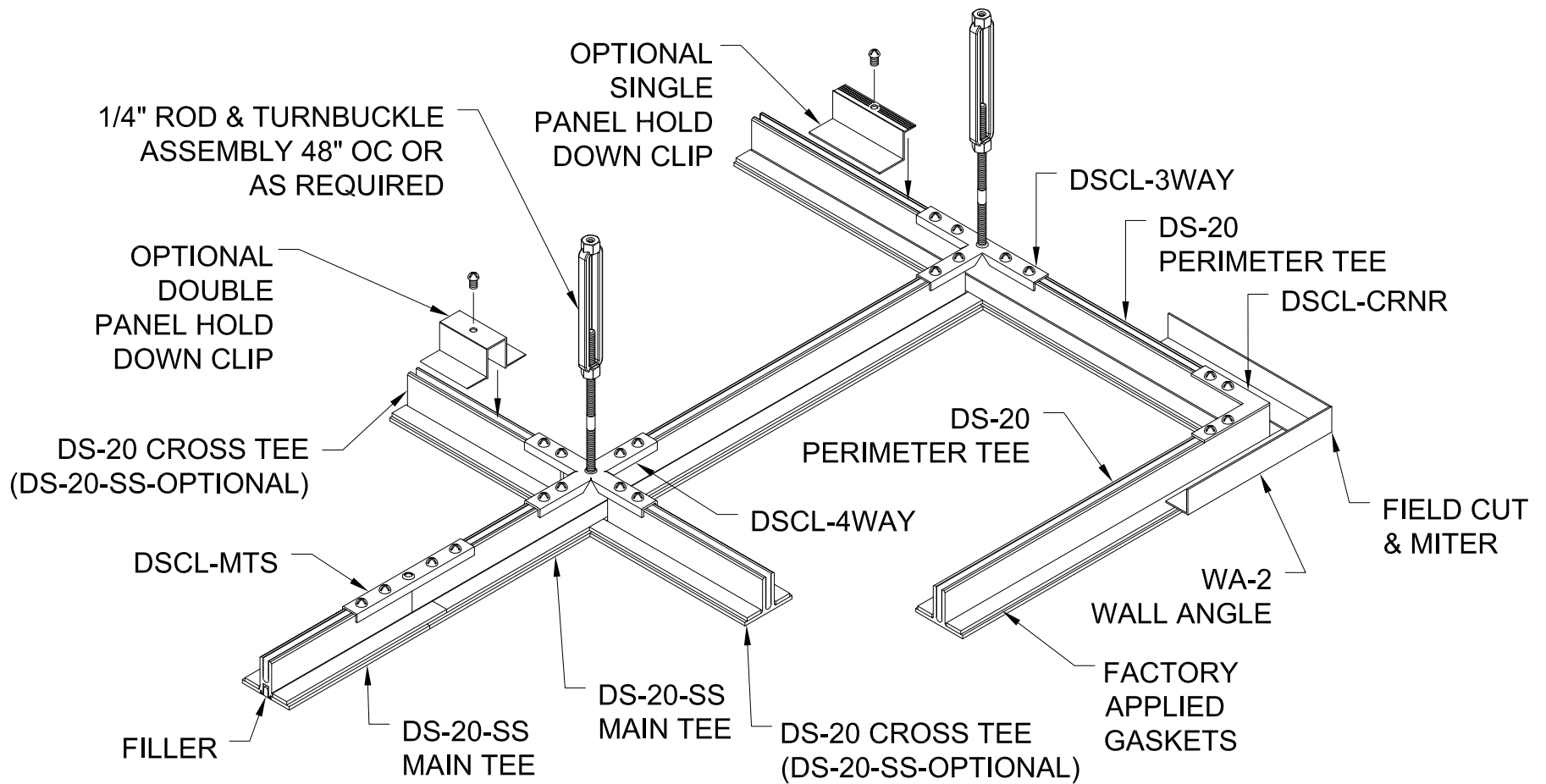
CLEANROOM CEILING  
SUSPENSION-GASKET SEAL-DS-20-SS  
FIXED PERIMETER ISOMETRIC



**GORDON**®  
ARCHITECTURAL+ENGINEERED SOLUTIONS

5023 Hazel Jones Rd.  
Bossier City, LA 71111  
800.747.8954  
GORDON-INC.COM  
sales@gordon-inc.com

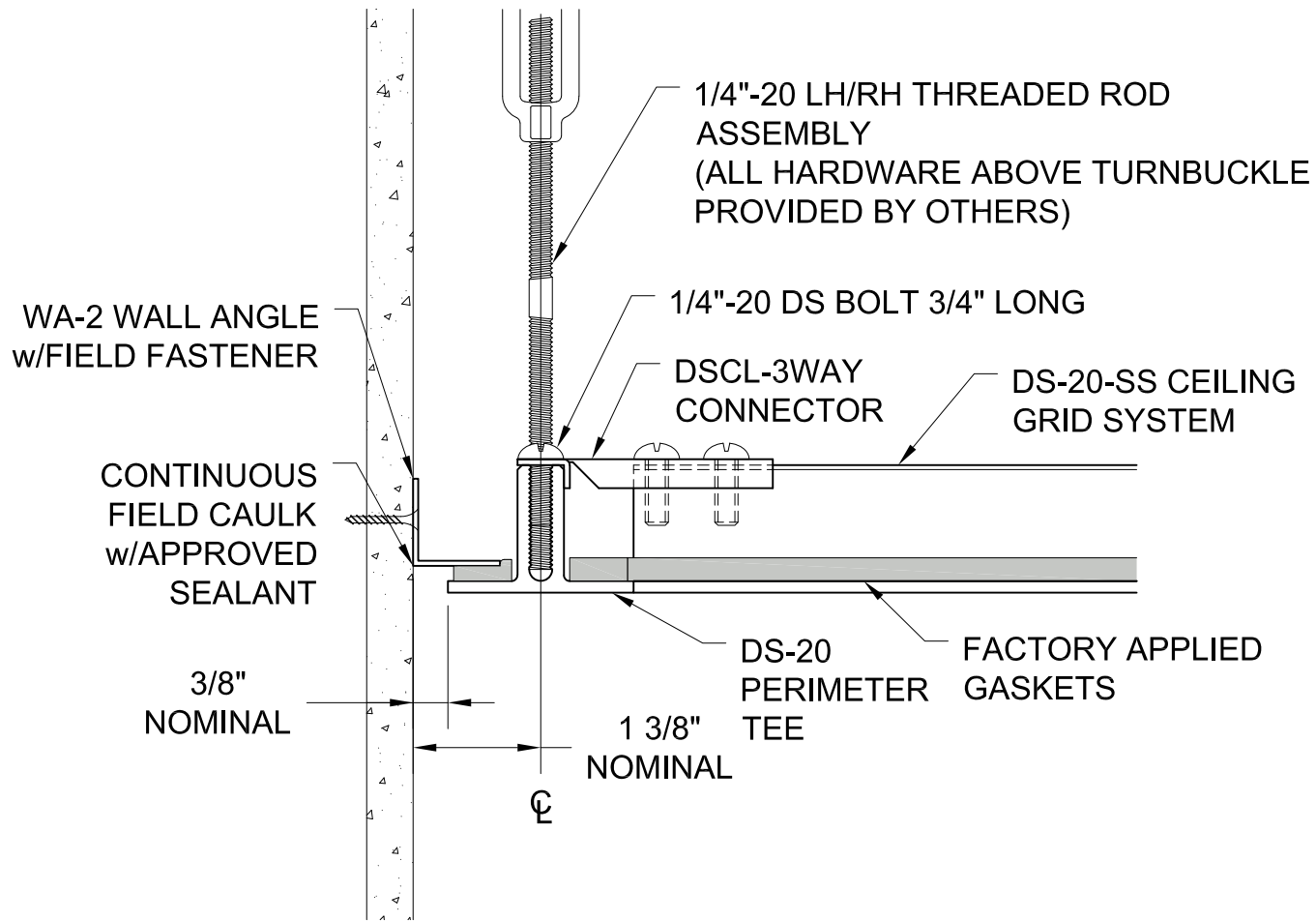
CLEANROOM CEILINGS  
SUSPENSION-GASKET SEAL-DS-20-SS  
FIXED PERIMETER SECTION



**GORDON**®  
ARCHITECTURAL+ENGINEERED SOLUTIONS

5023 Hazel Jones Rd.  
Bossier City, LA 71111  
800.747.8954  
GORDON-INC.COM  
sales@gordon-inc.com

CLEANROOM CEILINGS  
SUSPENSION-GASKET SEAL-DS-20-SS  
FLOATING PERIMETER ISOMETRIC

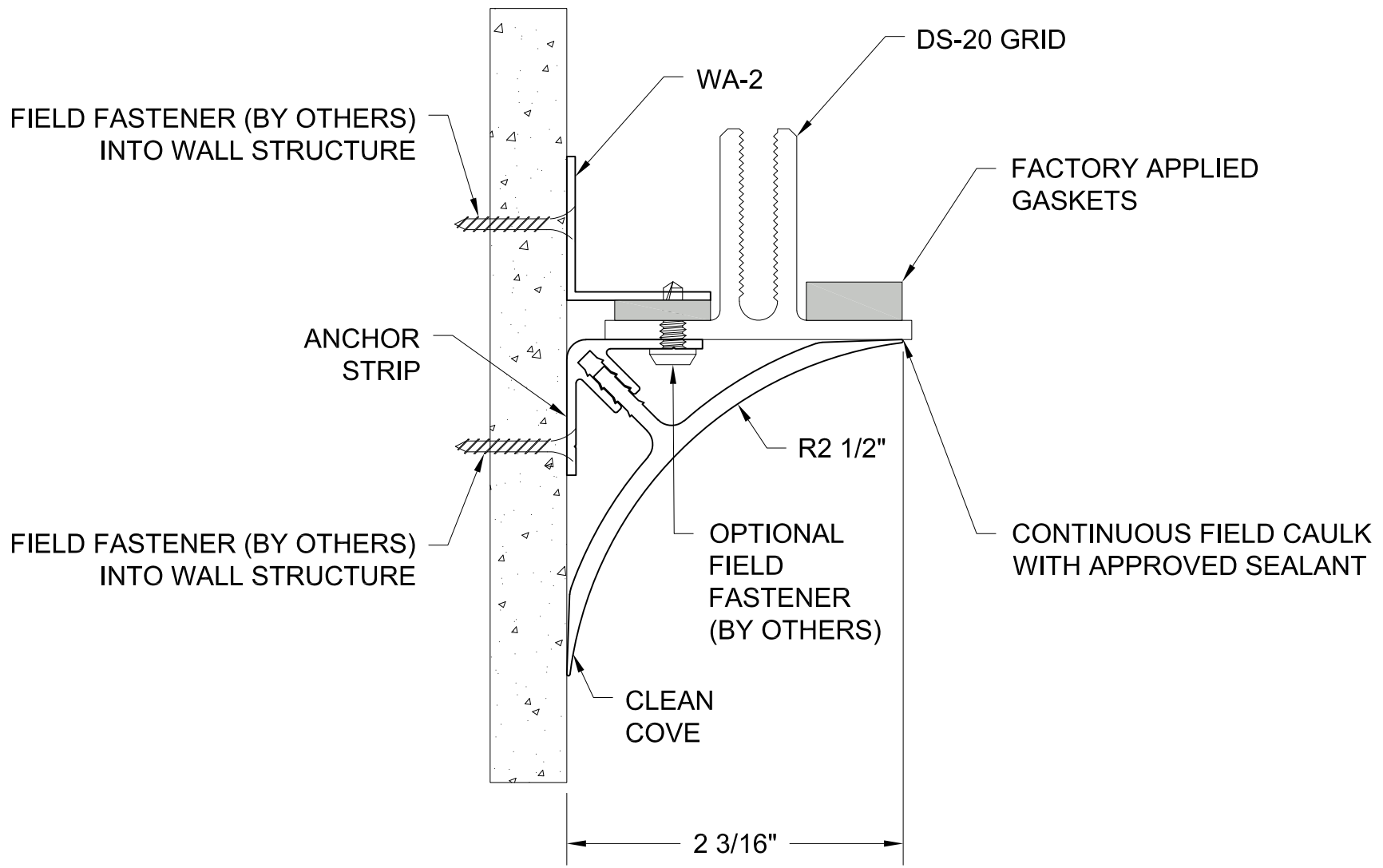


**GORDON**®  
ARCHITECTURAL+ENGINEERED SOLUTIONS

5023 Hazel Jones Rd.  
Bossier City, LA 71111  
800.747.8954  
GORDON-INC.COM  
sales@gordon-inc.com

CLEANROOM CEILINGS  
SUSPENSION-GASKET SEAL-DS-20-SS  
FLOATING PERIMETER SECTION

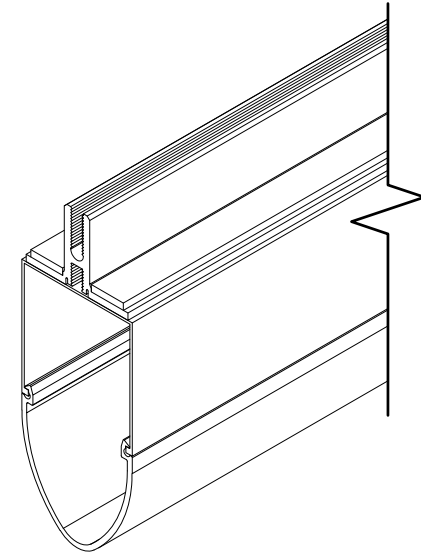
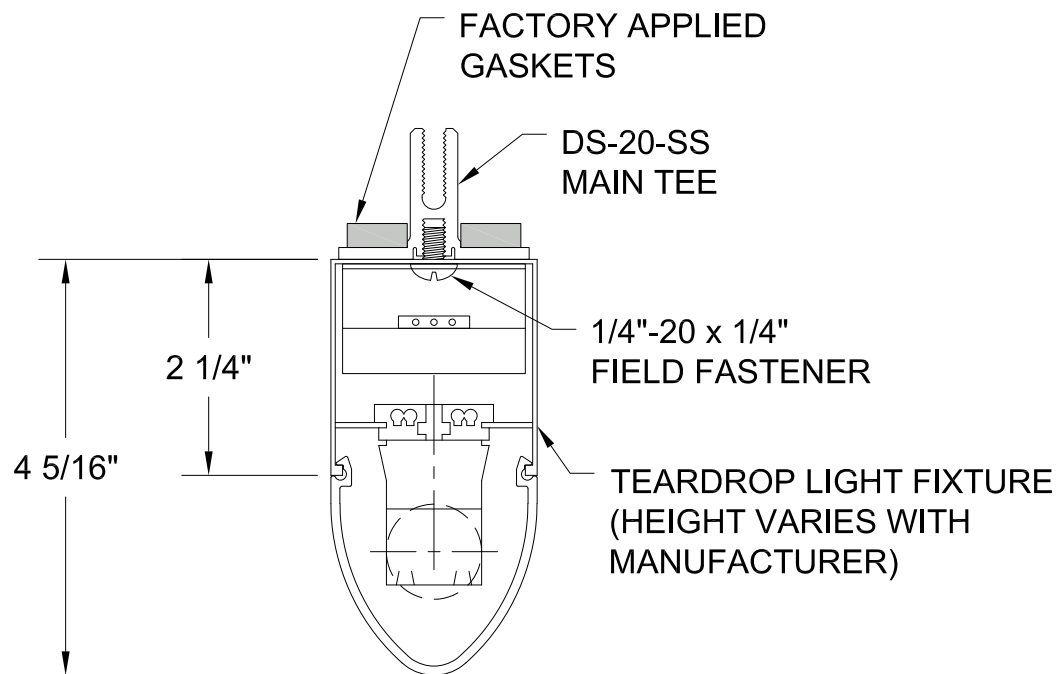




**GORDON**  
ARCHITECTURAL+ENGINEERED SOLUTIONS

5023 Hazel Jones Rd.  
Bossier City, LA 71111  
800.747.8954  
GORDON-INC.COM  
sales@gordon-inc.com

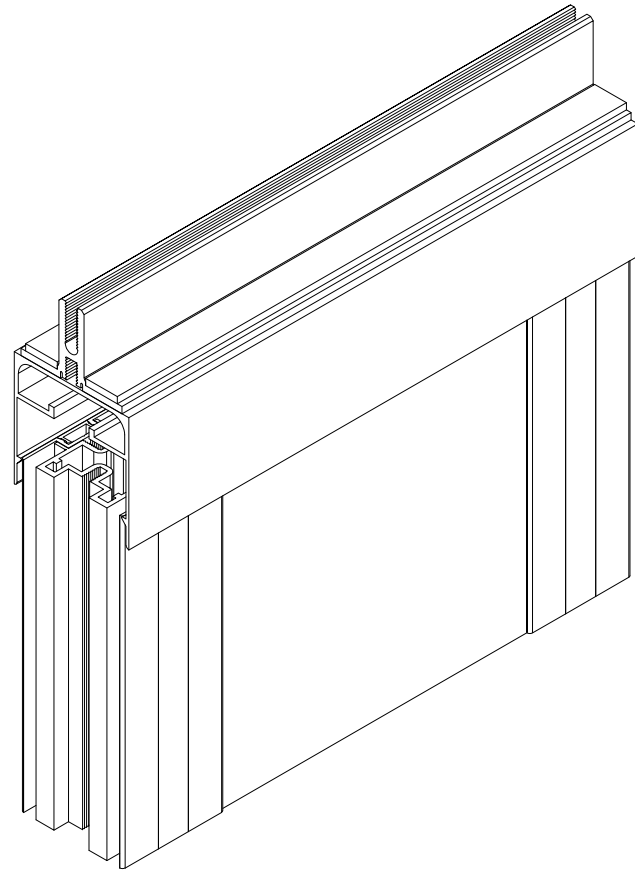
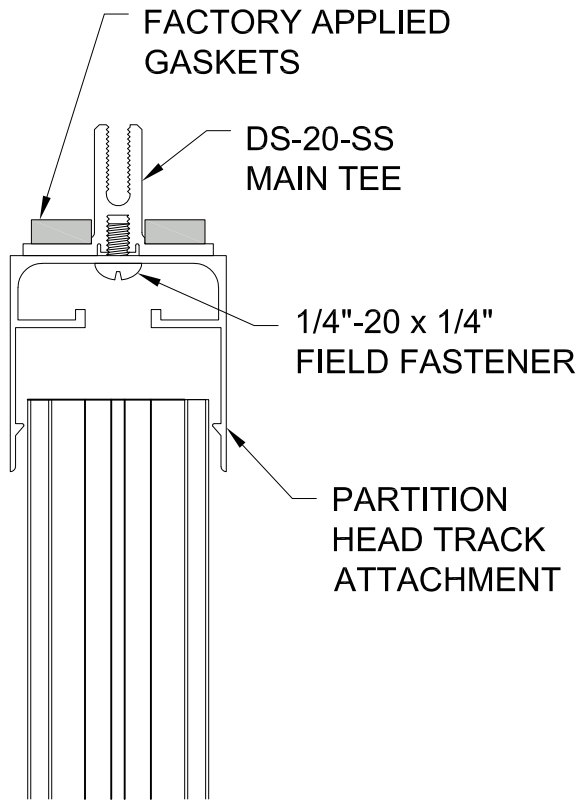
CLEANROOM CEILINGS  
SUSPENSION-GASKET SEAL-DS-20-SS  
CLEANCOVE DETAIL



**GORDON**®  
ARCHITECTURAL+ENGINEERED SOLUTIONS

5023 Hazel Jones Rd.  
Bossier City, LA 71111  
800.747.8954  
GORDON-INC.COM  
sales@gordon-inc.com

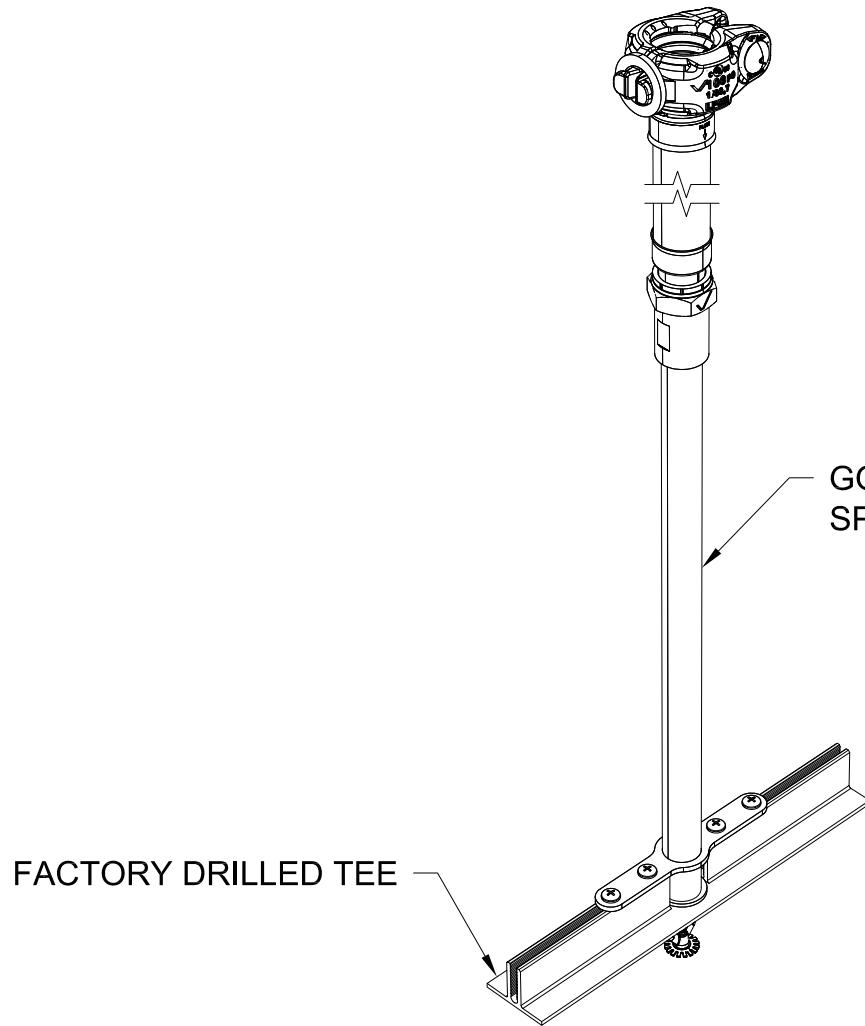
CLEANROOM CEILINGS  
SUSPENSION-GASKET SEAL-DS-20-SS  
TEARDROP LIGHT FIXTURE



**GORDON**®  
ARCHITECTURAL+ENGINEERED SOLUTIONS

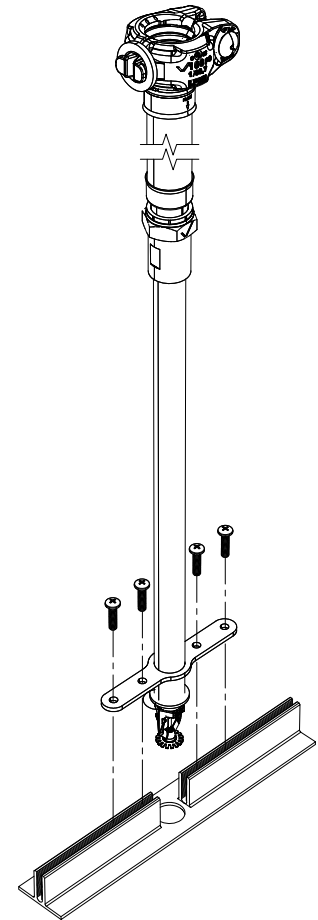
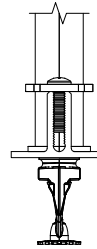
5023 Hazel Jones Rd.  
Bossier City, LA 71111  
800.747.8954  
GORDON-INC.COM  
sales@gordon-inc.com

CLEANROOM CEILINGS  
SUSPENSION-GASKET SEAL-DS-20-SS  
PARTITION HEAD TRACK



GORDON FLEXIBLE  
SPRINKLER ASSEMBLY

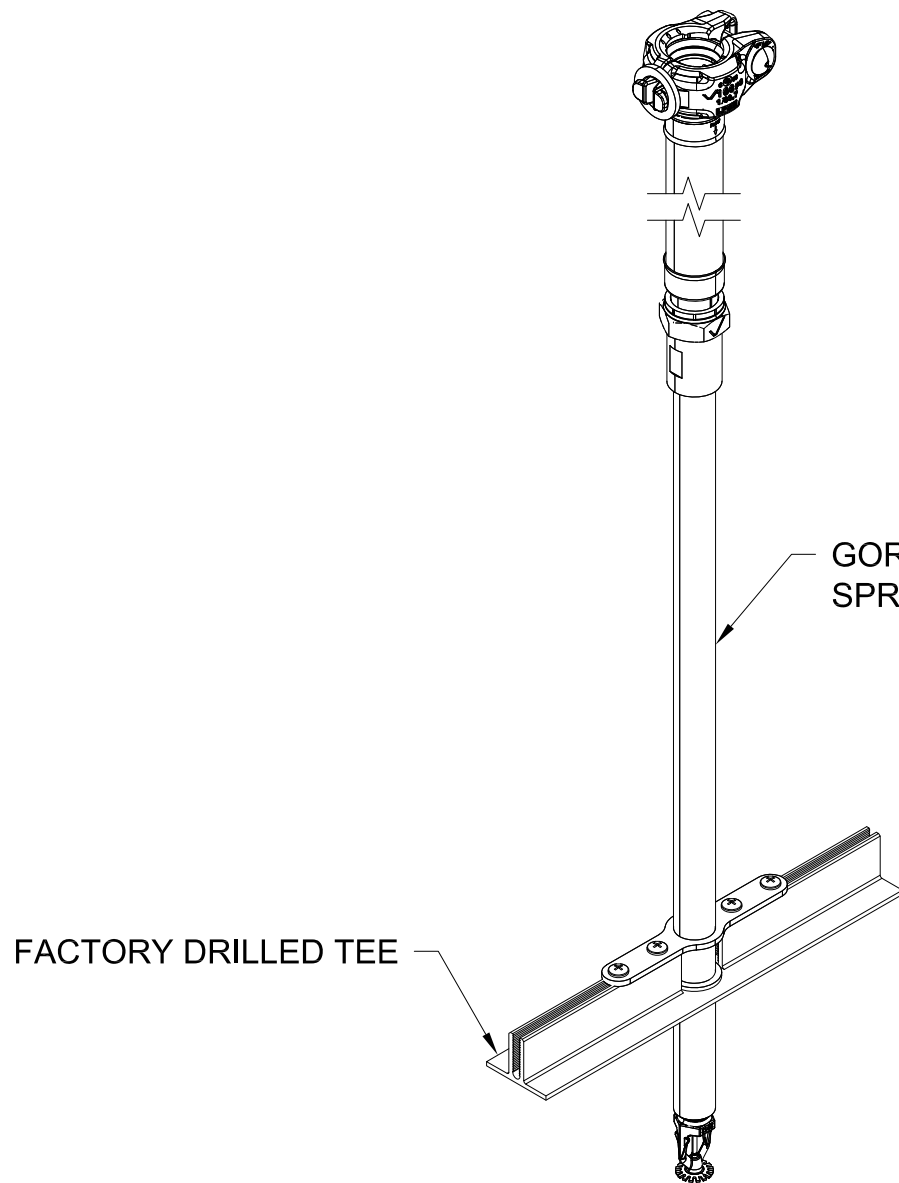
FACTORY DRILLED TEE



CLEANROOM CEILINGS  
SUSPENSION-GASKET SEAL-DS-20-SS  
FLUSH SPRINKLER ASSEMBLY

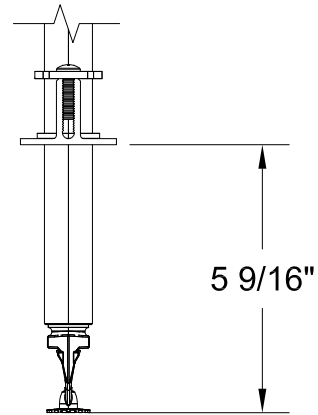
**GORDON**®  
ARCHITECTURAL+ENGINEERED SOLUTIONS

5023 Hazel Jones Rd.  
Bossier City, LA 71111  
800.747.8954  
GORDON-INC.COM  
sales@gordon-inc.com

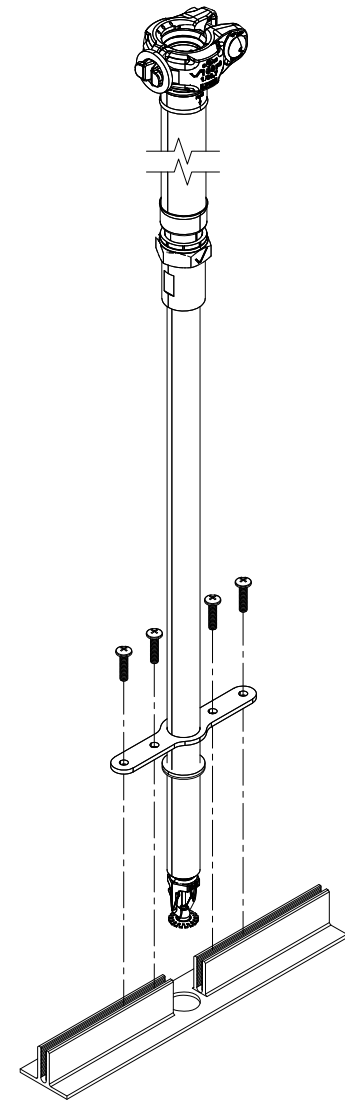


FACTORY DRILLED TEE

GORDON FLEXIBLE  
SPRINKLER ASSEMBLY



5 9/16"



**GORDON**®  
ARCHITECTURAL+ENGINEERED SOLUTIONS

5023 Hazel Jones Rd.  
Bossier City, LA 71111  
800.747.8954  
GORDON-INC.COM  
sales@gordon-inc.com

CLEANROOM CEILINGS  
SUSPENSION-GASKET SEAL-DS-20  
EXTENDED SPRINKLER ASSEMBLY