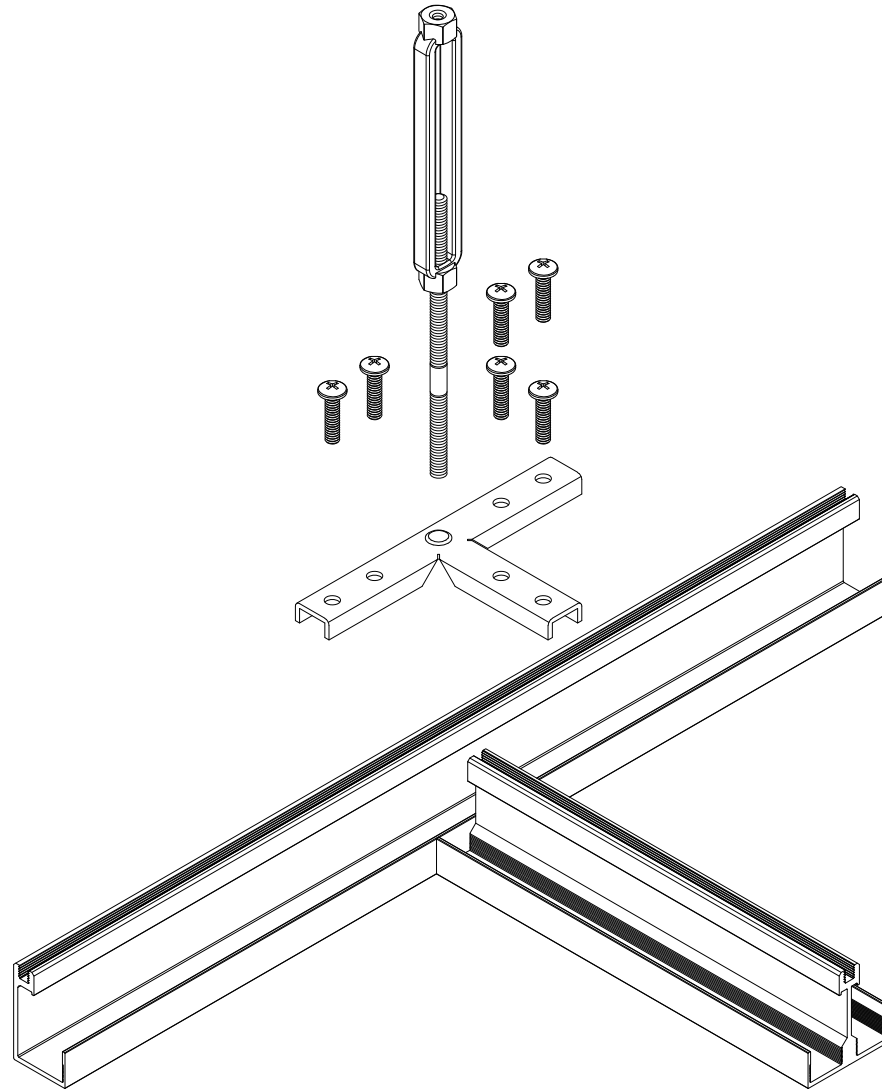


**GORDON**®  
ARCHITECTURAL+ENGINEERED SOLUTIONS

5023 Hazel Jones Rd.  
Bossier City, LA 71111  
800.747.8954  
GORDON-INC.COM  
sales@gordon-inc.com

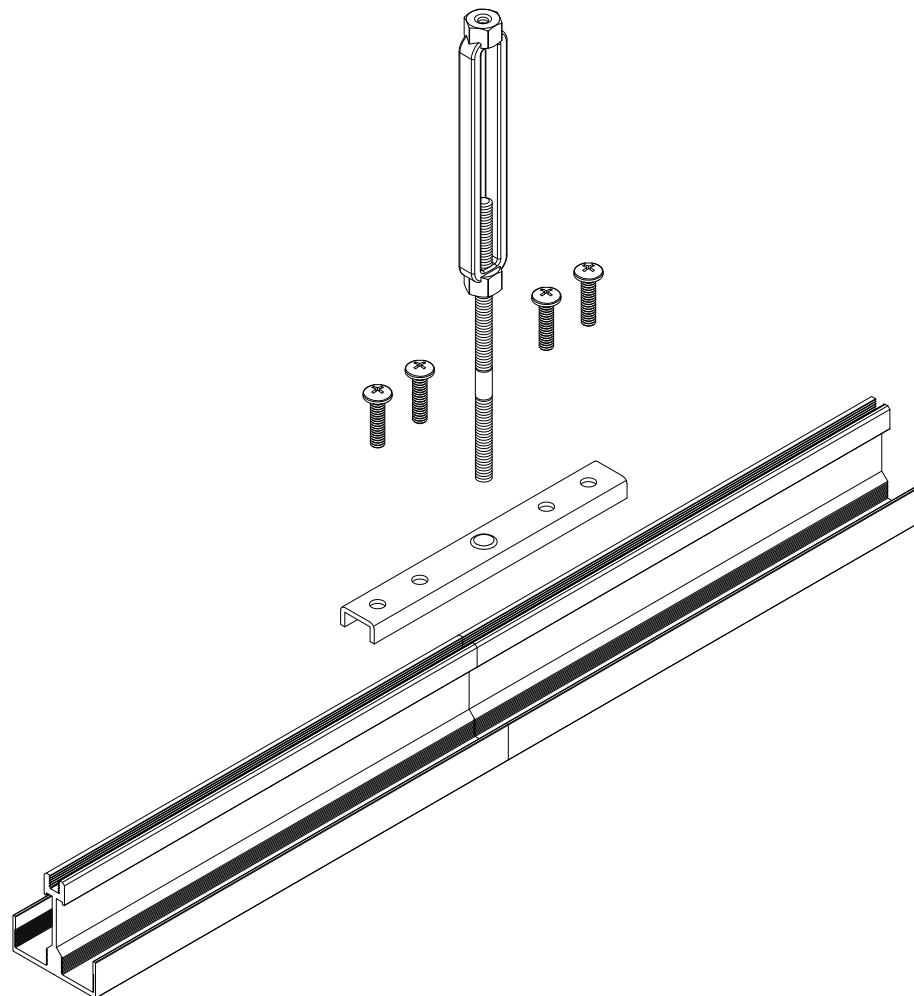
CLEANROOM CEILINGS  
SUSPENSION - GEL SEAL - WS-20  
4-WAY CONNECTOR



**GORDON**®  
ARCHITECTURAL+ENGINEERED SOLUTIONS

5023 Hazel Jones Rd.  
Bossier City, LA 71111  
800.747.8954  
GORDON-INC.COM  
sales@gordon-inc.com

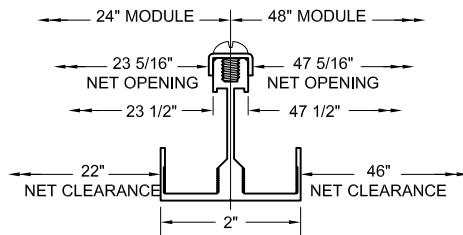
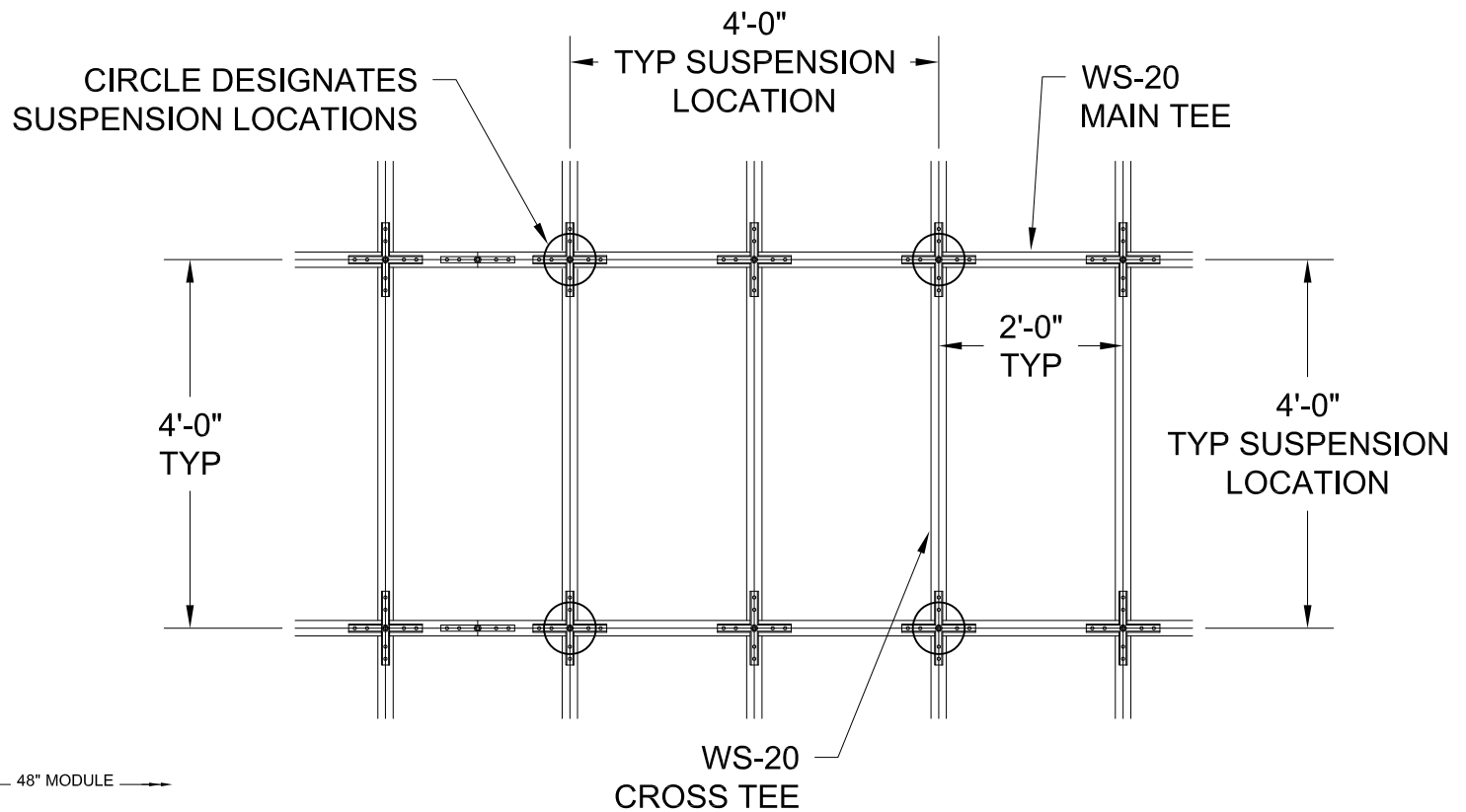
CLEANROOM CEILINGS  
SUSPENSION - GEL SEAL - WS-20  
3-WAY CONNECTOR



**GORDON**®  
ARCHITECTURAL+ENGINEERED SOLUTIONS

5023 Hazel Jones Rd.  
Bossier City, LA 71111  
800.747.8954  
GORDON-INC.COM  
sales@gordon-inc.com

CLEANROOM CEILINGS  
SUSPENSION - GEL SEAL - WS-20  
MTS CONNECTOR



MODULE SIZING (NOT TO SCALE)  
 FILTERS/FIXTURES DIMENSIONS  
 ARE TYPICALLY MODULE SIZE LESS 7/8" (MAXIMUM O.D.)

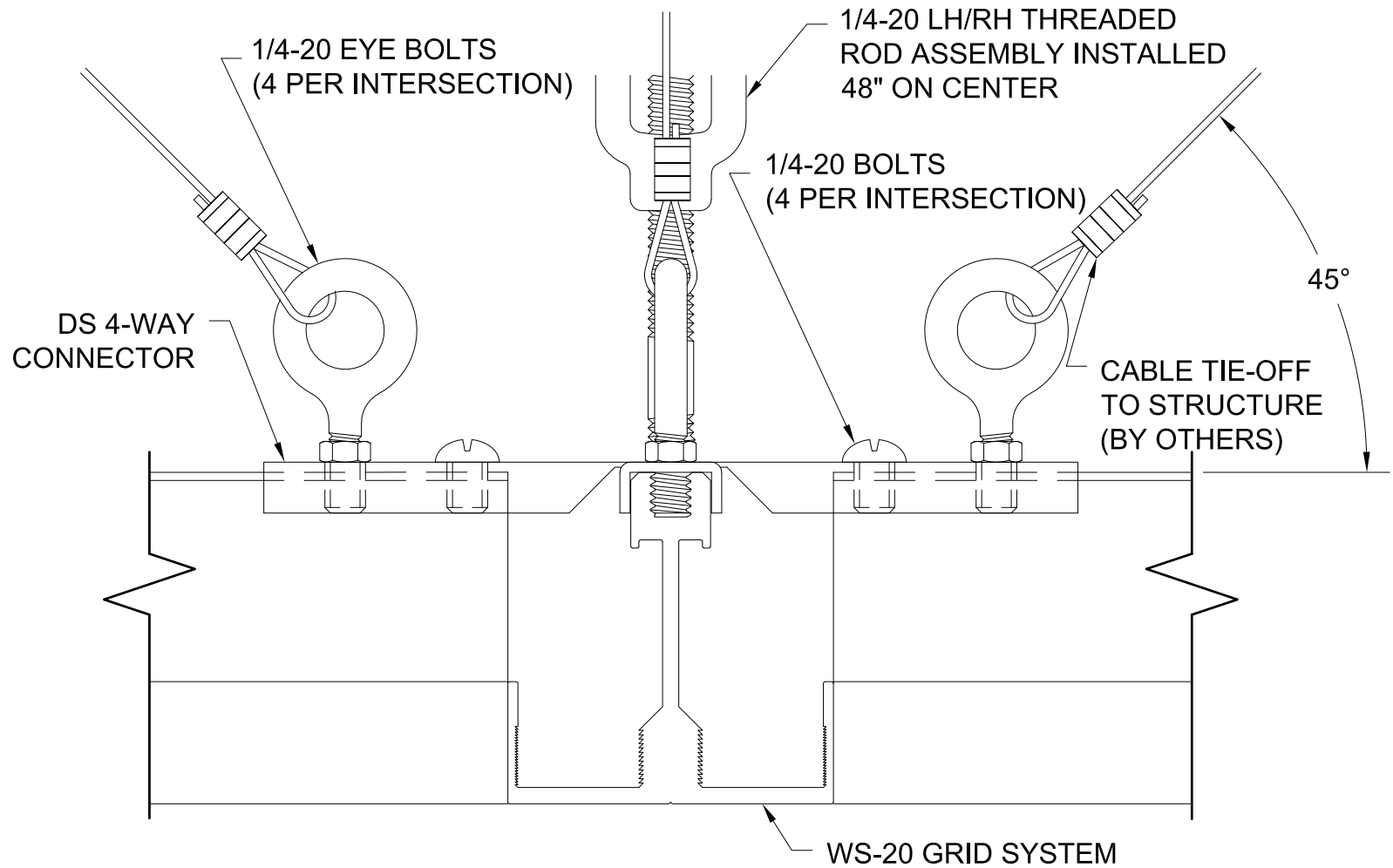
## TYPICAL GRID PLAN

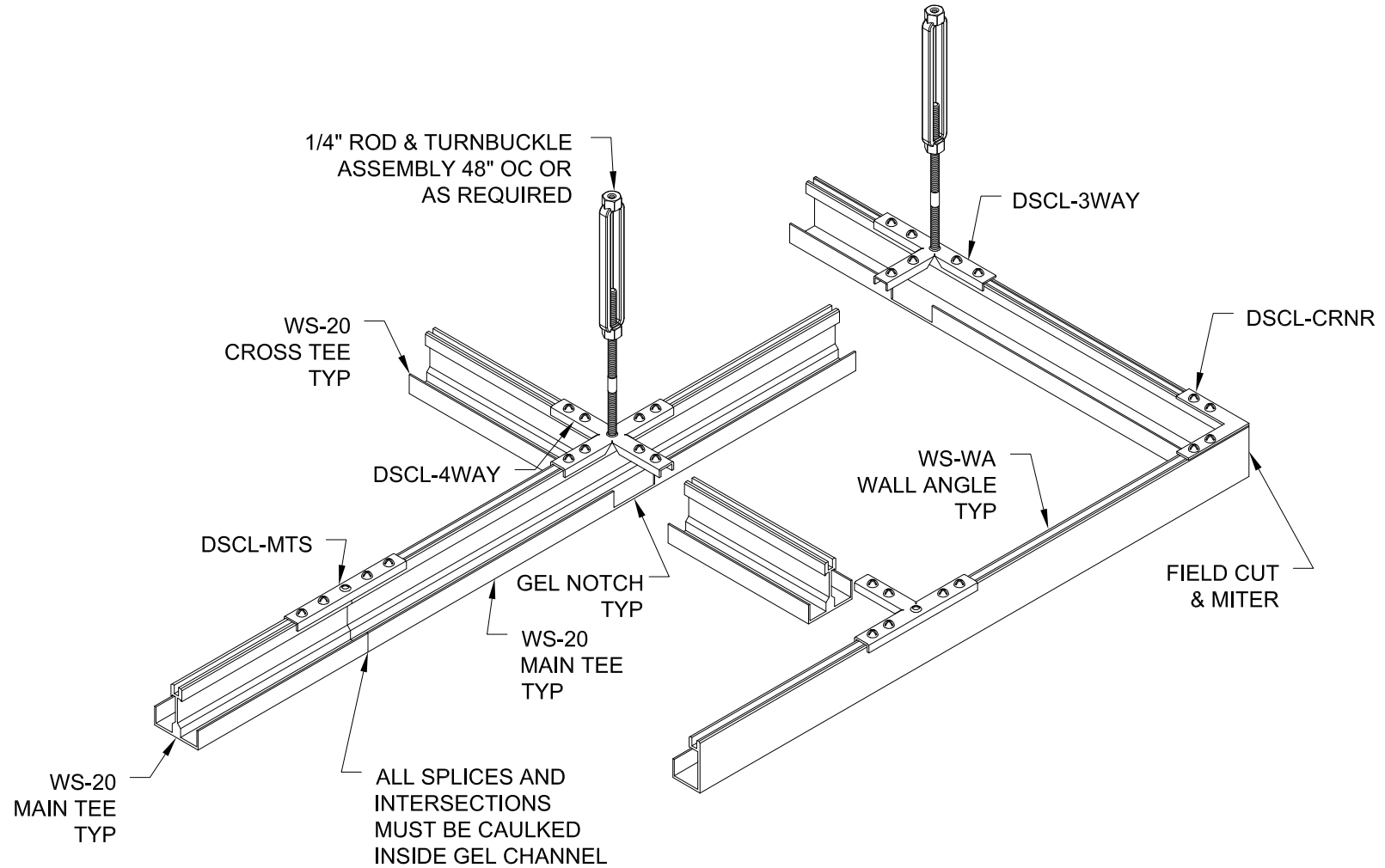
CONTACT GORDON CLEANROOM PRODUCTS DIVISION  
 FOR INFORMATION ON PANEL OPTIONS SIZED TO FIT THIS GRID MODULE

**GORDON**®  
 ARCHITECTURAL+ENGINEERED SOLUTIONS

5023 Hazel Jones Rd.  
 Bossier City, LA 71111  
 800.747.8954  
 GORDON-INC.COM  
 sales@gordon-inc.com

CLEANROOM CEILINGS  
 SUSPENSION - GEL SEAL - WS-20  
 24" / 48" GRID PLAN



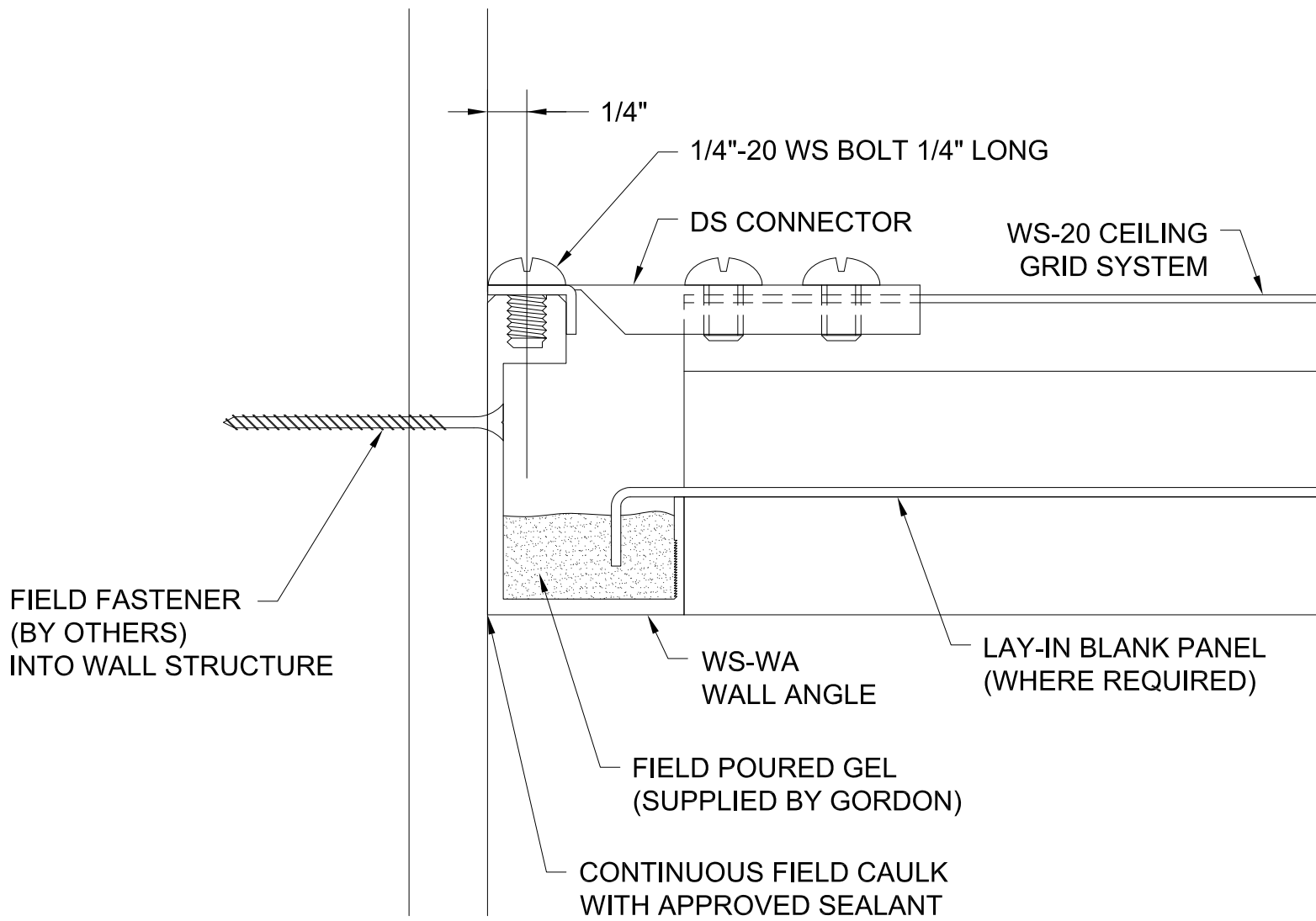


**GORDON**®  
ARCHITECTURAL+ENGINEERED SOLUTIONS

5023 Hazel Jones Rd.  
Bossier City, LA 71111  
800.747.8954  
GORDON-INC.COM  
sales@gordon-inc.com

**CLEANROOM CEILINGS  
SUSPENSION - GEL SEAL - WS-20  
FIXED PERIMETER ISOMETRIC**

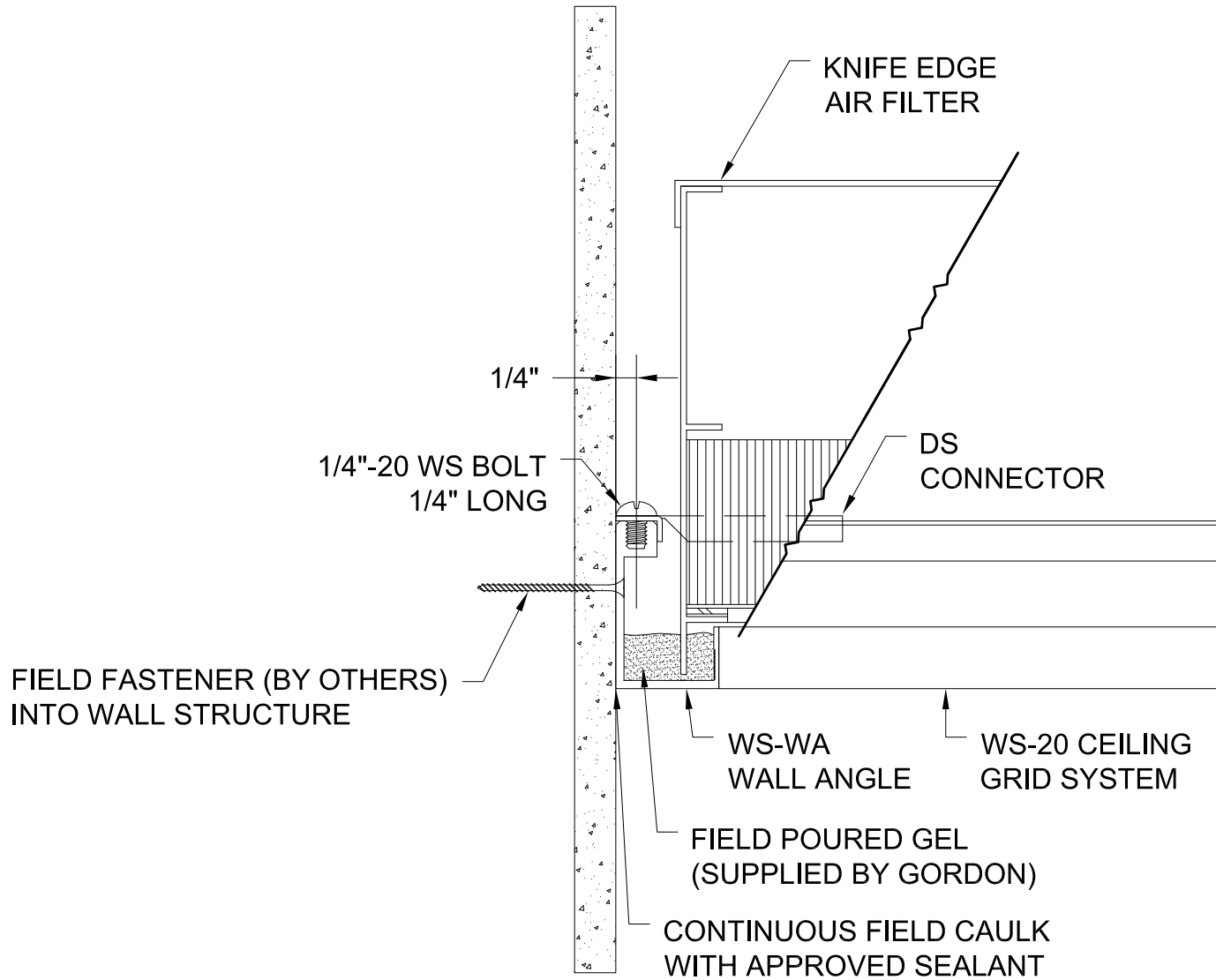




**GORDON**®  
 ARCHITECTURAL+ENGINEERED SOLUTIONS

5023 Hazel Jones Rd.  
 Bossier City, LA 71111  
 800.747.8954  
 GORDON-INC.COM  
 sales@gordon-inc.com

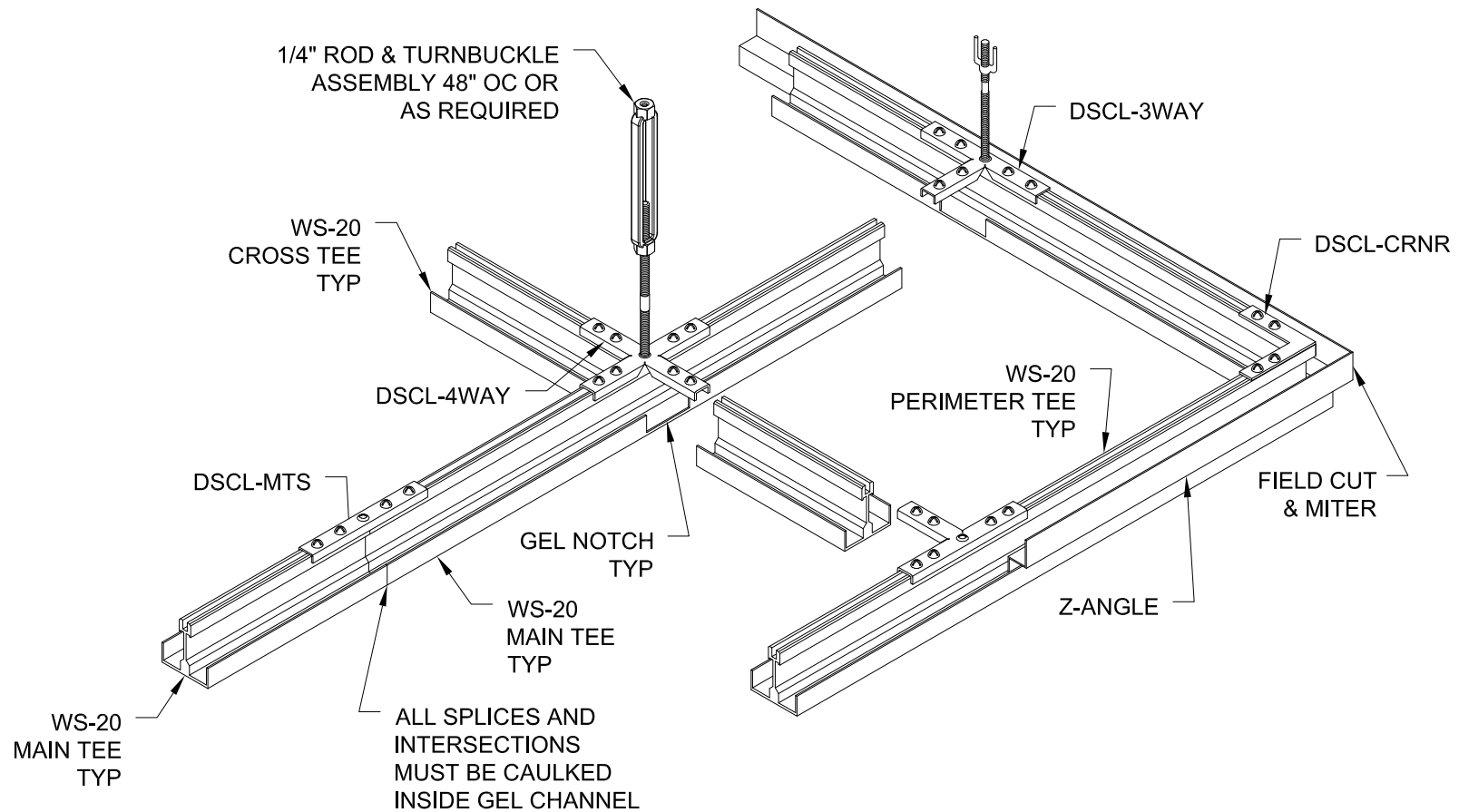
**CLEANROOM CEILINGS  
 SUSPENSION - GEL SEAL - WS-20  
 FIXED PERIMETER WITH BLANK PANEL**



**GORDON**<sup>®</sup>  
ARCHITECTURAL+ENGINEERED SOLUTIONS

5023 Hazel Jones Rd.  
Bossier City, LA 71111  
800.747.8954  
GORDON-INC.COM  
sales@gordon-inc.com

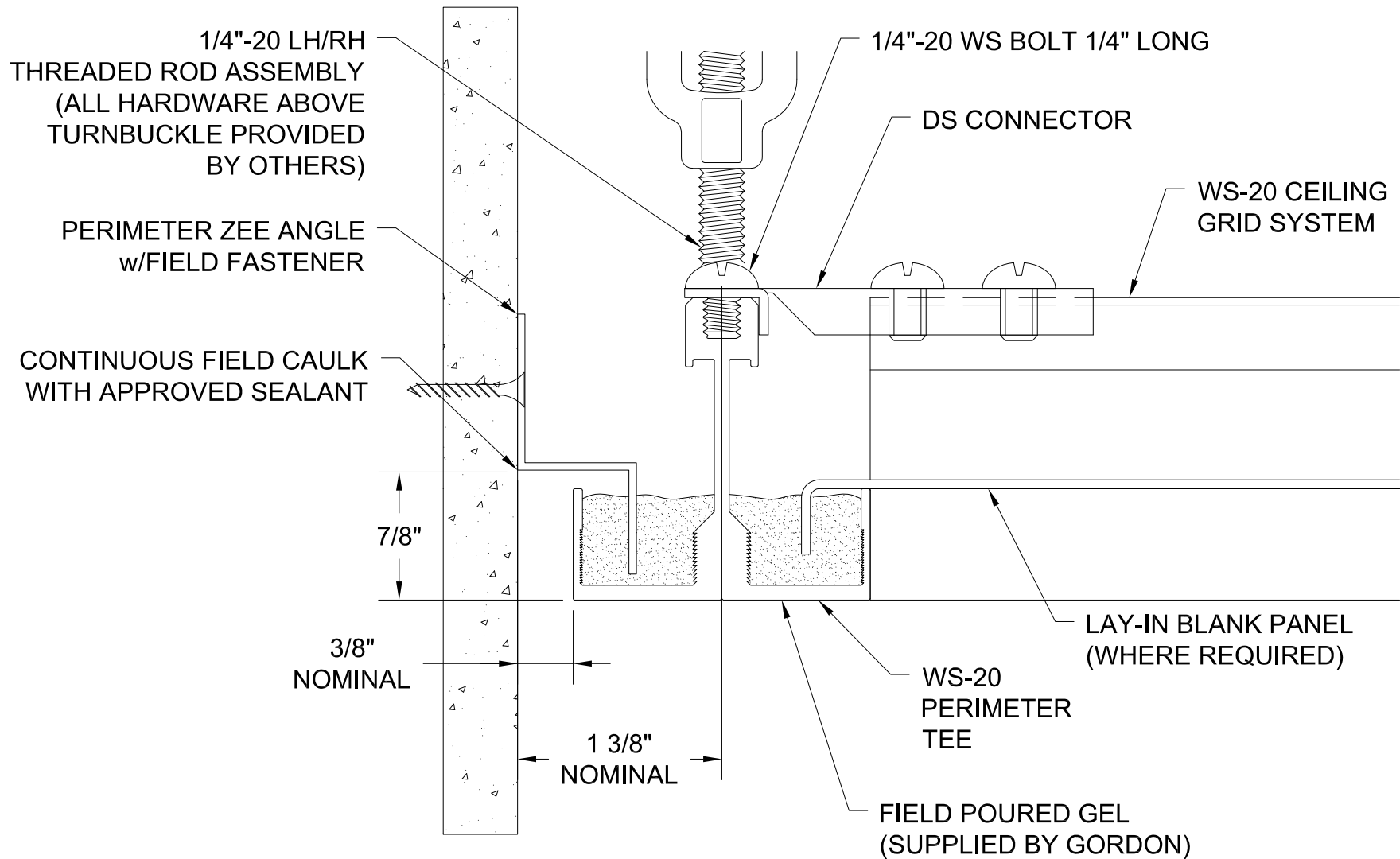
CLEANROOM CEILINGS  
SUSPENSION - GEL SEAL - WS-20  
FIXED PERIMETER WITH FILTER



**GORDON**<sup>®</sup>  
ARCHITECTURAL+ENGINEERED SOLUTIONS

5023 Hazel Jones Rd.  
Bossier City, LA 71111  
800.747.8954  
GORDON-INC.COM  
sales@gordon-inc.com

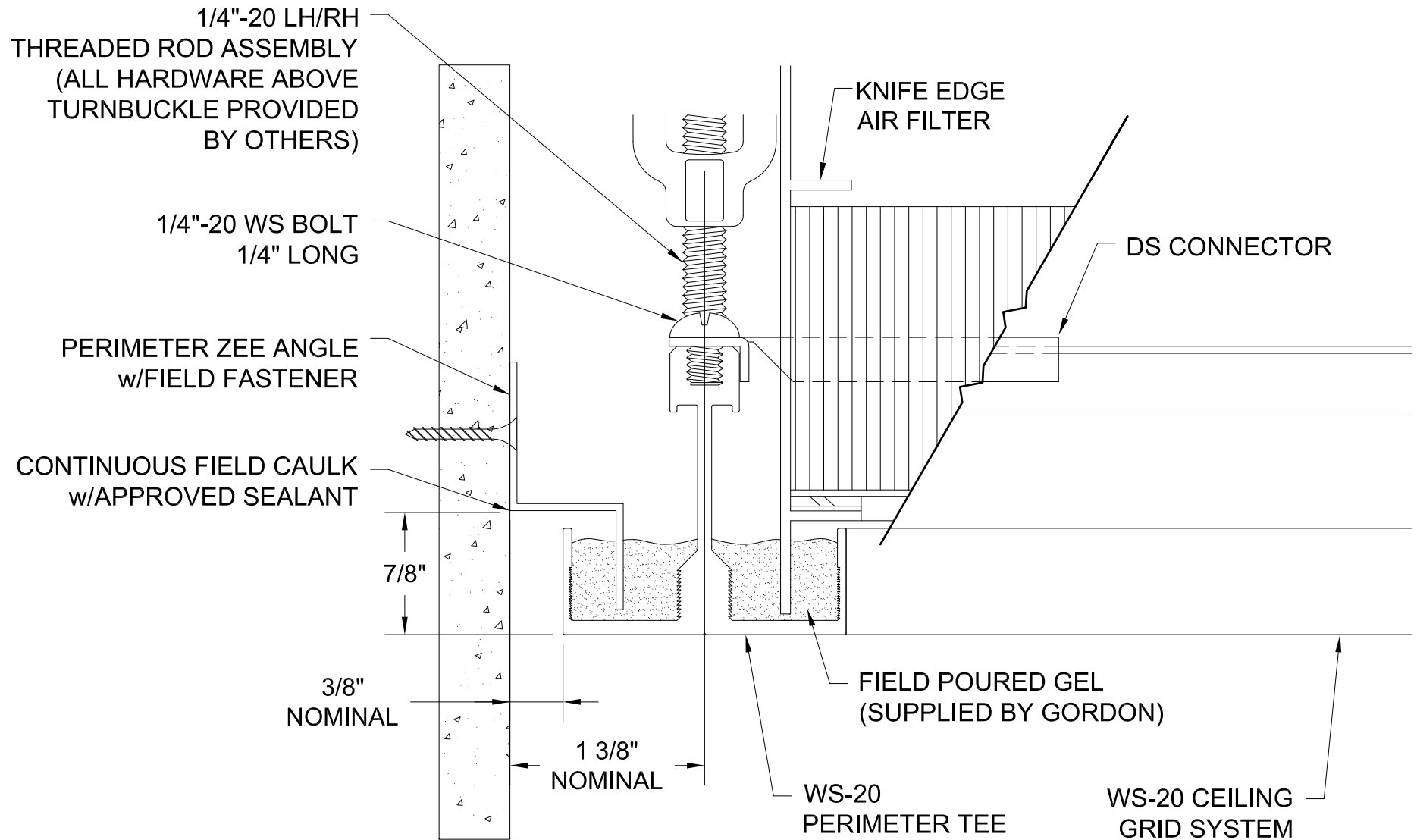
**CLEANROOM CEILINGS  
SUSPENSION - GEL SEAL - WS-20  
FLOATING PERIMETER ISOMETRIC**



**GORDON**<sup>®</sup>  
ARCHITECTURAL+ENGINEERED SOLUTIONS

5023 Hazel Jones Rd.  
Bossier City, LA 71111  
800.747.8954  
GORDON-INC.COM  
sales@gordon-inc.com

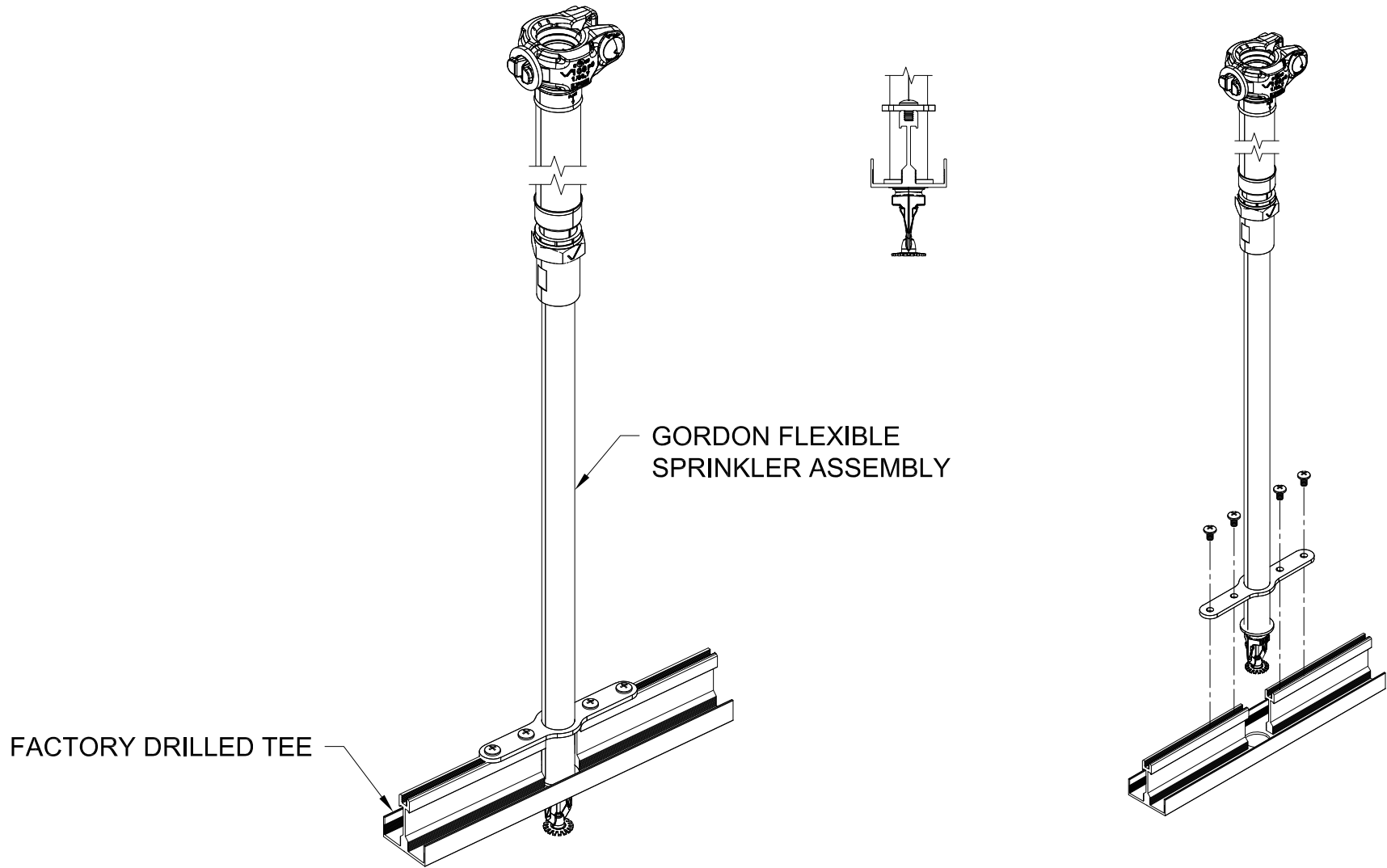
**CLEANROOM CEILINGS  
SUSPENSION - GEL SEAL - WS-20  
FLOATING PERIMETER WITH BLANK PANEL**



**GORDON**®  
ARCHITECTURAL+ENGINEERED SOLUTIONS

5023 Hazel Jones Rd.  
Bossier City, LA 71111  
800.747.8954  
GORDON-INC.COM  
sales@gordon-inc.com

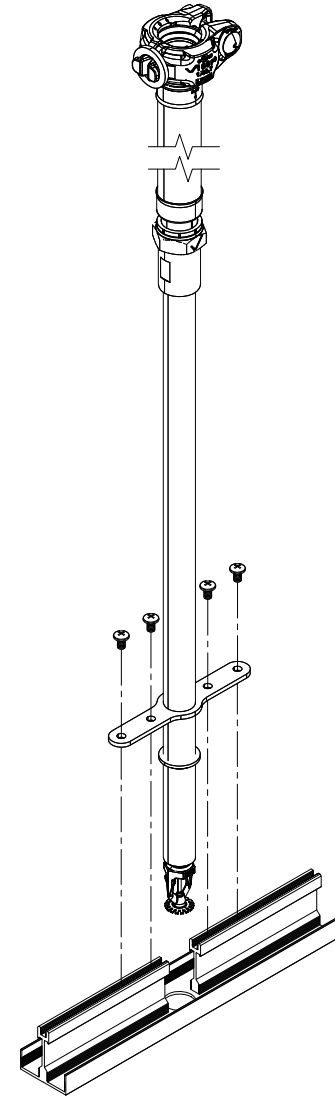
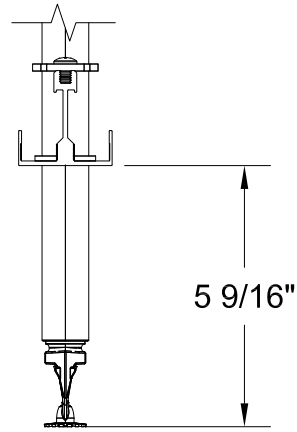
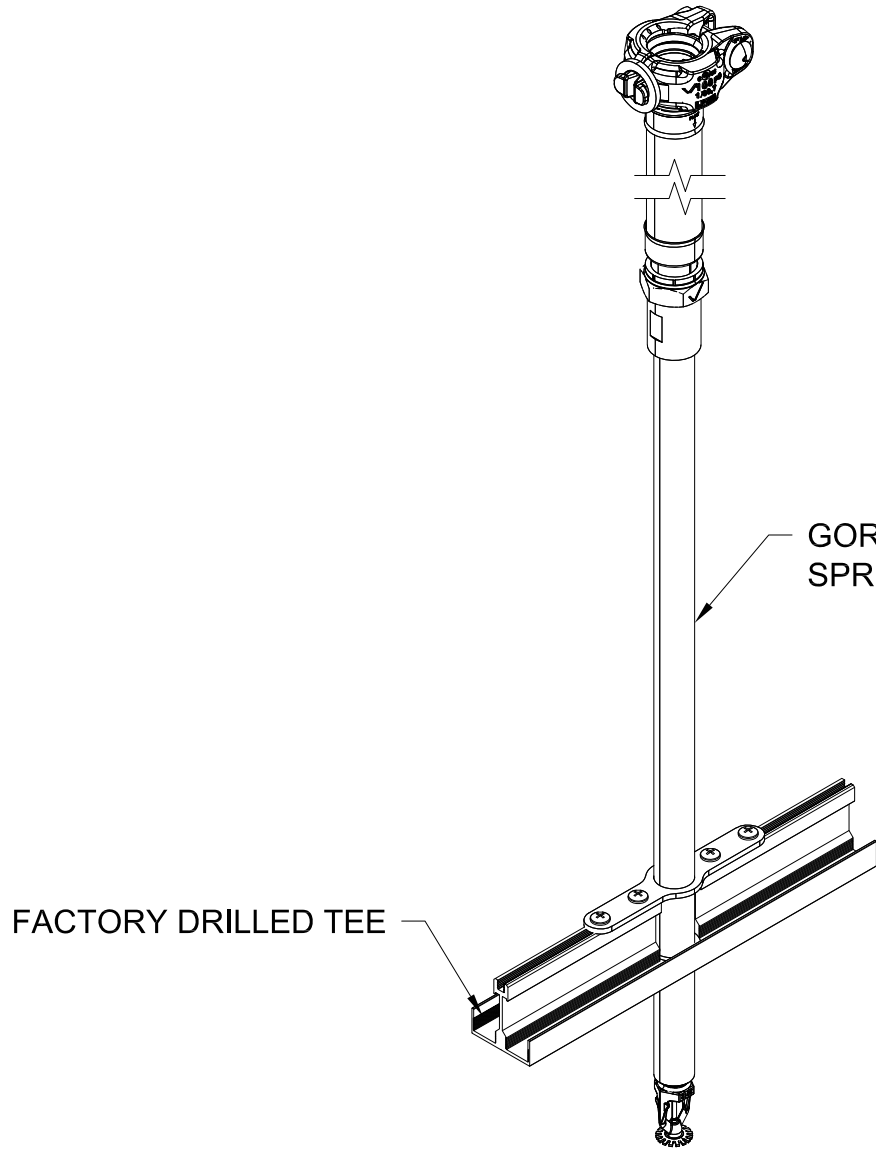
**CLEANROOM CEILINGS  
SUSPENSION - GEL SEAL - WS-20  
FLOATING PERIMETER WITH FILTER**



**GORDON**®  
ARCHITECTURAL+ENGINEERED SOLUTIONS

5023 Hazel Jones Rd.  
Bossier City, LA 71111  
800.747.8954  
GORDON-INC.COM  
sales@gordon-inc.com

CLEANROOM CEILINGS  
SUSPENSION-GEL SEAL-WS-20  
FLUSH SPRINKLER ASSEMBLY



**GORDON**®  
ARCHITECTURAL+ENGINEERED SOLUTIONS

5023 Hazel Jones Rd.  
Bossier City, LA 71111  
800.747.8954  
GORDON-INC.COM  
sales@gordon-inc.com

CLEANROOM CEILINGS  
SUSPENSION-GEL SEAL-WS-20  
EXTENDED SPRINKLER ASSEMBLY