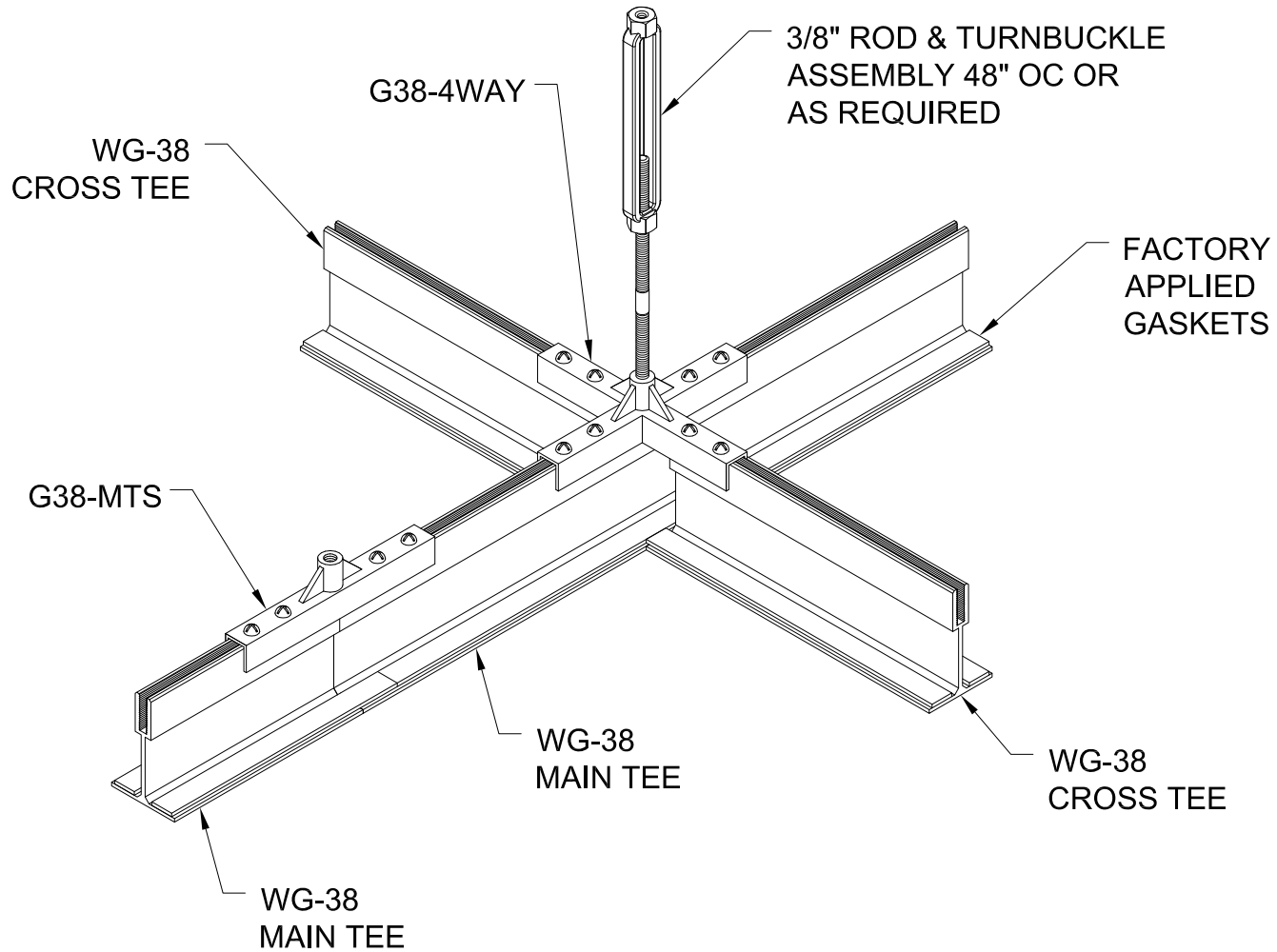


GORDON[®]
ARCHITECTURAL+ENGINEERED SOLUTIONS

5023 Hazel Jones Rd.
Bossier City, LA 71111
800.747.8954
GORDON-INC.COM
sales@gordon-inc.com

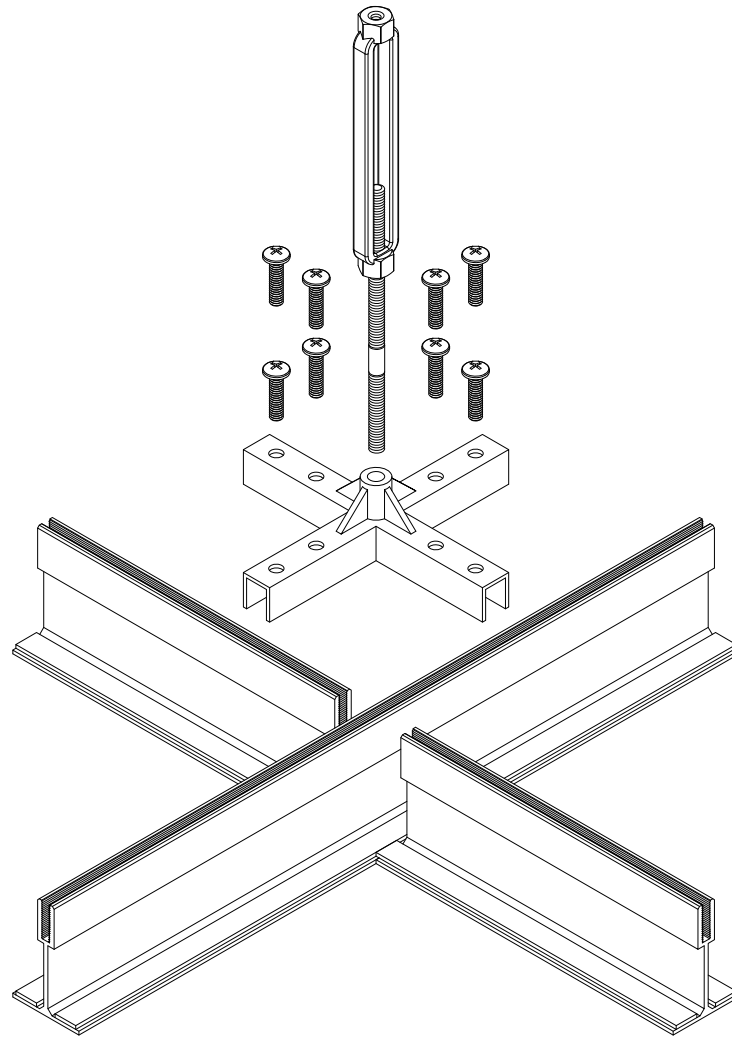
CLEANROOM CEILINGS
SUSPENSION - WALKABLE - WG-38
MAIN / CROSS TEE



GORDON[®]
ARCHITECTURAL+ENGINEERED SOLUTIONS

5023 Hazel Jones Rd.
Bossier City, LA 71111
800.747.8954
GORDON-INC.COM
sales@gordon-inc.com

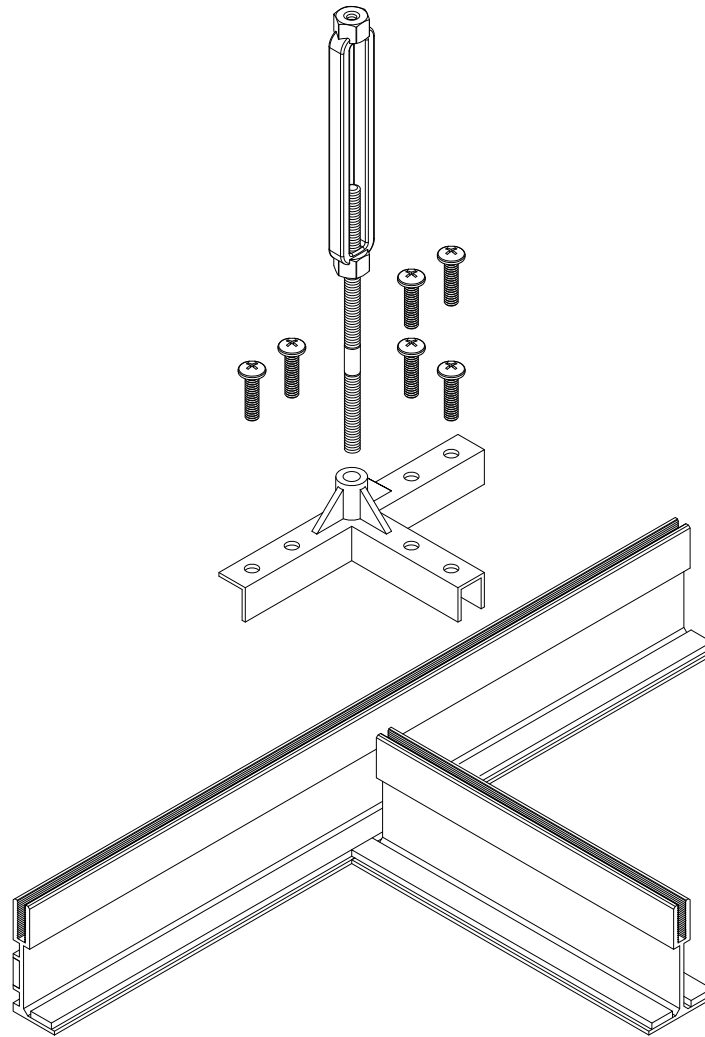
CLEANROOM CEILINGS
SUSPENSION - WALKABLE - WG-38
GRID ISOMETRIC



GORDON®
ARCHITECTURAL+ENGINEERED SOLUTIONS

5023 Hazel Jones Rd.
Bossier City, LA 71111
800.747.8954
GORDON-INC.COM
sales@gordon-inc.com

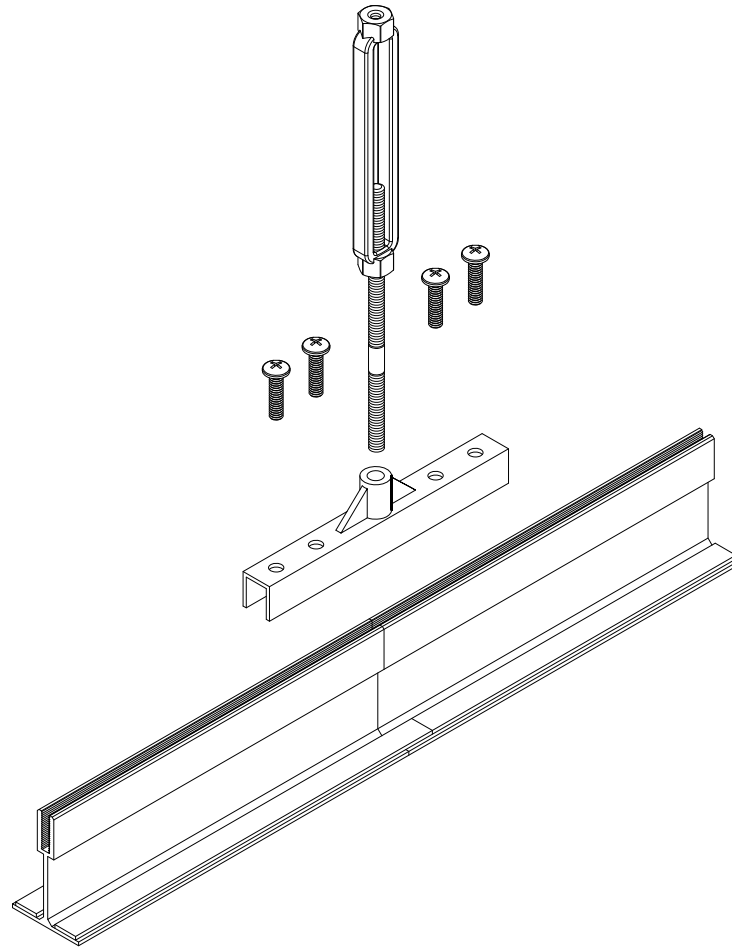
CLEANROOM CEILINGS
SUSPENSION - WALKABLE - WG-38
4-WAY CONNECTOR



GORDON®
ARCHITECTURAL+ENGINEERED SOLUTIONS

5023 Hazel Jones Rd.
Bossier City, LA 71111
800.747.8954
GORDON-INC.COM
sales@gordon-inc.com

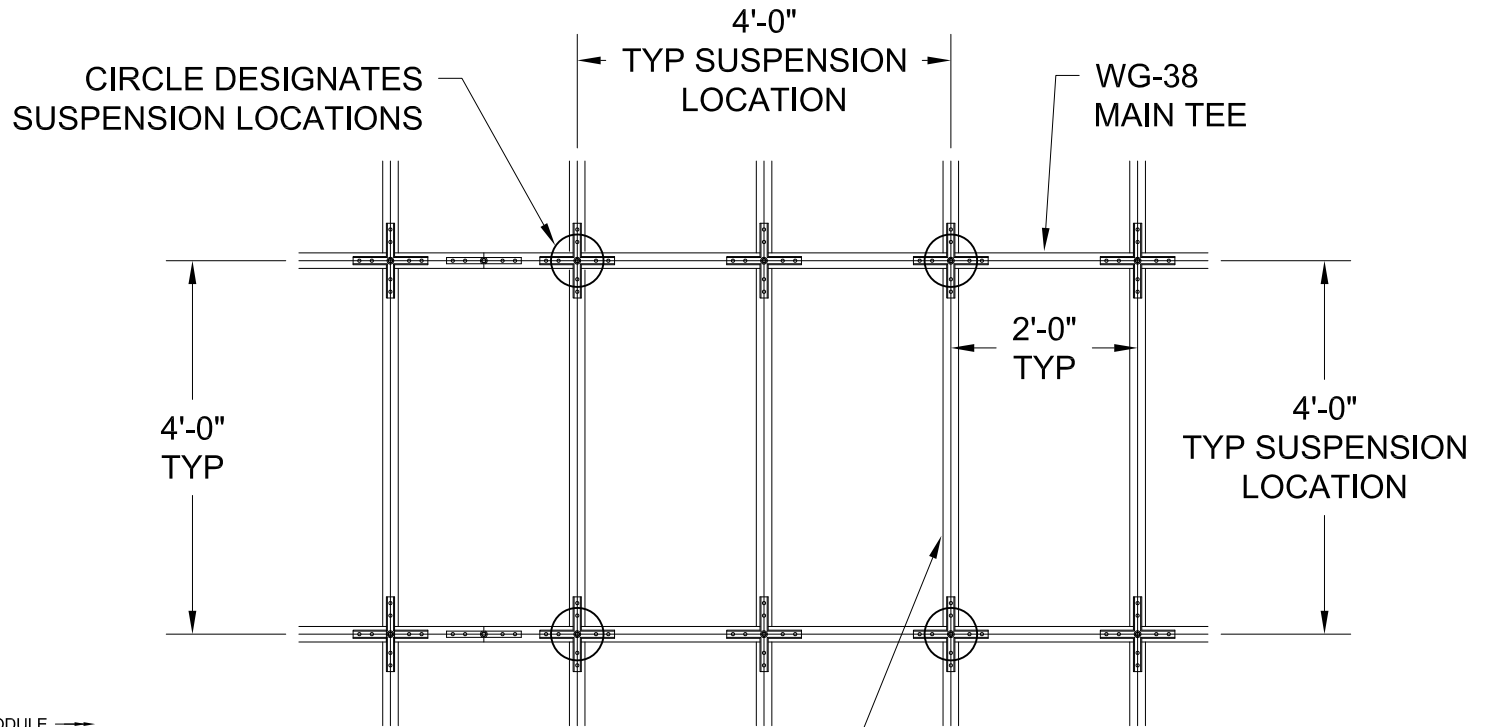
CLEANROOM CEILINGS
SUSPENSION - WALKABLE - WG-38
3-WAY CONNECTOR



GORDON®
ARCHITECTURAL+ENGINEERED SOLUTIONS

5023 Hazel Jones Rd.
Bossier City, LA 71111
800.747.8954
GORDON-INC.COM
sales@gordon-inc.com

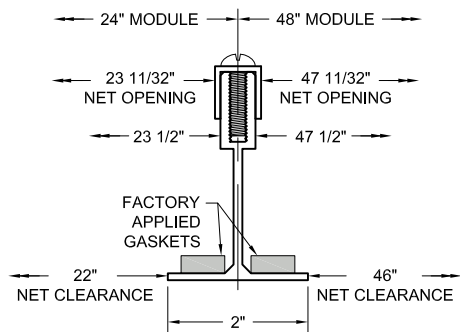
CLEANROOM CEILINGS
SUSPENSION - WALKABLE - WG-38
MTS CONNECTOR



WG-38
CROSS TEE

TYPICAL GRID PLAN

CONTACT GORDON CLEANROOM PRODUCTS DIVISION
FOR INFORMATION ON PANEL OPTIONS SIZED TO FIT THIS GRID MODULE

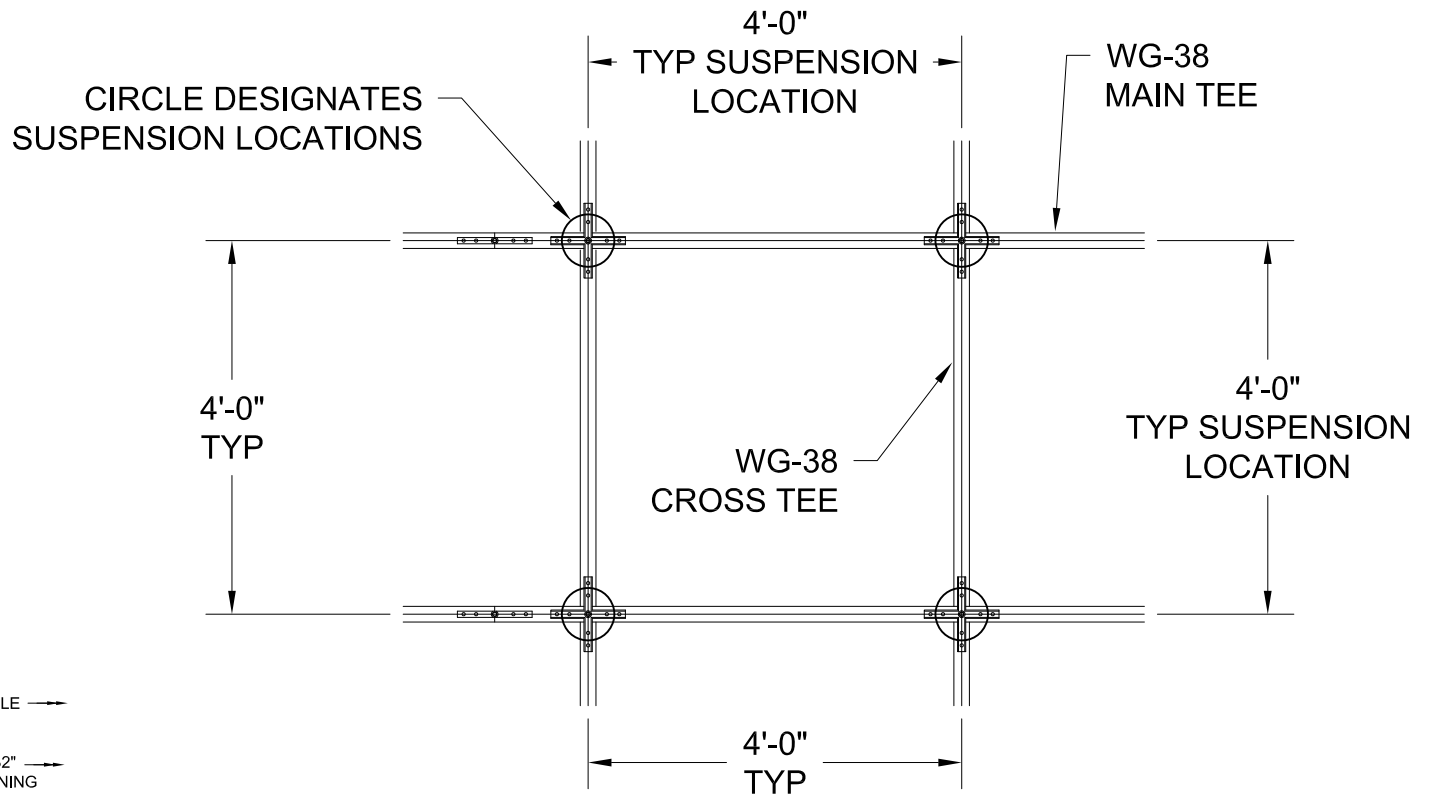


MODULE SIZING (NOT TO SCALE)
FILTERS/FIXTURES DIMENSIONS
ARE TYPICALLY MODULE SIZE LESS 7/8" (MAXIMUM O.D.)

GORDON®
ARCHITECTURAL+ENGINEERED SOLUTIONS

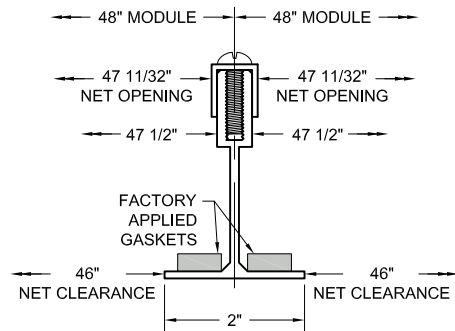
5023 Hazel Jones Rd.
Bossier City, LA 71111
800.747.8954
GORDON-INC.COM
sales@gordon-inc.com

CLEANROOM CEILINGS
SUSPENSION - WALKABLE - WG-38
24" / 48" GRID PLAN



TYPICAL GRID PLAN

CONTACT GORDON CLEANROOM PRODUCTS DIVISION
FOR INFORMATION ON PANEL OPTIONS SIZED TO FIT THIS GRID MODULE

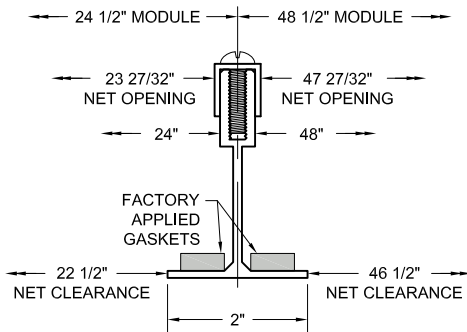
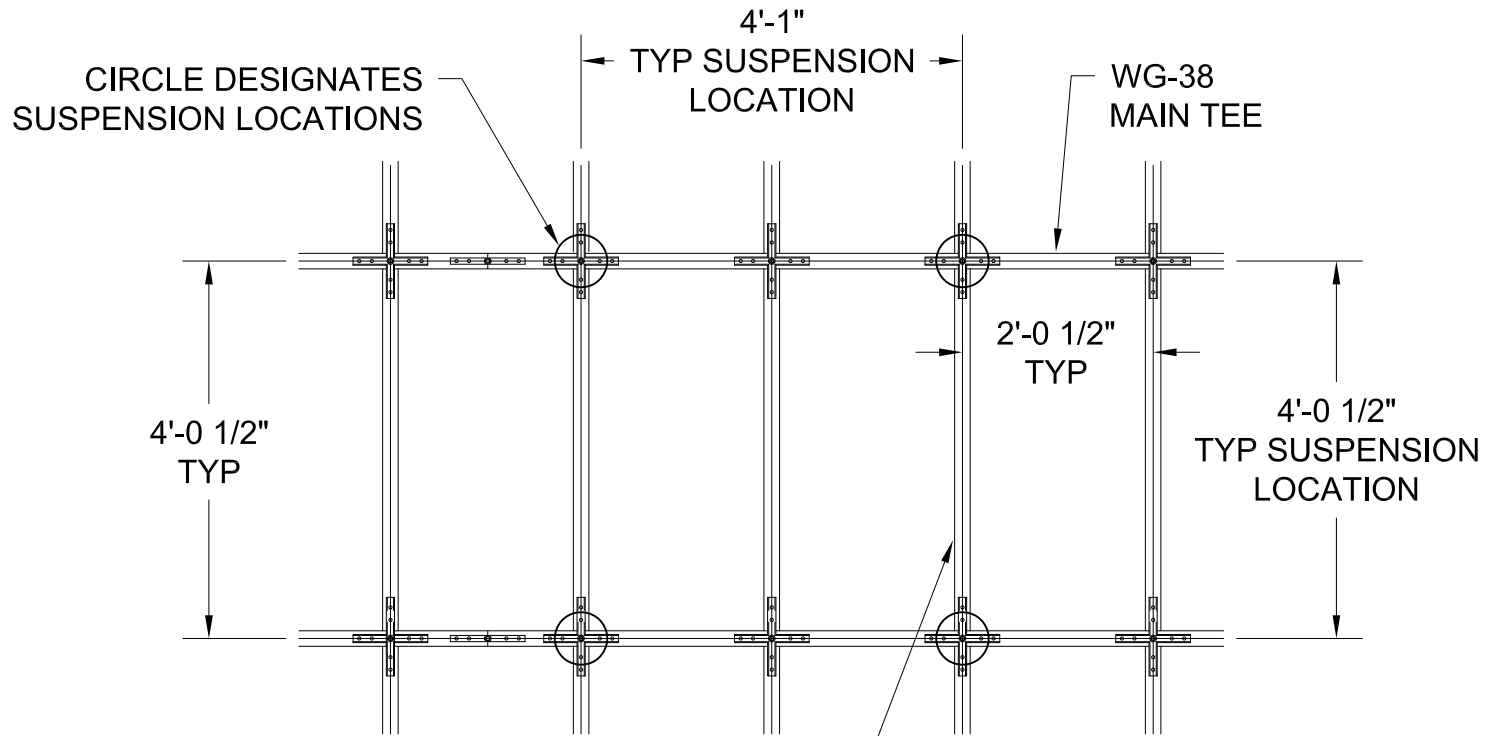


MODULE SIZING (NOT TO SCALE)
FILTERS/FIXTURES DIMENSIONS
ARE TYPICALLY MODULE SIZE LESS 7/8" (MAXIMUM O.D.)

GORDON®
ARCHITECTURAL+ENGINEERED SOLUTIONS

5023 Hazel Jones Rd.
Bossier City, LA 71111
800.747.8954
GORDON-INC.COM
sales@gordon-inc.com

CLEANROOM CEILINGS
SUSPENSION - WALKABLE - WG-38
48" / 48" GRID PLAN



MODULE SIZING (NOT TO SCALE)
 FILTERS/FIXTURES DIMENSIONS
 ARE TYPICALLY MODULE SIZE LESS 7/8" (MAXIMUM O.D.)

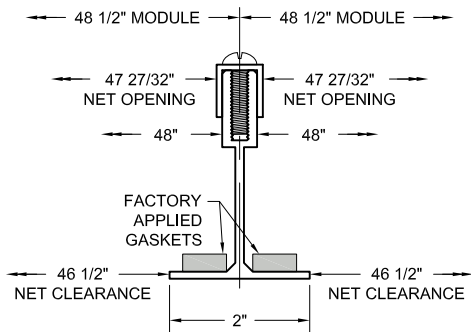
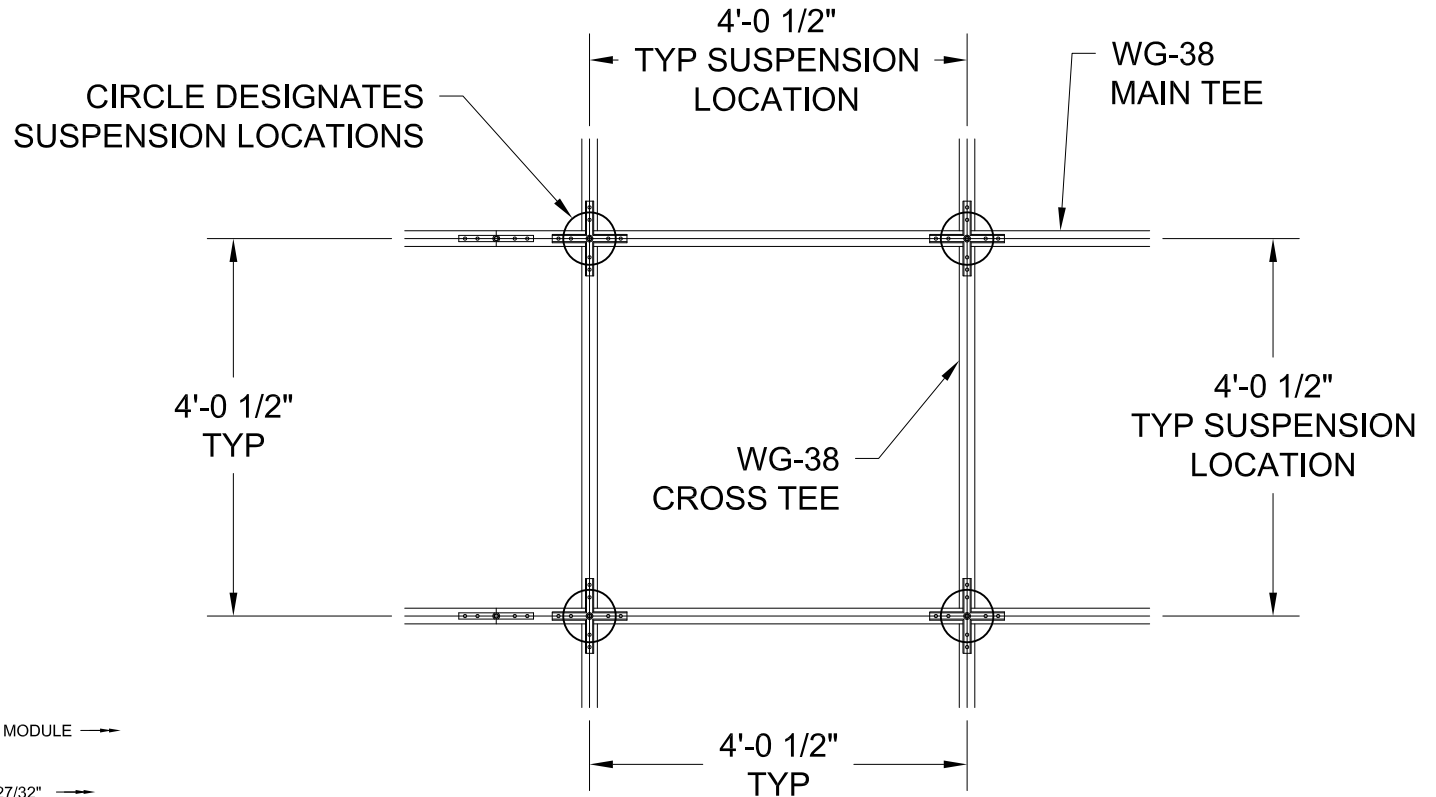
TYPICAL GRID PLAN

CONTACT GORDON CLEANROOM PRODUCTS DIVISION
 FOR INFORMATION ON PANEL OPTIONS SIZED TO FIT THIS GRID MODULE

GORDON®
 ARCHITECTURAL+ENGINEERED SOLUTIONS

5023 Hazel Jones Rd.
 Bossier City, LA 71111
 800.747.8954
 GORDON-INC.COM
 sales@gordon-inc.com

CLEANROOM CEILINGS
 SUSPENSION - WALKABLE - WG-38
 24 1/2" / 48 1/2" GRID PLAN



MODULE SIZING (NOT TO SCALE)
 FILTERS/FIXTURES DIMENSIONS
 ARE TYPICALLY MODULE SIZE LESS 7/8" (MAXIMUM O.D.)

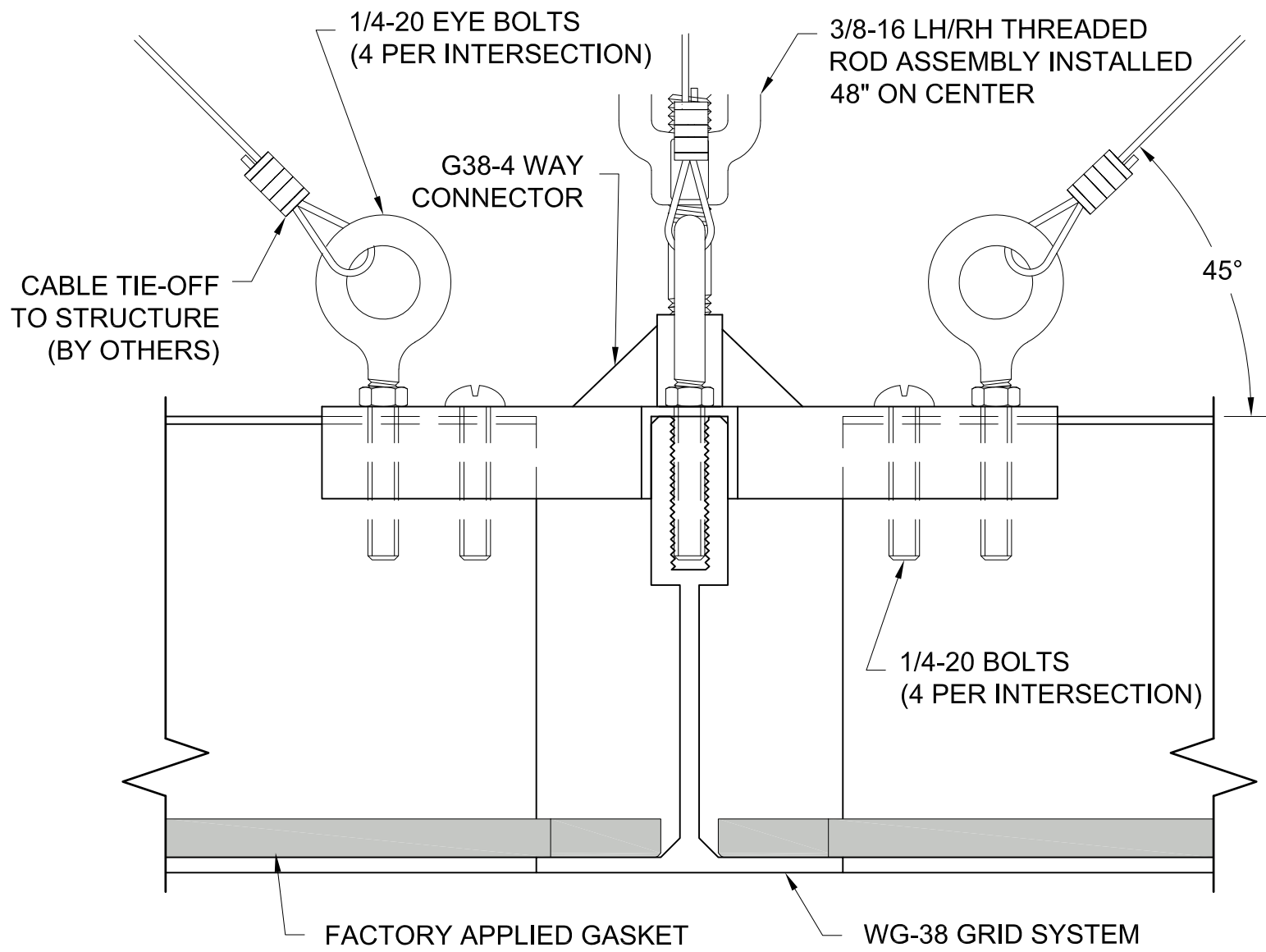
TYPICAL GRID PLAN

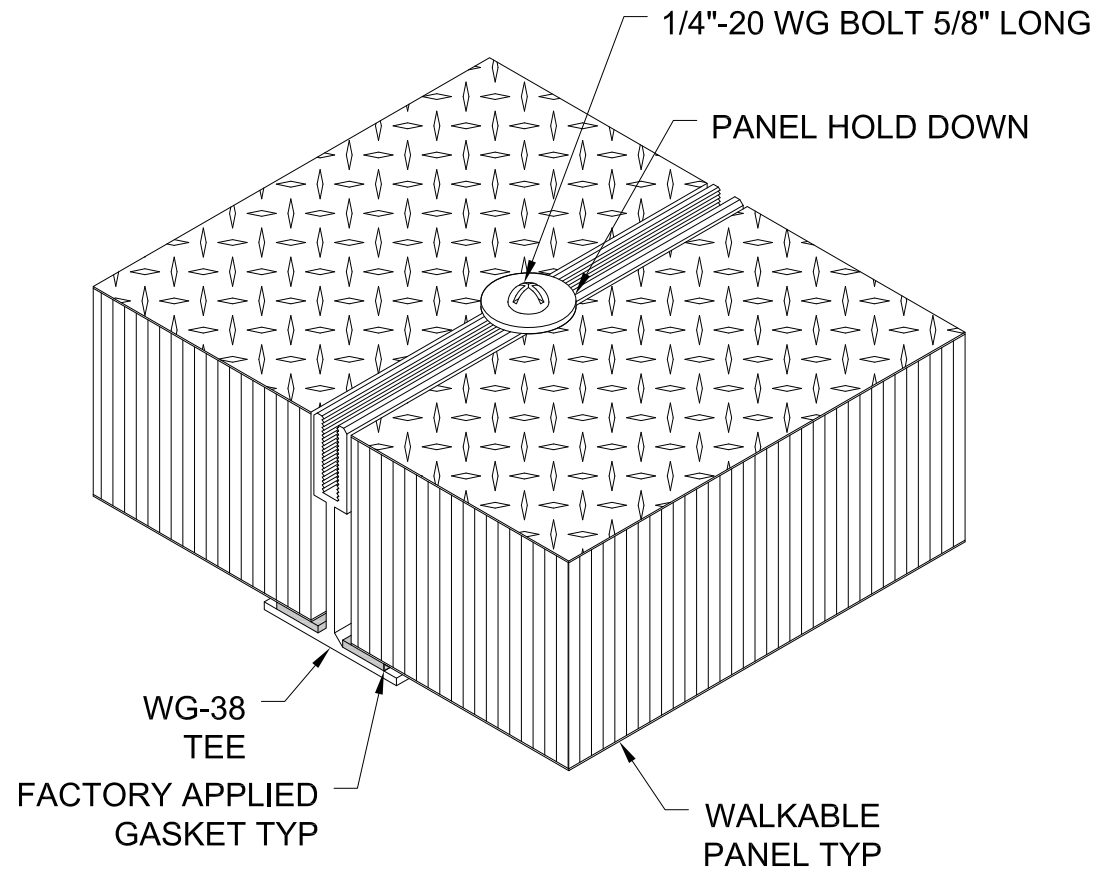
CONTACT GORDON CLEANROOM PRODUCTS DIVISION
 FOR INFORMATION ON PANEL OPTIONS SIZED TO FIT THIS GRID MODULE

GORDON®
 ARCHITECTURAL+ENGINEERED SOLUTIONS

5023 Hazel Jones Rd.
 Bossier City, LA 71111
 800.747.8954
 GORDON-INC.COM
 sales@gordon-inc.com

CLEANROOM CEILINGS
 SUSPENSION - WALKABLE - WG-38
 48 1/2" / 48 1/2" GRID PLAN

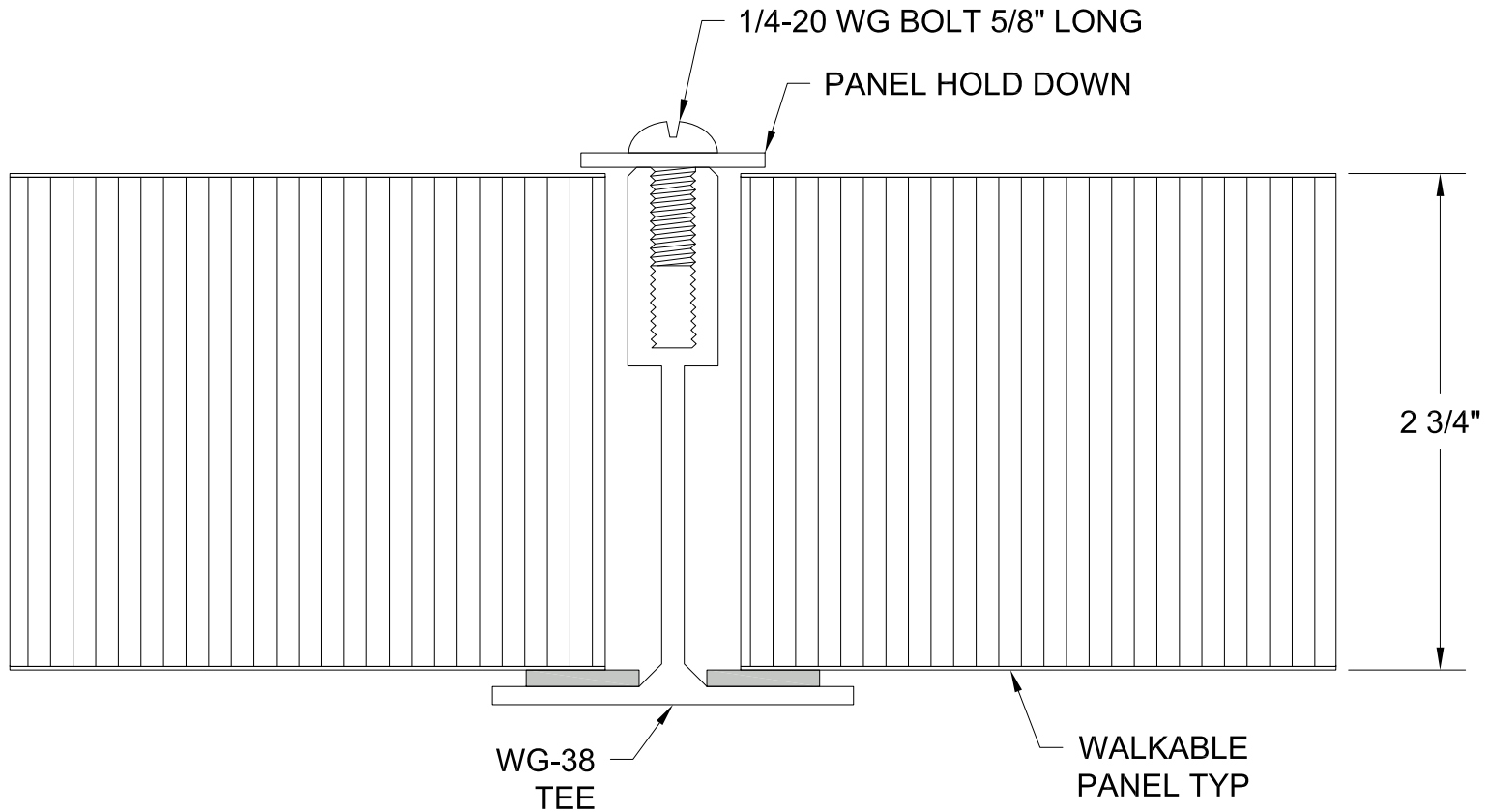




GORDON®
ARCHITECTURAL+ENGINEERED SOLUTIONS

5023 Hazel Jones Rd.
Bossier City, LA 71111
800.747.8954
GORDON-INC.COM
sales@gordon-inc.com

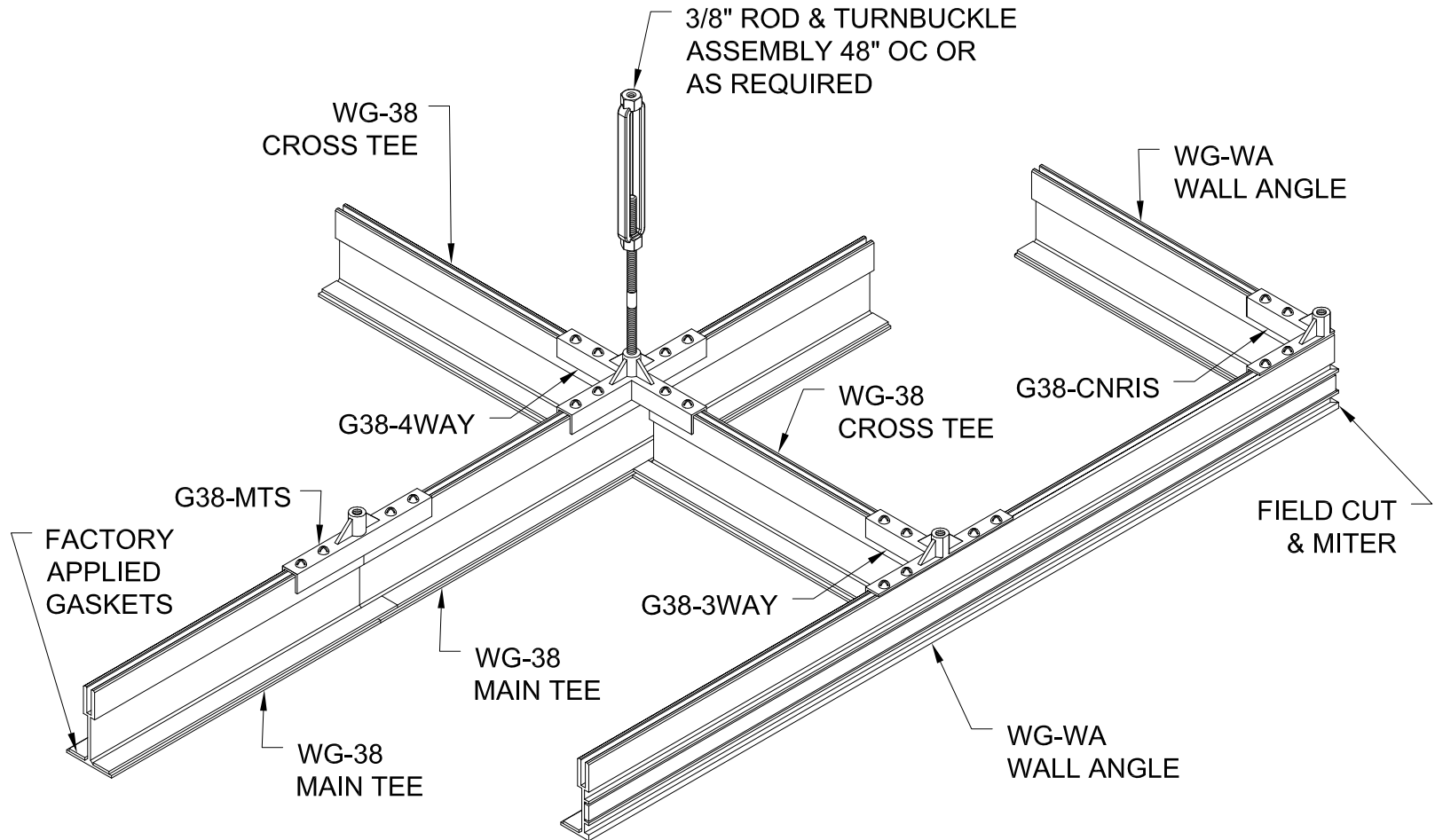
CLEANROOM CEILINGS
SUSPENSION - WALKABLE - WG-38
WALKABLE PANEL ISOMETRIC



GORDON[®]
ARCHITECTURAL+ENGINEERED SOLUTIONS

5023 Hazel Jones Rd.
Bossier City, LA 71111
800.747.8954
GORDON-INC.COM
sales@gordon-inc.com

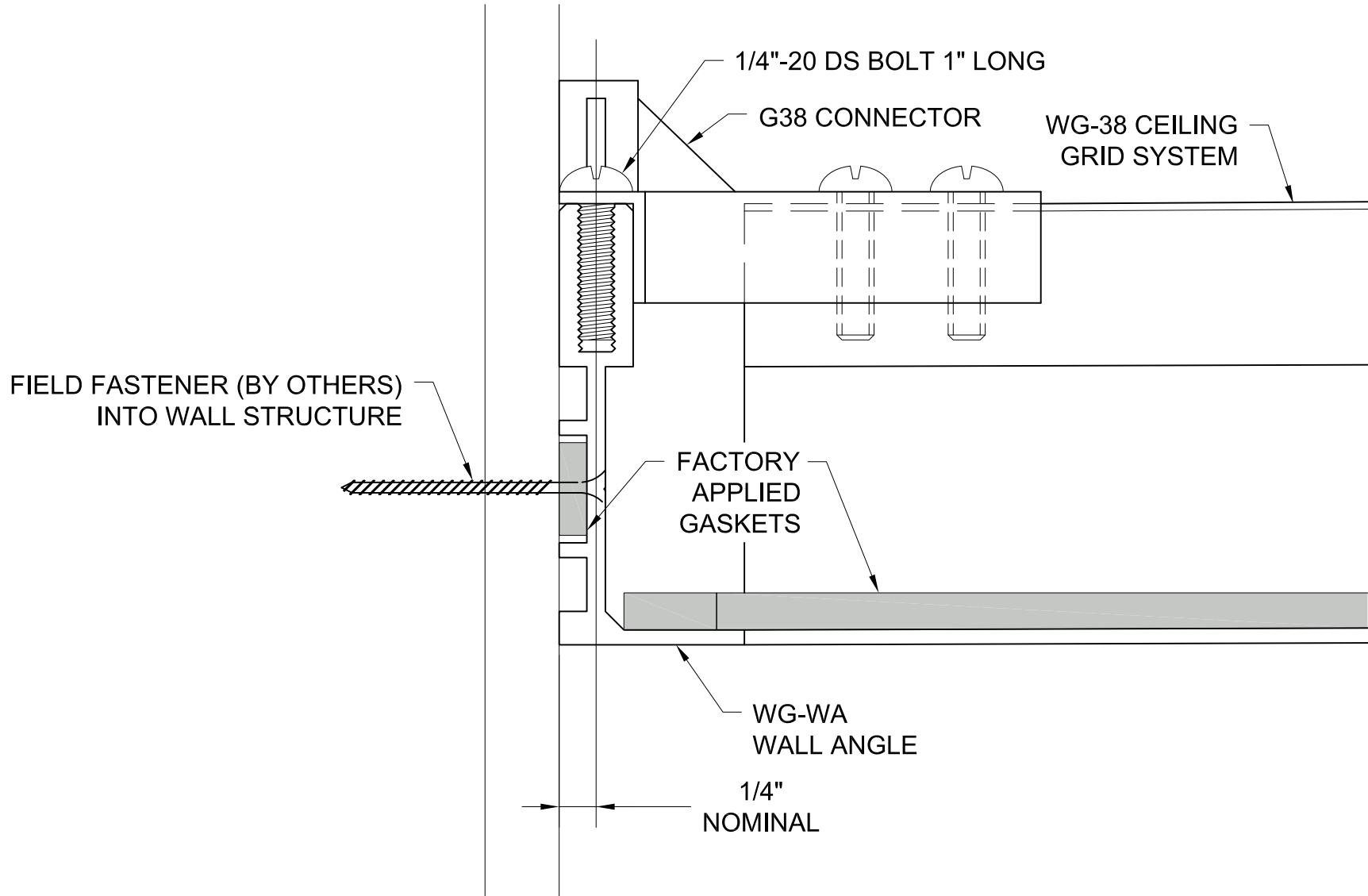
CLEANROOM CEILINGS
SUSPENSION - WALKABLE - WG-38
WALKABLE PANEL SECTION

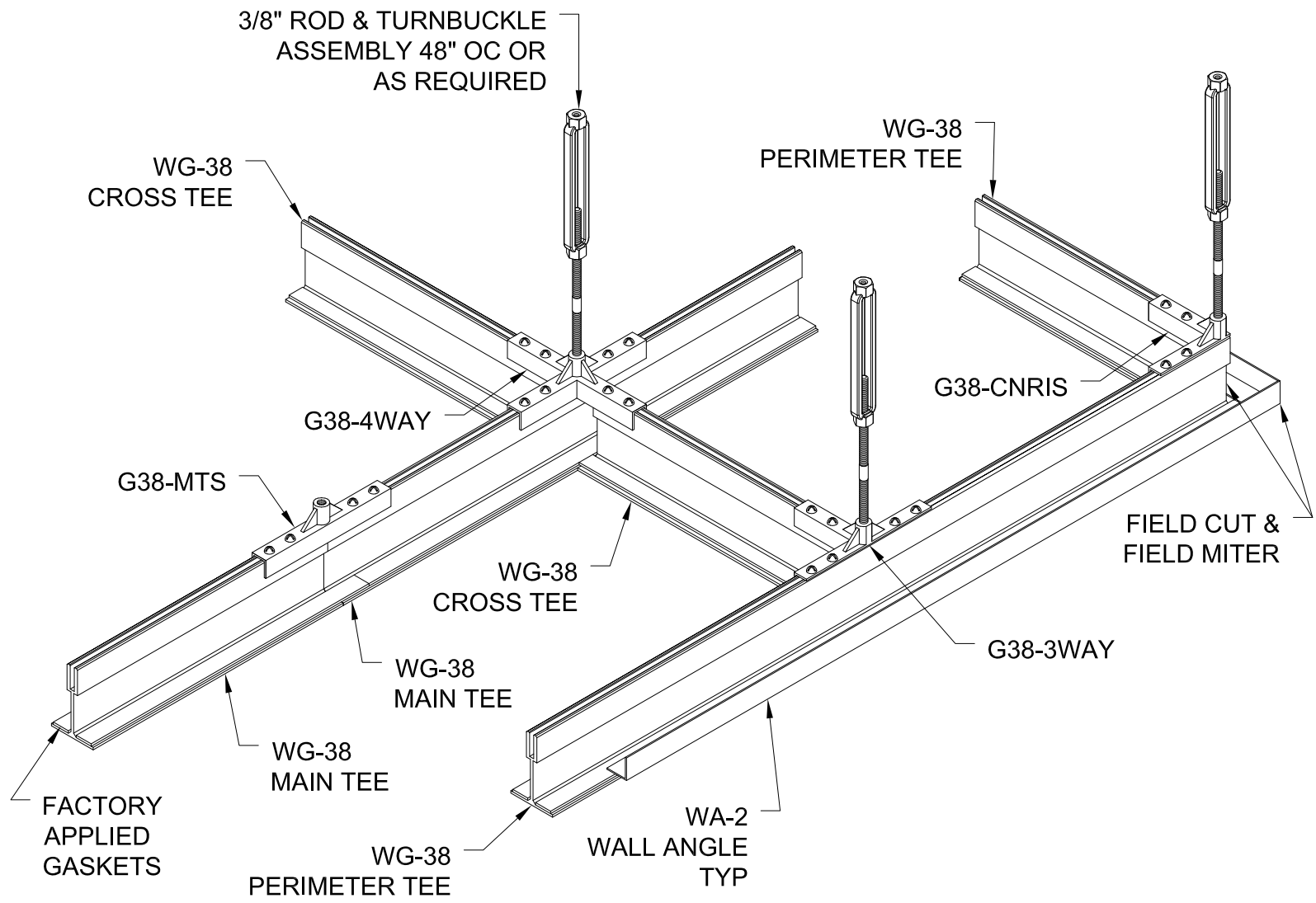


GORDON[®]
ARCHITECTURAL+ENGINEERED SOLUTIONS

5023 Hazel Jones Rd.
Bossier City, LA 71111
800.747.8954
GORDON-INC.COM
sales@gordon-inc.com

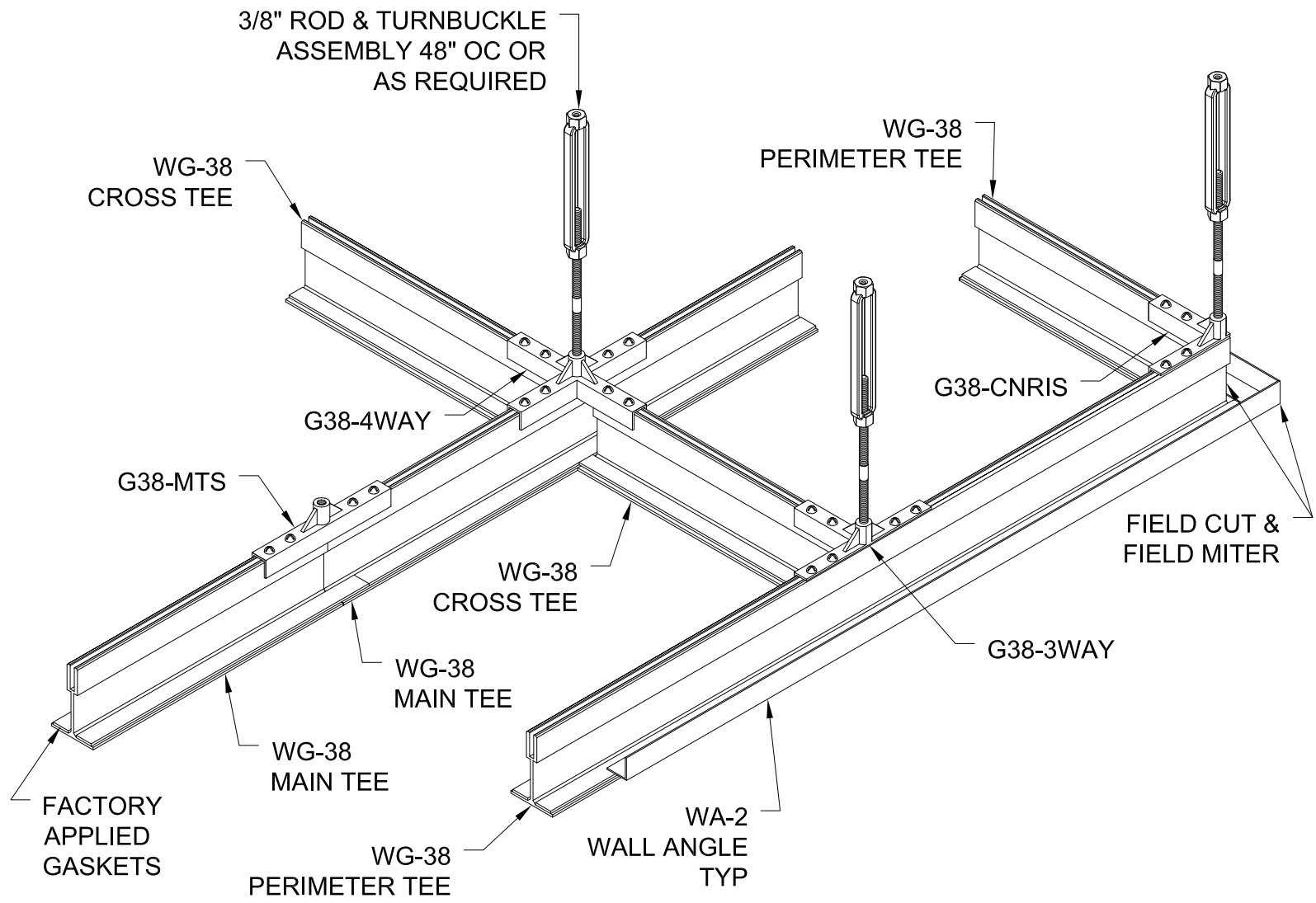
CLEANROOM CEILINGS
SUSPENSION - WALKABLE - WG-38
FIXED PERIMETER ISOMETRIC





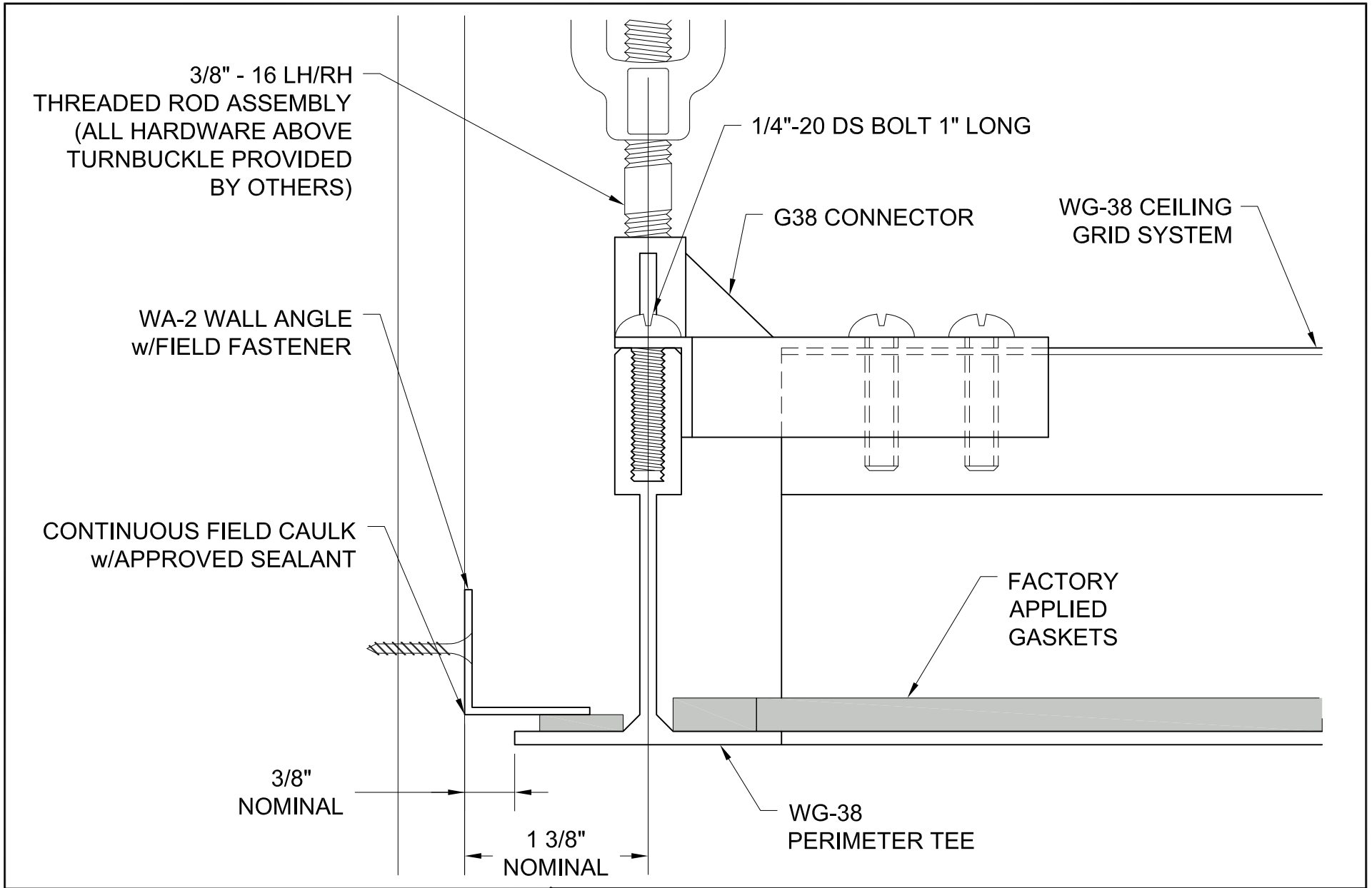
GORDON® ARCHITECTURAL+ENGINEERED SOLUTIONS
 5023 Hazel Jones Rd.
 Bossier City, LA 71111
 800.747.8954
 GORDON-INC.COM
 sales@gordon-inc.com

**CLEANROOM CEILINGS
 SUSPENSION - WALKABLE - WG-38
 FLOATING PERIMETER ISOMETRIC**



GORDON® ARCHITECTURAL+ENGINEERED SOLUTIONS
 5023 Hazel Jones Rd.
 Bossier City, LA 71111
 800.747.8954
 GORDON-INC.COM
 sales@gordon-inc.com

**CLEANROOM CEILINGS
 SUSPENSION - WALKABLE - WG-38
 FLOATING PERIMETER ISOMETRIC**



GORDON®
ARCHITECTURAL+ENGINEERED SOLUTIONS

5023 Hazel Jones Rd.
Bossier City, LA 71111
800.747.8954
GORDON-INC.COM
sales@gordon-inc.com

**CLEANROOM CEILINGS
SUSPENSION - WALKABLE - WG-38
FLOATING PERIMETER SECTION**

FIELD FASTENER (BY OTHERS)
INTO WALL STRUCTURE

WA-2

WG-38 GRID

ANCHOR
STRIP

FIELD FASTENER (BY OTHERS)
INTO WALL STRUCTURE

R2 7/16"

CONTINUOUS FIELD CAULK
WITH APPROVED SEALANT

OPTIONAL
FIELD
FASTENER
(BY OTHERS)

CleanCove

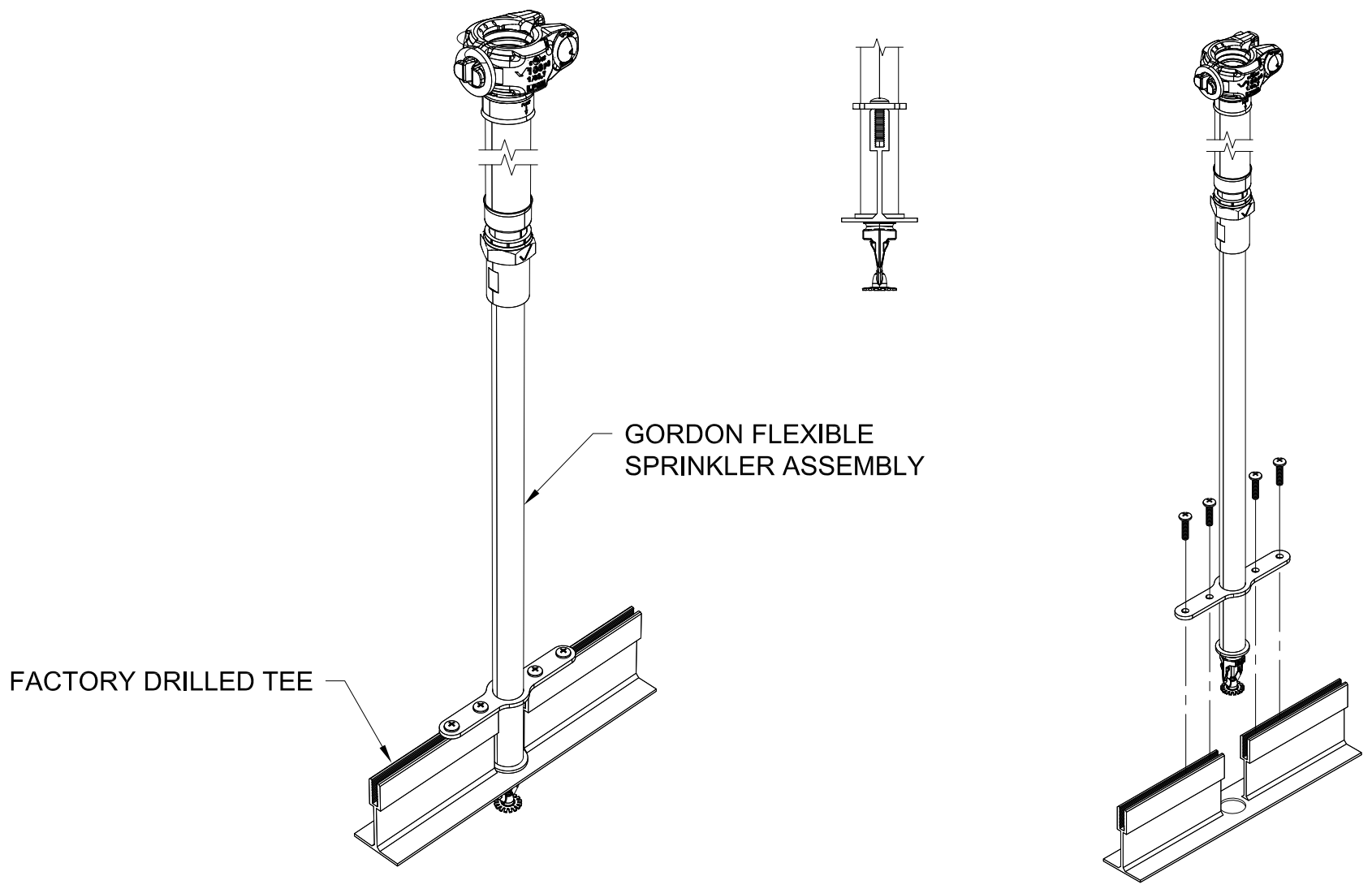
CONTINUOUS FIELD CAULK
WITH APPROVED SEALANT

2 3/16"

GORDON®
ARCHITECTURAL+ENGINEERED SOLUTIONS

5023 Hazel Jones Rd.
Bossier City, LA 71111
800.747.8954
GORDON-INC.COM
sales@gordon-inc.com

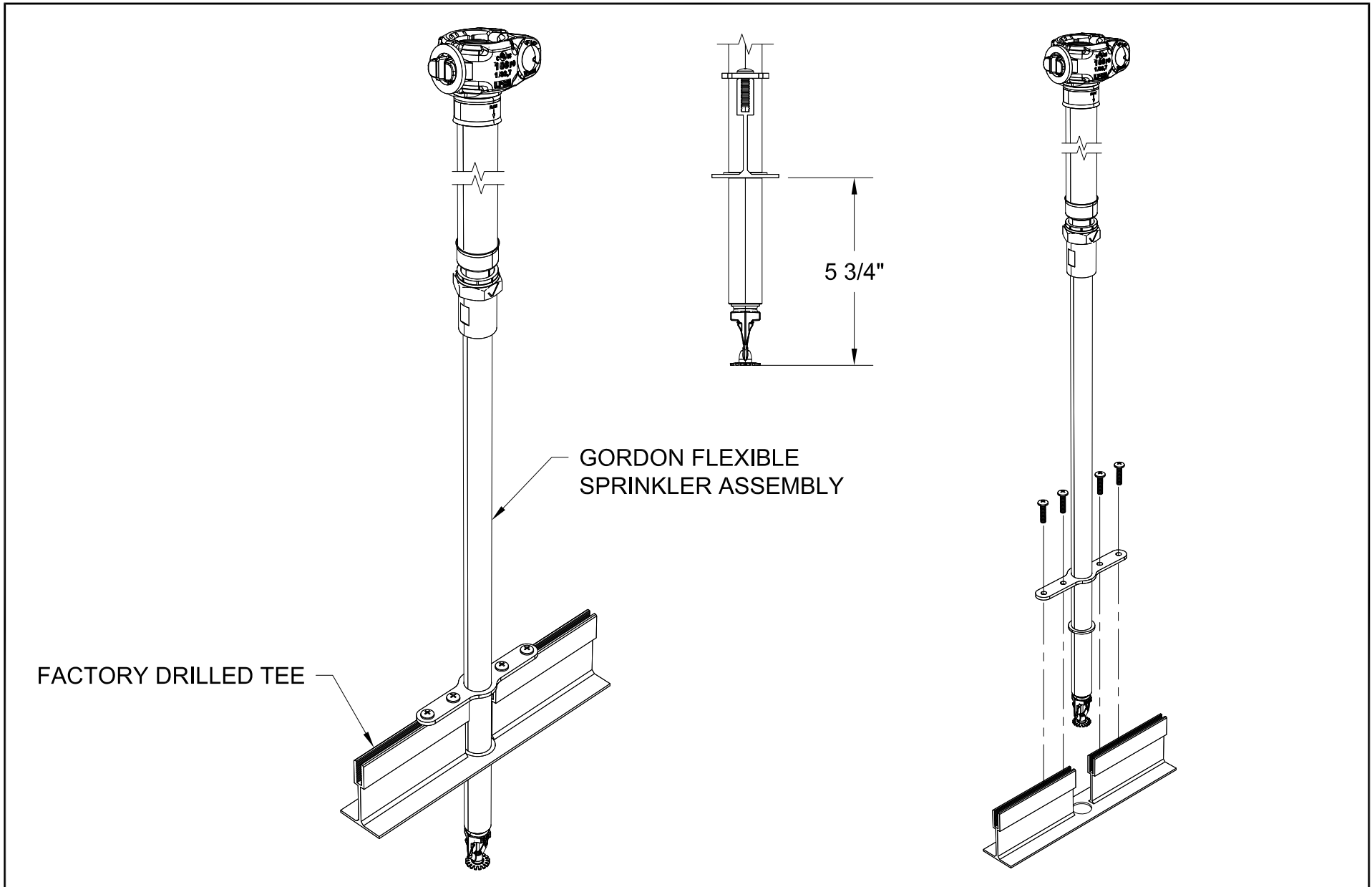
CLEANROOM CEILINGS
SUSPENSION - WALKABLE - WG-38
CLEANCOVE DETAIL



GORDON®
ARCHITECTURAL+ENGINEERED SOLUTIONS

5023 Hazel Jones Rd.
Bossier City, LA 71111
800.747.8954
GORDON-INC.COM
sales@gordon-inc.com

CLEANROOM CEILINGS
SUSPENSION - WALKABLE - WG-38
FLUSH SPRINKLER ASSEMBLY



GORDON®
ARCHITECTURAL+ENGINEERED SOLUTIONS

5023 Hazel Jones Rd.
Bossier City, LA 71111
800.747.8954
GORDON-INC.COM
sales@gordon-inc.com

CLEANROOM CEILINGS
SUSPENSION - WALKABLE - WG-38
EXTENDED SPRINKLER ASSEMBLY