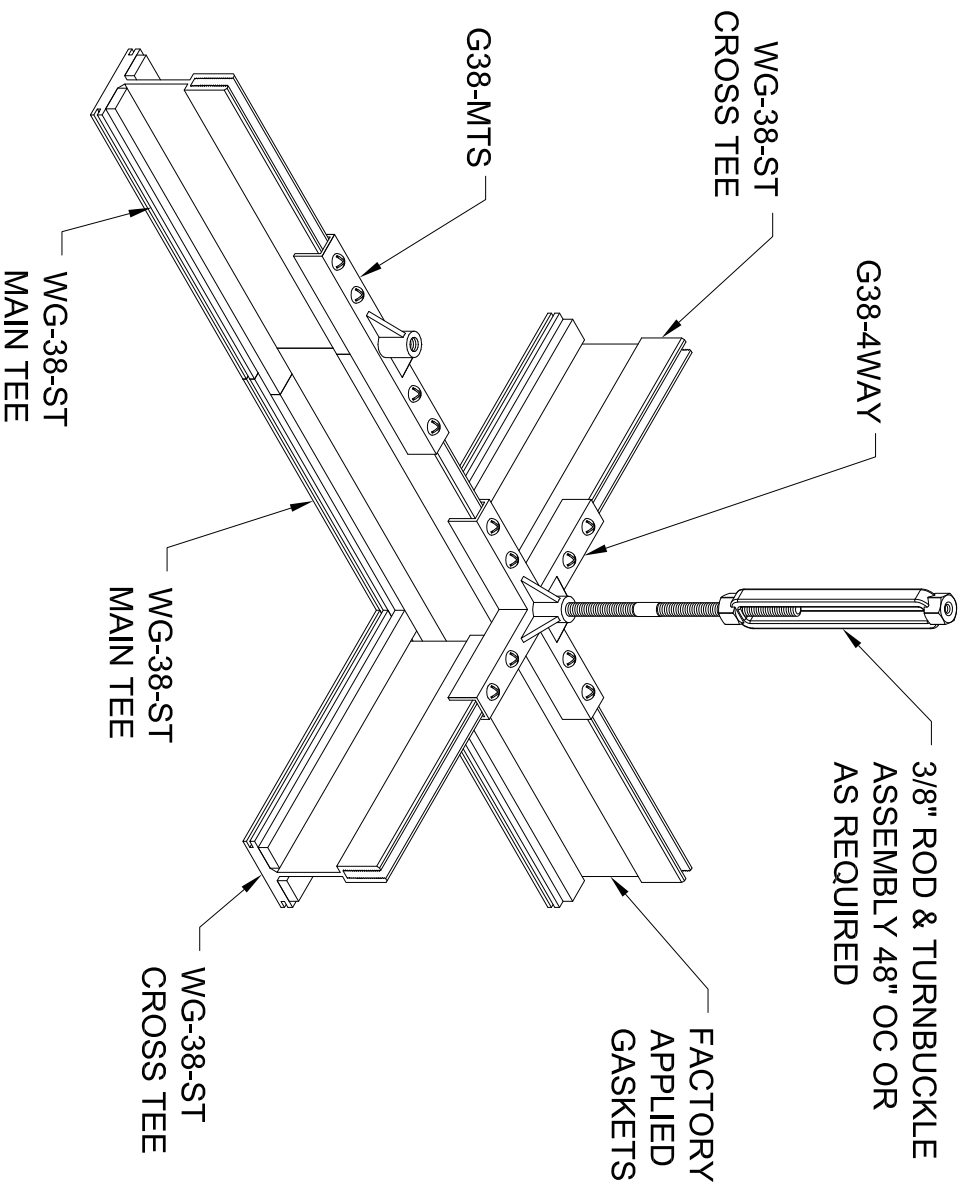


GORDON
ARCHITECTURAL+ENGINEERED SOLUTIONS

5023 Hazel Jones Rd,
Bossier City, LA 71111
800.747.8954
GORDON+INC.COM
sales@gordon-inc.com

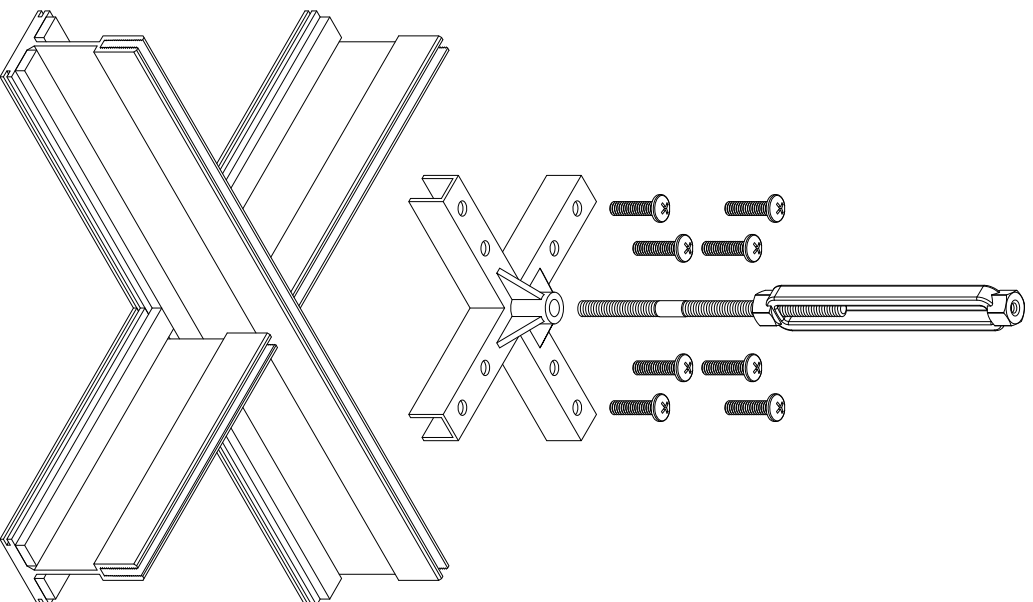
CLEANROOM CEILINGS
SUSPENSION - WALKABLE - WG-38-ST
MAIN / CROSS TEE



GORDON
 ARCHITECTURAL+ENGINEERED SOLUTIONS

5023 Hazel Jones Rd,
 Bossier City, LA 71111
 800.747.8954
 GORDON+INC.COM
 sales@gordon-inc.com

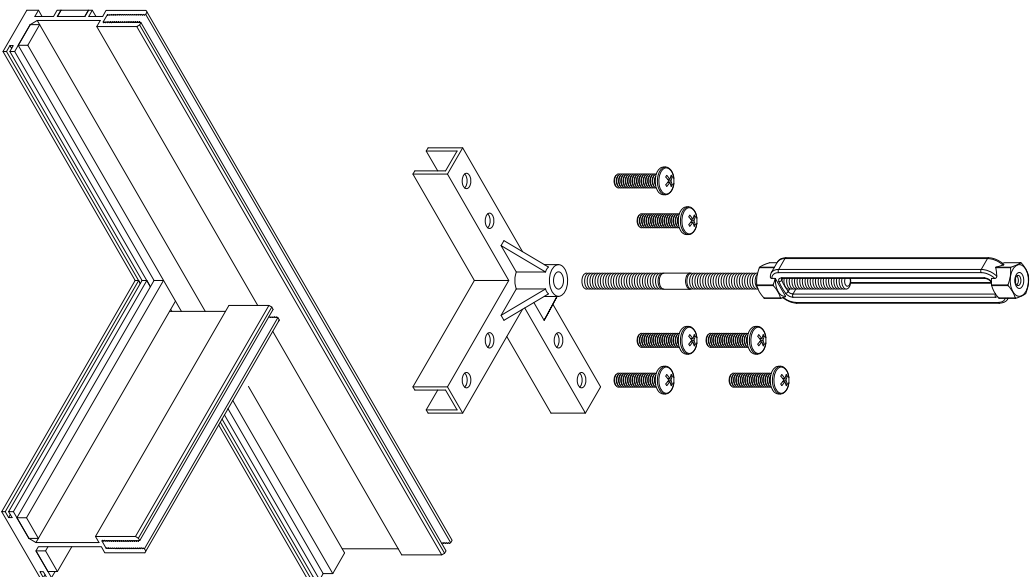
CLEANROOM CEILING
 SUSPENSION - WALKABLE - WG-38-ST
 GRID ISOMETRIC



GORDON
ARCHITECTURAL+ENGINEERED SOLUTIONS

5023 Hazel Jones Rd,
Bossier City, LA 71111
800.747.8954
GORDON+INC.COM
sales@gordon-inc.com

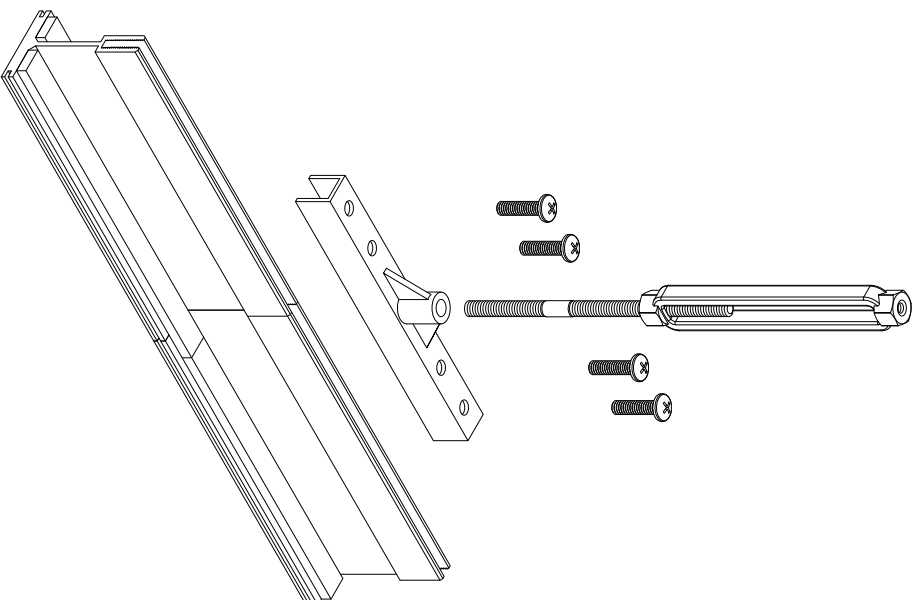
CLEANROOM CEILINGS
SUSPENSION - WALKABLE - WG-38-ST
4-WAY CONNECTOR



GORDON
ARCHITECTURAL+ENGINEERED SOLUTIONS

5023 Hazel Jones Rd,
Bossier City, LA 71111
800.747.8954
GORDON+INC.COM
sales@gordon-inc.com

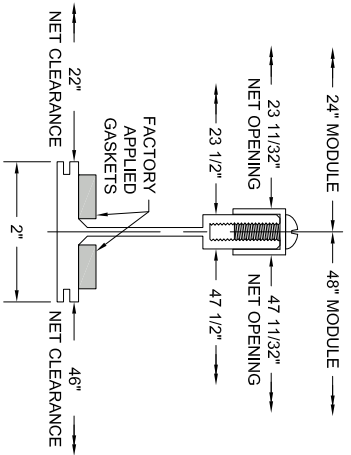
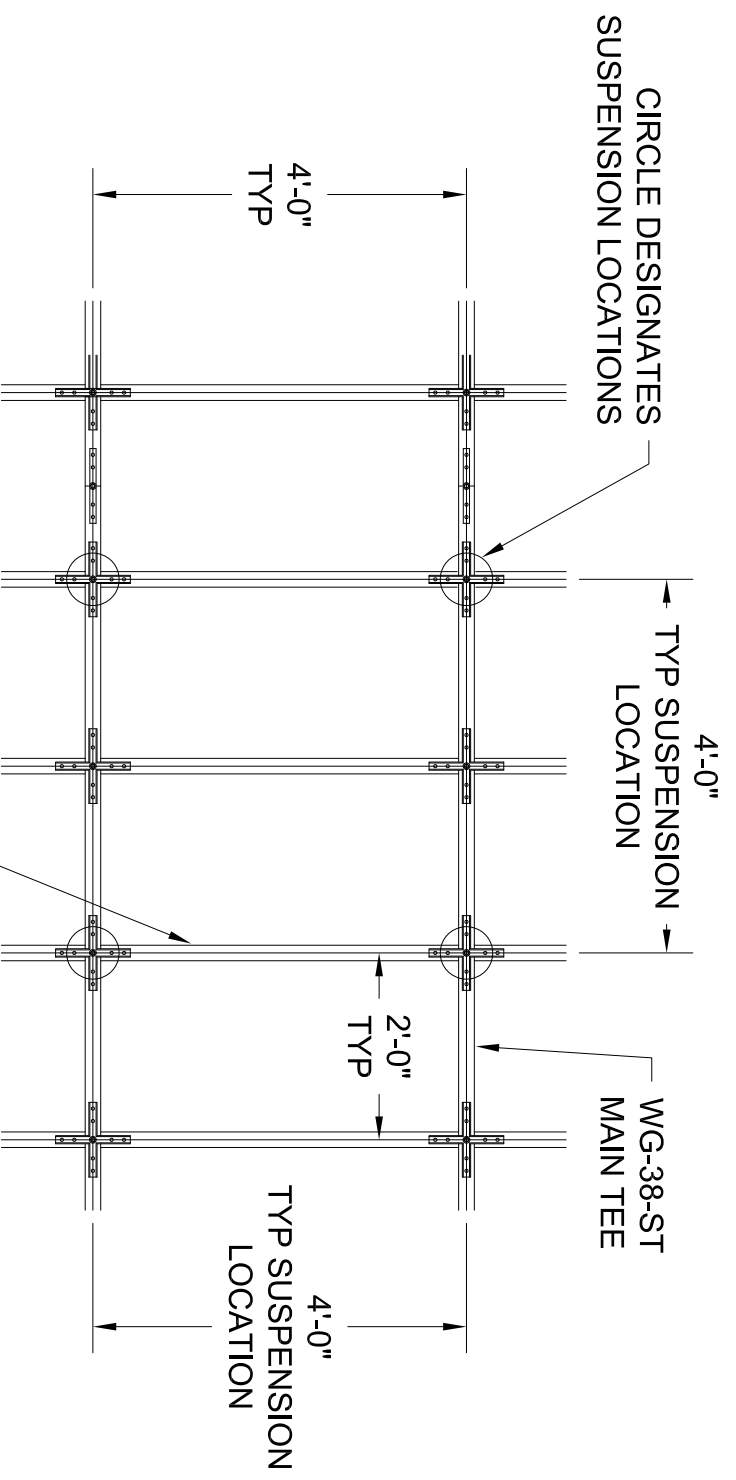
**CLEANROOM CEILING
SUSPENSION - WALKABLE - WG-38-ST
3-WAY CONNECTOR**



GORDON
ARCHITECTURAL+ENGINEERED SOLUTIONS

® 5023 Hazel Jones Rd,
Bossier City, LA 71111
800.747.8954
GORDON+INC.COM
sales@gordon-inc.com

**CLEANROOM CEILINGS
SUSPENSION - WALKABLE - WG-38-ST
MTS CONNECTOR**



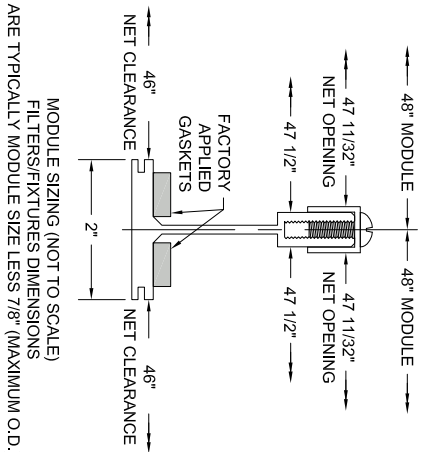
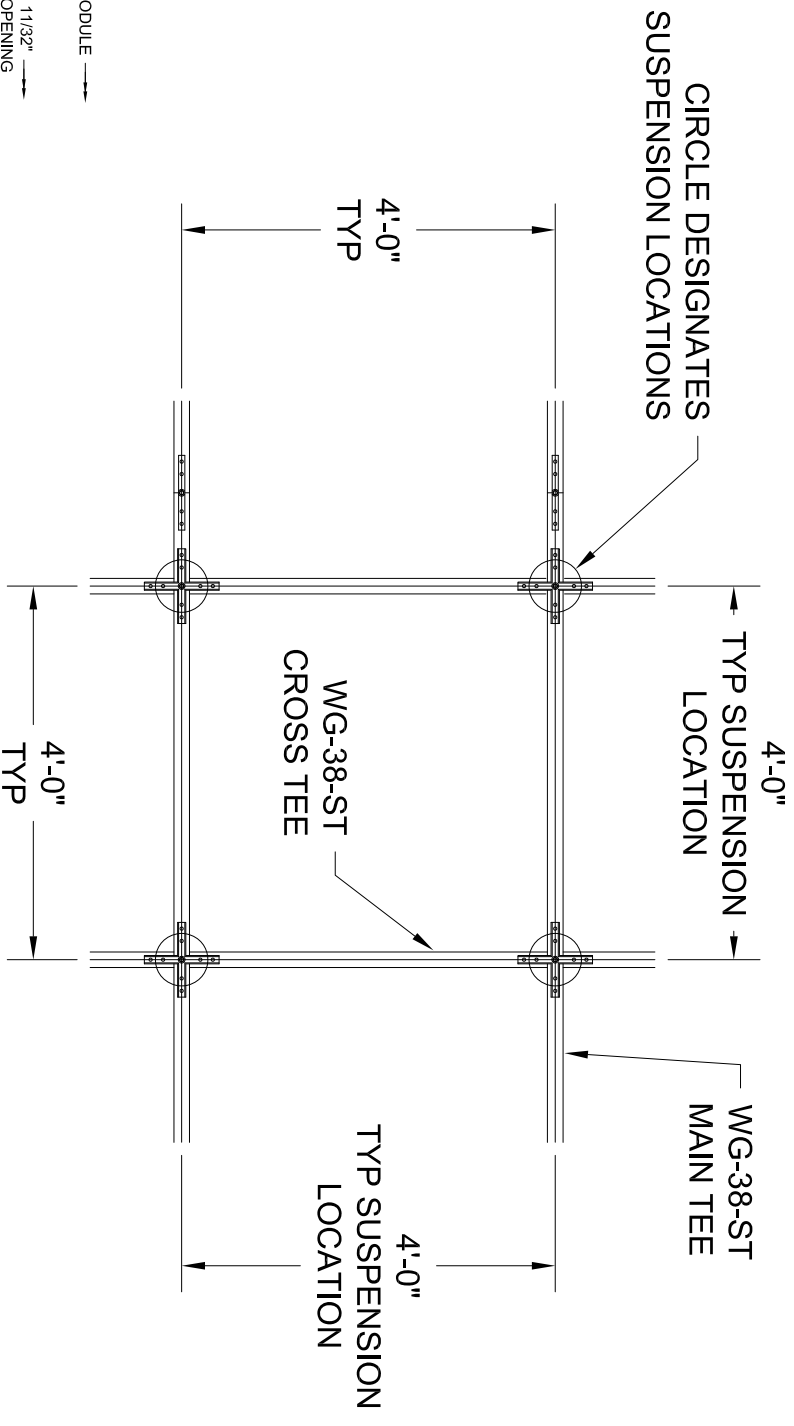
MODULE SIZING (NOT TO SCALE)
 FILTERS/FIXTURES DIMENSIONS
 ARE TYPICALLY MODULE SIZE LESS 7/8" (MAXIMUM O.D.)

TYPICAL GRID PLAN
 CONTACT GORDON CLEANROOM PRODUCTS DIVISION
 FOR INFORMATION ON PANEL OPTIONS SIZED TO FIT THIS GRID MODULE

GORDON
 ARCHITECTURAL+ENGINEERED SOLUTIONS

5023 Hazel Jones Rd,
 Bossier City, LA 71111
 800.747.8954
 GORDON+INC.COM
 sales@gordon-inc.com

CLEANROOM CEILINGS
SUSPENSION - WALKABLE - WG-38-ST
24" / 48" GRID PLAN



MODULE SIZING (NOT TO SCALE)
 FILTERS/FIXTURES DIMENSIONS
 ARE TYPICALLY MODULE SIZE LESS 7/8" (MAXIMUM O.D.)

TYPICAL GRID PLAN

CONTACT GORDON CLEANROOM PRODUCTS DIVISION
 FOR INFORMATION ON PANEL OPTIONS SIZED TO FIT THIS GRID MODULE

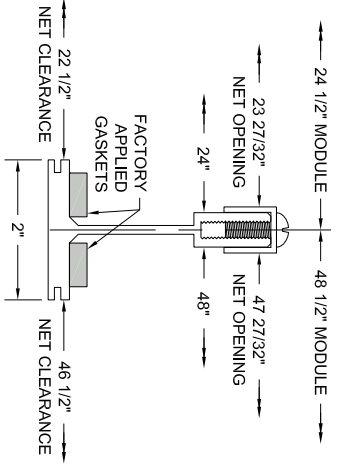
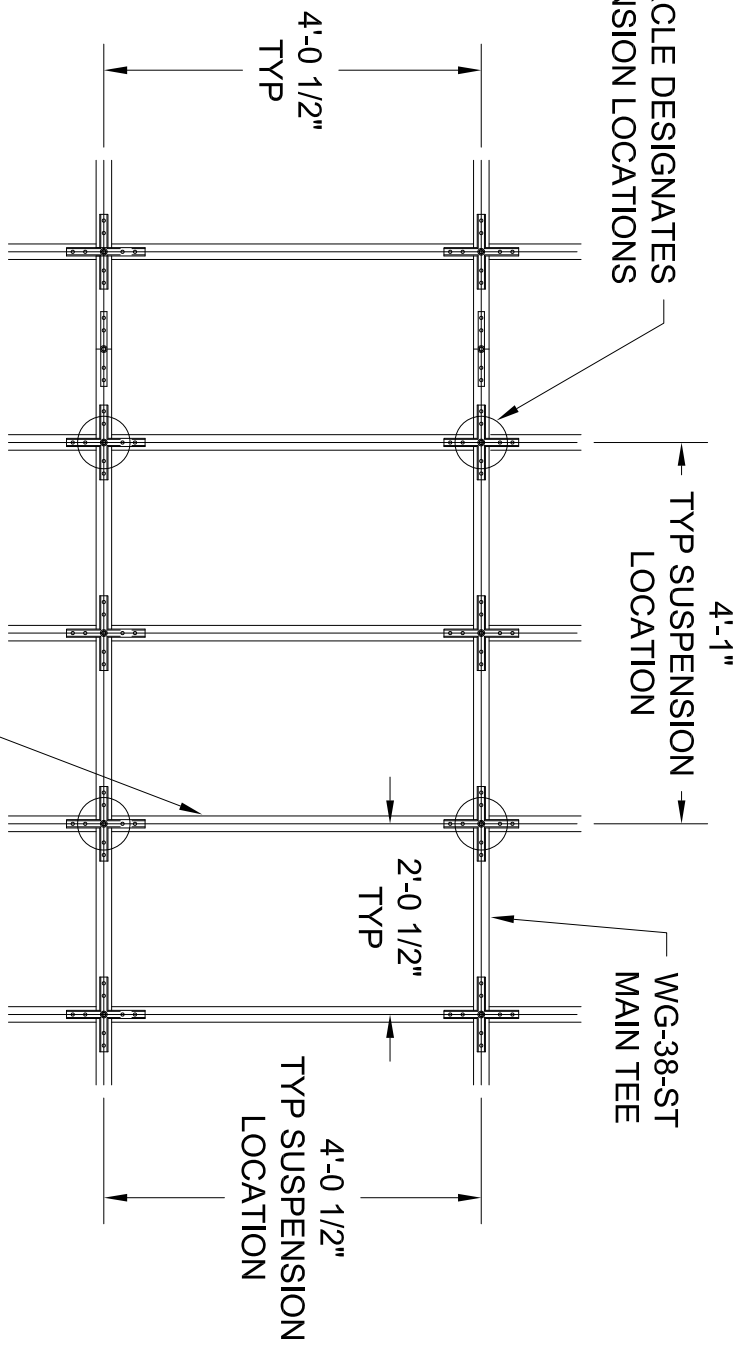
GORDON

ARCHITECTURAL+ENGINEERED SOLUTIONS

5023 Hazel Jones Rd,
 Bossier City, LA 71111
 800.747.8954
 GORDON+INC.COM
 sales@gordon-inc.com

CLEANROOM CEILINGS
 SUSPENSION - WALKABLE - WG-38-ST
 48" / 48" GRID PLAN

CIRCLE DESIGNATES
SUSPENSION LOCATIONS



MODULE SIZING (NOT TO SCALE)
FILTERS/FIXTURES DIMENSIONS
ARE TYPICALLY MODULE SIZE LESS 7/8" (MAXIMUM O.D.)

CONTACT GORDON CLEANROOM PRODUCTS DIVISION
FOR INFORMATION ON PANEL OPTIONS SIZED TO FIT THIS GRID MODULE

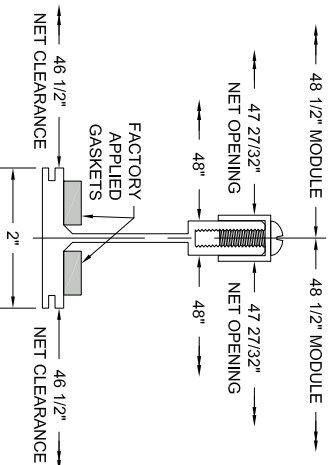
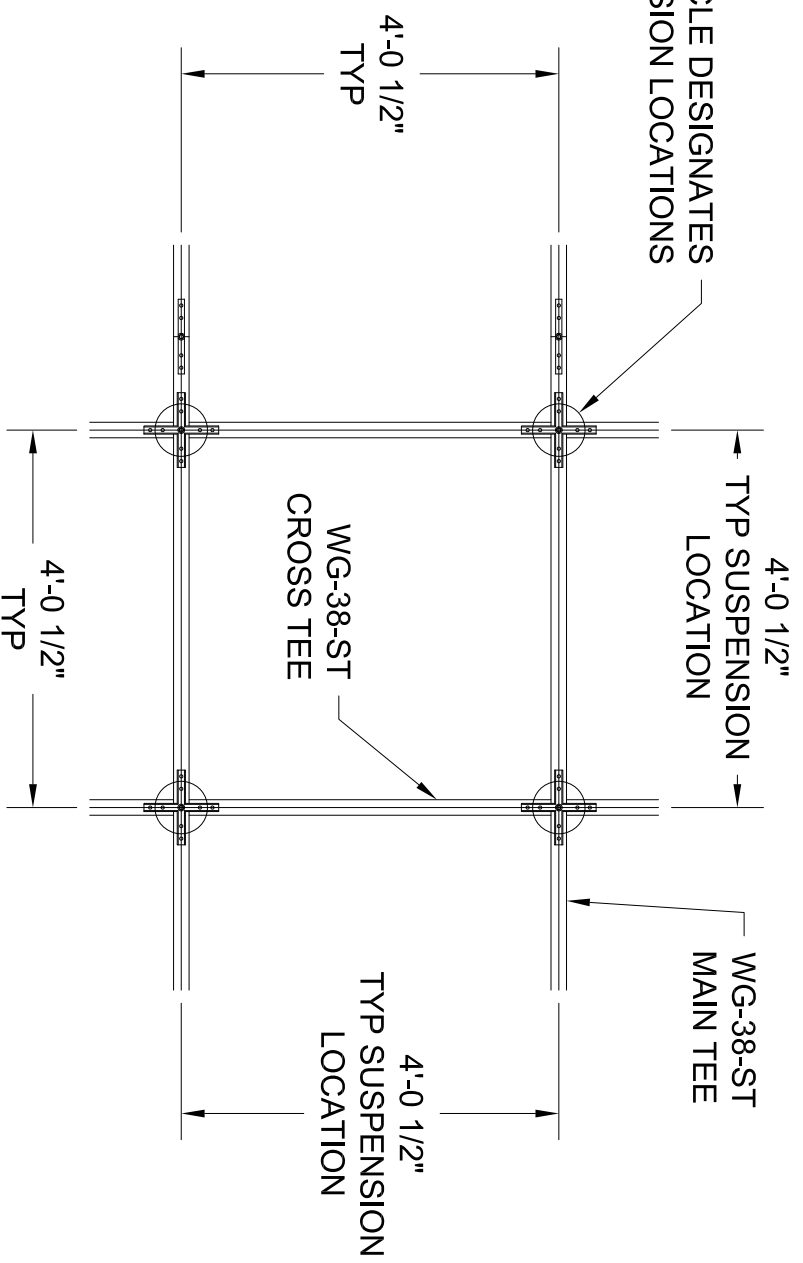
TYPICAL GRID PLAN

GORDON
ARCHITECTURAL+ENGINEERED SOLUTIONS

5023 Hazel Jones Rd,
Bossier City, LA 71111
800.747.8954
GORDON-INC.COM
sales@gordon-inc.com

CLEANROOM CEILINGS
SUSPENSION - WALKABLE - WG-38-ST
24 1/2" / 48 1/2" GRID PLAN

CIRCLE DESIGNATES
SUSPENSION LOCATIONS



MODULE SIZING (NOT TO SCALE)
FILTERS/FIXTURES DIMENSIONS
ARE TYPICALLY MODULE SIZE LESS 7/8" (MAXIMUM O.D.)

TYPICAL GRID PLAN

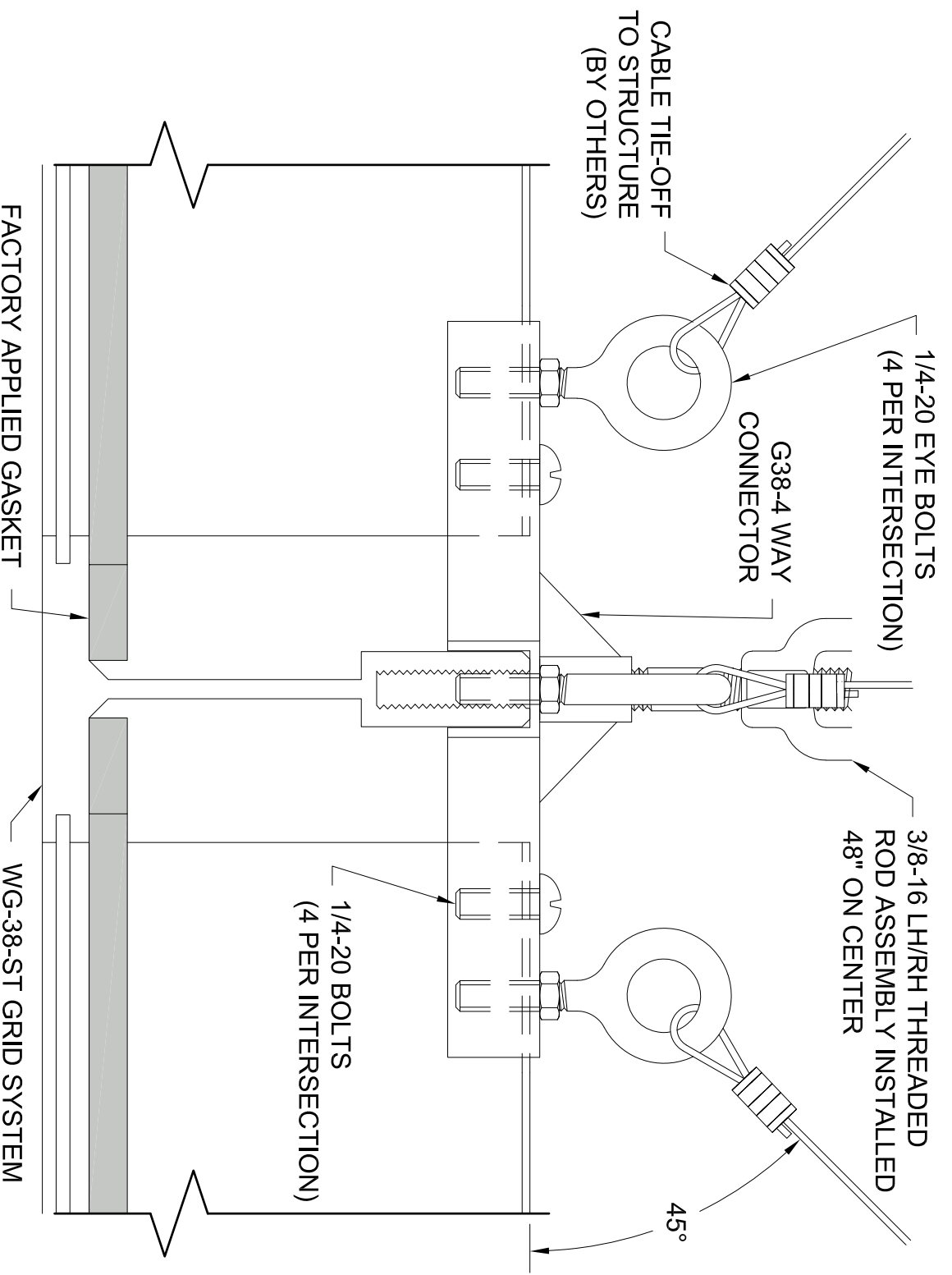
CONTACT GORDON CLEANROOM PRODUCTS DIVISION
FOR INFORMATION ON PANEL OPTIONS SIZED TO FIT THIS GRID MODULE

GORDON

ARCHITECTURAL+ENGINEERED SOLUTIONS

5023 Hazel Jones Rd,
Bossier City, LA 71111
800.747.8954
GORDON+INC.COM
sales@gordon-inc.com

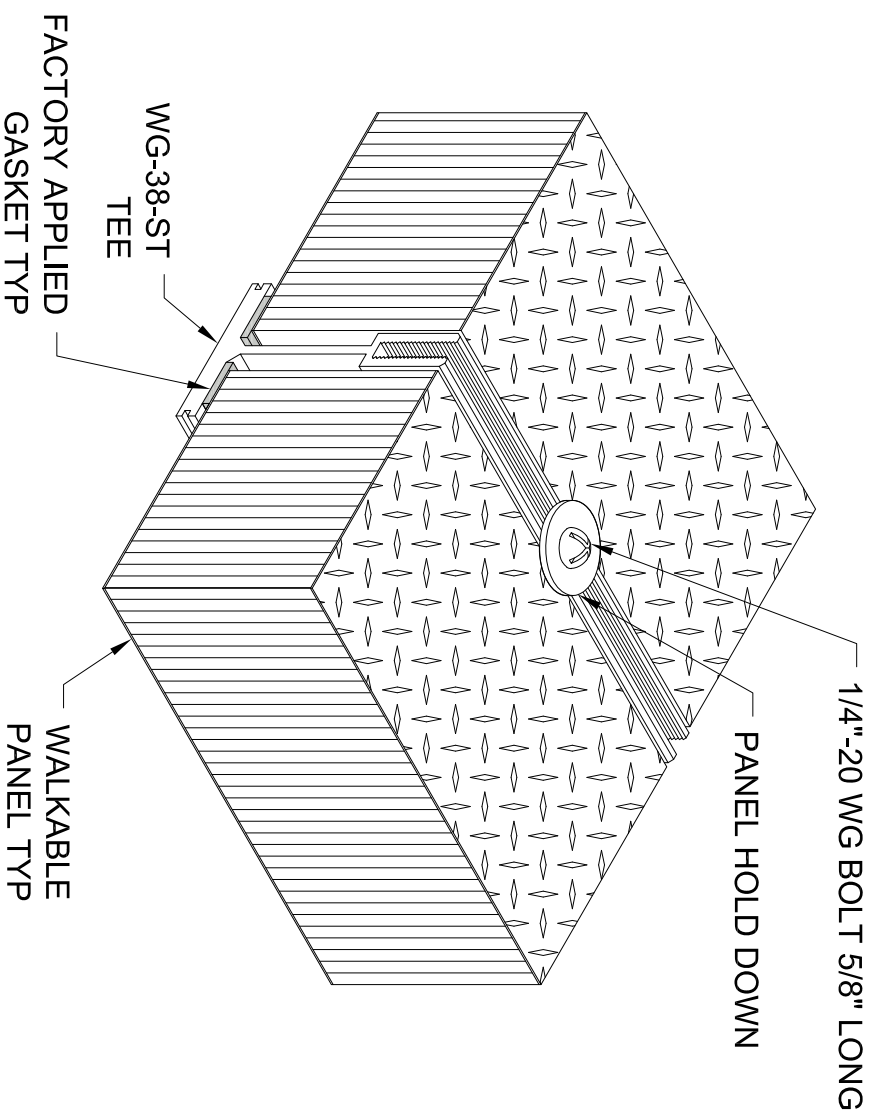
CLEANROOM CEILINGS
SUSPENSION - WALKABLE - WG-38-ST
48 1/2" / 48 1/2" GRID PLAN



GORDON
 ARCHITECTURAL+ENGINEERED SOLUTIONS

5023 Hazel Jones Rd,
 Bossier City, LA 71111
 800.747.8954
 GORDON+INC.COM
 sales@gordon-inc.com

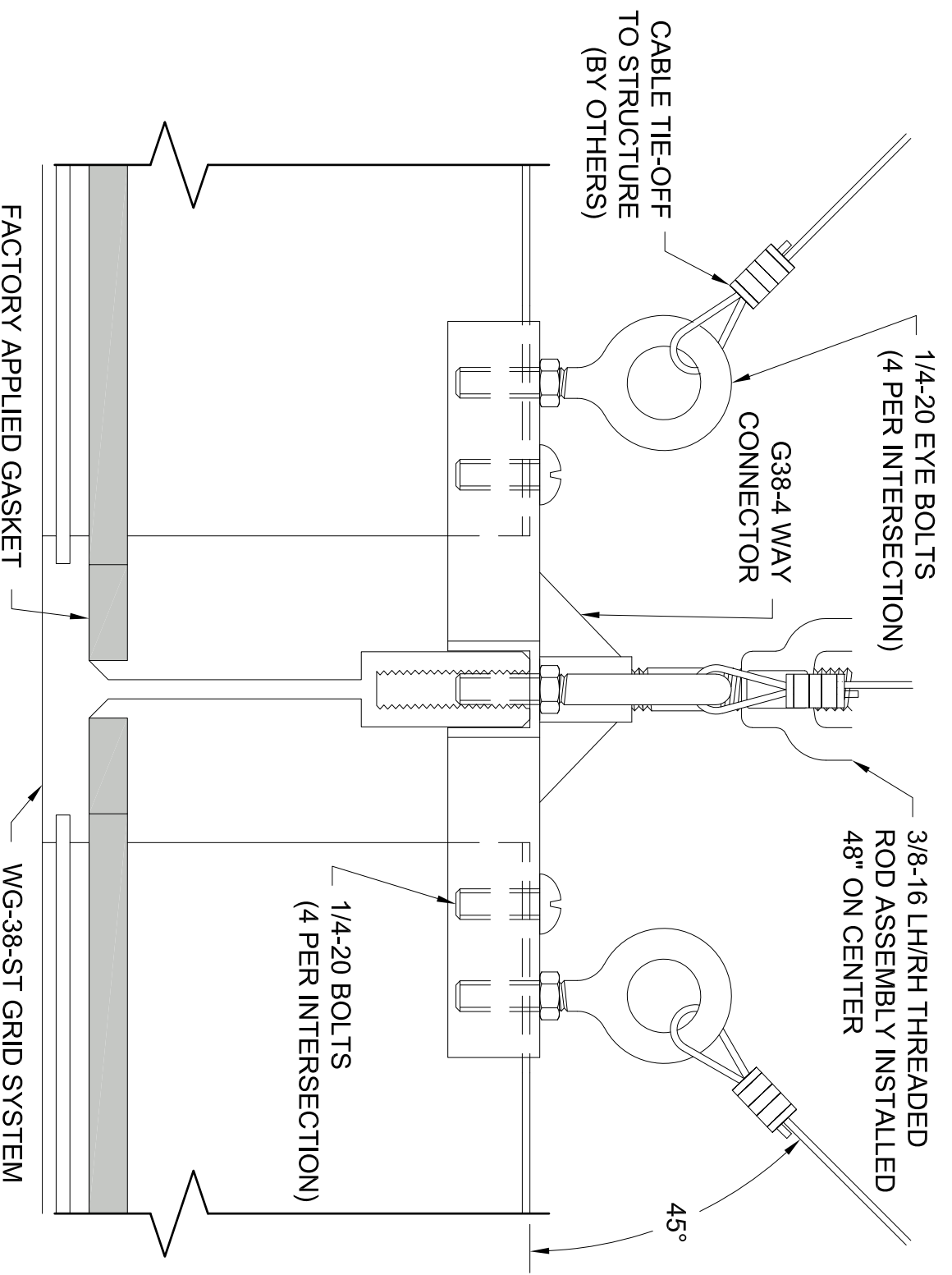
**CLEANROOM CEILINGS
 SUSPENSION - WALKABLE - WG-38-ST
 SEISMIC DETAIL**



GORDON
ARCHITECTURAL+ENGINEERED SOLUTIONS

5023 Hazel Jones Rd,
Bossier City, LA 71111
800.747.8954
GORDON+INC.COM
sales@gordon-inc.com

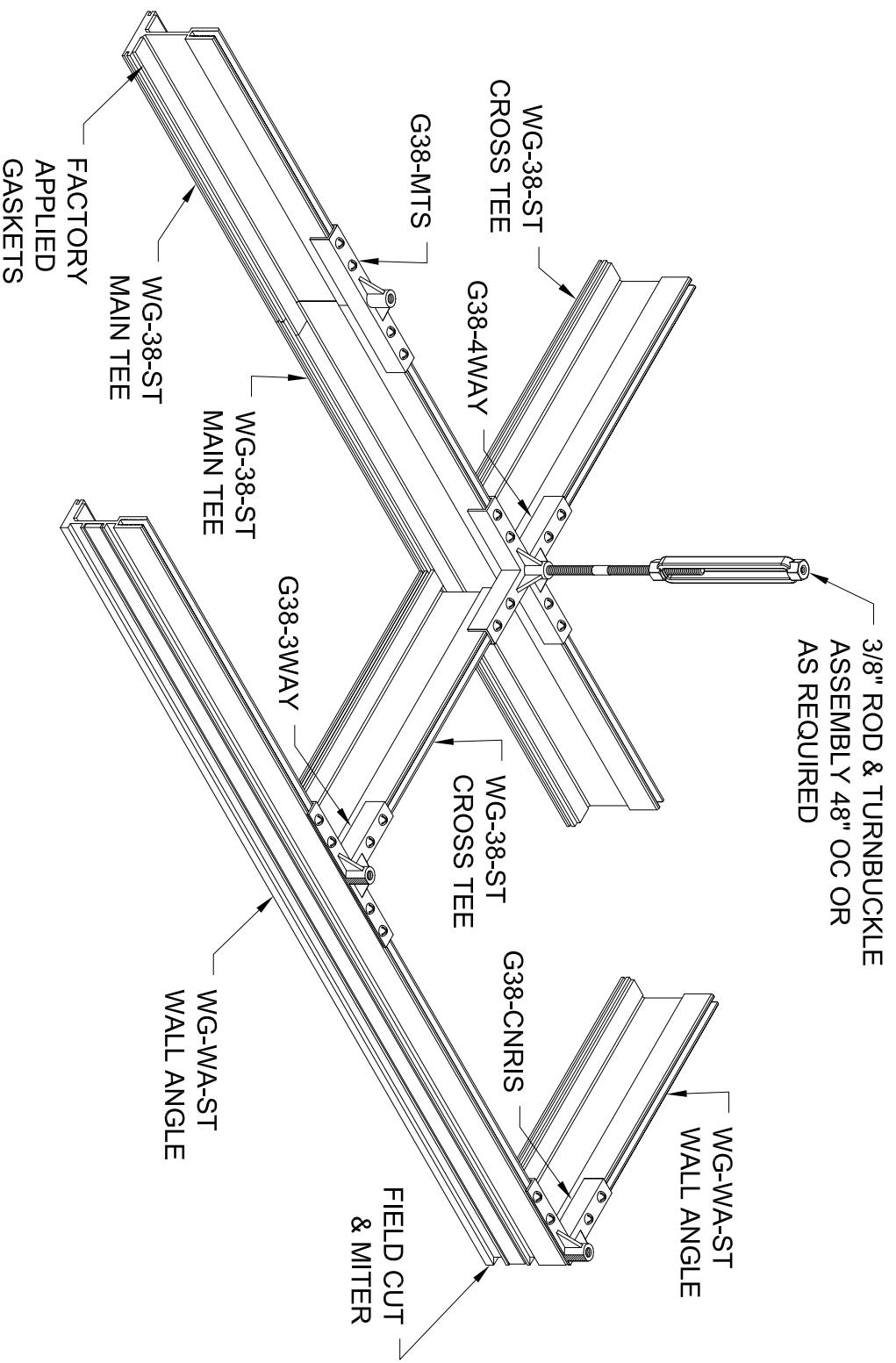
CLEANROOM CEILINGS
SUSPENSION - WALKABLE - WG-38-ST
WALKABLE PANEL ISOMETRIC



GORDON
 ARCHITECTURAL+ENGINEERED SOLUTIONS

5023 Hazel Jones Rd,
 Bossier City, LA 71111
 800.747.8954
 GORDON+INC.COM
 sales@gordon-inc.com

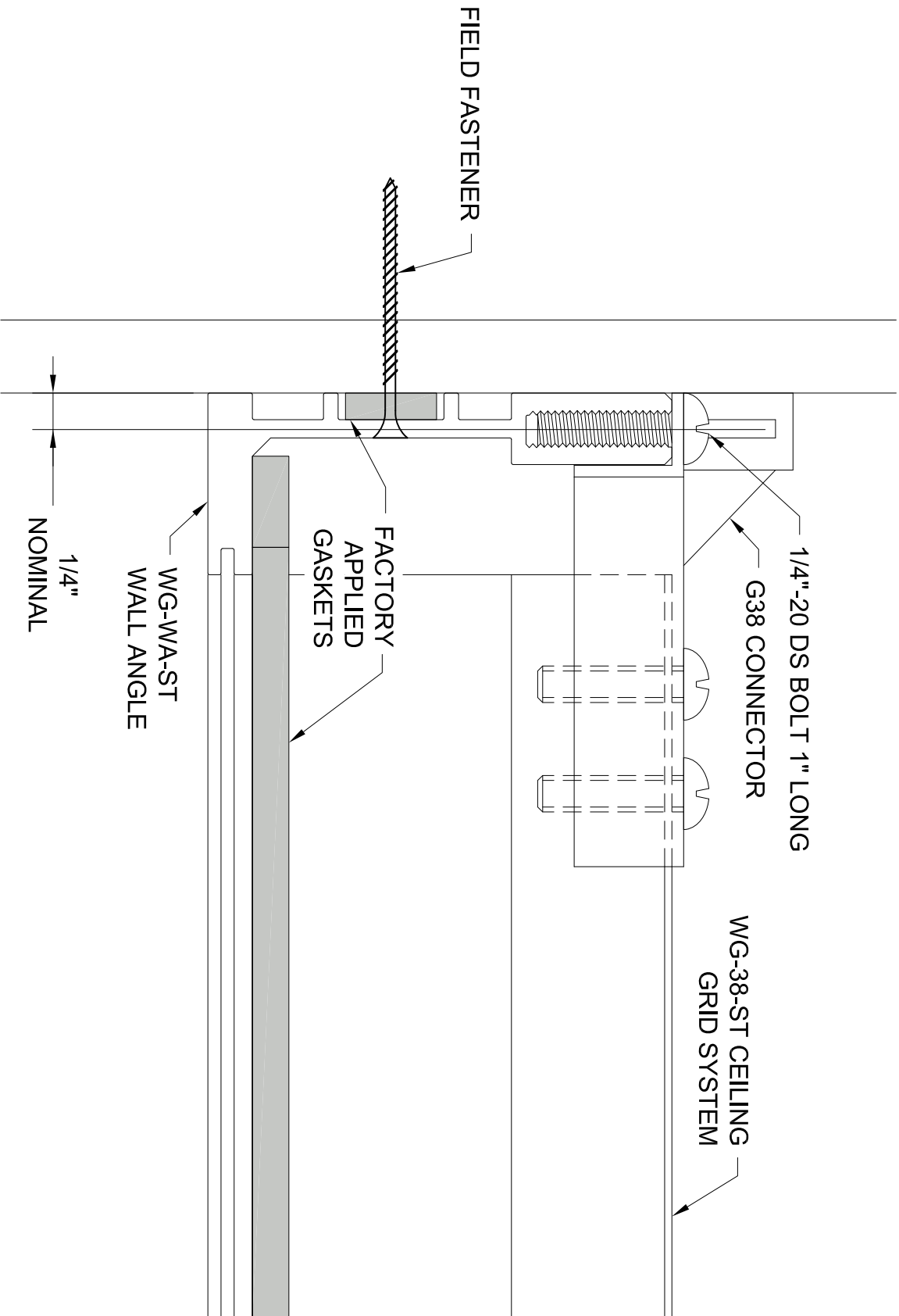
**CLEANROOM CEILINGS
 SUSPENSION - WALKABLE - WG-38-ST
 WALKABLE PANEL SECTION**



GORDON
ARCHITECTURAL+ENGINEERED SOLUTIONS

5023 Hazel Jones Rd,
 Bossier City, LA 71111
 800.747.8954
 GORDON+INC.COM
 sales@gordon-inc.com

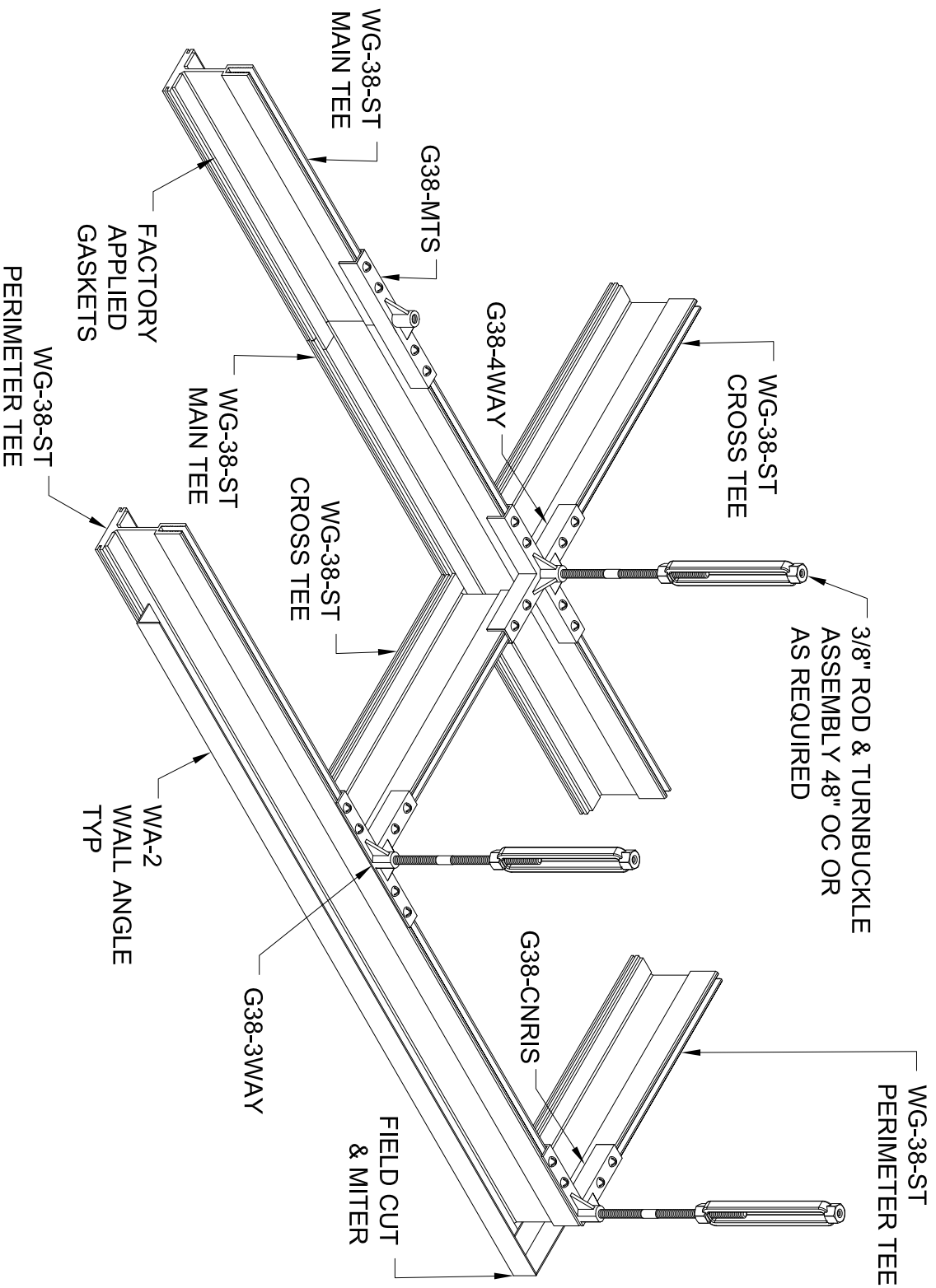
CLEANROOM CEILINGS
SUSPENSION - WALKABLE - WG-38-ST
FIXED PERIMETER ISOMETRIC



GORDON
ARCHITECTURAL+ENGINEERED SOLUTIONS

5023 Hazel Jones Rd,
Bossier City, LA 71111
800.747.8954
GORDON+INC.COM
sales@gordon-inc.com

**CLEANROOM CEILINGS
SUSPENSION - WALKABLE - WG-38-ST
FIXED PERIMETER SECTION**



GORDON
ARCHITECTURAL+ENGINEERED SOLUTIONS

5023 Hazel Jones Rd,
Bossier City, LA 71111
800.747.8954
GORDON+INC.COM
sales@gordon-inc.com

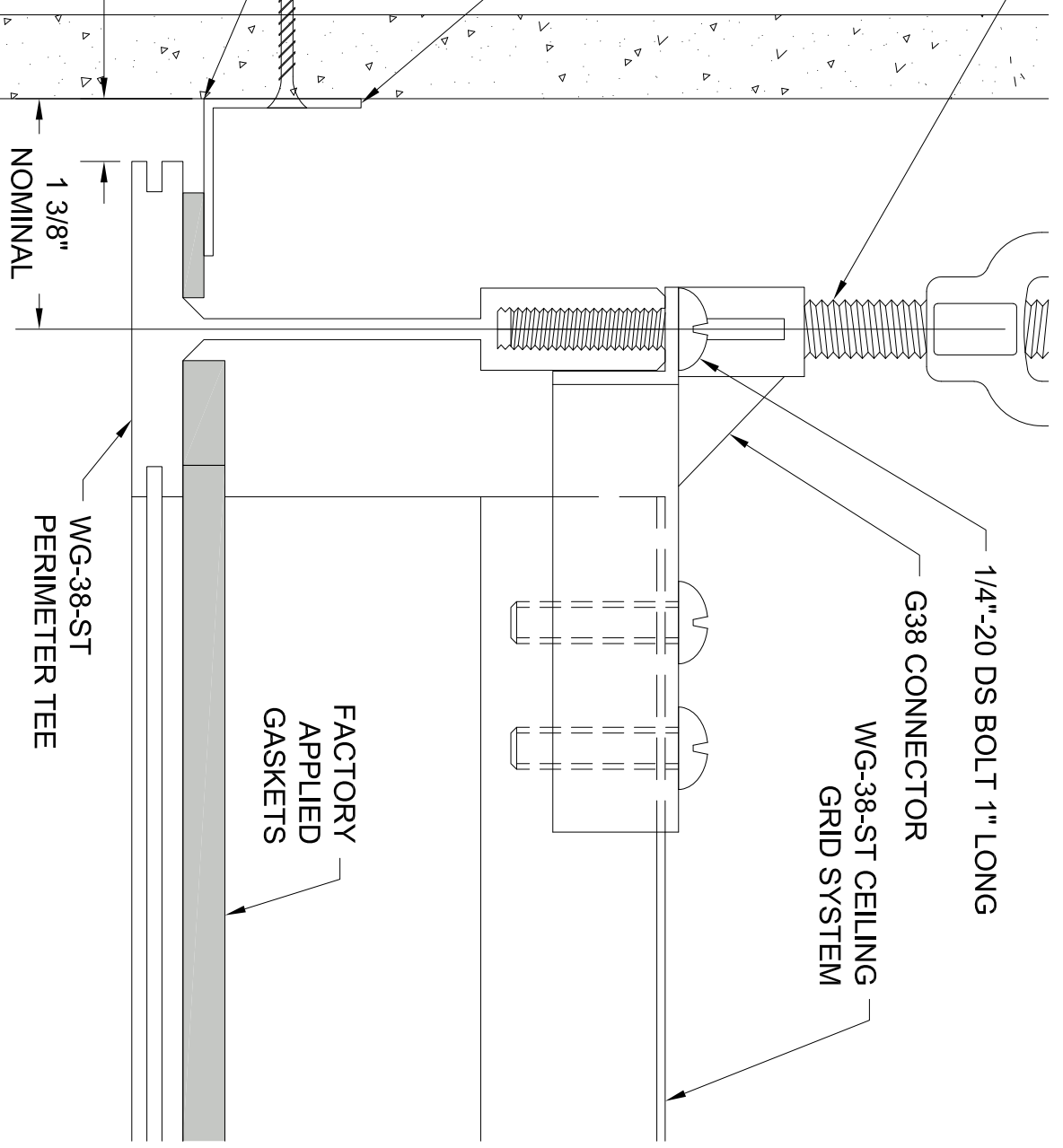
CLEANROOM CEILINGS
SUSPENSION - WALKABLE - WG-38-ST
FLOATING PERIMETER ISOMETRIC

3/8" - 16 LH/RH
 THREADED ROD ASSEMBLY
 (ALL HARDWARE ABOVE
 TURNBUCKLE PROVIDED
 BY OTHERS)

WA-2 WALL ANGLE
 w/FIELD FASTENER

CONTINUOUS FIELD CAULK
 w/APPROVED SEALANT

3/8"
 NOMINAL



1/4"-20 DS BOLT 1" LONG

G38 CONNECTOR

WG-38-ST CEILING
 GRID SYSTEM

FACTORY
 APPLIED
 GASKETS

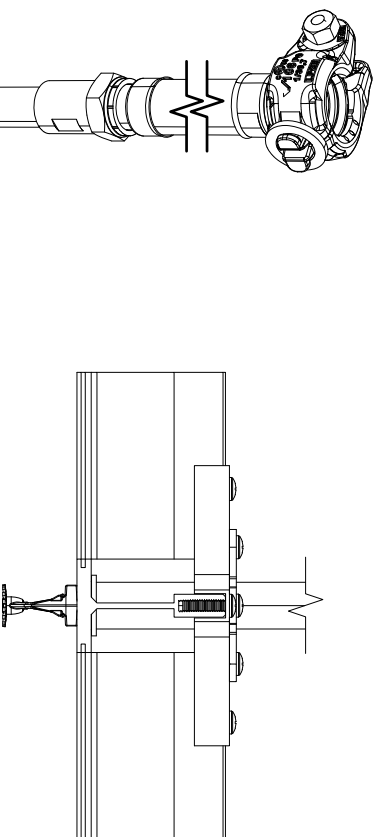
WG-38-ST
 PERIMETER TEE

1 3/8"
 NOMINAL

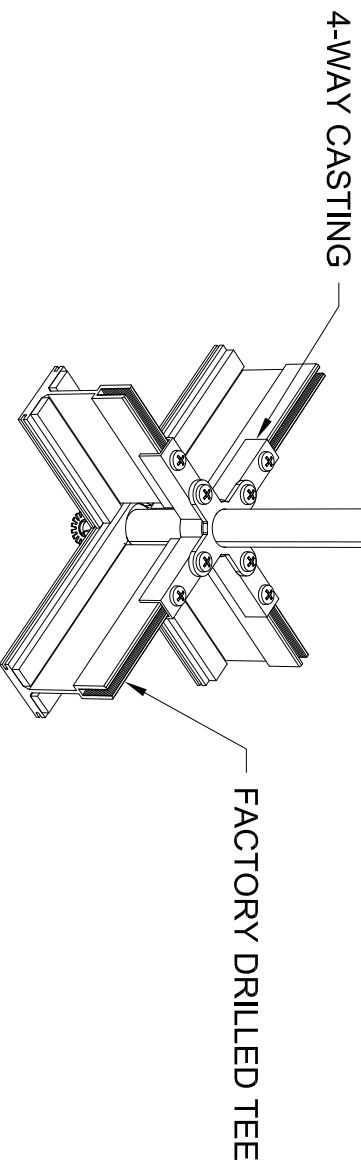
GORDON
 ARCHITECTURAL+ENGINEERED SOLUTIONS

5023 Hazel Jones Rd,
 Bossier City, LA 71111
 800.747.8954
 GORDON+INC.COM
 sales@gordon-inc.com

CLEANROOM CEILINGS
SUSPENSION - WALKABLE - WG-38-ST
FLOATING PERIMETER SECTION

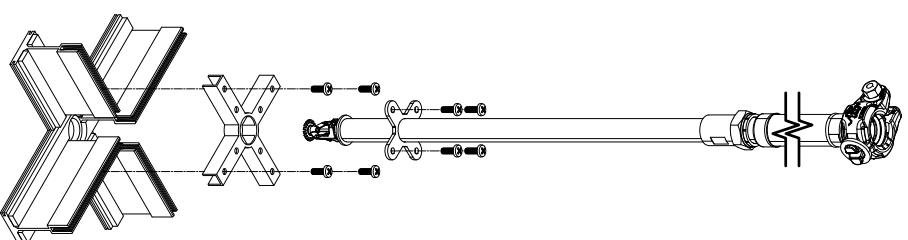


GORDON FLEXIBLE
SPRINKLER ASSEMBLY



4-WAY CASTING

FACTORY DRILLED TEE

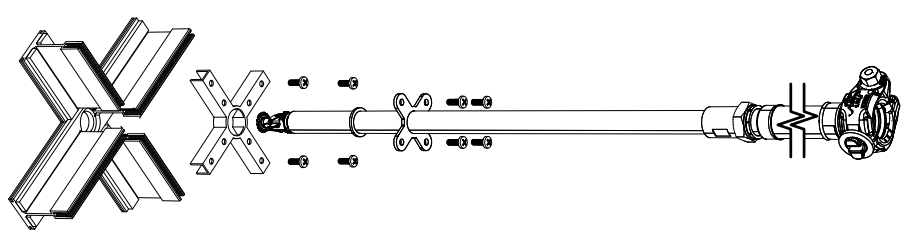
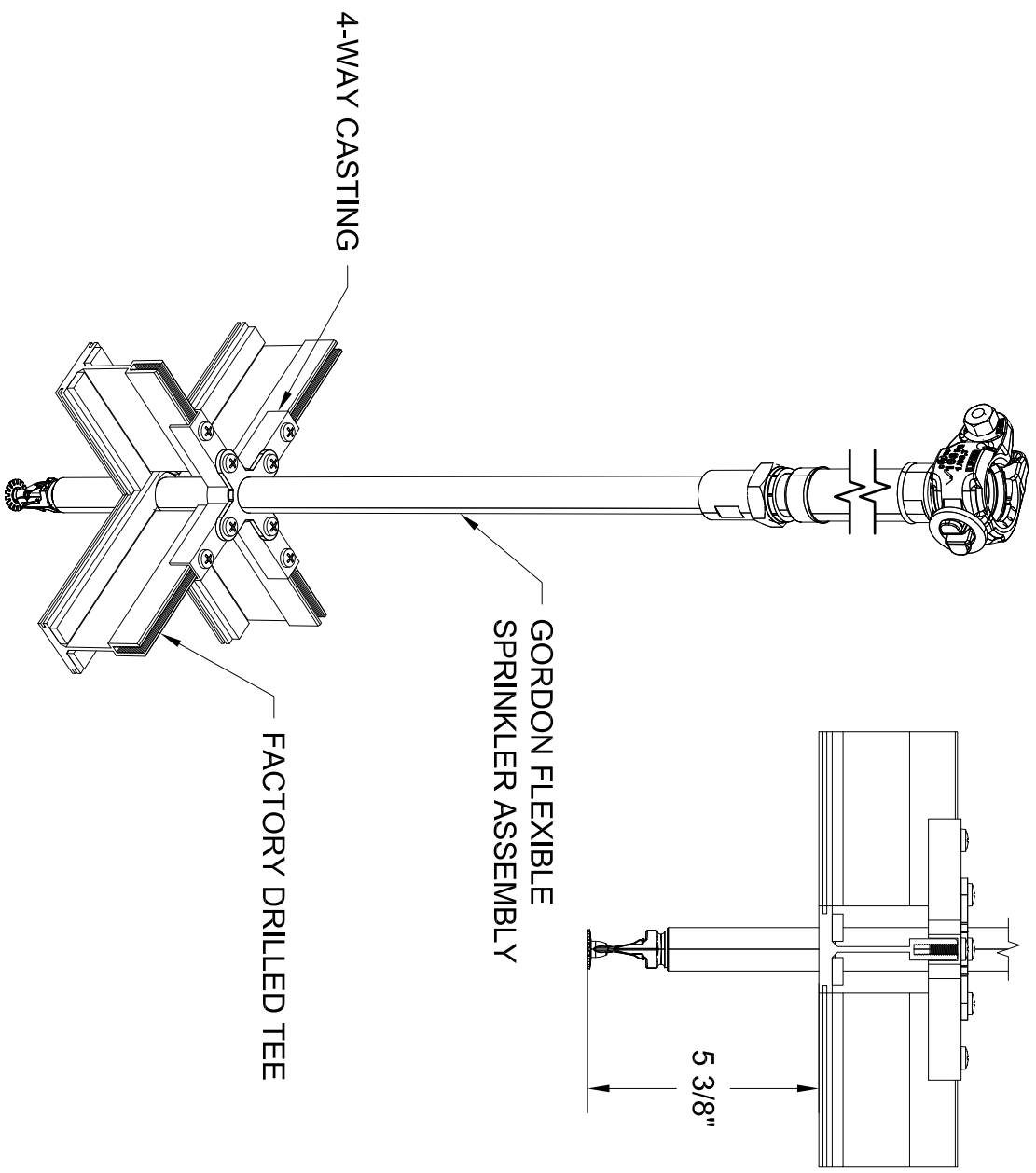


CLEANROOM CEILINGS

SUSPENSION - WALKABLE - WG-38-ST
FLUSH SPRINKLER ASSEMBLY

GORDON
ARCHITECTURAL+ENGINEERED SOLUTIONS

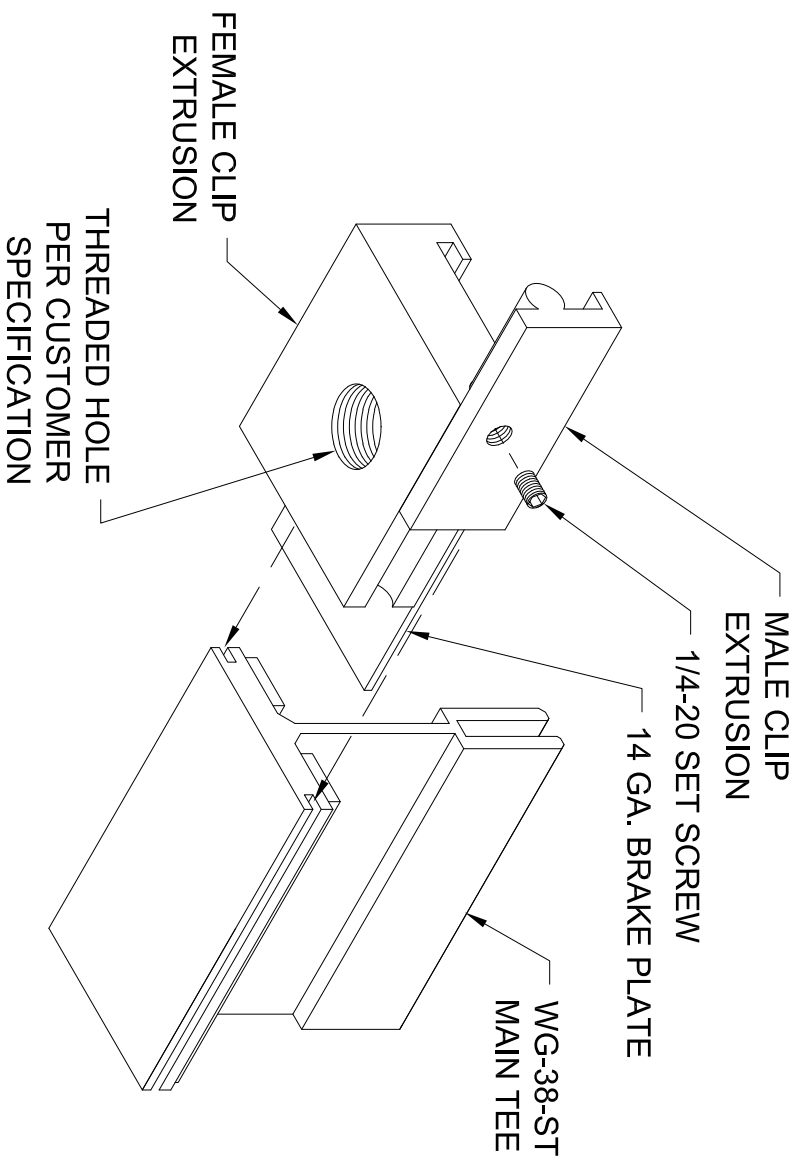
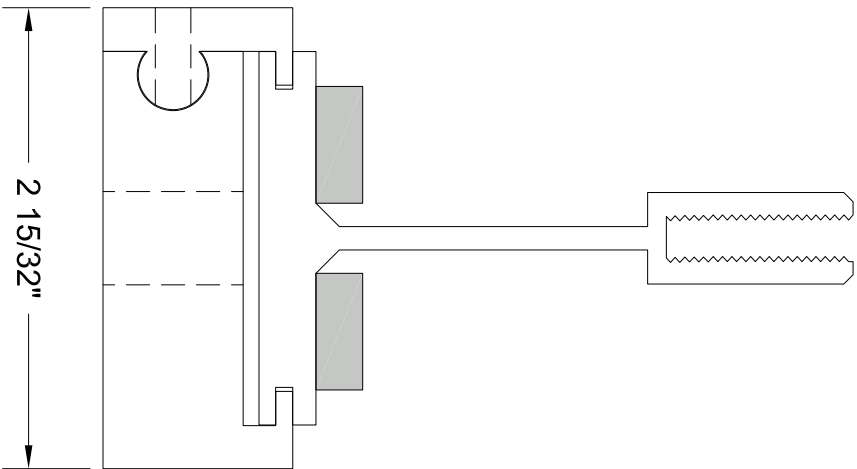
5023 Hazel Jones Rd,
Bossier City, LA 71111
800.747.8954
GORDON+INC.COM
sales@gordon-inc.com



GORDON
ARCHITECTURAL+ENGINEERED SOLUTIONS

® 5023 Hazel Jones Rd,
Bossier City, LA 71111
800.747.8954
GORDON+INC.COM
sales@gordon-inc.com

CLEANROOM CEILINGS
SUSPENSION - WALKABLE - WG-38-ST
EXTENDED SPRINKLER ASSEMBLY



GORDON
ARCHITECTURAL+ENGINEERED SOLUTIONS

5023 Hazel Jones Rd,
Bossier City, LA 71111
800.747.8954
GORDON+INC.COM
sales@gordon-inc.com

CLEANROOM CEILINGS
SUSPENSION - WALKABLE - WG-38-ST
AMHS CLIP DETAIL