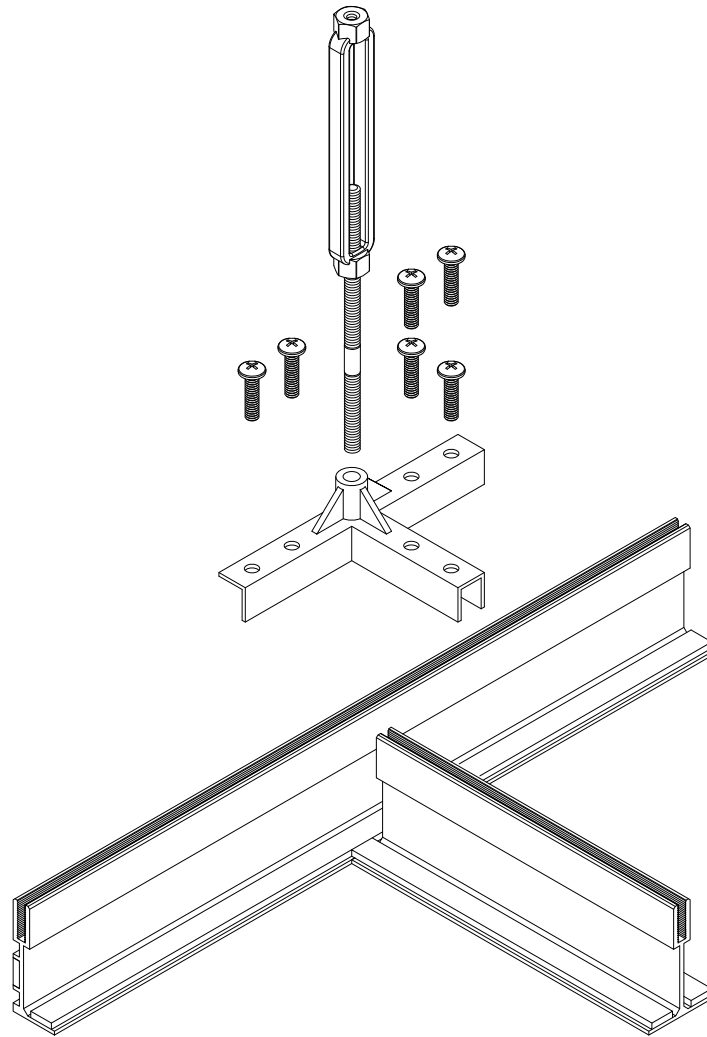


**GORDON**<sup>®</sup>  
ARCHITECTURAL+ENGINEERED SOLUTIONS

5023 Hazel Jones Rd.  
Bossier City, LA 71111  
800.747.8954  
GORDON-INC.COM  
sales@gordon-inc.com

CLEANROOM CEILINGS  
SUSPENSION - WALKABLE - WG-38-SS  
GRID ISOMETRIC



**GORDON**®  
ARCHITECTURAL+ENGINEERED SOLUTIONS

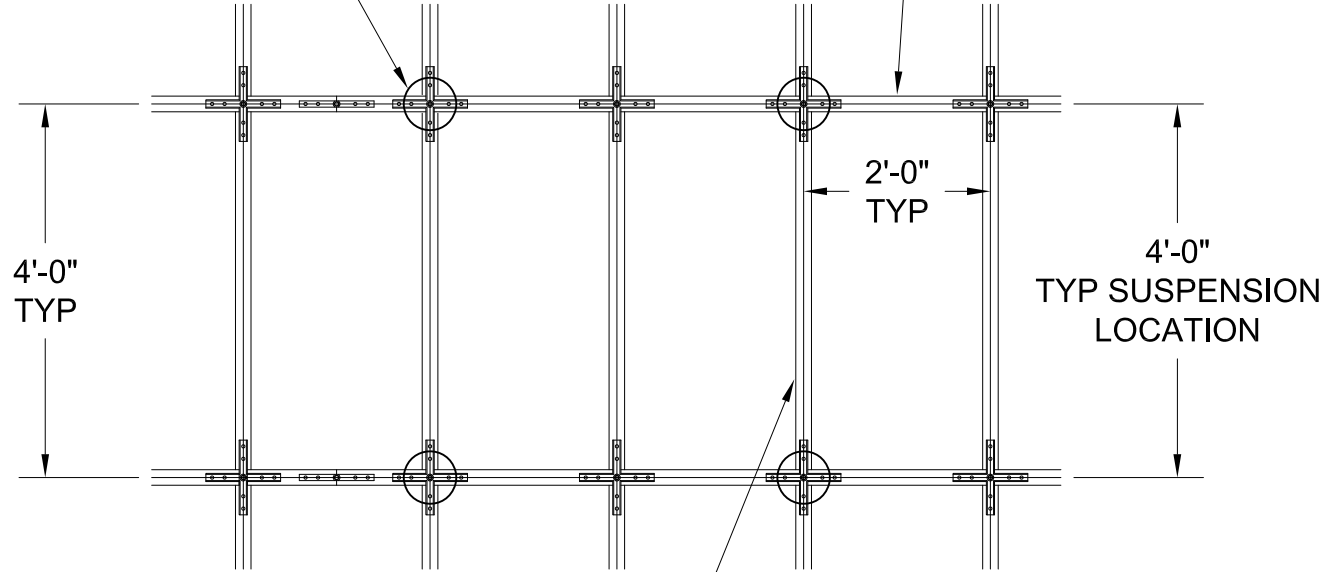
5023 Hazel Jones Rd.  
Bossier City, LA 71111  
800.747.8954  
GORDON-INC.COM  
sales@gordon-inc.com

CLEANROOM CEILINGS  
SUSPENSION - WALKABLE - WG-38-SS  
3-WAY CONNECTOR

CIRCLE DESIGNATES  
SUSPENSION LOCATIONS

4'-0"  
← TYP SUSPENSION  
LOCATION →

WG-38-SS  
MAIN TEE



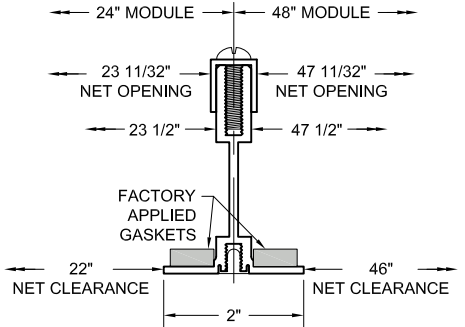
2'-0"  
TYP

4'-0"  
TYP SUSPENSION  
LOCATION

WG-38  
CROSS TEE

### TYPICAL GRID PLAN

CONTACT GORDON CLEANROOM PRODUCTS DIVISION  
FOR INFORMATION ON PANEL OPTIONS SIZED TO FIT THIS GRID MODULE

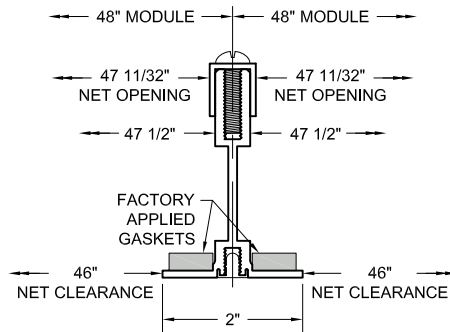
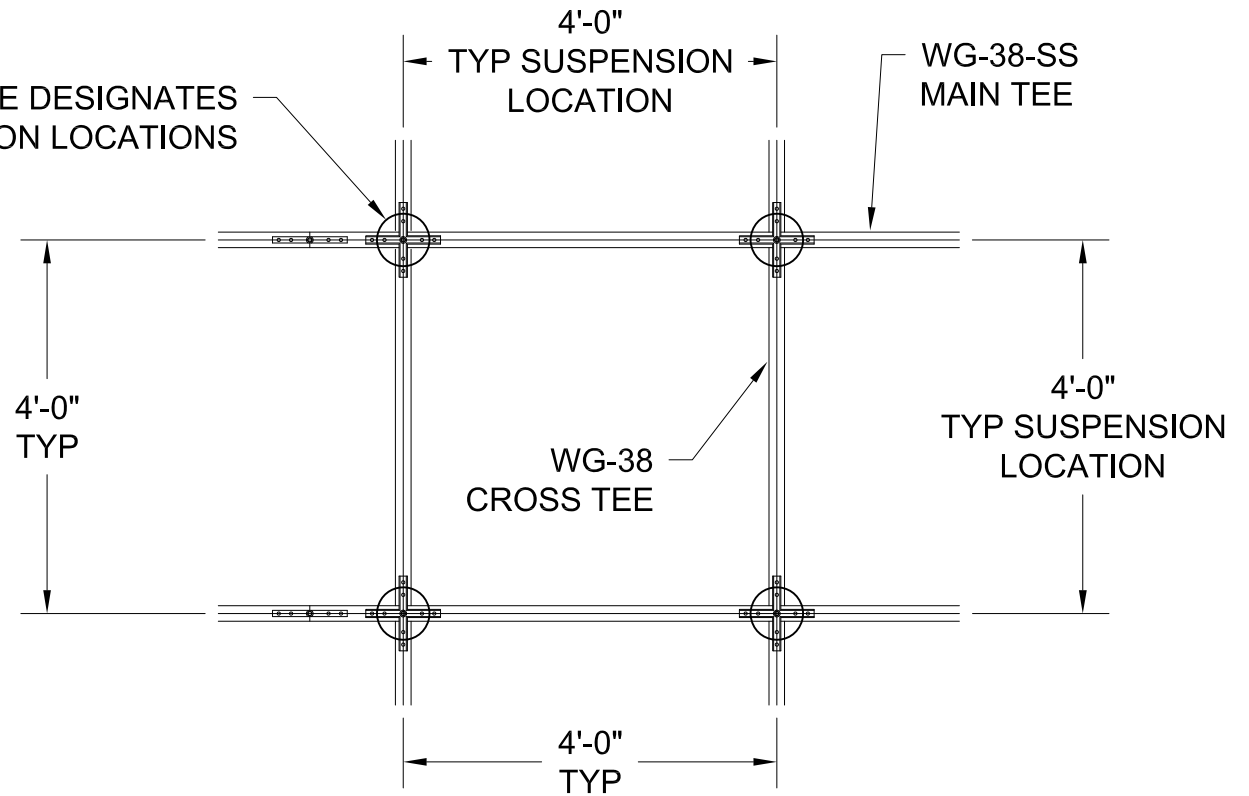


MODULE SIZING (NOT TO SCALE)  
FILTERS/FIXTURES DIMENSIONS  
ARE TYPICALLY MODULE SIZE LESS 7/8" (MAXIMUM O.D.)

**GORDON**® ARCHITECTURAL+ENGINEERED SOLUTIONS  
 5023 Hazel Jones Rd.  
 Bossier City, LA 71111  
 800.747.8954  
 GORDON-INC.COM  
 sales@gordon-inc.com

## CLEANROOM CEILINGS SUSPENSION - WALKABLE - WG-38-SS 24" / 48" GRID PLAN

CIRCLE DESIGNATES  
SUSPENSION  
LOCATIONS



MODULE SIZING (NOT TO SCALE)  
FILTERS/FIXTURES DIMENSIONS  
ARE TYPICALLY MODULE SIZE LESS 7/8" (MAXIMUM O.D.)

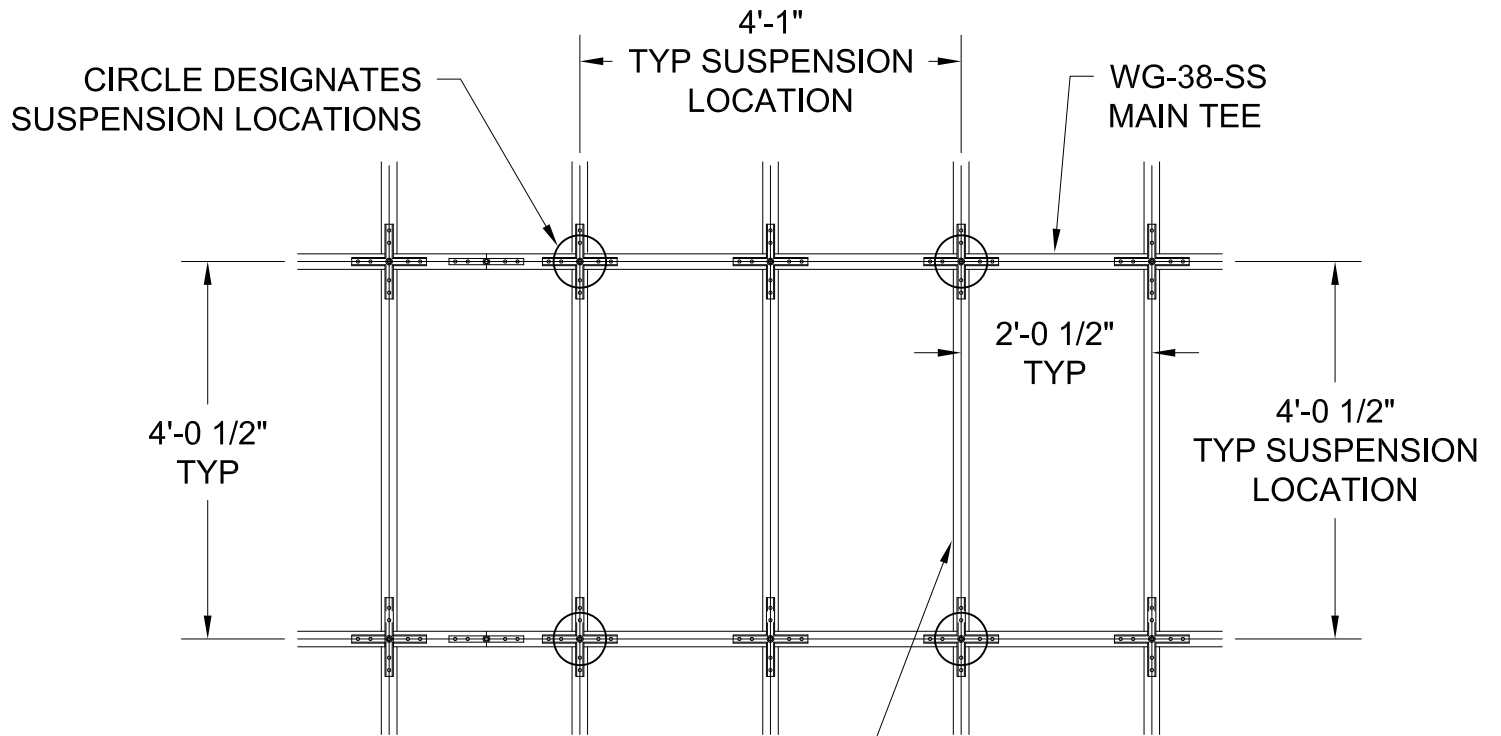
## TYPICAL GRID PLAN

CONTACT GORDON CLEANROOM PRODUCTS DIVISION  
FOR INFORMATION ON PANEL OPTIONS SIZED TO FIT THIS GRID MODULE

**GORDON**®  
ARCHITECTURAL+ENGINEERED SOLUTIONS

5023 Hazel Jones Rd.  
Bossier City, LA 71111  
800.747.8954  
GORDON-INC.COM  
sales@gordon-inc.com

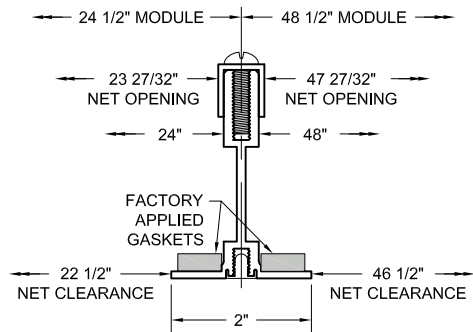
CLEANROOM CEILINGS  
SUSPENSION - WALKABLE - WG-38-SS  
48" / 48" GRID PLAN



WG-38  
CROSS TEE

## TYPICAL GRID PLAN

CONTACT GORDON CLEANROOM PRODUCTS DIVISION  
FOR INFORMATION ON PANEL OPTIONS SIZED TO FIT THIS GRID MODULE



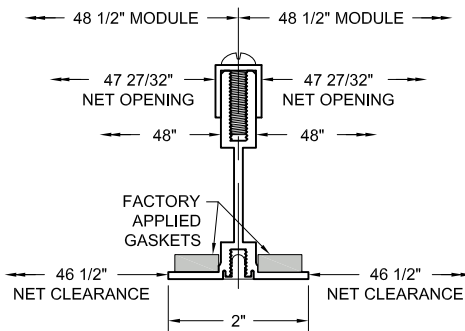
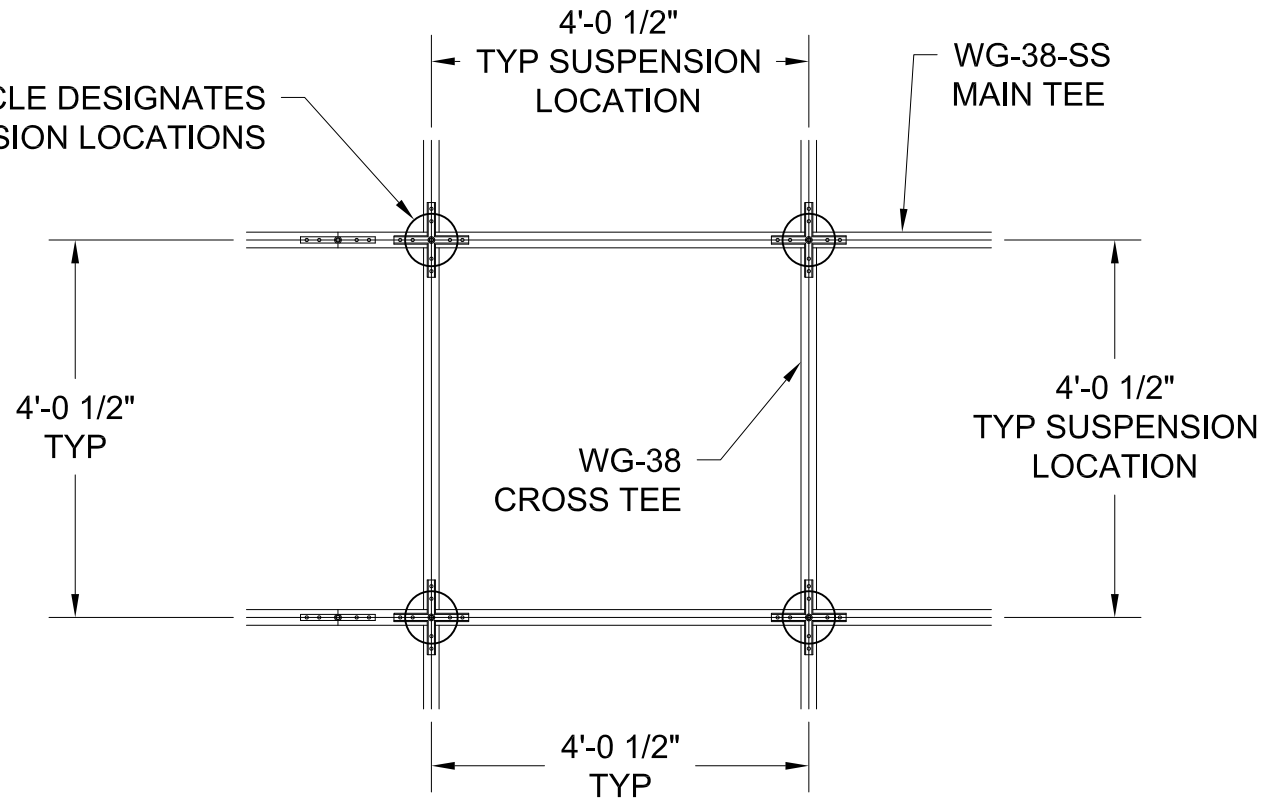
MODULE SIZING (NOT TO SCALE)  
FILTERS/FIXTURES DIMENSIONS  
ARE TYPICALLY MODULE SIZE LESS 7/8" (MAXIMUM O.D.)

**GORDON**®  
ARCHITECTURAL+ENGINEERED SOLUTIONS

5023 Hazel Jones Rd.  
Bossier City, LA 71111  
800.747.8954  
GORDON-INC.COM  
sales@gordon-inc.com

CLEANROOM CEILINGS  
SUSPENSION - WALKABLE - WG-38-SS  
24 1/2" / 48 1/2" GRID PLAN

CIRCLE DESIGNATES  
SUSPENSION LOCATIONS



MODULE SIZING (NOT TO SCALE)  
FILTERS/FIXTURES DIMENSIONS  
ARE TYPICALLY MODULE SIZE LESS 7/8" (MAXIMUM O.D.)

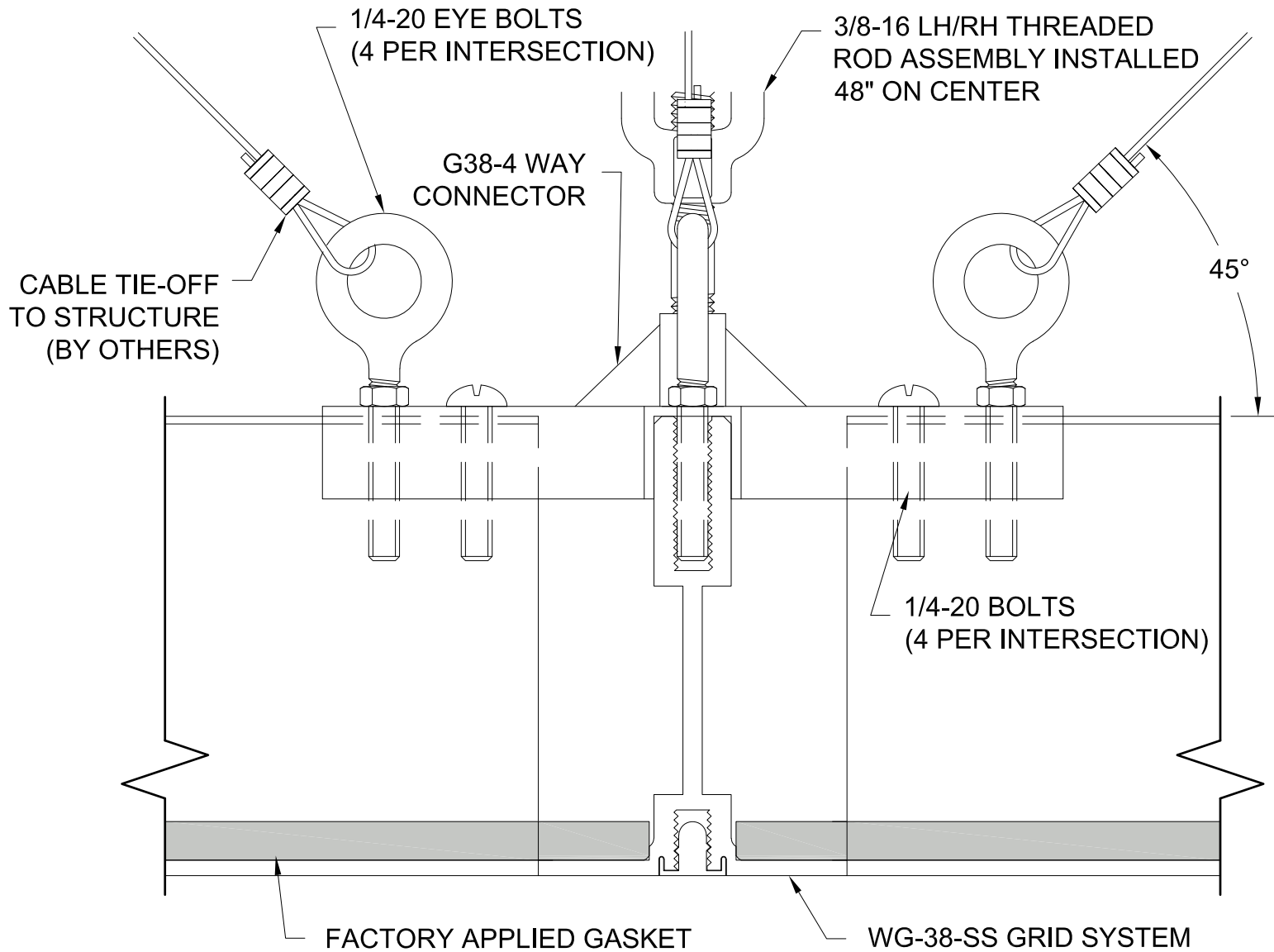
## TYPICAL GRID PLAN

CONTACT GORDON CLEANROOM PRODUCTS DIVISION  
FOR INFORMATION ON PANEL OPTIONS SIZED TO FIT THIS GRID MODULE

**GORDON**<sup>®</sup>  
ARCHITECTURAL+ENGINEERED SOLUTIONS

5023 Hazel Jones Rd.  
Bossier City, LA 71111  
800.747.8954  
GORDON-INC.COM  
sales@gordon-inc.com

CLEANROOM CEILINGS  
SUSPENSION - WALKABLE - WG-38-SS  
48 1/2" / 48 1/2" GRID PLAN

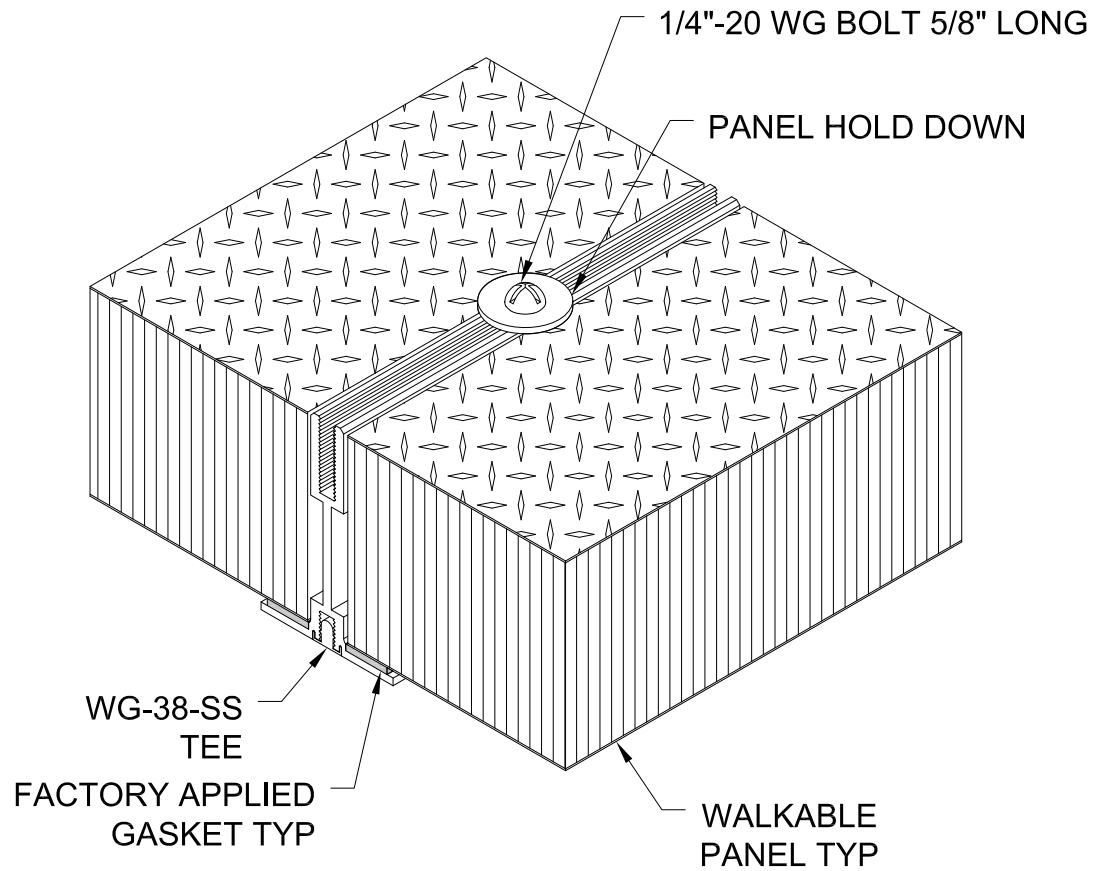


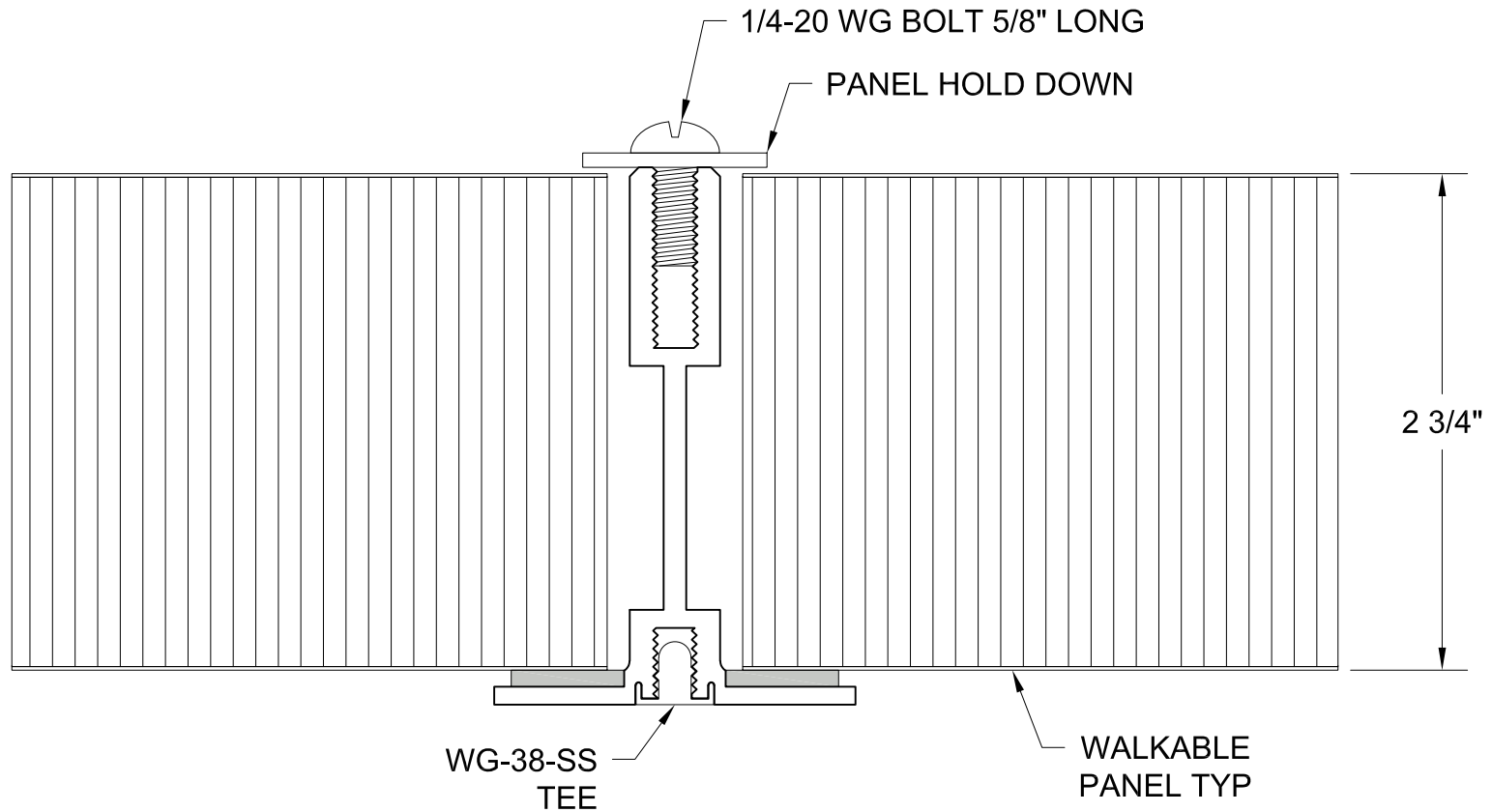
**GORDON**®  
ARCHITECTURAL+ENGINEERED SOLUTIONS

5023 Hazel Jones Rd.  
Bossier City, LA 71111  
800.747.8954  
GORDON-INC.COM  
sales@gordon-inc.com

**CLEANROOM CEILINGS  
SUSPENSION - WALKABLE - WG-38-SS  
SEISMIC DETAIL**



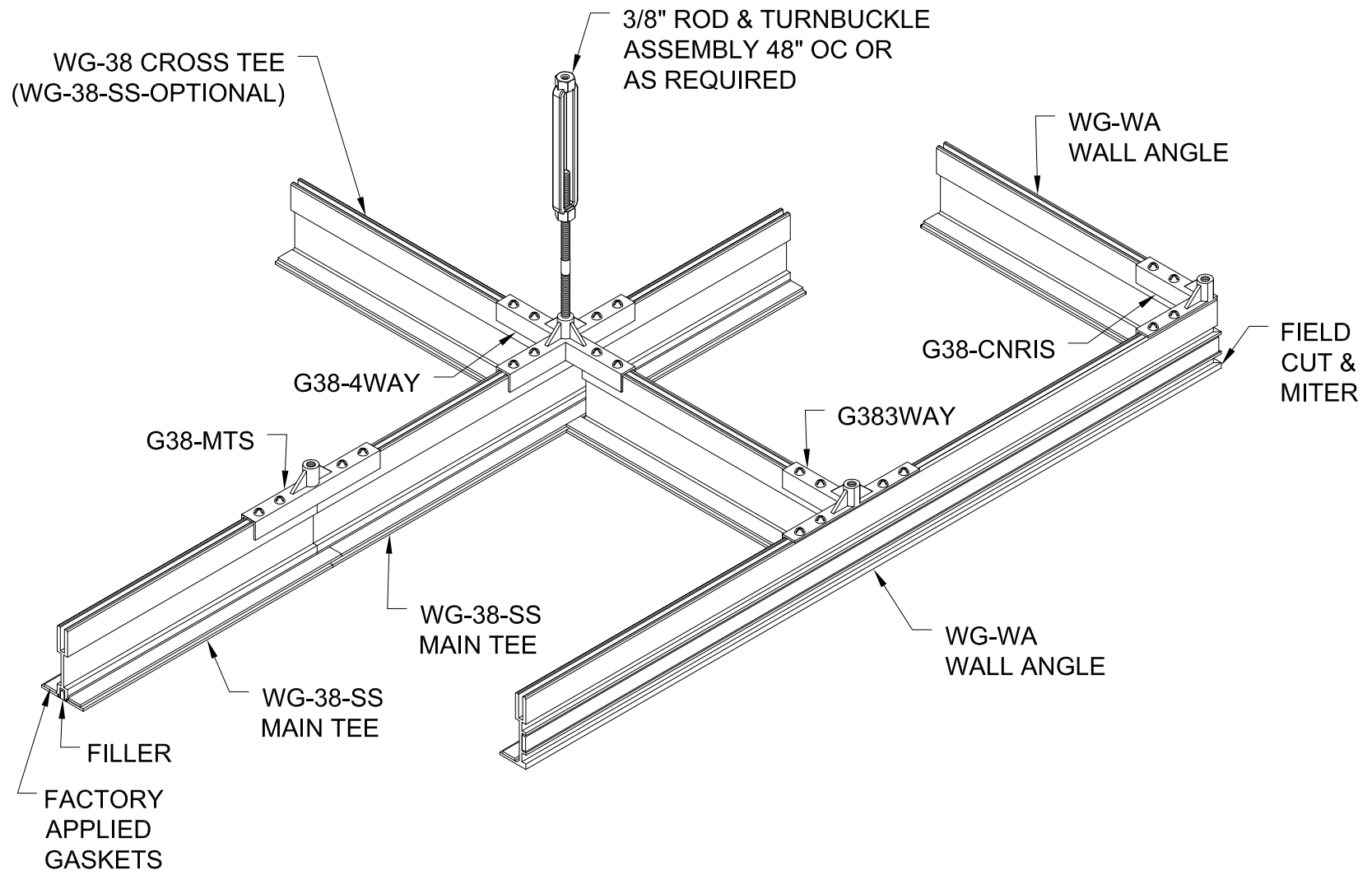




**GORDON**<sup>®</sup>  
ARCHITECTURAL+ENGINEERED SOLUTIONS

5023 Hazel Jones Rd.  
Bossier City, LA 71111  
800.747.8954  
GORDON-INC.COM  
sales@gordon-inc.com

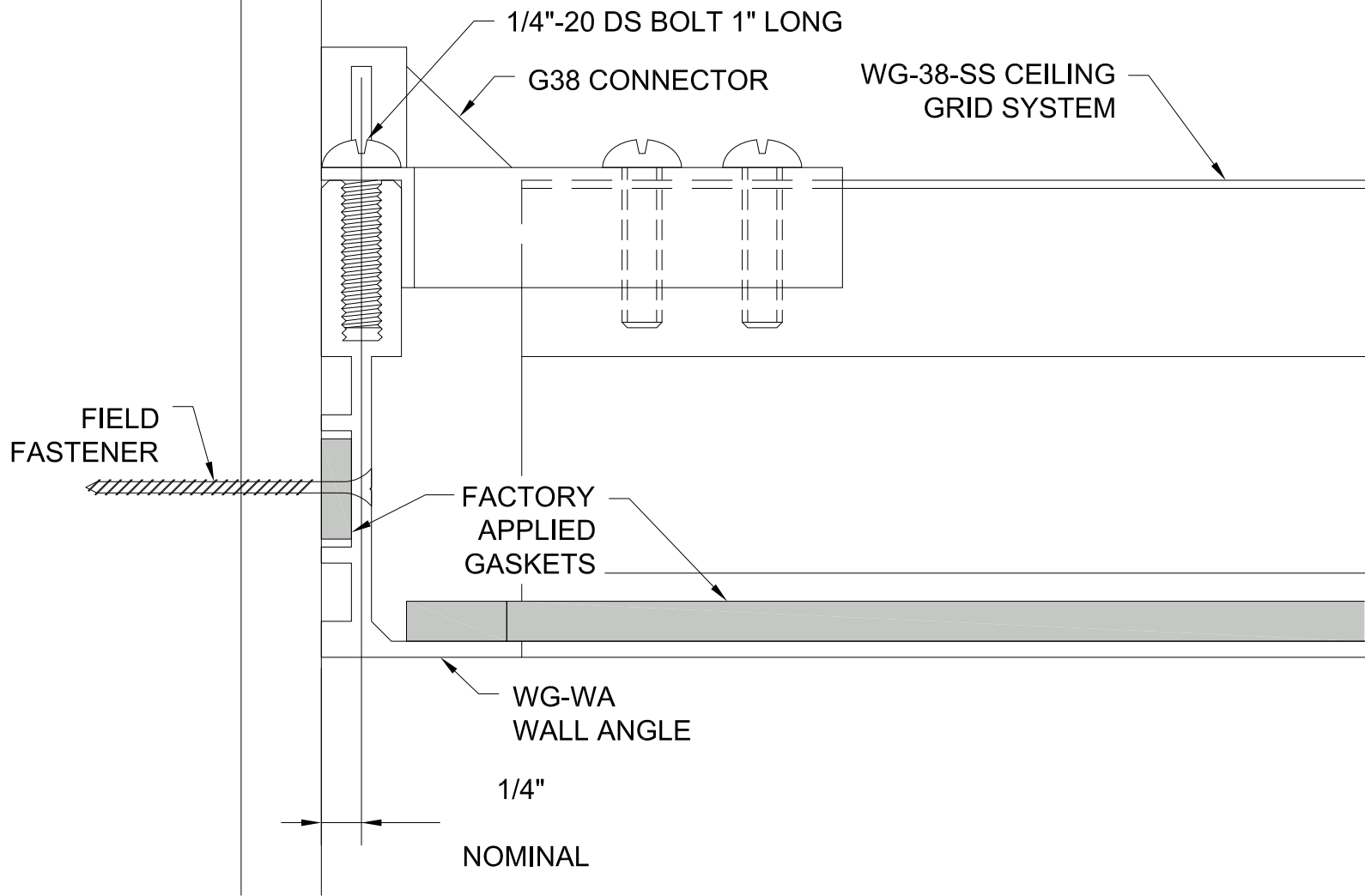
CLEANROOM CEILINGS  
SUSPENSION - WALKABLE - WG-38-SS  
WALKABLE PANEL SECTION



**GORDON**®  
ARCHITECTURAL+ENGINEERED SOLUTIONS

5023 Hazel Jones Rd.  
Bossier City, LA 71111  
800.747.8954  
GORDON-INC.COM  
sales@gordon-inc.com

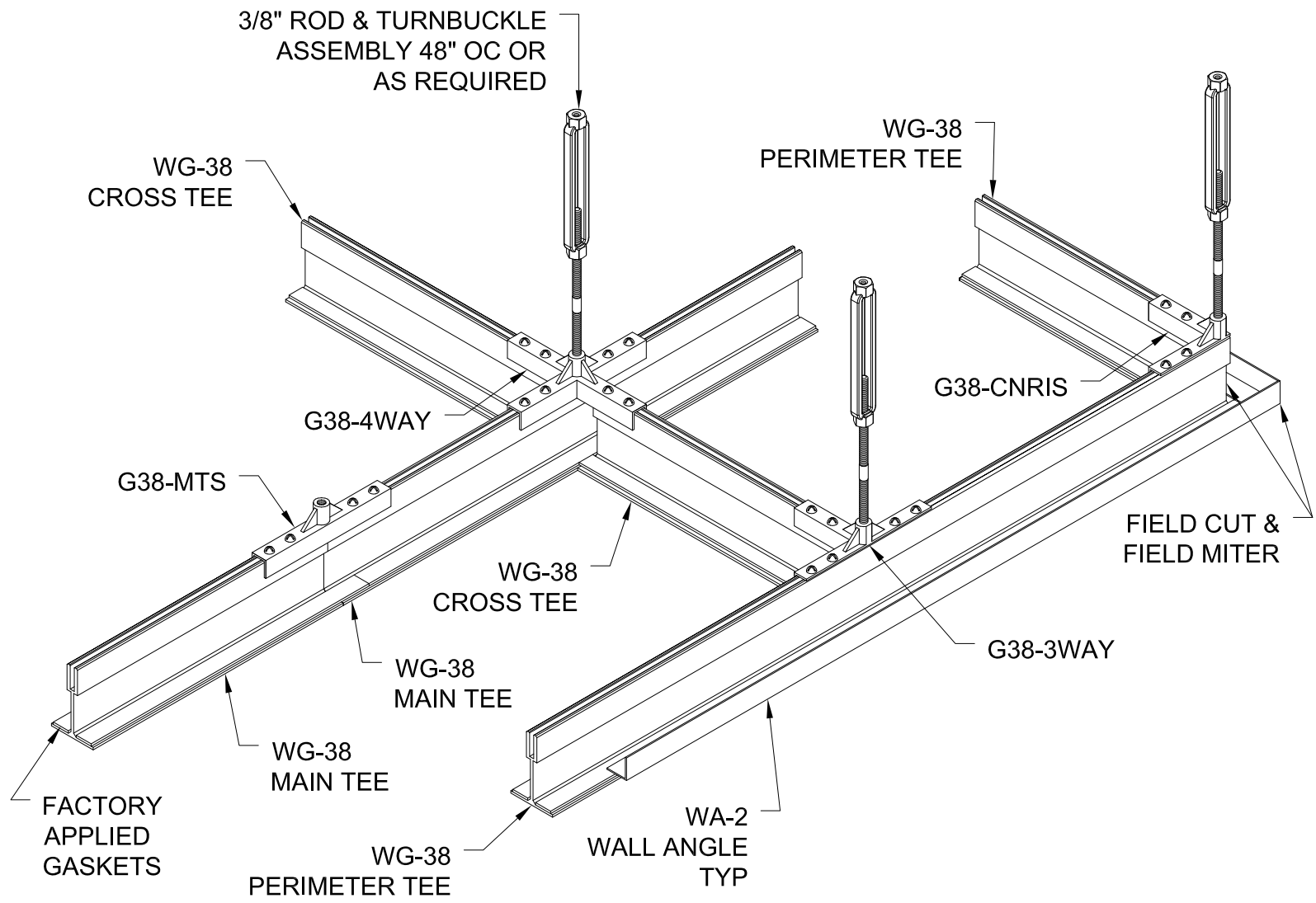
CLEANROOM CEILINGS  
SUSPENSION - WALKABLE - WG-38-SS  
FIXED PERIMETER ISOMETRIC



**GORDON**<sup>®</sup>  
 ARCHITECTURAL+ENGINEERED SOLUTIONS

5023 Hazel Jones Rd.  
 Bossier City, LA 71111  
 800.747.8954  
 GORDON-INC.COM  
 sales@gordon-inc.com

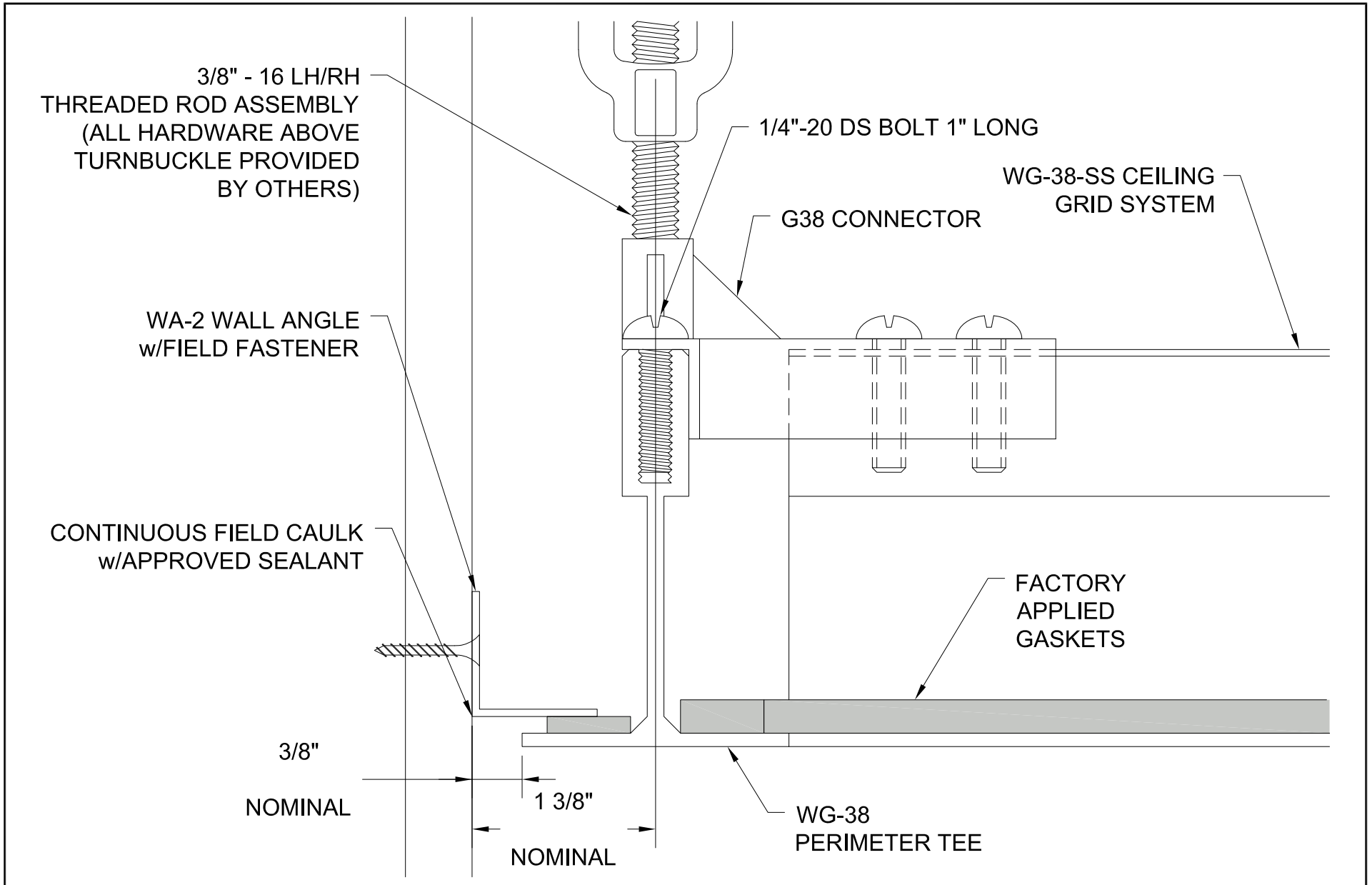
CLEANROOM CEILINGS  
 SUSPENSION - WALKABLE - WG-38-SS  
 FIXED PERIMETER SECTION



**GORDON**® ARCHITECTURAL+ENGINEERED SOLUTIONS

5023 Hazel Jones Rd.  
 Bossier City, LA 71111  
 800.747.8954  
 GORDON-INC.COM  
 sales@gordon-inc.com

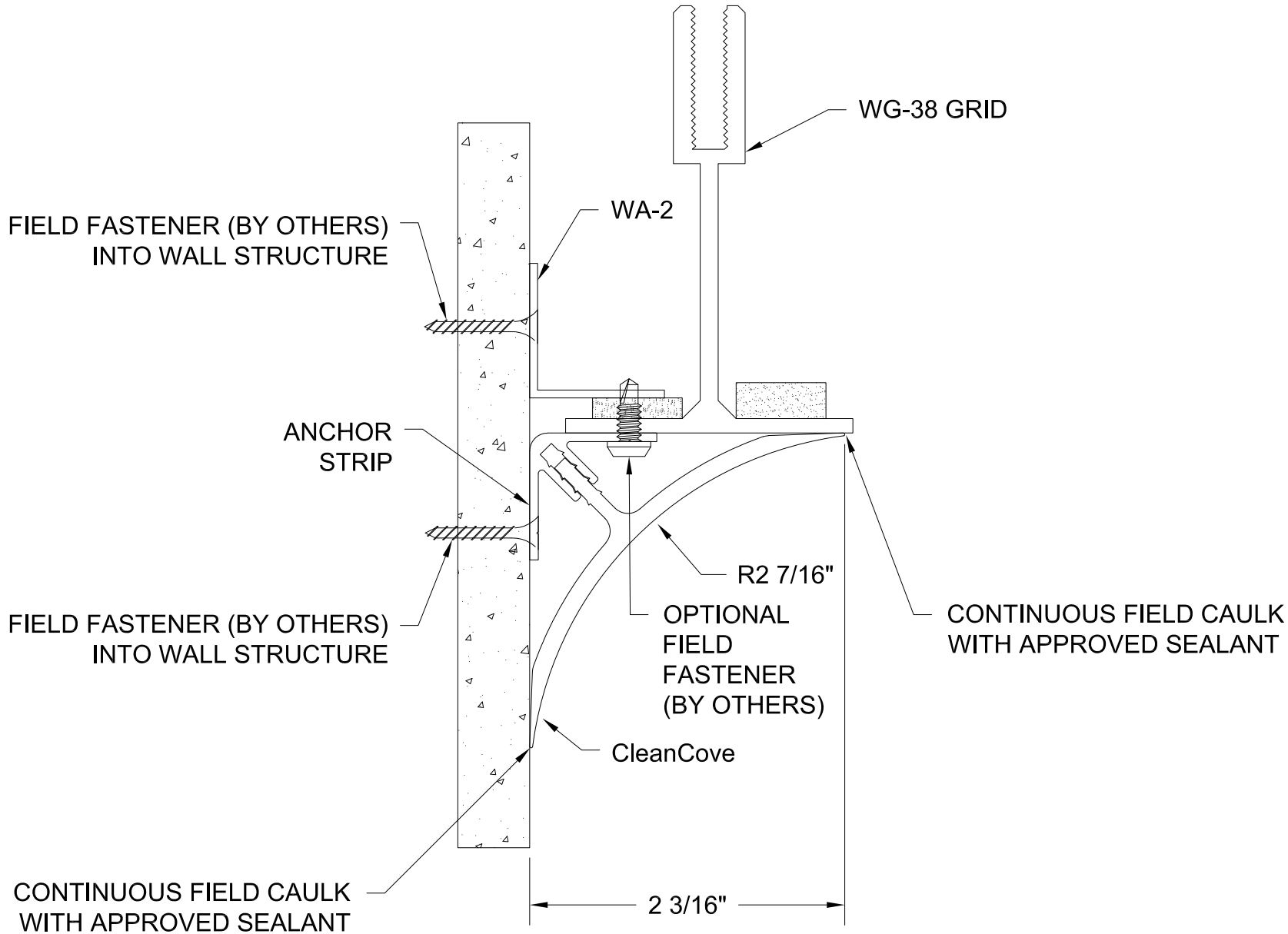
**CLEANROOM CEILINGS  
 SUSPENSION - WALKABLE - WG-38  
 FLOATING PERIMETER ISOMETRIC**



**GORDON**®  
 ARCHITECTURAL+ENGINEERED SOLUTIONS

5023 Hazel Jones Rd.  
 Bossier City, LA 71111  
 800.747.8954  
 GORDON-INC.COM  
 sales@gordon-inc.com

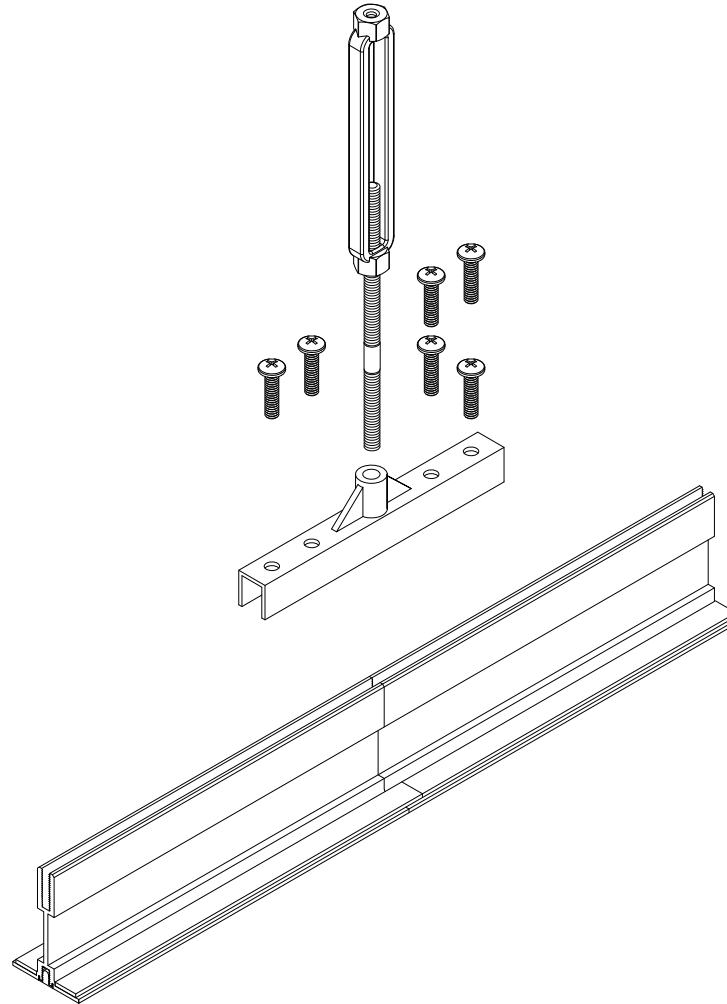
**CLEANROOM CEILINGS  
 SUSPENSION - WALKABLE - WG-38-SS  
 FLOATING PERIMETER SECTION**



**GORDON**<sup>®</sup>  
 ARCHITECTURAL+ENGINEERED SOLUTIONS

5023 Hazel Jones Rd.  
 Bossier City, LA 71111  
 800.747.8954  
 GORDON-INC.COM  
 sales@gordon-inc.com

**CLEANROOM CEILINGS  
 SUSPENSION - WALKABLE - WG-38-SS  
 CLEANCOVE DETAIL**

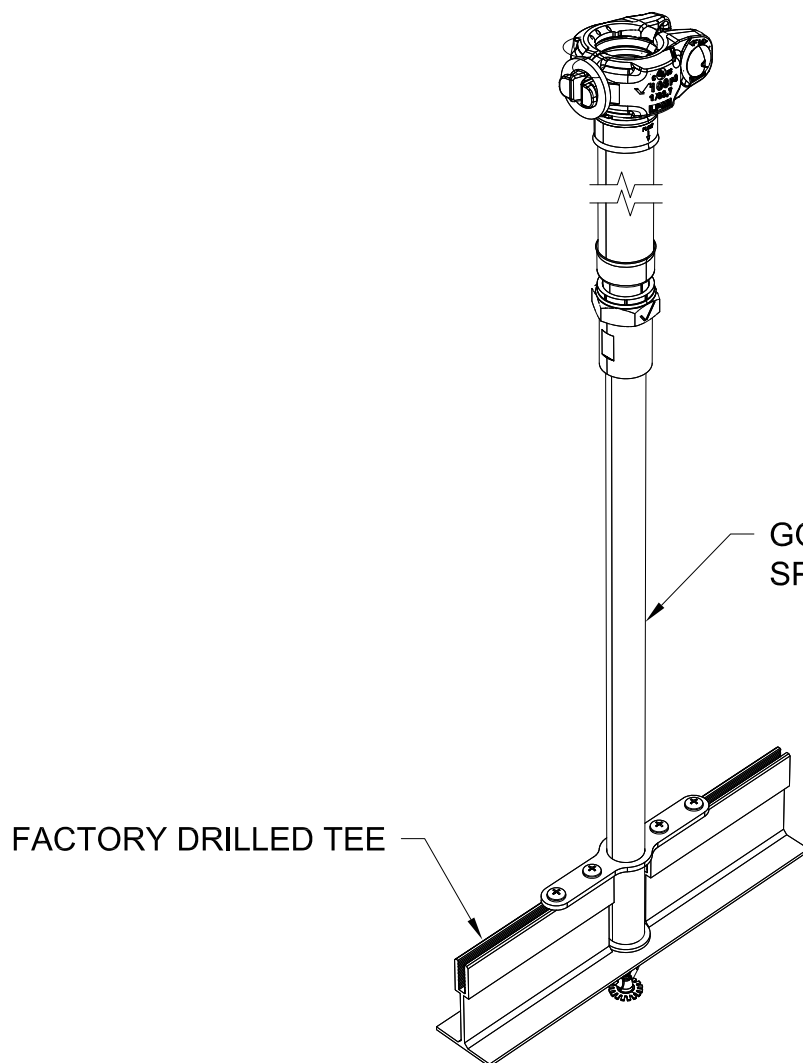


**GORDON**®  
ARCHITECTURAL+ENGINEERED SOLUTIONS

5023 Hazel Jones Rd.  
Bossier City, LA 71111  
800.747.8954  
GORDON-INC.COM  
sales@gordon-inc.com

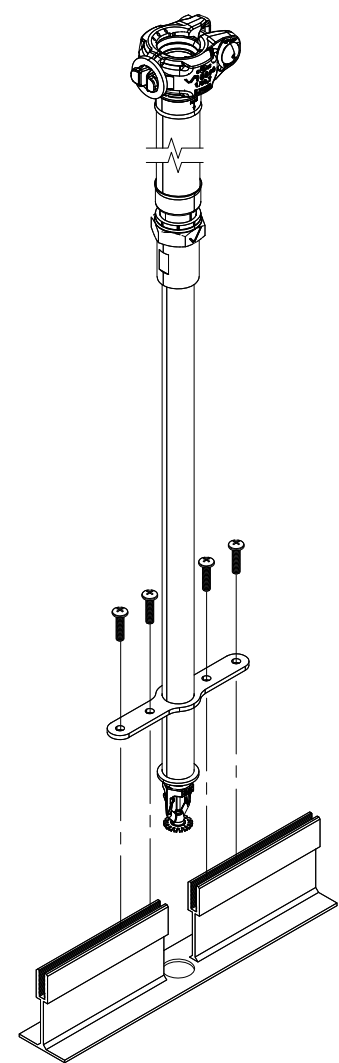
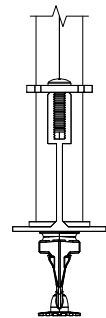
CLEANROOM CEILINGS  
SUSPENSION - WALKABLE - WG-38-SS  
MTS CONNECTOR





FACTORY DRILLED TEE

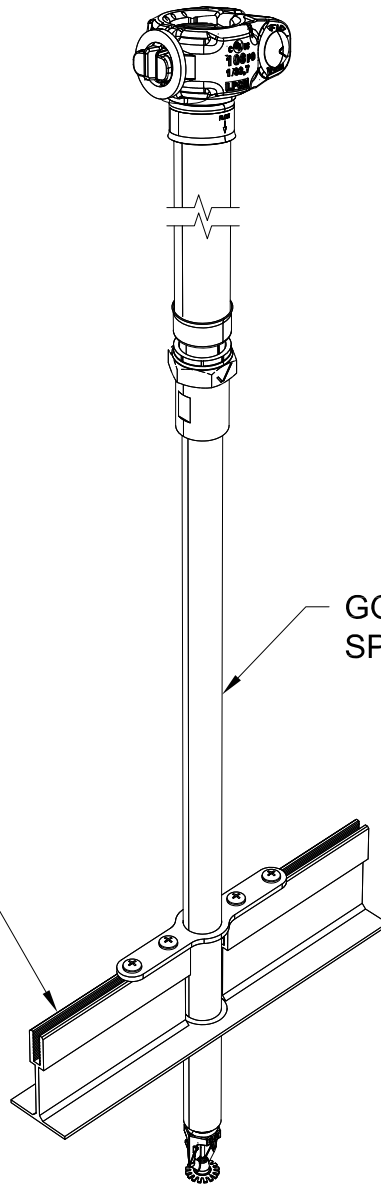
GORDON FLEXIBLE  
SPRINKLER ASSEMBLY



**GORDON**®  
ARCHITECTURAL+ENGINEERED SOLUTIONS

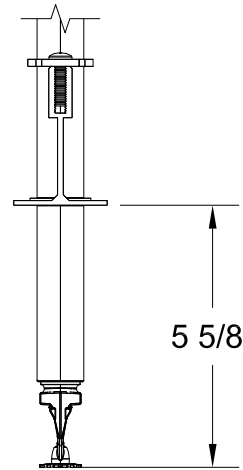
5023 Hazel Jones Rd.  
Bossier City, LA 71111  
800.747.8954  
GORDON-INC.COM  
sales@gordon-inc.com

CLEANROOM CEILINGS  
SUSPENSION - WALKABLE - WG-38-SS  
FLUSH SPRINKLER ASSEMBLY

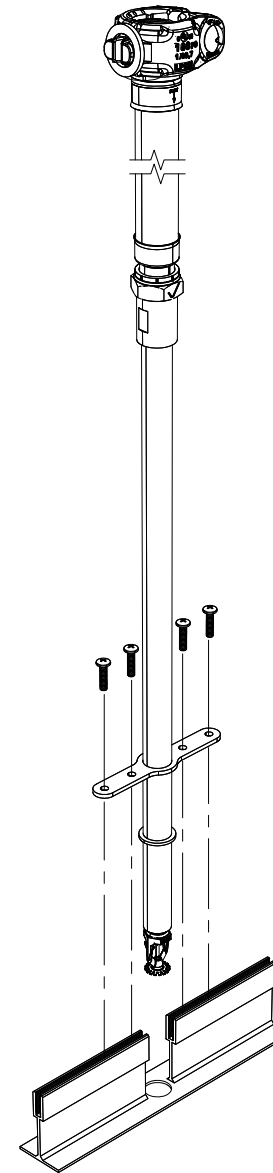


FACTORY DRILLED TEE

GORDON FLEXIBLE  
SPRINKLER ASSEMBLY



5 5/8"



**GORDON**®  
ARCHITECTURAL+ENGINEERED SOLUTIONS

5023 Hazel Jones Rd.  
Bossier City, LA 71111  
800.747.8954  
GORDON-INC.COM  
sales@gordon-inc.com

CLEANROOM CEILINGS  
SUSPENSION - WALKABLE - WG-38-SS  
EXTENDED SPRINKLER ASSEMBLY