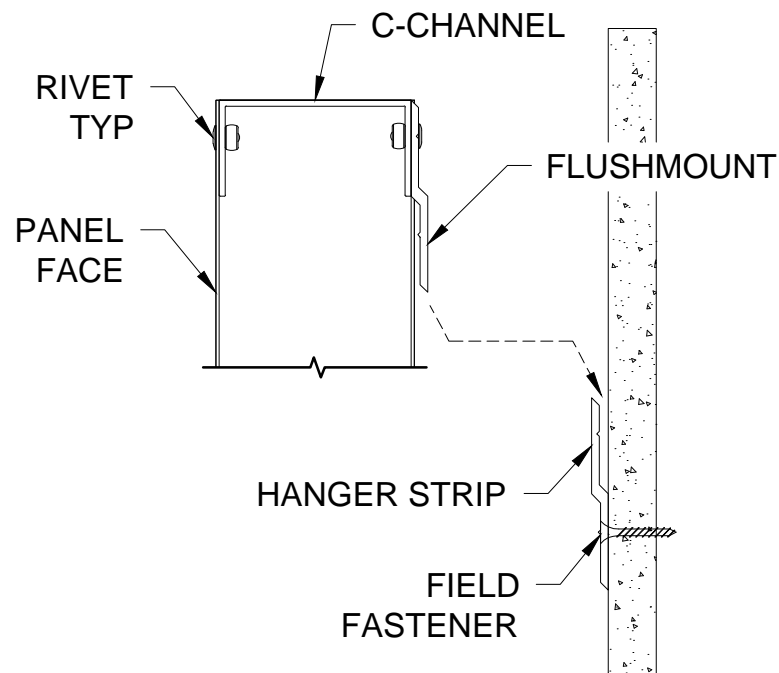


ALPRO VERTICAL WALL MOUNT
BAFFLE WITH FLUSHMOUNTS
(INSULATION NOT SHOWN)



SECTION A-A

ALPRO®
ACOUSTICAL SYSTEMS

5023 HAZEL JONES ROAD, BOSSIER CITY, LA 71111
800.733.3836
800.877.8746 FAX
SALES@ALPROACOUSTICS.COM
ALPROACOUSTICS.COM
AN EMPLOYEE OWNED COMPANY

TITLE

FLUSHMOUNT WALL INSTALLATION (VERTICAL)