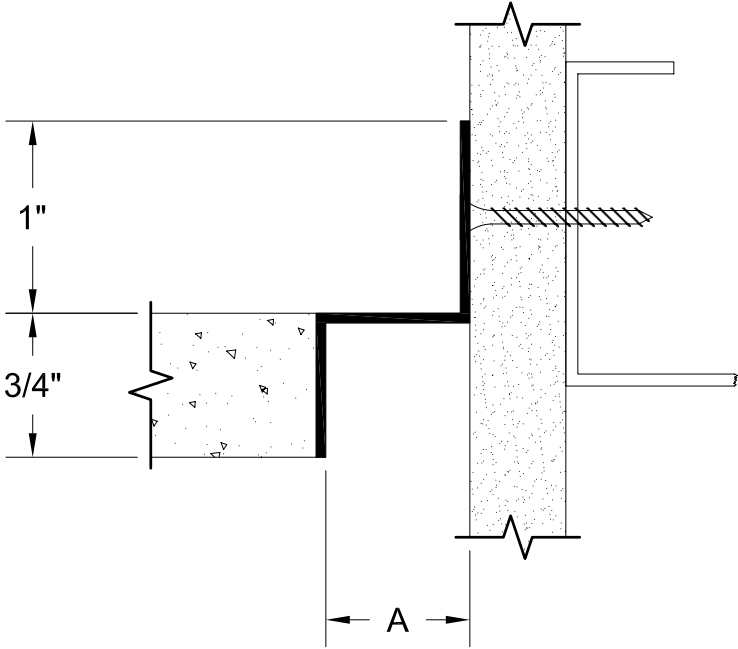


PLASTER	
PART #	"A"
PR-3412	1/2"
PR-3434	3/4"
PR-3410	1"



AVAILABLE VENTED

TITLE

**GORDON**  
INTERIOR SPECIALTIES DIVISION

5023 HAZEL JONES ROAD, BOSSIER CITY, LA 71111  
800.747.8954  
800.877.8746 FAX  
SALES@GORDONCEILINGS.COM  
GORDONCEILINGS.COM

FINAL FORMS II  
SERIES P DETAILS