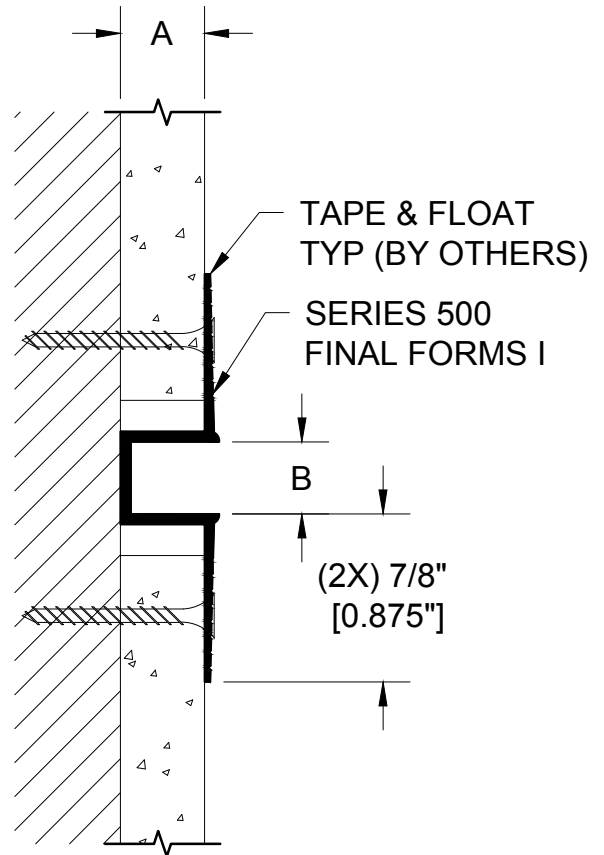


SERIES 500

PART #	"A"	"B"
518-1/2***	7/16"	1/8"
514-1/2***	7/16"	1/4"
538-1/2***	7/16"	3/8"
512-1/2*	7/16"	1/2"
558-1/2	7/16"	5/8"
534-1/2*	7/16"	3/4"
510-1/2	7/16"	1"
515-1/2*	7/16"	1-1/2"
5134-1/2	7/16"	1-3/4"
520-1/2	7/16"	2"
525-1/2	7/16"	2-1/2"
530-1/2	7/16"	3"
540-1/2	7/16"	4"
514-5/8***	5/8"	1/4"
538-5/8***	5/8"	3/8"
512-5/8*	5/8"	1/2"
558-5/8	5/8"	5/8"
534-5/8*	5/8"	3/4"
510-5/8	5/8"	1"
5125-5/8	5/8"	1-1/4"
515-5/8*	5/8"	1-1/2"
520-5/8	5/8"	2"
525-5/8	5/8"	2-1/2"
530-5/8	5/8"	3"
540-5/8	5/8"	4"
580-5/8	5/8"	8"
510-3/4	3/4"	1"
534-100	1"	3/4"
510-100	1"	1"
5125-100	1"	1-1/4"
520-100	1"	2"
535-100	1"	3-1/2"
515-125	1-1/4"	1-1/2"
520-125	1-1/4"	2"
525-125	1-1/4"	2-1/2"
530-125	1-1/4"	3"
560-125	1-1/4"	6"
520-200	2"	2"
***CUSTOM INSERT - TOOLING & LEAD TIME REQUIRED		



*EXTRUDED
INSERTS
AVAILABLE



BRAKE FORM
INSERTS
AVAILABLE
FOR OTHER
PROFILES

GORDON
INTERIOR SPECIALTIES DIVISION

5023 HAZEL JONES ROAD, BOSSIER CITY, LA 71111
800.747.8954
800.877.8746 FAX
SALES@GORDONCEILING.COM
GORDONCEILING.COM

TITLE

**FINAL FORMS I
SERIES 500**