

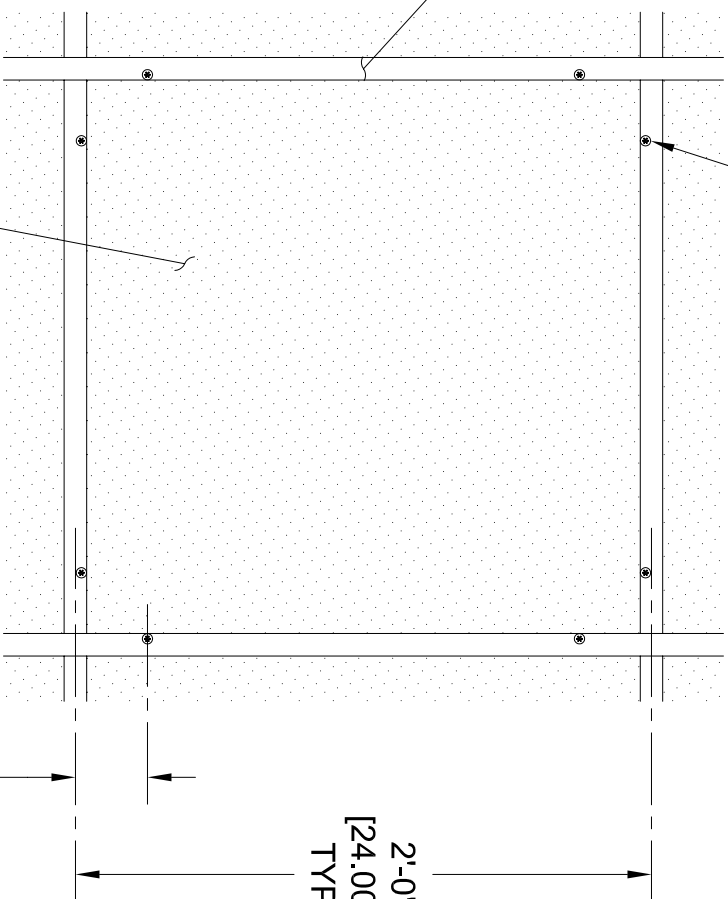
#12 x 3/4" TORX
SECURITY SCREWS TYP
(8X) PER ACCESS PANEL

HEAVY DUTY
GRID SYSTEM TYP

ACCESS PANEL

2'-0"
[24.000"]
TYP

3"
[3.000"]
NOMINAL TYP



TORX® TAMPER RESISTANT SECURITY SCREWS IS A REGISTERED TRADEMARK OF CAMCAR

5023 HAZEL JONES ROAD, BOSSIER CITY, LA 71111

800.747.8954

800.877.8746 FAX

SALES@GORDONCEILINGS.COM

GORDONCEILINGS.COM

GORDON
INTERIOR SPECIALTIES DIVISION

TITLE

SECURE CEILINGS
FACE VIEW AT ACCESS PANEL