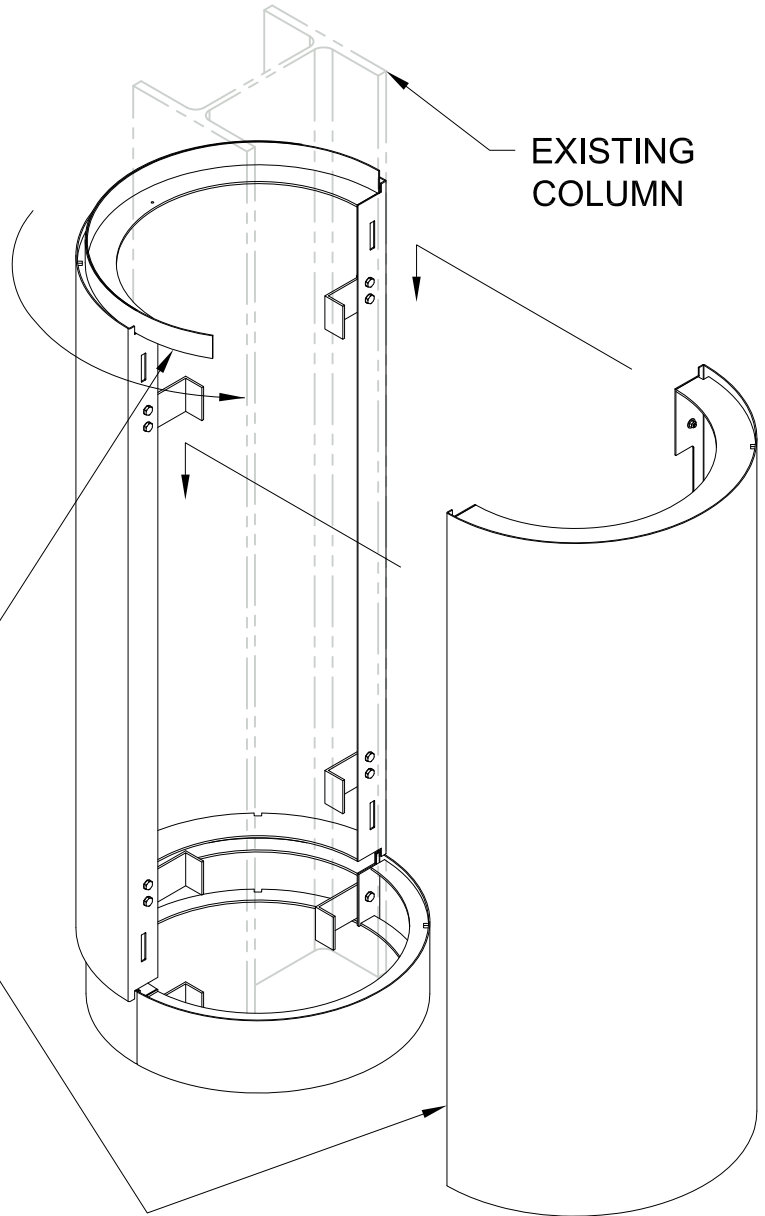


ROTATE TOP REVEAL TRIM
AROUND INSTALLED FEMALE
ENCLOSURE

SECURE BASE REVEALS
AND FEMALE ENCLOSURE TO
COLUMN USING FIELD FASTENERS
AND COLUMN TIE BACK BRACKETS
(BY OTHERS)

ROTATE TOP REVEAL TRIM
OVER INSTALLED MALE
COLUMN ENCLOSURE AND
SECURE TO FEMALE TRIM
USING FIELD FASTENERS

INSTALL MALE COLUMN
COVER ONTO INSTALLED
FEMALE COLUMN ENCLOSURE
USING N-gage(TM)
CONNECTORS
U.S. PATENT #6,148,585



EXISTING
COLUMN

GORDON
INTERIOR SPECIALTIES DIVISION

5023 HAZEL JONES ROAD, BOSSIER CITY, LA 71111
800.747.8954
800.877.8746 FAX
SALES@GORDONCEILINGS.COM
GORDONCEILINGS.COM
AN EMPLOYEE OWNED COMPANY

TITLE

TYPICAL COLUMN
ENCLOSURE ASSEMBLY