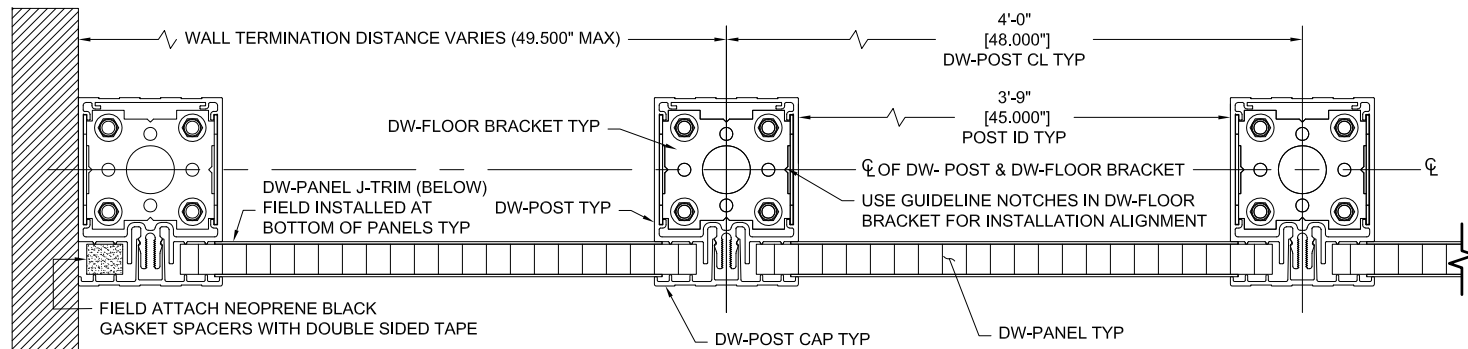


GORDON[®]
ARCHITECTURAL+ENGINEERED SOLUTIONS

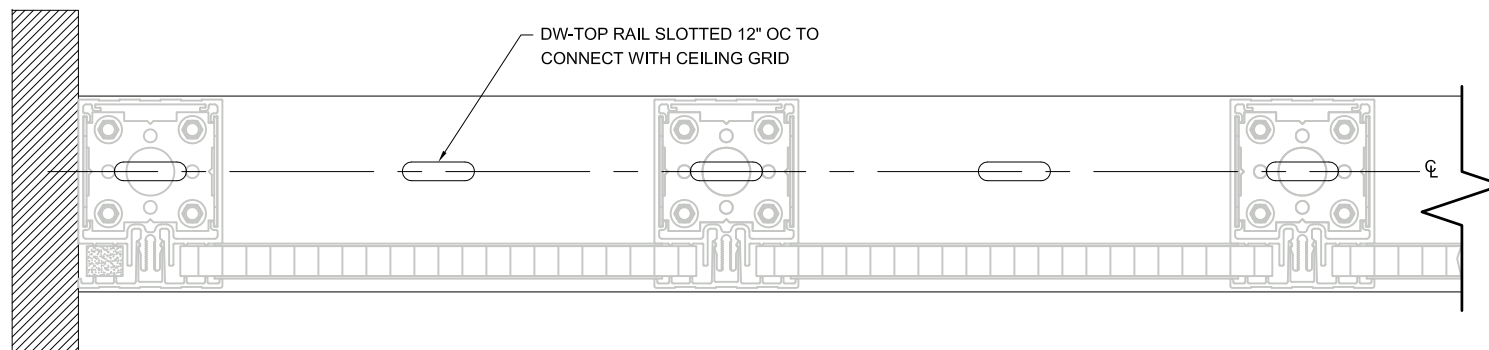
5023 Hazel Jones Rd.
Bossier City, LA 71111
800.747.8954
GORDON-INC.COM
sales@gordon-inc.com

TITLE

GORDON PARTITION WALL
FRONT ELEVATION



PLAN VIEW AT FLOOR



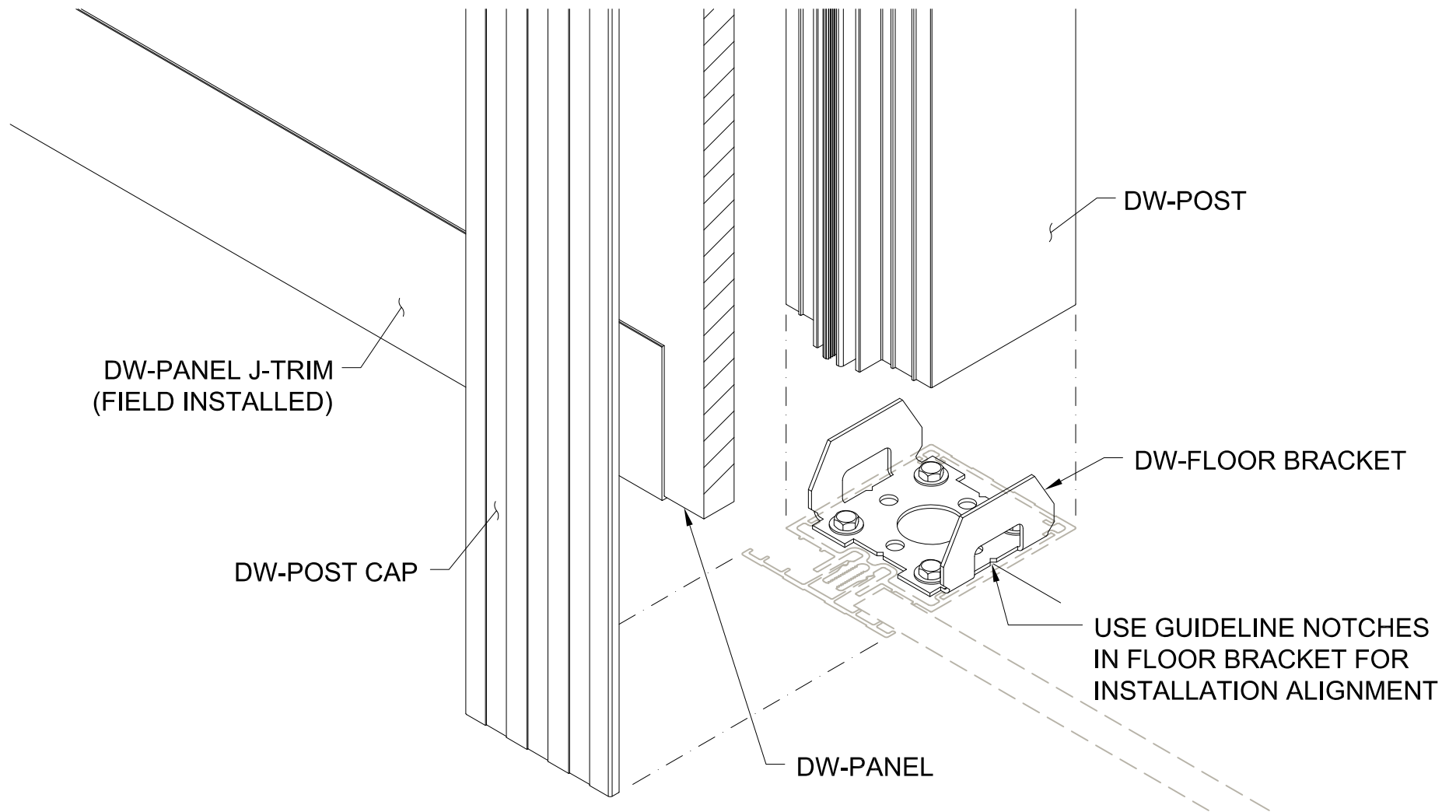
PLAN VIEW AT CEILING

GORDON[®]
ARCHITECTURAL+ENGINEERED SOLUTIONS

5023 Hazel Jones Rd.
Bossier City, LA 71111
800.747.8954
GORDON-INC.COM
sales@gordon-inc.com

TITLE

GORDON PARTITION WALL
PLAN VIEW

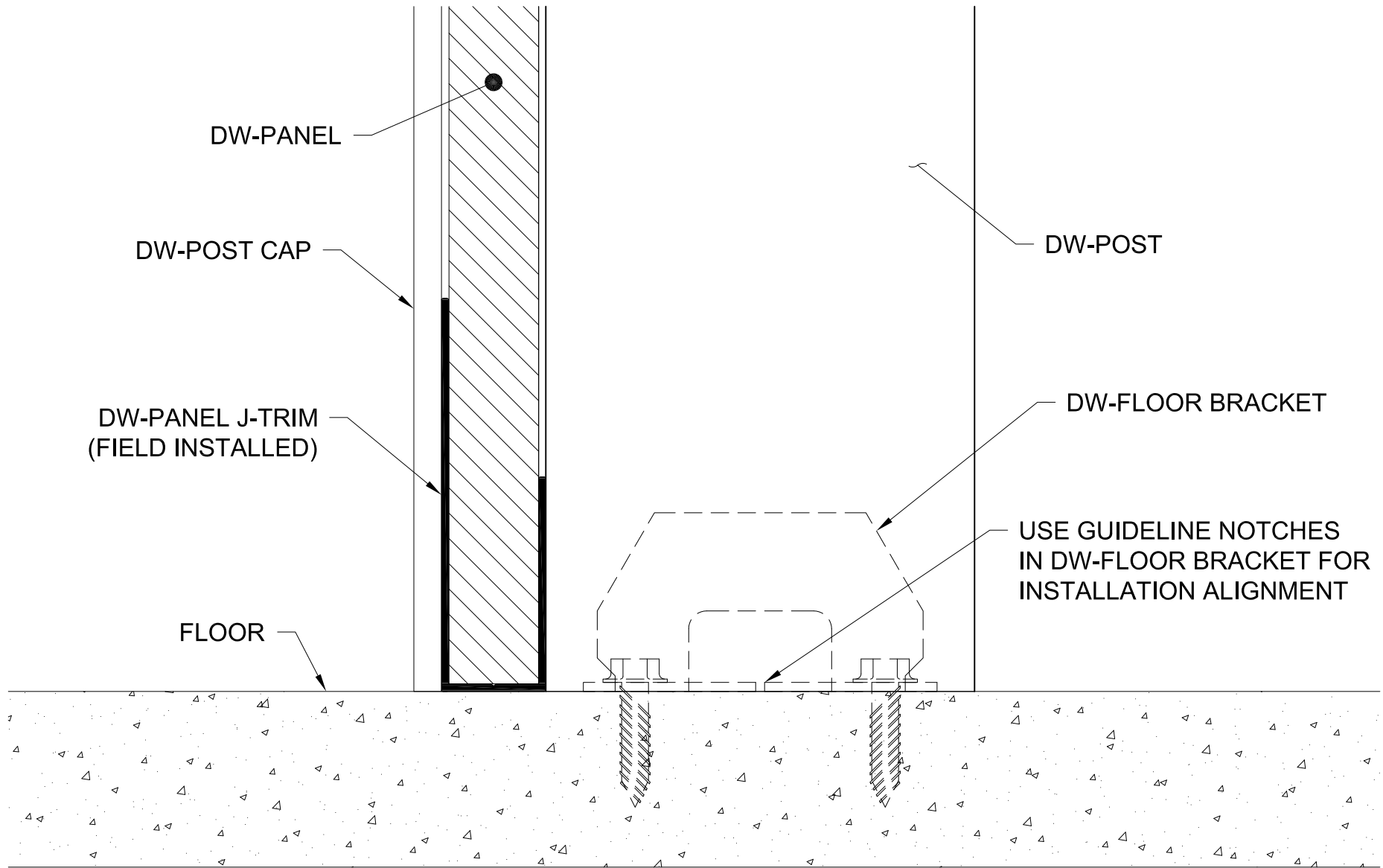


GORDON[®]
ARCHITECTURAL+ENGINEERED SOLUTIONS

5023 Hazel Jones Rd.
Bossier City, LA 71111
800.747.8954
GORDON-INC.COM
sales@gordon-inc.com

TITLE

**GORDON PARTITION WALL
ISOMETRIC AT FLOOR**

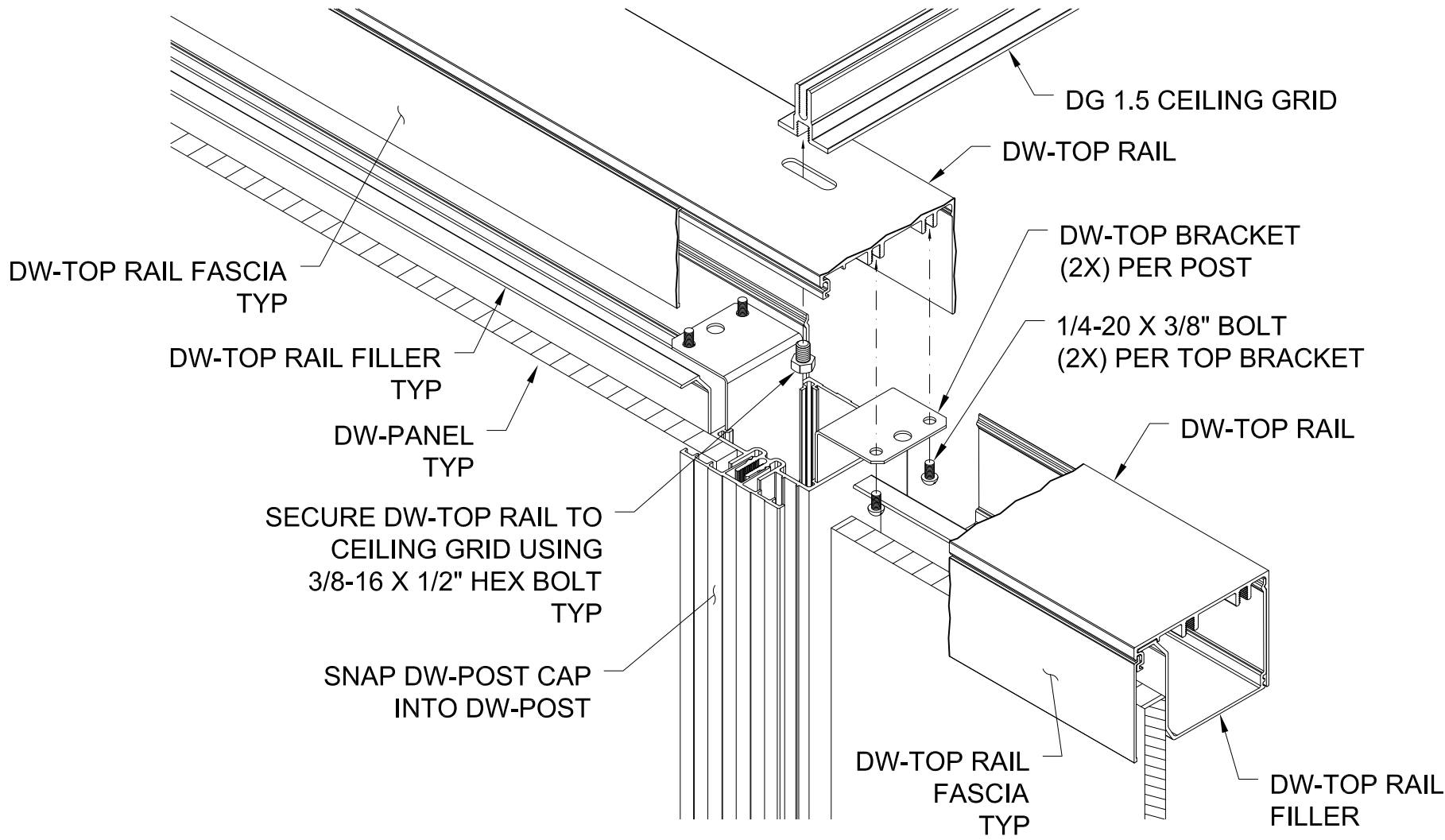


GORDON[®]
ARCHITECTURAL+ENGINEERED SOLUTIONS

5023 Hazel Jones Rd.
Bossier City, LA 71111
800.747.8954
GORDON-INC.COM
sales@gordon-inc.com

TITLE

GORDON PARTITION WALL
SECTION AT FLOOR



GORDON[®]
ARCHITECTURAL+ENGINEERED SOLUTIONS

5023 Hazel Jones Rd.
Bossier City, LA 71111
800.747.8954
GORDON-INC.COM
sales@gordon-inc.com

TITLE

**GORDON PARTITION WALL
ISOMETRIC AT CEILING**

DG 1.5
CEILING GRID

☉ OF SLOT IN TOP RAIL SHOULD
ALIGN WITH CL OF POST & FLOOR
BRACKET

1/4-20 X 3/8"
BOLTS TYP

3/8-16 X 1/2"
HEXHEAD BOLT

DW-TOP RAIL FASCIA

TOP OF
DW-POST

1 13/16"
[1.813"]

DW-TOP RAIL

DW-PANEL

DW-POST CAP

DW-TOP RAIL FILLER

DW-TOP BRACKET

GORDON[®]
ARCHITECTURAL+ENGINEERED SOLUTIONS

5023 Hazel Jones Rd.
Bossier City, LA 71111
800.747.8954
GORDON-INC.COM
sales@gordon-inc.com

TITLE

GORDON PARTITION WALL
SECTION AT CEILING