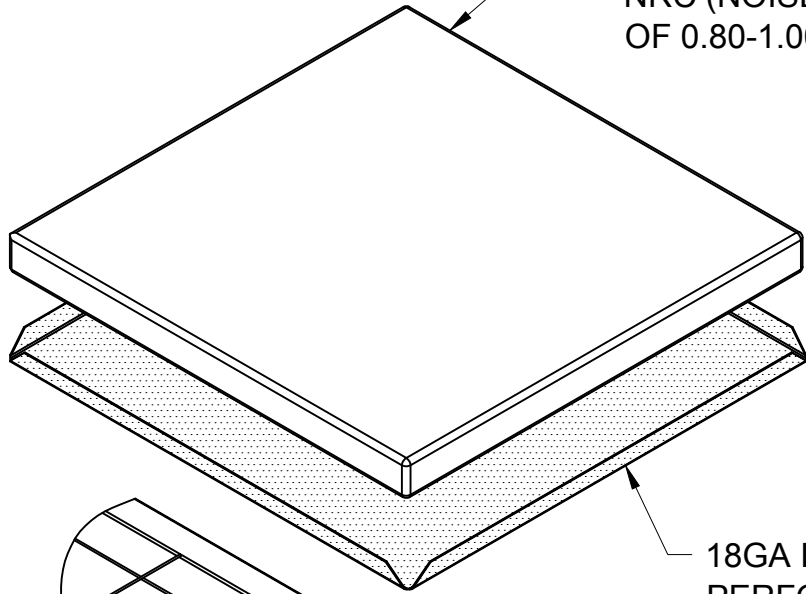
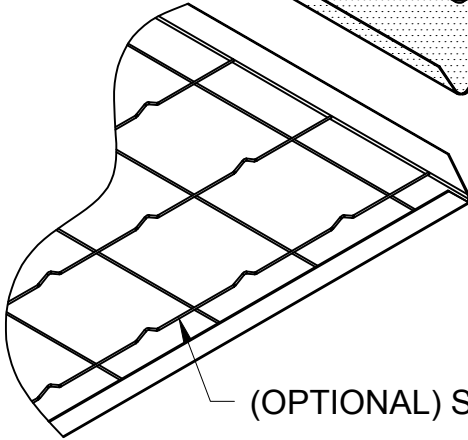


CLASS A POLYETHYLENE WRAPPED
ACOUSTICAL INSULATION WITH A
NRC (NOISE REDUCTION COEFFICIENT)
OF 0.80-1.00

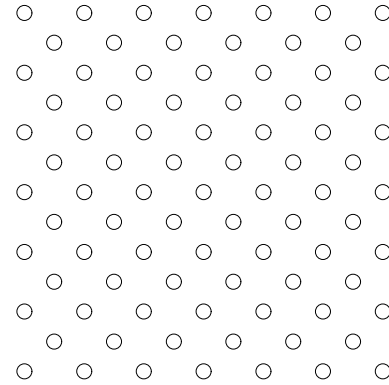


18GA Integrum™
PERFORATED PANEL



(OPTIONAL) SPACER GRID

PERFORATION
DIRECTION



R564-732DG10 PANEL PERFORATION DETAIL

Ø0.080" HOLES ON 0.220" 45° DIAGONAL CENTERS

10% OPEN AREA

SCALE: 1:1

GORDON®
ARCHITECTURAL+ENGINEERED SOLUTIONS

5023 Hazel Jones Rd.
Bossier City, LA 71111
800.747.8954
GORDON-INC.COM
sales@gordon-inc.com

TITLE

Integrum™
ISOMETRIC PANEL DETAIL