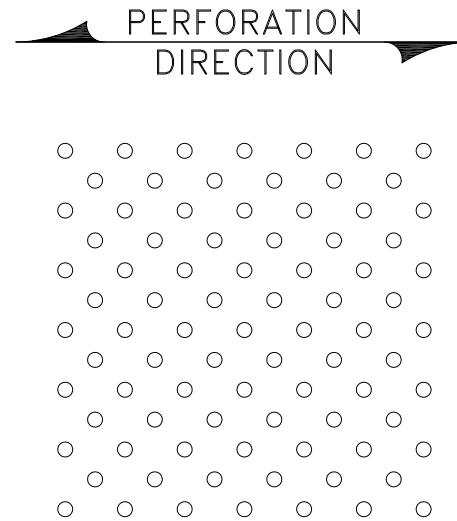
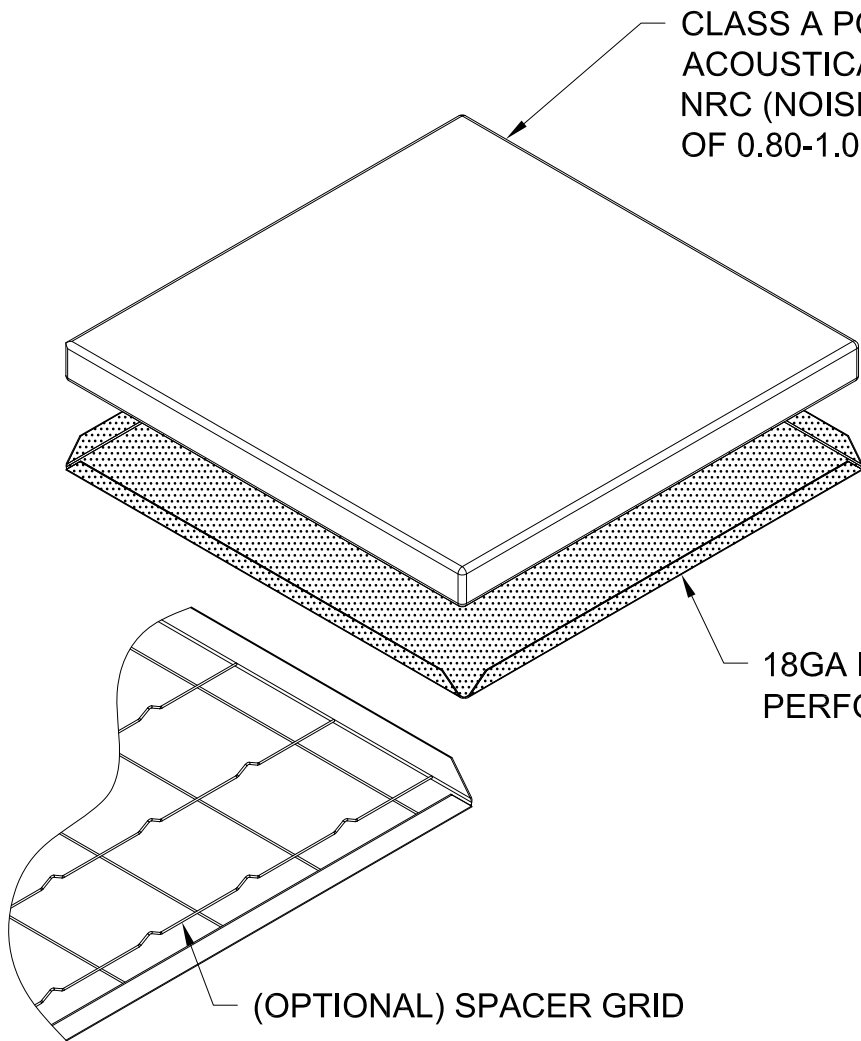


**GORDON**®  
ARCHITECTURAL+ENGINEERED SOLUTIONS

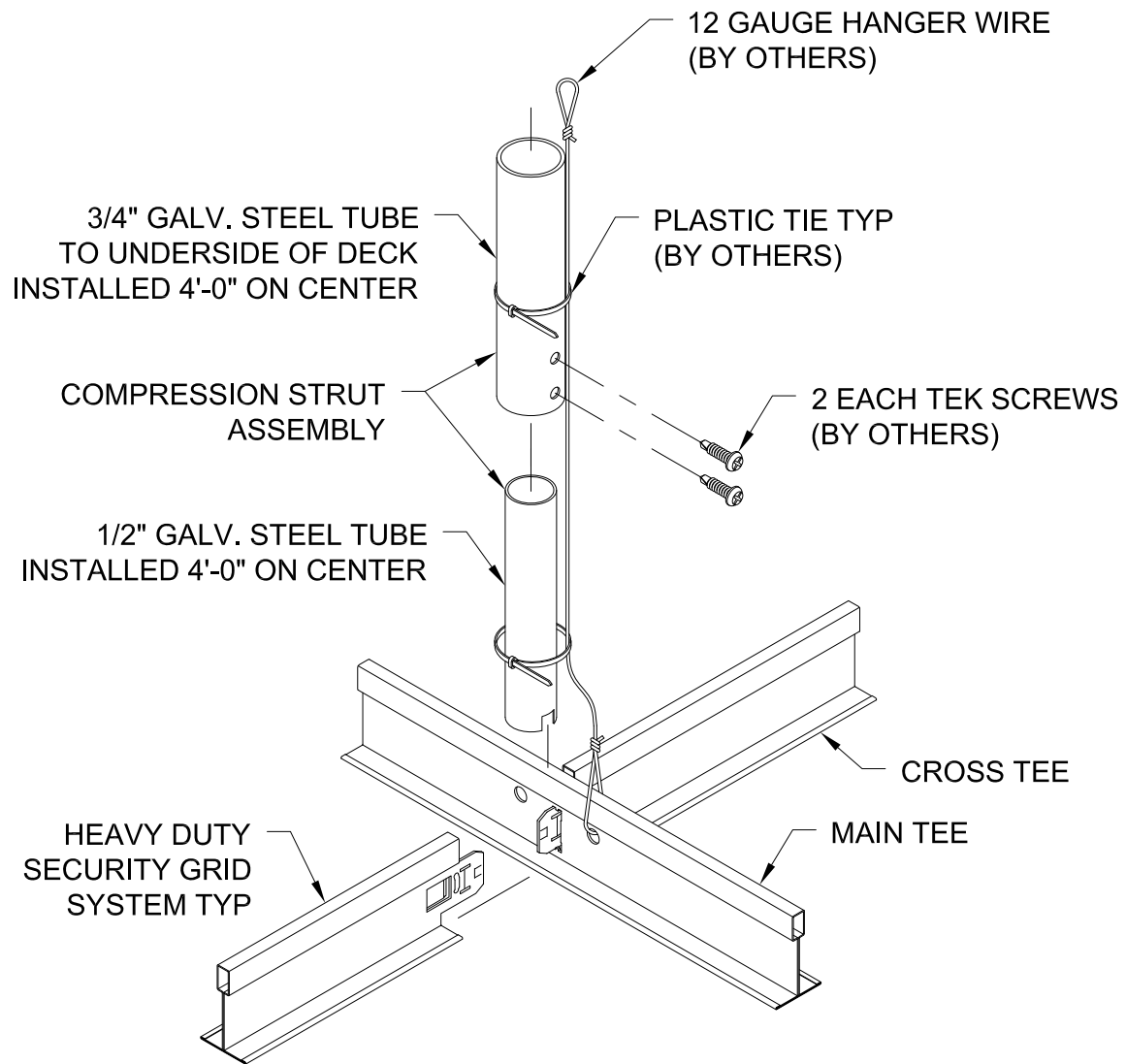
5023 Hazel Jones Rd.  
Bossier City, LA 71111  
800.747.8954  
GORDON-INC.COM  
sales@gordon-inc.com

TITLE

Integrum™  
ISOMETRIC ASSEMBLY



R564-732DG10 PANEL PERFORATION DETAIL  
 Ø0.080" HOLES ON 0.220" 45° DIAGONAL CENTERS  
 10% OPEN AREA  
 SCALE: 1:1

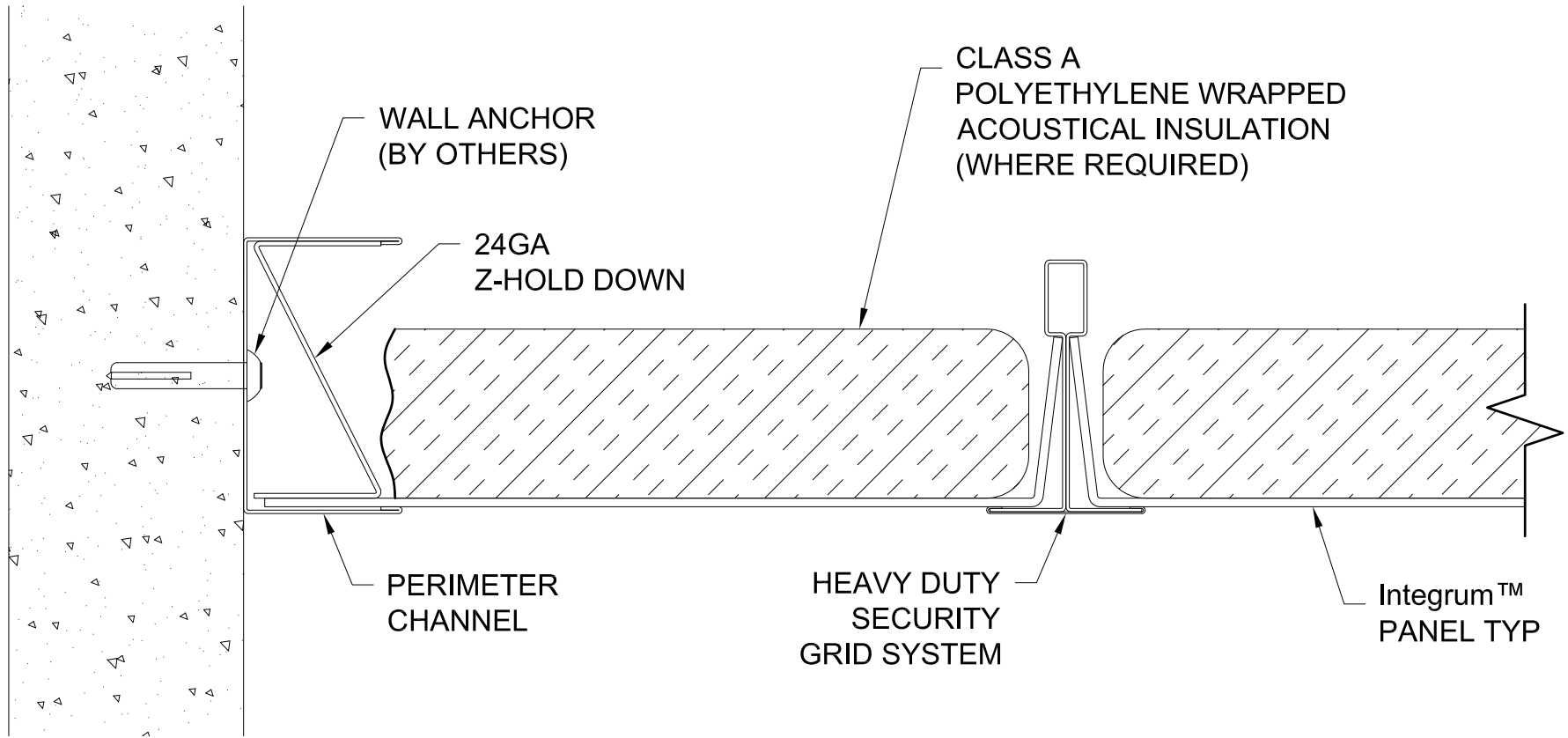


**GORDON**<sup>®</sup>  
ARCHITECTURAL+ENGINEERED SOLUTIONS

5023 Hazel Jones Rd.  
Bossier City, LA 71111  
800.747.8954  
GORDON-INC.COM  
sales@gordon-inc.com

TITLE

Integrum<sup>™</sup>  
DETAIL AT COMPRESSION STRUT

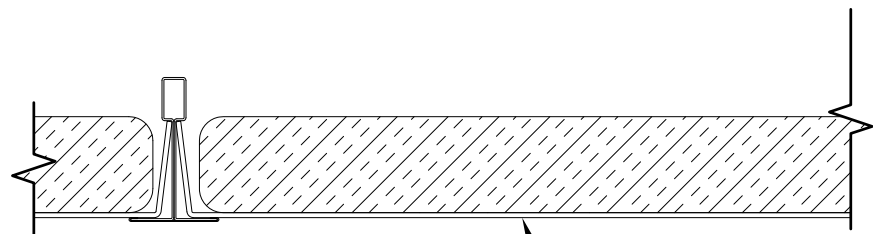


**GORDON**<sup>®</sup>  
ARCHITECTURAL+ENGINEERED SOLUTIONS

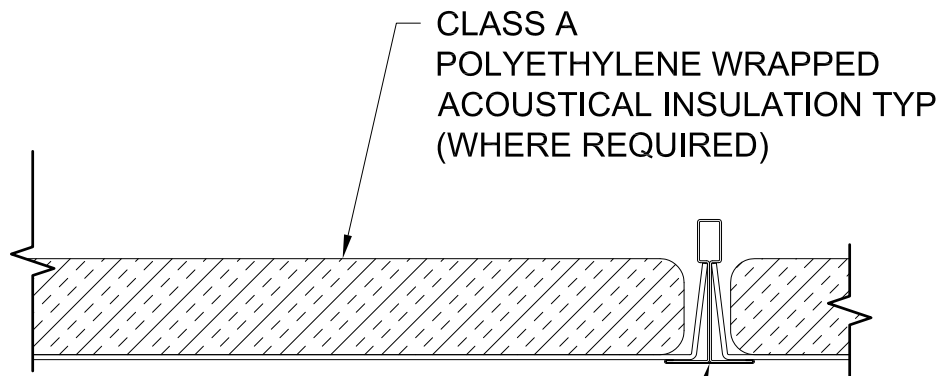
5023 Hazel Jones Rd.  
Bossier City, LA 71111  
800.747.8954  
GORDON-INC.COM  
sales@gordon-inc.com

TITLE

Integrum<sup>™</sup>  
SECTION AT PERIMETER



Integrum™  
PANEL TYP



HEAVY DUTY  
SECURITY GRID SYSTEM

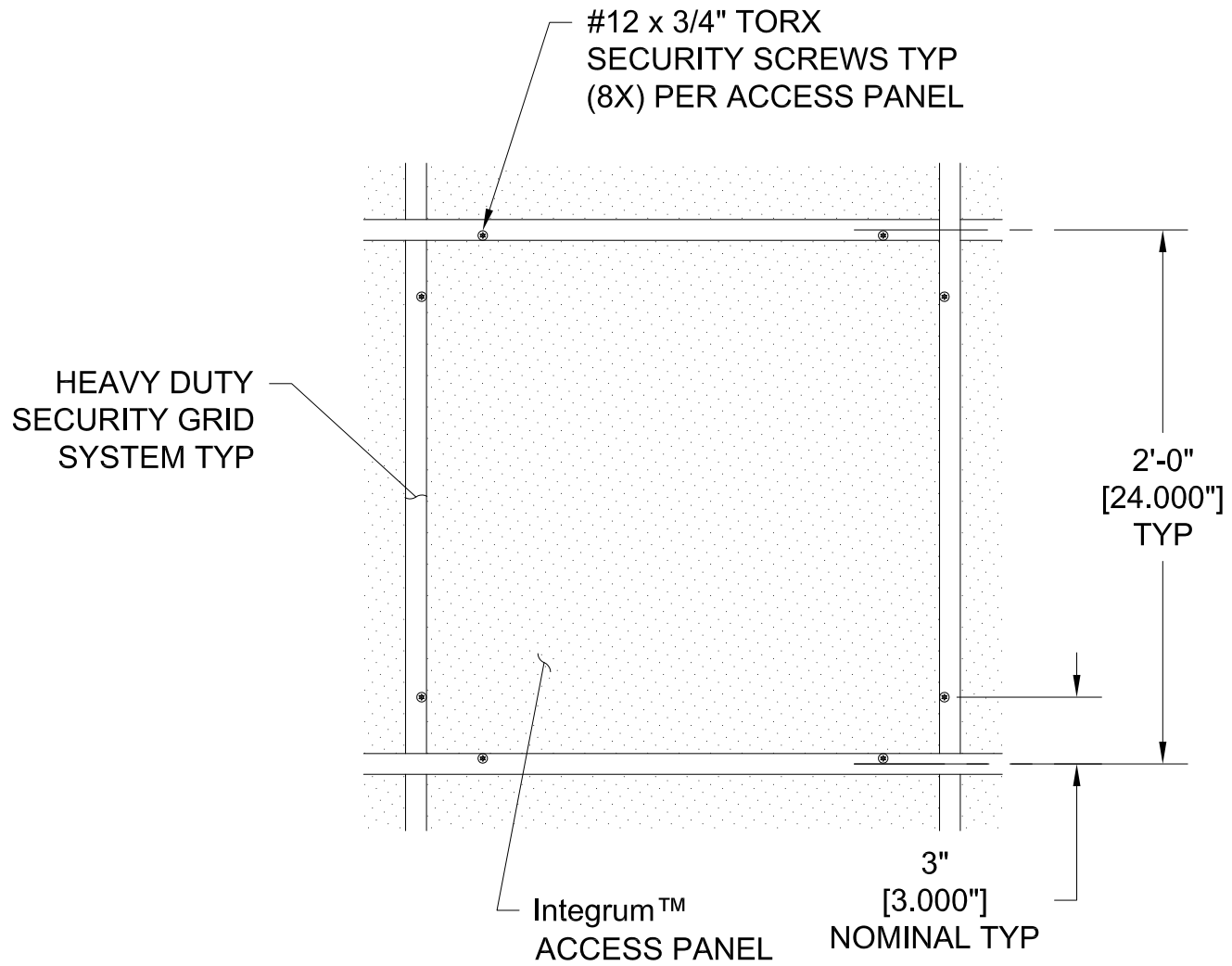
CLASS A  
POLYETHYLENE WRAPPED  
ACOUSTICAL INSULATION TYP  
(WHERE REQUIRED)

**GORDON**®  
ARCHITECTURAL+ENGINEERED SOLUTIONS

5023 Hazel Jones Rd.  
Bossier City, LA 71111  
800.747.8954  
GORDON-INC.COM  
sales@gordon-inc.com

TITLE

Integrum™  
SECTION AT PANEL



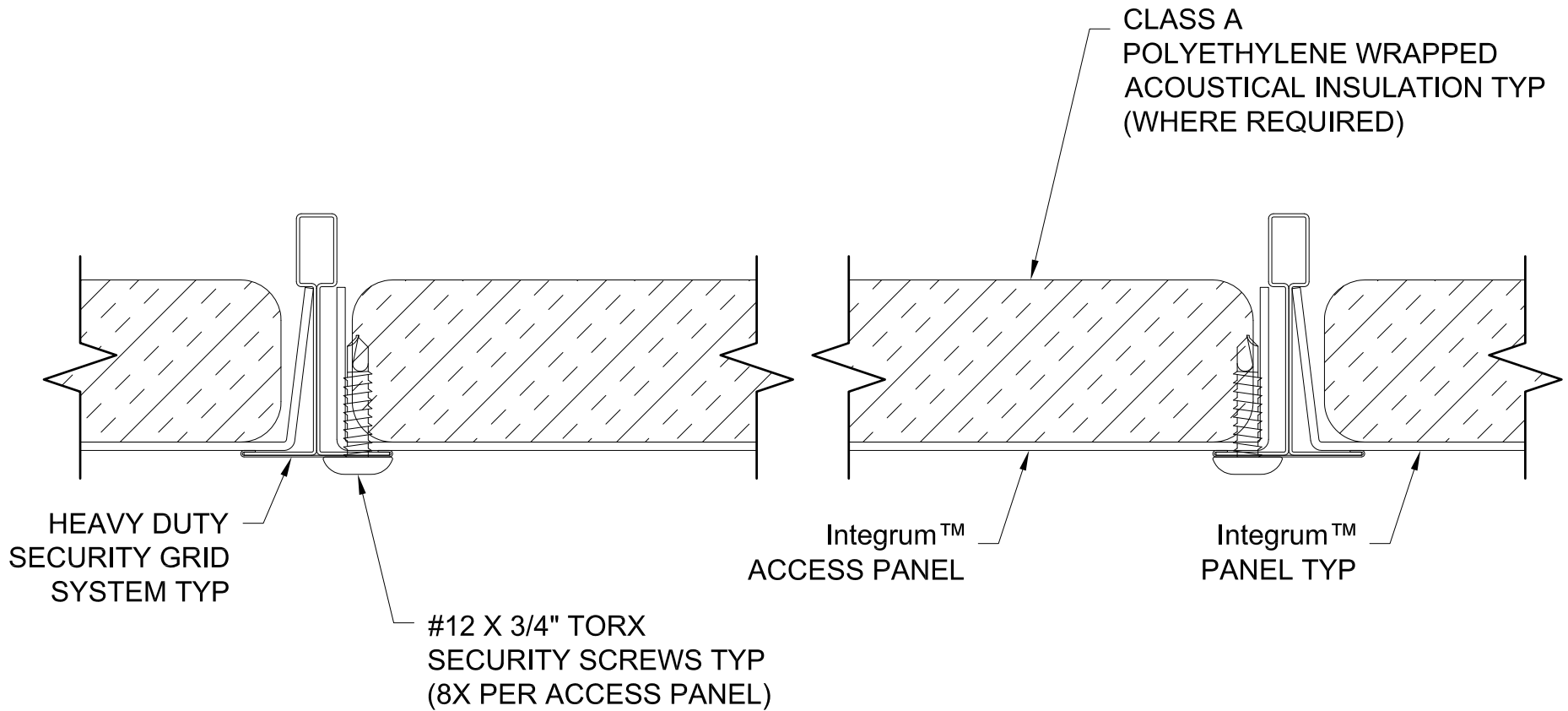
TORX® TAMPER RESISTANT SECURITY SCREWS IS A REGISTERED TRADEMARK OF CAMCAR

**GORDON**®  
ARCHITECTURAL+ENGINEERED SOLUTIONS

5023 Hazel Jones Rd.  
Bossier City, LA 71111  
800.747.8954  
GORDON-INC.COM  
sales@gordon-inc.com

TITLE

Integrum™  
FACE VIEW AT ACCESS PANEL



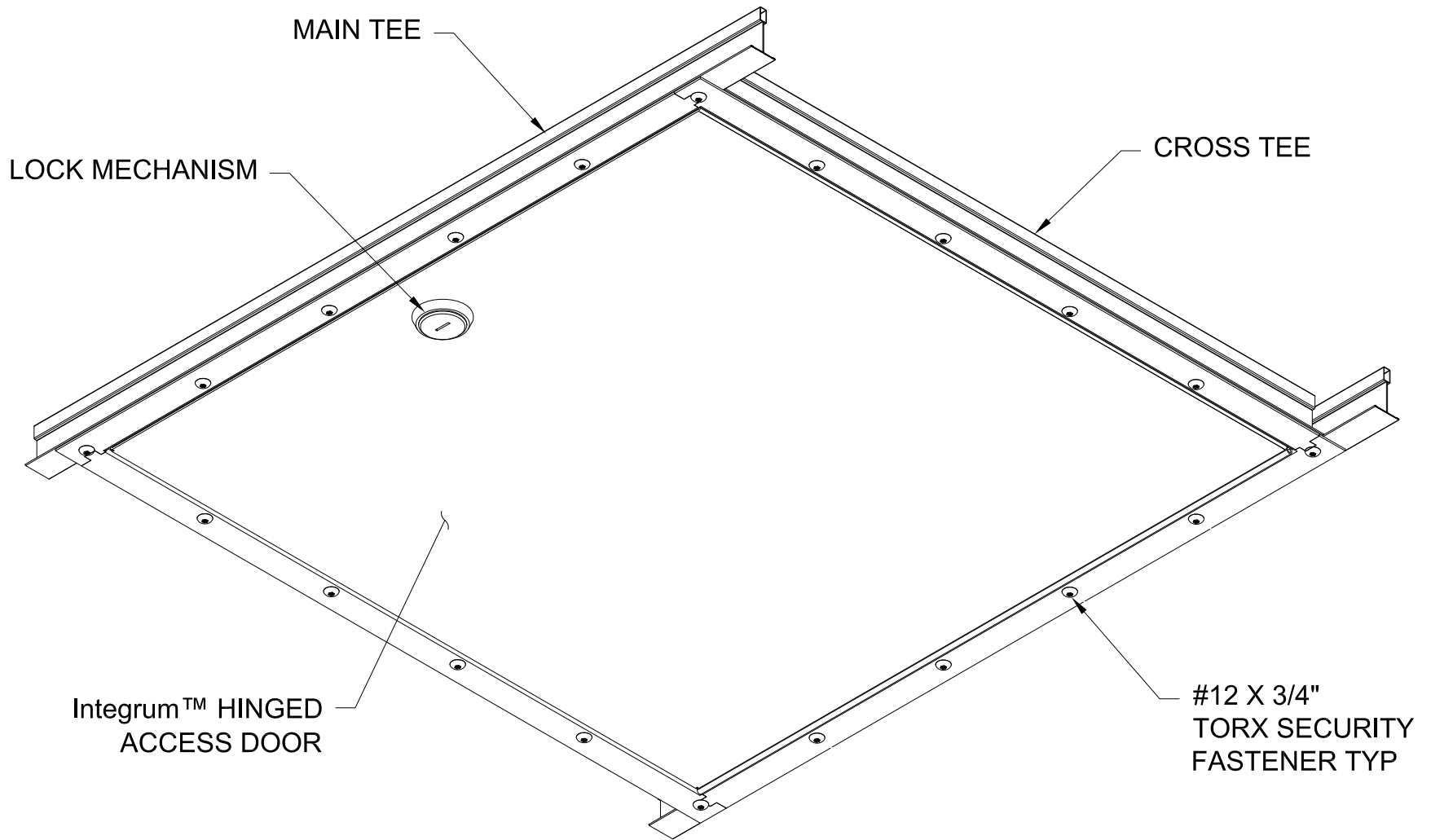
TORX® TAMPER RESISTANT SECURITY SCREWS IS A REGISTERED TRADEMARK OF CAMCAR

**GORDON**®  
ARCHITECTURAL+ENGINEERED SOLUTIONS

5023 Hazel Jones Rd.  
Bossier City, LA 71111  
800.747.8954  
GORDON-INC.COM  
sales@gordon-inc.com

TITLE

Integrum™  
SECTION AT ACCESS PANEL



TORX® TAMPER RESISTANT SECURITY SCREWS IS A REGISTERED TRADEMARK OF CAMCAR

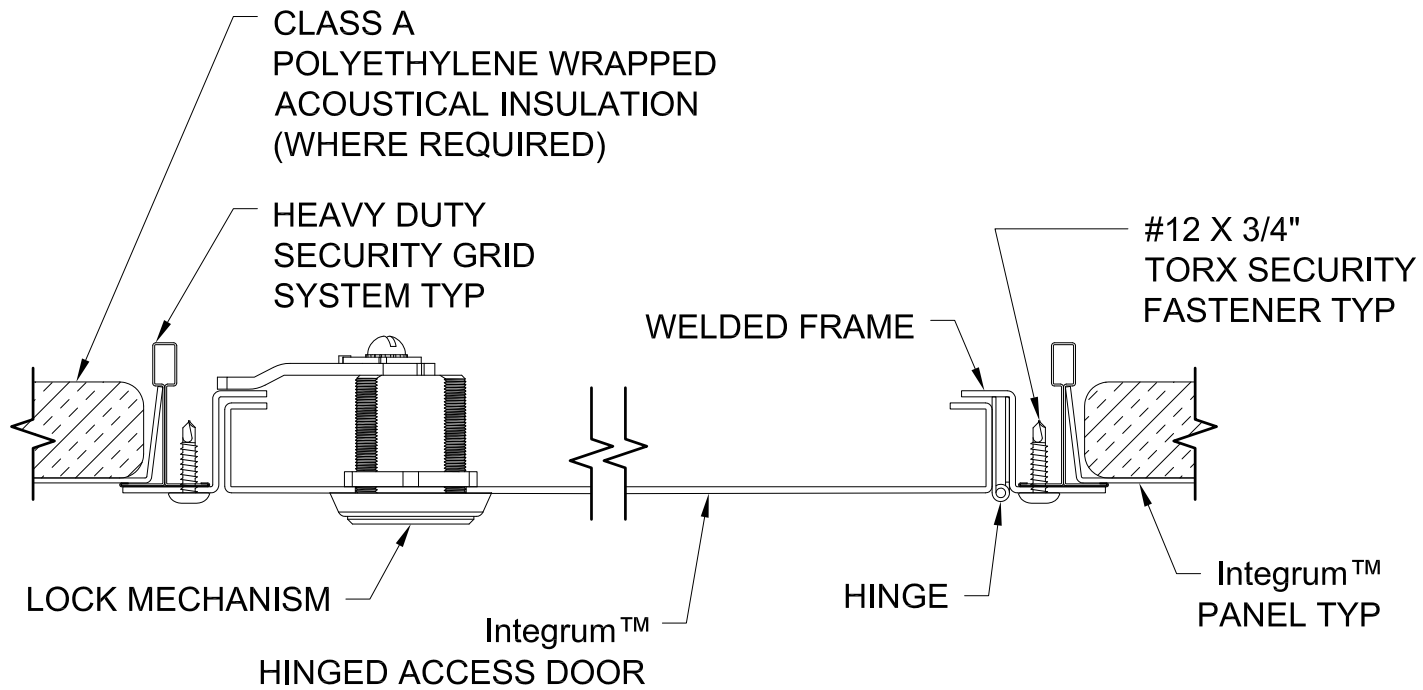
**GORDON**®  
ARCHITECTURAL+ENGINEERED SOLUTIONS

5023 Hazel Jones Rd.  
Bossier City, LA 71111  
800.747.8954  
GORDON-INC.COM  
sales@gordon-inc.com

TITLE

Integrum™  
**ACCESS DOOR ISOMETRIC**  
(FACE VIEW FROM BELOW)





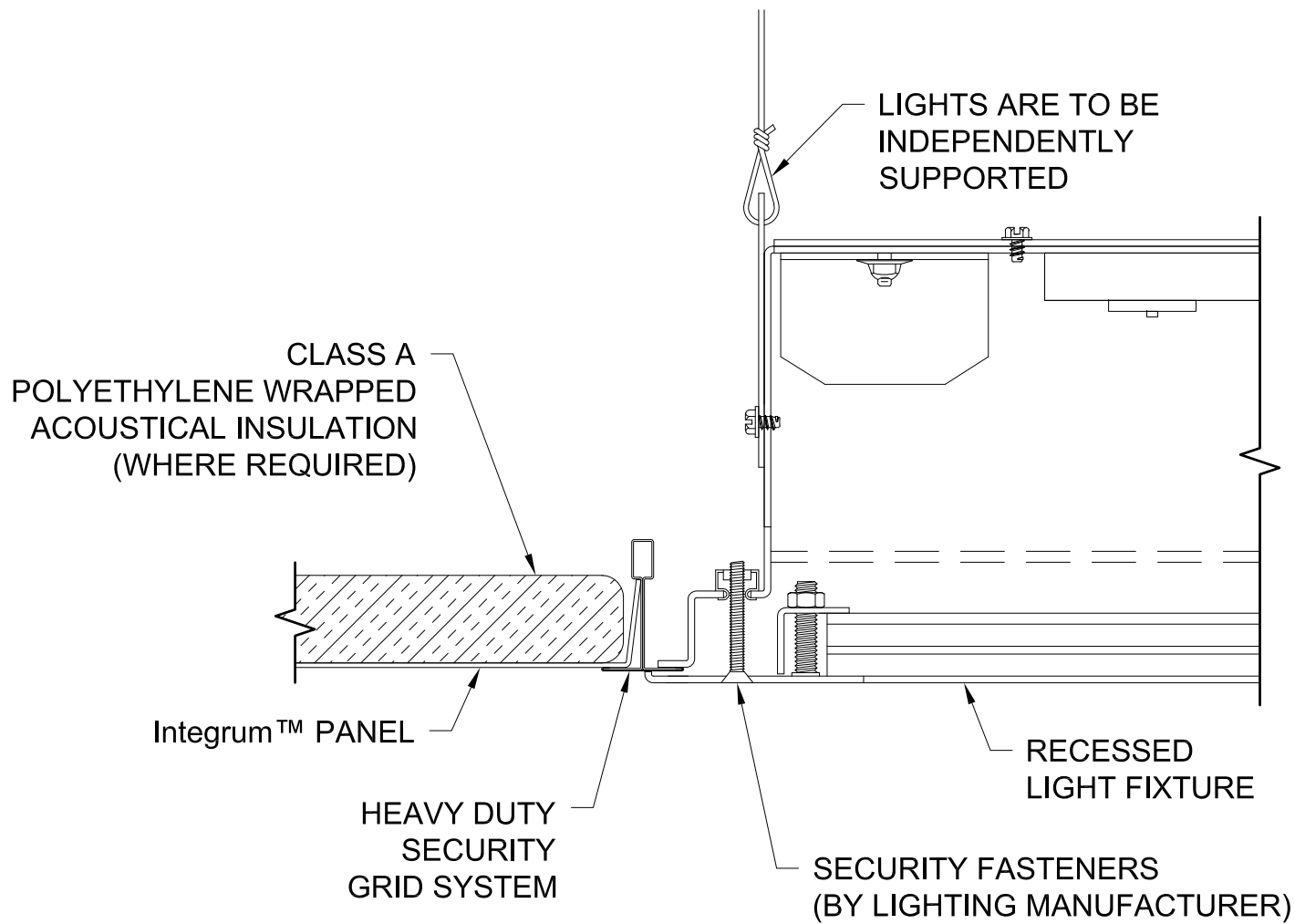
TORX® TAMPER RESISTANT SECURITY SCREWS IS A REGISTERED TRADEMARK OF CAMCAR

**GORDON**®  
ARCHITECTURAL+ENGINEERED SOLUTIONS

5023 Hazel Jones Rd.  
Bossier City, LA 71111  
800.747.8954  
GORDON-INC.COM  
sales@gordon-inc.com

TITLE

**Integrum™**  
**SECTION AT ACCESS DOOR**

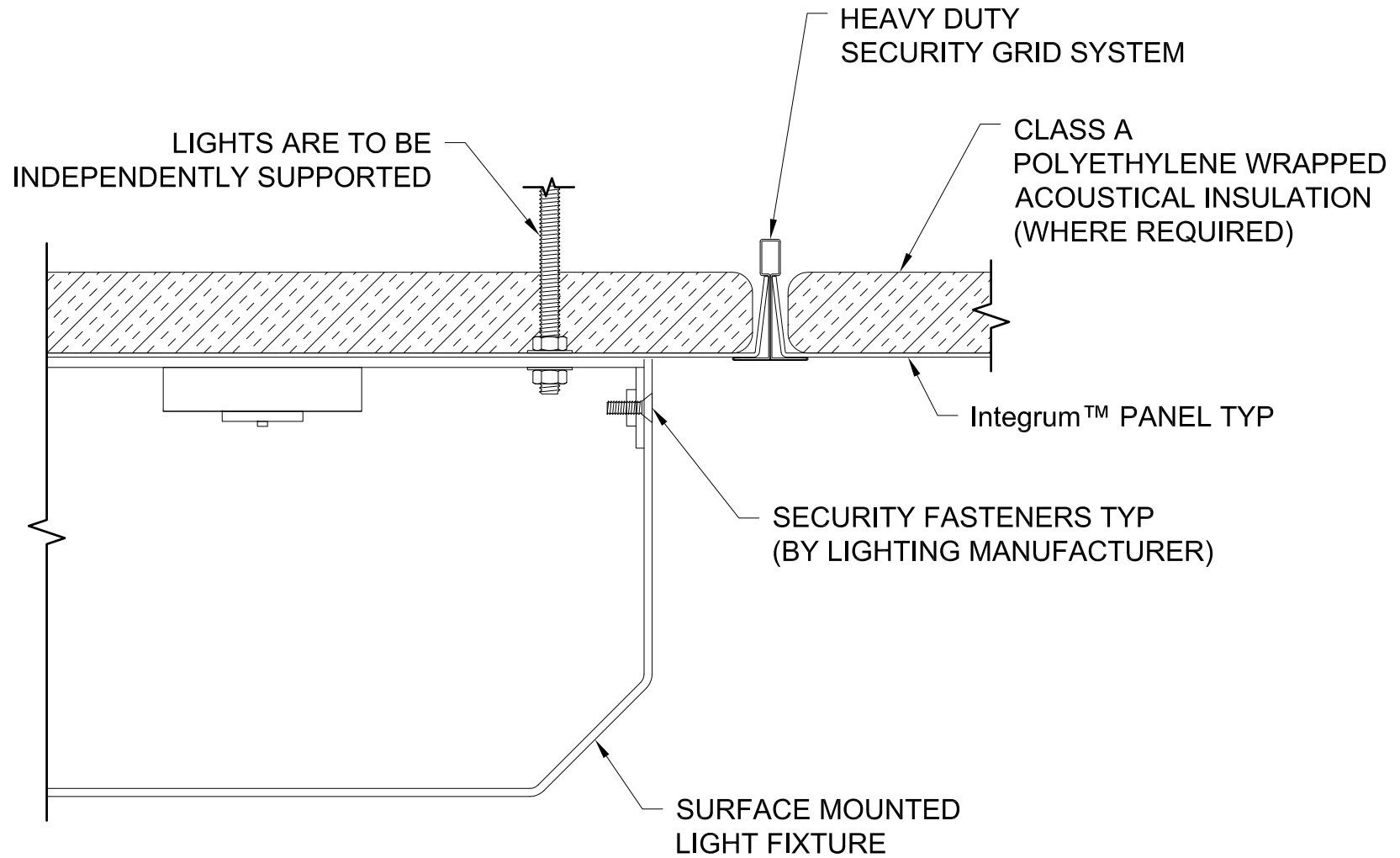


**GORDON**®  
ARCHITECTURAL+ENGINEERED SOLUTIONS

5023 Hazel Jones Rd.  
Bossier City, LA 71111  
800.747.8954  
GORDON-INC.COM  
sales@gordon-inc.com

TITLE

Integrum™  
SECTION AT RECESSED  
LIGHT FIXTURE

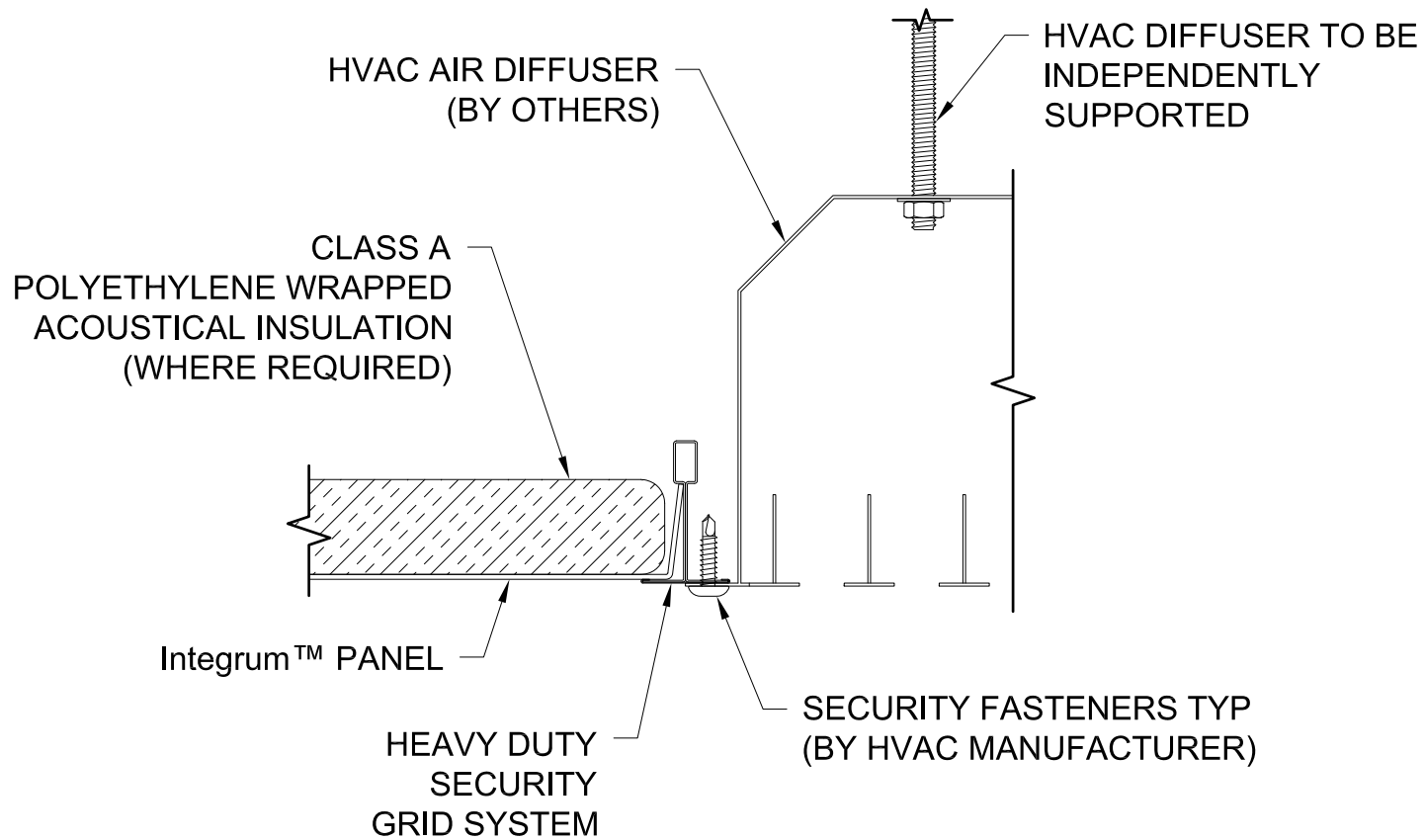


**GORDON**®  
ARCHITECTURAL+ENGINEERED SOLUTIONS

5023 Hazel Jones Rd.  
Bossier City, LA 71111  
800.747.8954  
GORDON-INC.COM  
sales@gordon-inc.com

TITLE

Integrum™  
SECTION AT SURFACE MOUNTED  
LIGHT FIXTURE

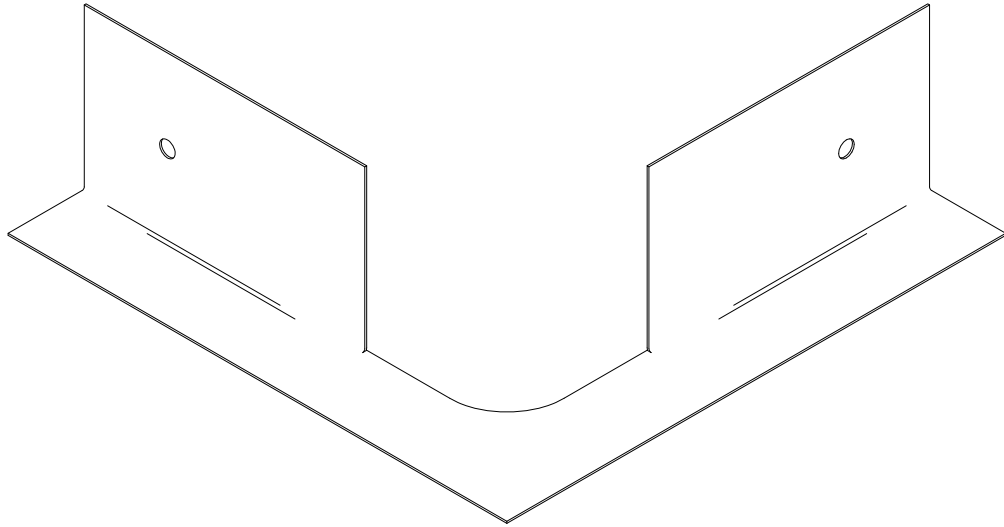


**GORDON**®  
 ARCHITECTURAL+ENGINEERED SOLUTIONS

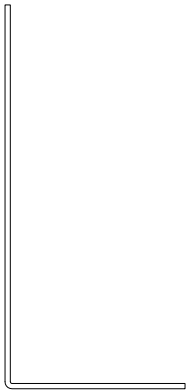
5023 Hazel Jones Rd.  
 Bossier City, LA 71111  
 800.747.8954  
 GORDON-INC.COM  
 sales@gordon-inc.com

TITLE

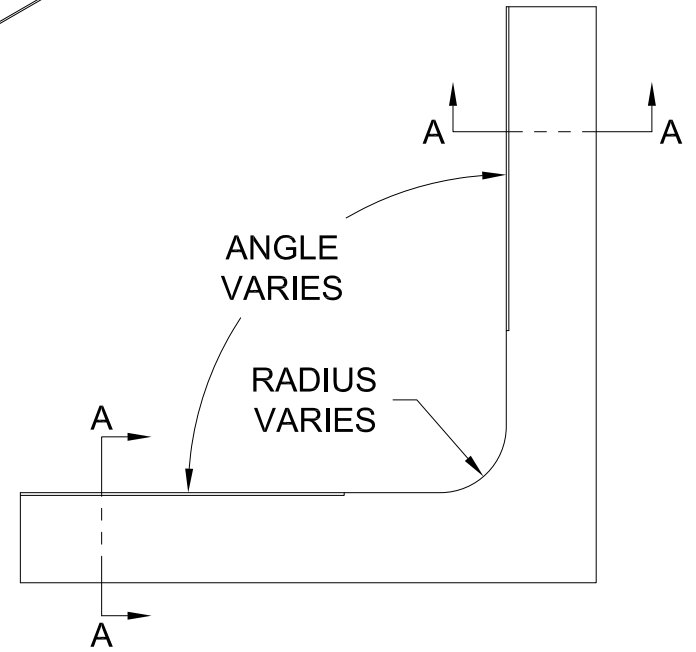
Integrum™  
 SECTION AT HVAC DIFFUSER



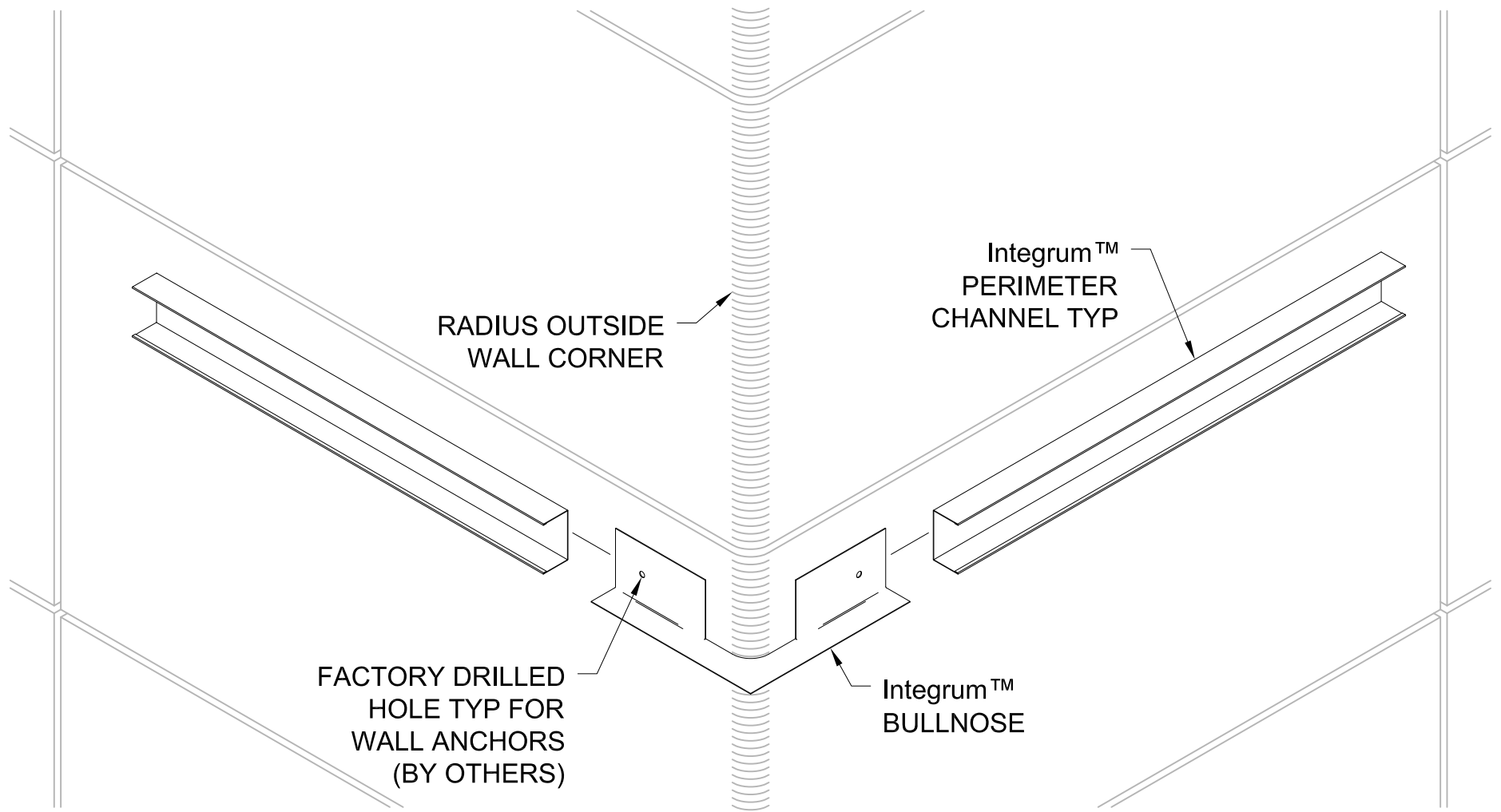
ISOMETRIC VIEW



SECTION A-A



TOP VIEW



RADIUS OUTSIDE  
WALL CORNER

Integrum™  
PERIMETER  
CHANNEL TYP

FACTORY DRILLED  
HOLE TYP FOR  
WALL ANCHORS  
(BY OTHERS)

Integrum™  
BULLNOSE

**GORDON**®  
ARCHITECTURAL+ENGINEERED SOLUTIONS

5023 Hazel Jones Rd.  
Bossier City, LA 71111  
800.747.8954  
GORDON-INC.COM  
sales@gordon-inc.com

TITLE

Integrum™  
BULLNOSE APPLICATION DETAIL