

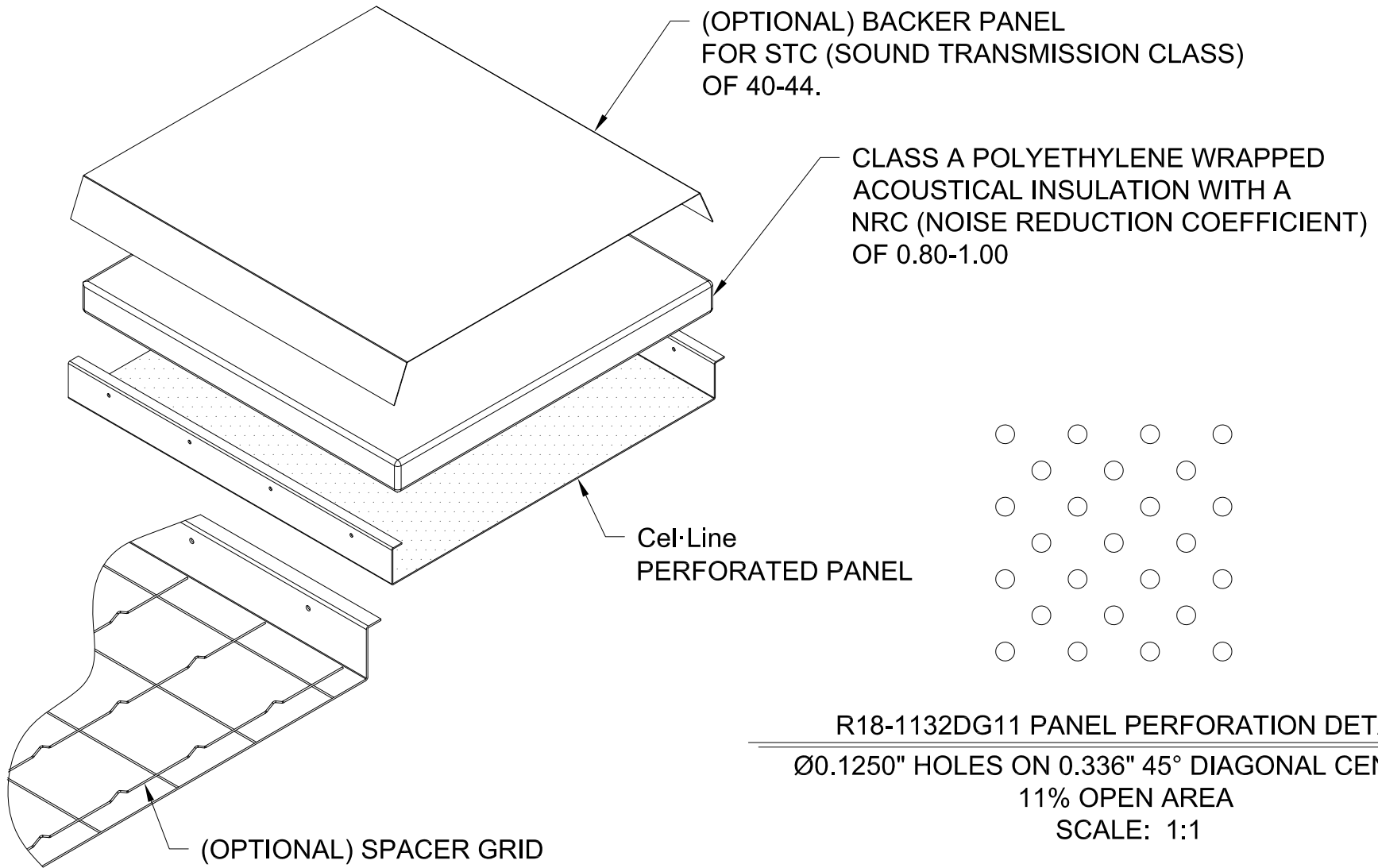
TORX® TAMPER RESISTANT SECURITY SCREWS IS A REGISTERED TRADEMARK OF CAMCAR

TITLE

**GORDON**®  
ARCHITECTURAL+ENGINEERED SOLUTIONS

5023 Hazel Jones Rd.  
Bossier City, LA 71111  
800.747.8954  
GORDON-INC.COM  
sales@gordon-inc.com

EXPOSED FASTENER Cel·Line®  
ISOMETRIC ASSEMBLY DETAIL



**GORDON**<sup>®</sup>  
ARCHITECTURAL+ENGINEERED SOLUTIONS

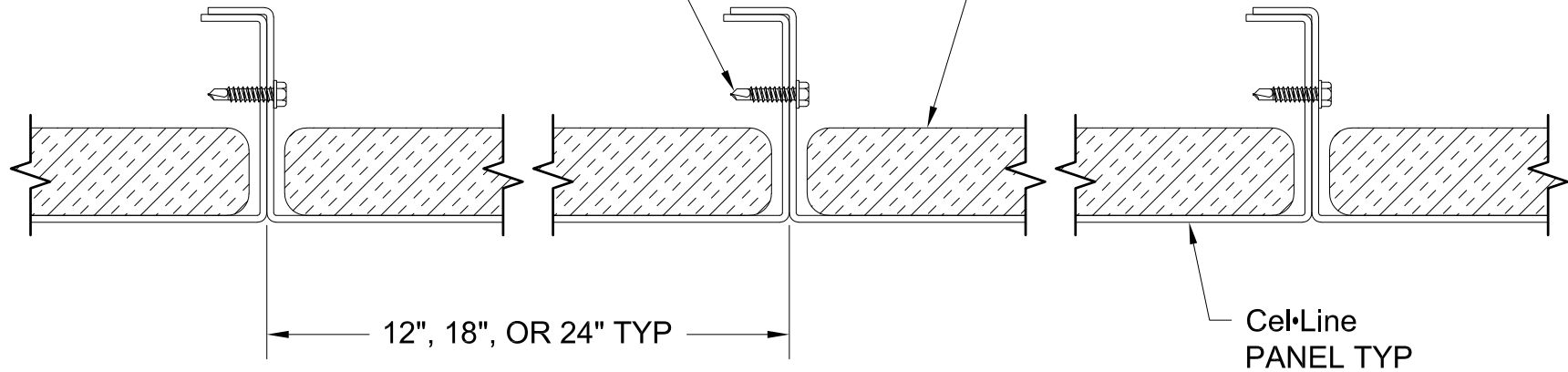
5023 Hazel Jones Rd.  
Bossier City, LA 71111  
800.747.8954  
GORDON-INC.COM  
sales@gordon-inc.com

TITLE

**EXPOSED FASTENER Cel-Line<sup>®</sup>**  
**ISOMETRIC PANEL DETAIL**

#12 X 3/4" SELF-DRILLING  
STITCHING SCREW (BY OTHERS);  
3" MAX FROM END OF  
PANEL AND 12" OC MAX

CLASS A  
POLYETHYLENE WRAPPED  
ACOUSTICAL INSULATION TYP  
(WHERE REQUIRED)

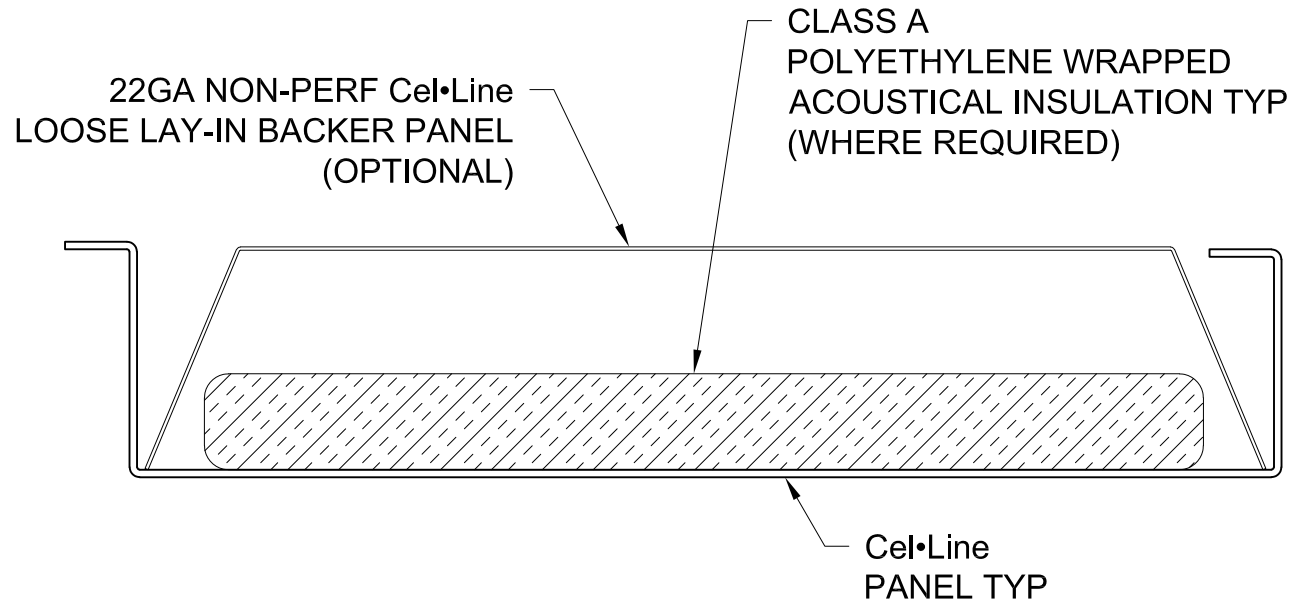


**GORDON**<sup>®</sup>  
ARCHITECTURAL+ENGINEERED SOLUTIONS

5023 Hazel Jones Rd.  
Bossier City, LA 71111  
800.747.8954  
GORDON-INC.COM  
sales@gordon-inc.com

TITLE

EXPOSED FASTENER Cel-Line<sup>®</sup>  
TYP PANEL SECTION

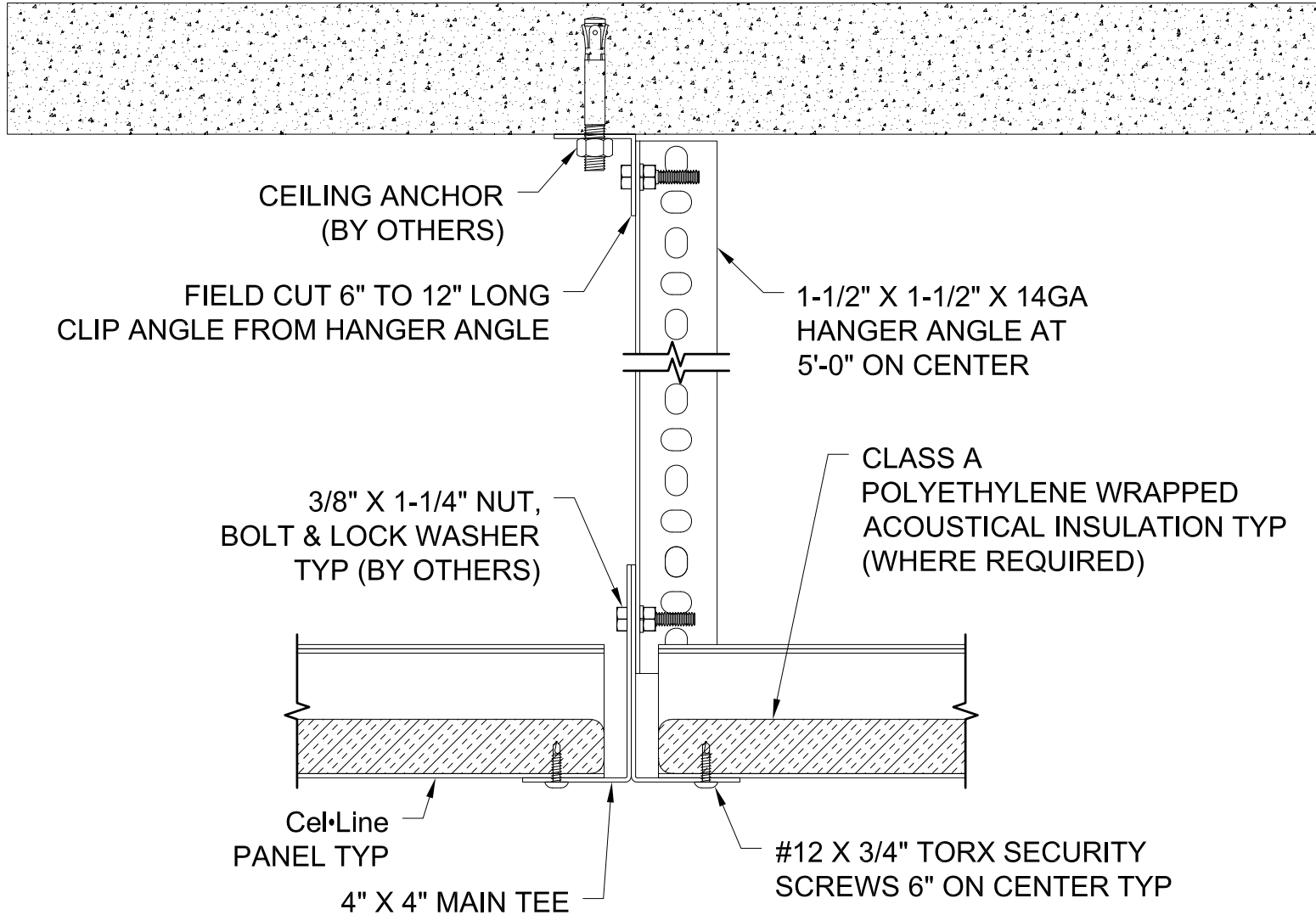


**GORDON**<sup>®</sup>  
ARCHITECTURAL+ENGINEERED SOLUTIONS

5023 Hazel Jones Rd.  
Bossier City, LA 71111  
800.747.8954  
GORDON-INC.COM  
sales@gordon-inc.com

TITLE

EXPOSED FASTENER Cel-Line<sup>®</sup>  
SECTION AT BACKER PANEL



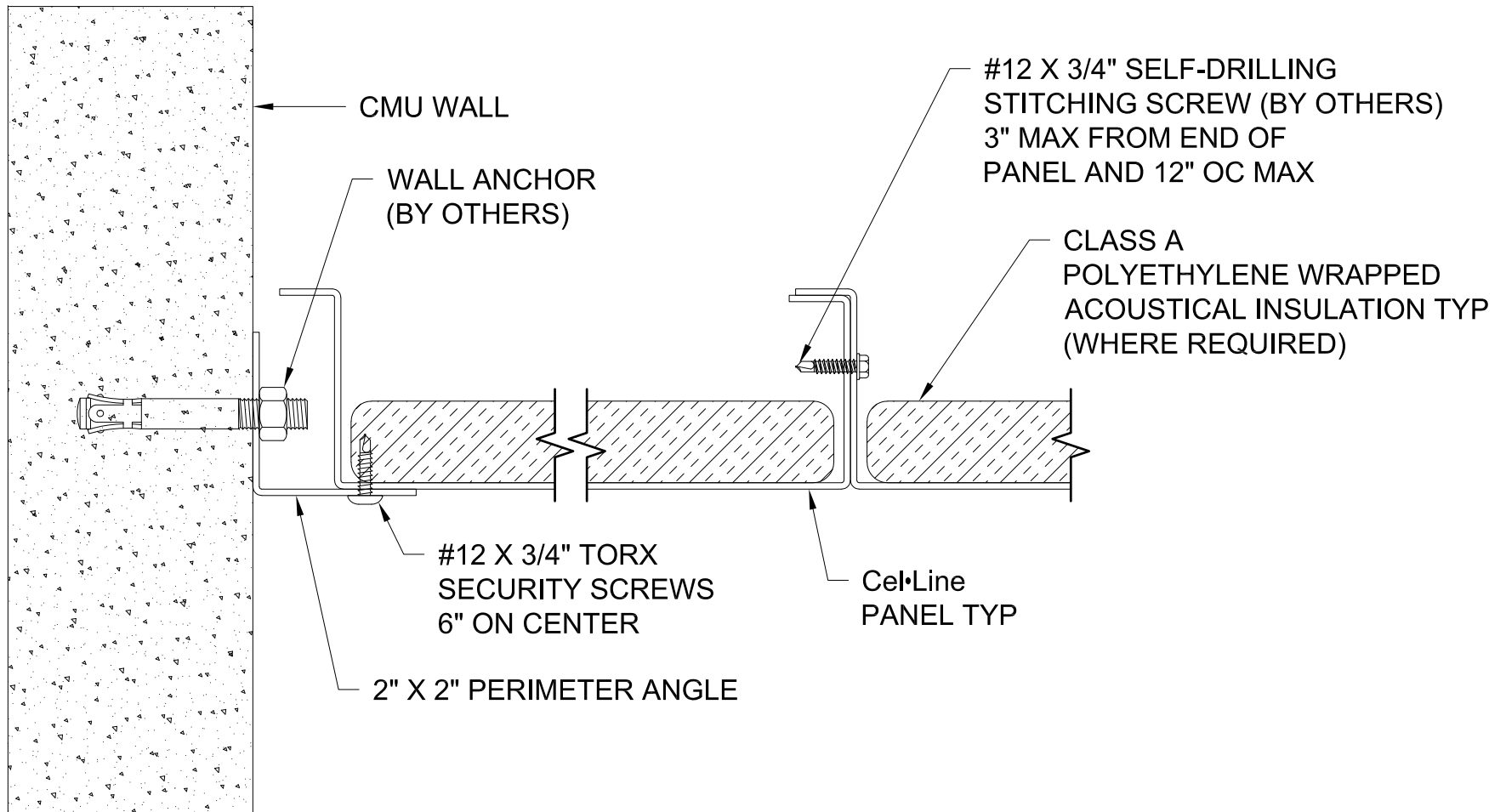
TORX® TAMPER RESISTANT SECURITY SCREWS IS A REGISTERED TRADEMARK OF CAMCAR

TITLE

**GORDON**®  
ARCHITECTURAL+ENGINEERED SOLUTIONS

5023 Hazel Jones Rd.  
Bossier City, LA 71111  
800.747.8954  
GORDON-INC.COM  
sales@gordon-inc.com

EXPOSED FASTENER Cel•Line®  
DETAIL AT MAIN TEE



TORX® TAMPER RESISTANT SECURITY SCREWS IS A REGISTERED TRADEMARK OF CAMCAR

TITLE

**GORDON**®  
ARCHITECTURAL+ENGINEERED SOLUTIONS

5023 Hazel Jones Rd.  
Bossier City, LA 71111  
800.747.8954  
GORDON-INC.COM  
sales@gordon-inc.com

EXPOSED FASTENER Cel·Line®  
DETAIL AT START PANEL

CLASS A  
POLYETHYLENE WRAPPED  
ACOUSTICAL INSULATION TYP  
(WHERE REQUIRED)

Cel•Line  
PANEL TYP

WALL ANCHOR  
(BY OTHERS)

#12 X 3/4" TORX  
SECURITY SCREWS  
6" ON CENTER

2" X 2" PERIMETER ANGLE

CMU WALL

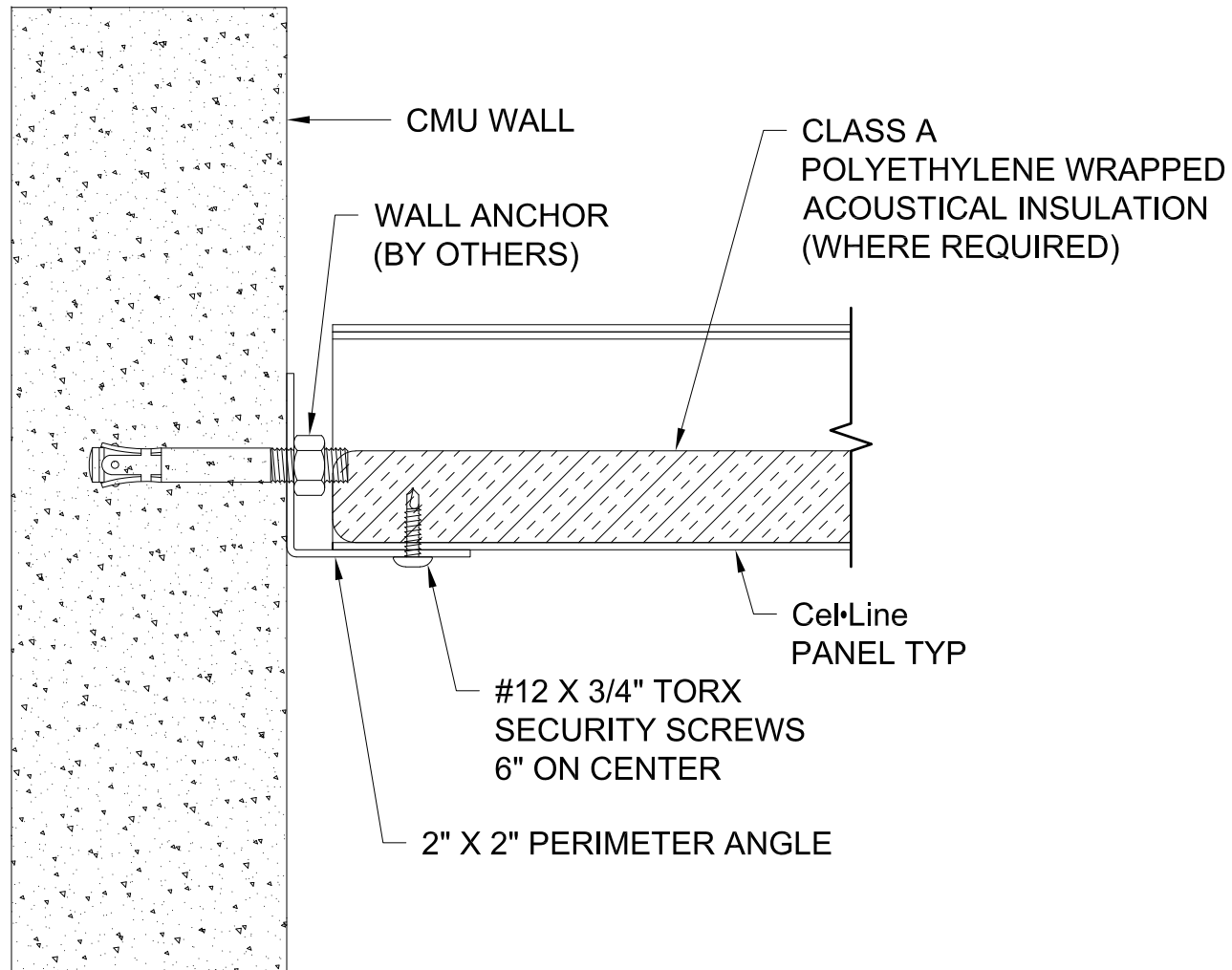
TORX® TAMPER RESISTANT SECURITY SCREWS IS A REGISTERED TRADEMARK OF CAMCAR

TITLE

**GORDON**®  
ARCHITECTURAL+ENGINEERED SOLUTIONS

5023 Hazel Jones Rd.  
Bossier City, LA 71111  
800.747.8954  
GORDON-INC.COM  
sales@gordon-inc.com

EXPOSED FASTENER Cel•Line®  
DETAIL AT LAST PANEL



TORX® TAMPER RESISTANT SECURITY SCREWS IS A REGISTERED TRADEMARK OF CAMCAR

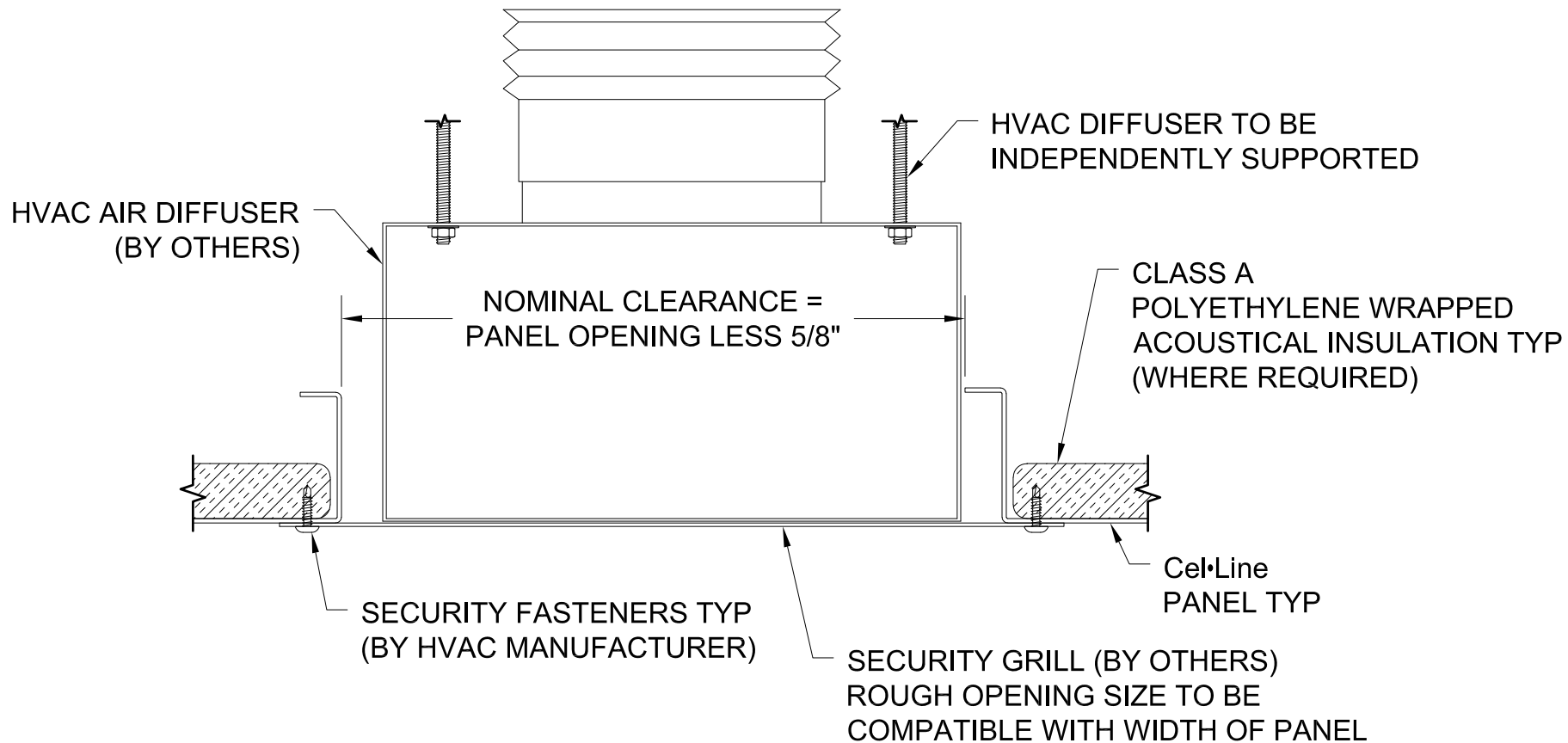
TITLE

**GORDON**®  
ARCHITECTURAL+ENGINEERED SOLUTIONS

5023 Hazel Jones Rd.  
Bossier City, LA 71111  
800.747.8954  
GORDON-INC.COM  
sales@gordon-inc.com

EXPOSED FASTENER Cel•Line®  
DETAIL AT END OF PANEL



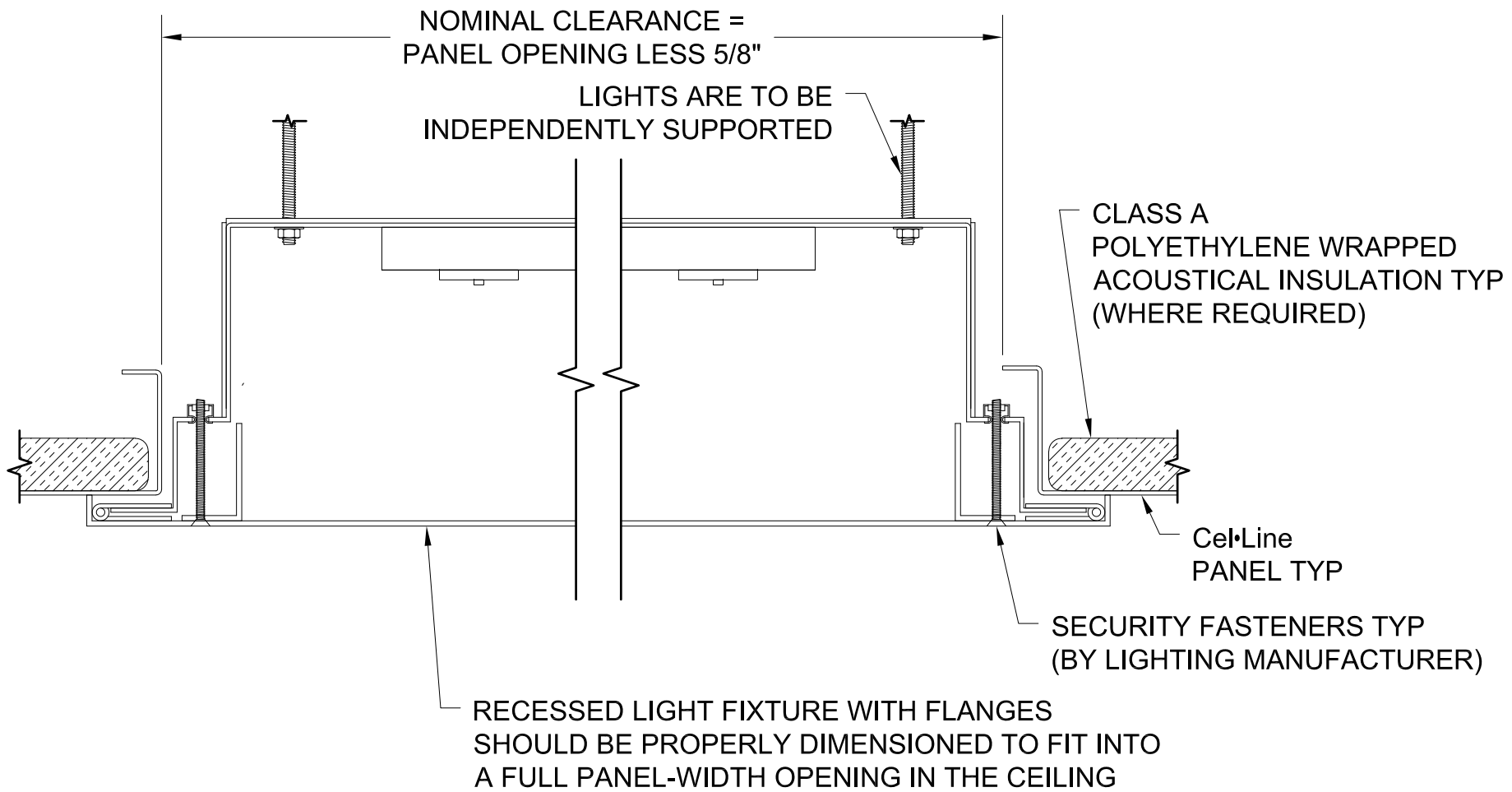


**GORDON**<sup>®</sup>  
ARCHITECTURAL+ENGINEERED SOLUTIONS

5023 Hazel Jones Rd.  
Bossier City, LA 71111  
800.747.8954  
GORDON-INC.COM  
sales@gordon-inc.com

TITLE

EXPOSED FASTENER Cel•Line<sup>®</sup>  
DETAIL AT HVAC DIFFUSER



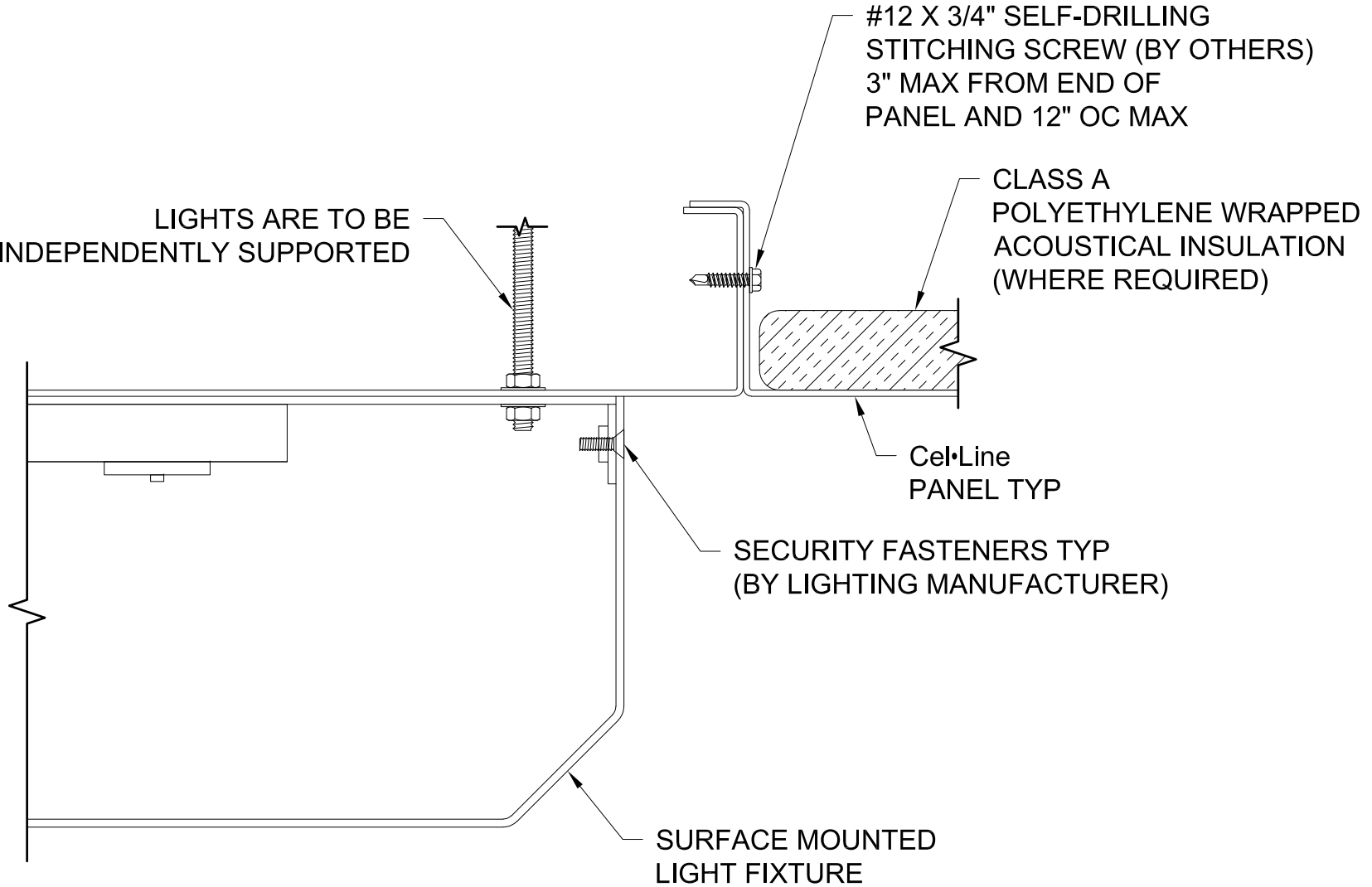
TITLE

**GORDON**<sup>®</sup>  
ARCHITECTURAL+ENGINEERED SOLUTIONS

5023 Hazel Jones Rd.  
Bossier City, LA 71111  
800.747.8954  
GORDON-INC.COM  
sales@gordon-inc.com

EXPOSED FASTENER Cel•Line<sup>®</sup>  
DETAIL AT RECESSED LIGHT FIXTURE

LIGHTS ARE TO BE  
INDEPENDENTLY SUPPORTED

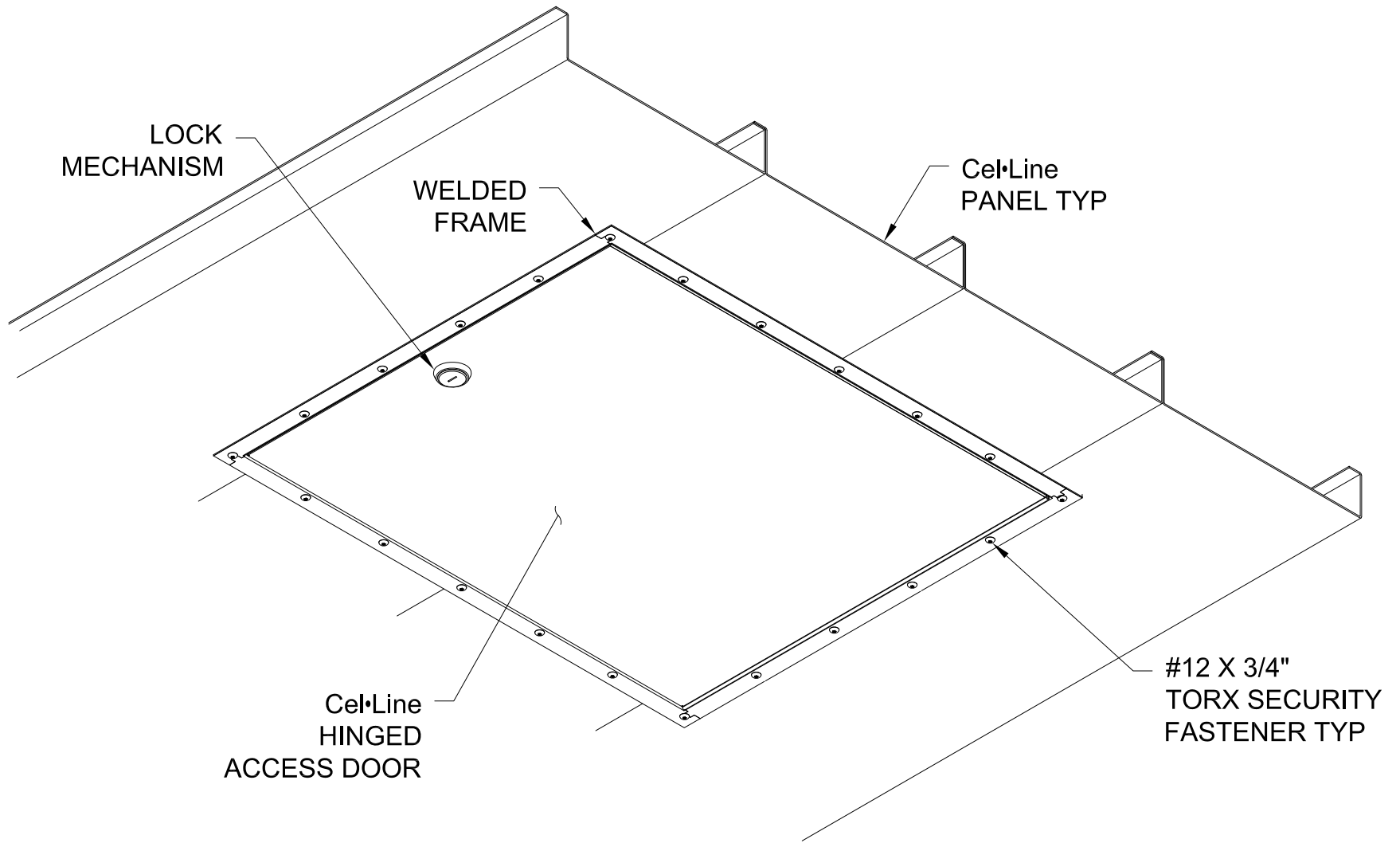


**GORDON**<sup>®</sup>  
ARCHITECTURAL+ENGINEERED SOLUTIONS

5023 Hazel Jones Rd.  
Bossier City, LA 71111  
800.747.8954  
GORDON-INC.COM  
sales@gordon-inc.com

TITLE

**EXPOSED FASTENER Cel•Line<sup>®</sup>**  
**DETAIL AT SURFACE MOUNTED LIGHT FIXTURE**



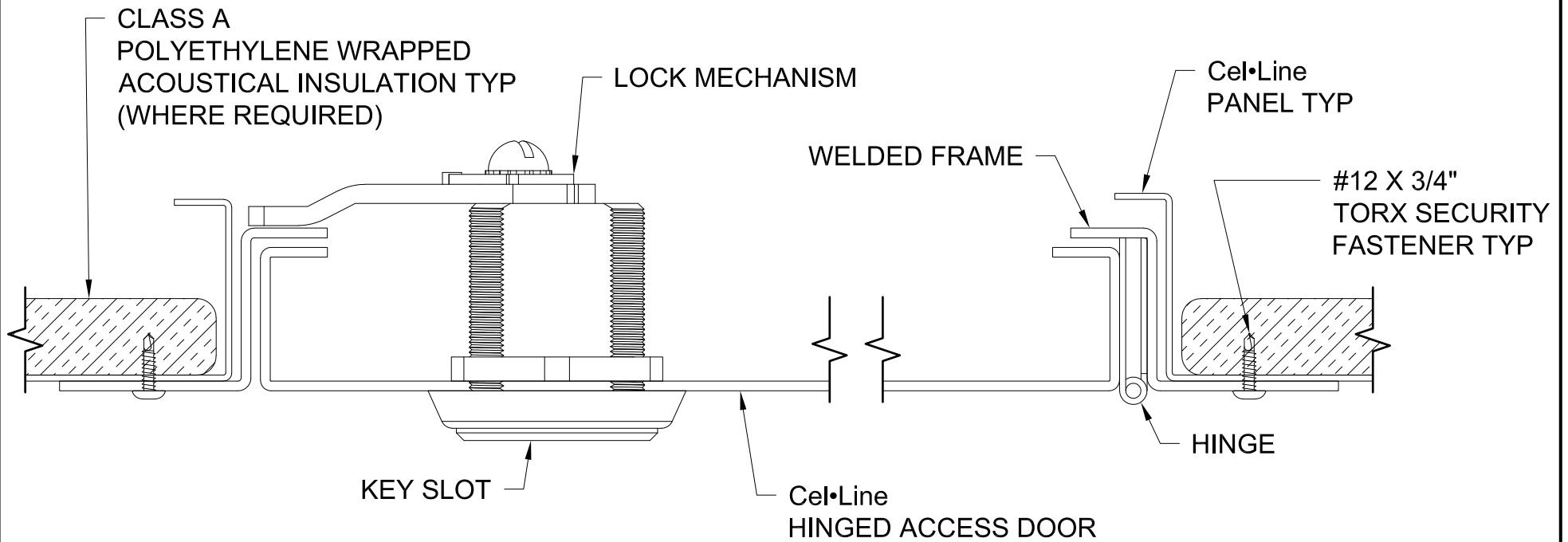
TORX® TAMPER RESISTANT SECURITY SCREWS IS A REGISTERED TRADEMARK OF CAMCAR

TITLE

**GORDON**®  
ARCHITECTURAL+ENGINEERED SOLUTIONS

5023 Hazel Jones Rd.  
Bossier City, LA 71111  
800.747.8954  
GORDON-INC.COM  
sales@gordon-inc.com

**EXPOSED FASTENER Cel·Line®**  
**ISOMETRIC DETAIL AT ACCESS DOOR**  
**(FACE VIEW FROM BELOW)**



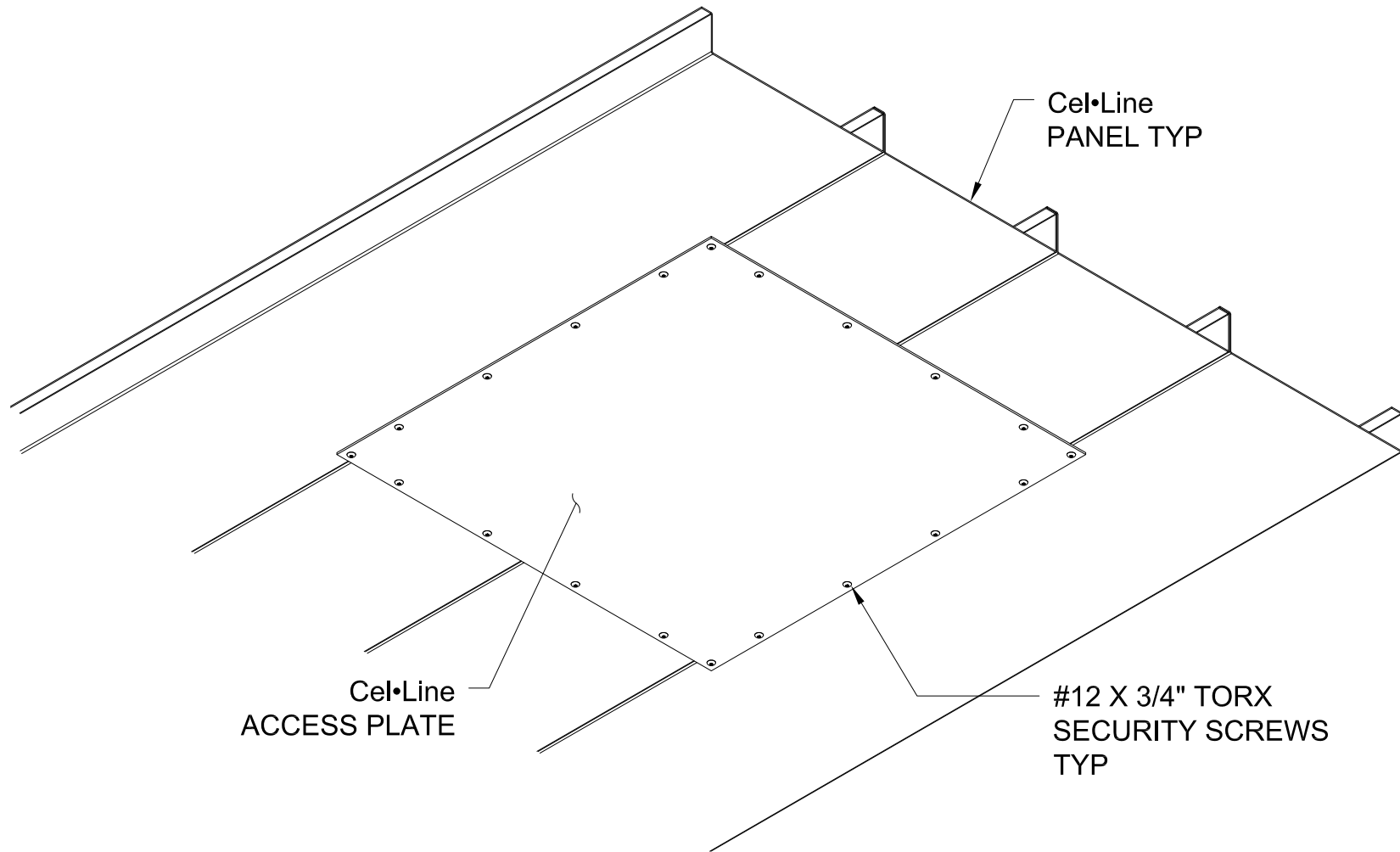
TORX® TAMPER RESISTANT SECURITY SCREWS IS A REGISTERED TRADEMARK OF CAMCAR

TITLE

**GORDON**®  
ARCHITECTURAL+ENGINEERED SOLUTIONS

5023 Hazel Jones Rd.  
Bossier City, LA 71111  
800.747.8954  
GORDON-INC.COM  
sales@gordon-inc.com

EXPOSED FASTENER Cel-Line®  
SECTION AT ACCESS DOOR



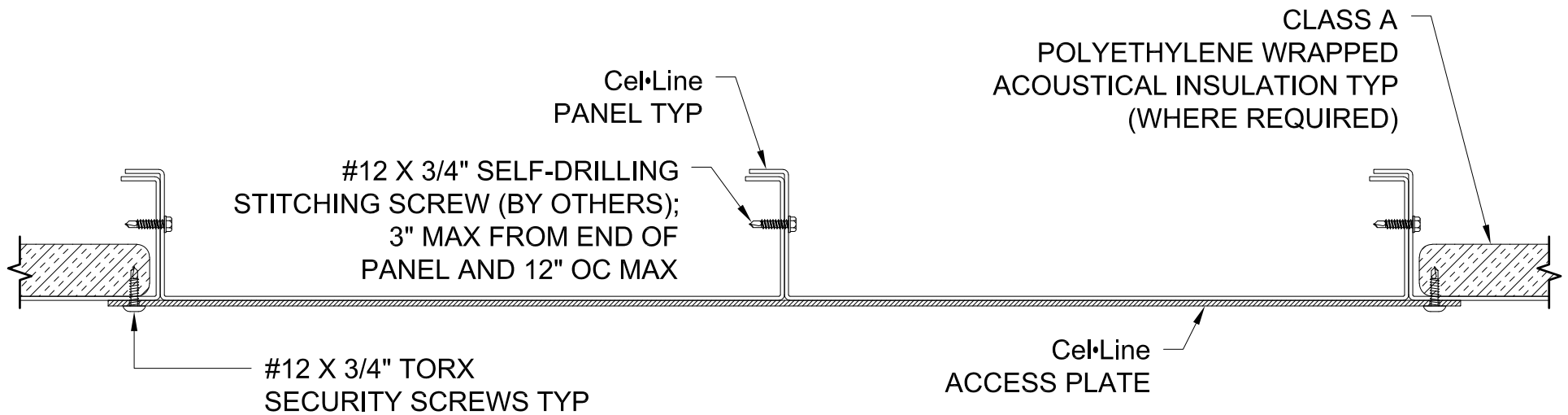
TORX® TAMPER RESISTANT SECURITY SCREWS IS A REGISTERED TRADEMARK OF CAMCAR

**GORDON**®  
ARCHITECTURAL+ENGINEERED SOLUTIONS

5023 Hazel Jones Rd.  
Bossier City, LA 71111  
800.747.8954  
GORDON-INC.COM  
sales@gordon-inc.com

TITLE

**EXPOSED FASTENER Cel-Line®**  
**ISOMETRIC DETAIL AT ACCESS PLATE**  
(FACE VIEW FROM BELOW)



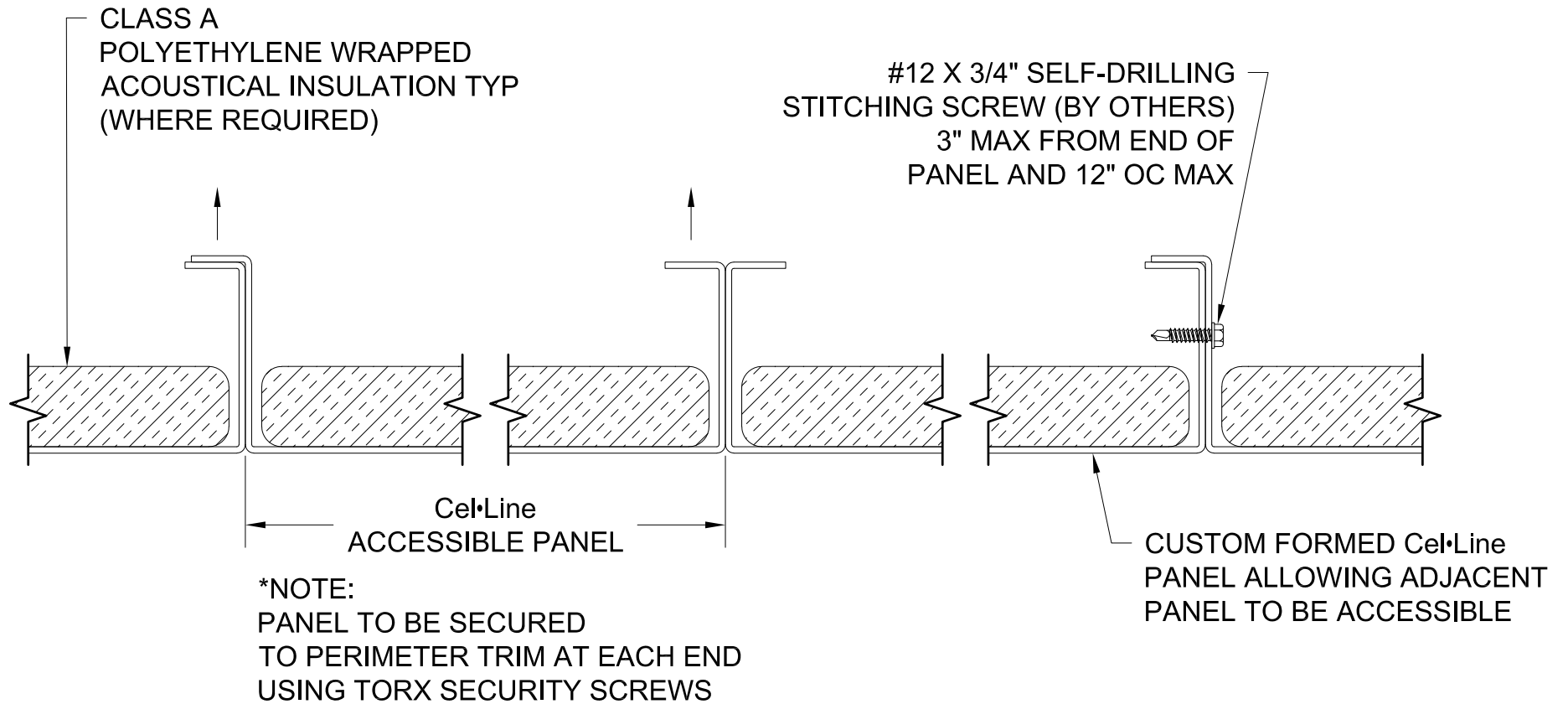
TORX® TAMPER RESISTANT SECURITY SCREWS IS A REGISTERED TRADEMARK OF CAMCAR

TITLE

**GORDON**®  
ARCHITECTURAL+ENGINEERED SOLUTIONS

5023 Hazel Jones Rd.  
Bossier City, LA 71111  
800.747.8954  
GORDON-INC.COM  
sales@gordon-inc.com

EXPOSED FASTENER Cel•Line®  
SECTION AT ACCESS PLATE



TORX® TAMPER RESISTANT SECURITY SCREWS IS A REGISTERED TRADEMARK OF CAMCAR

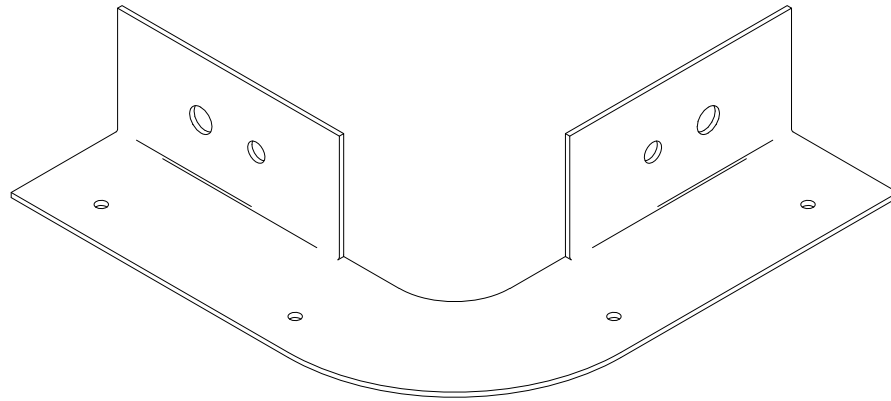
TITLE

**GORDON**®  
ARCHITECTURAL+ENGINEERED SOLUTIONS

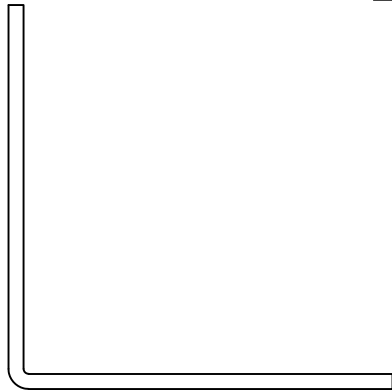
5023 Hazel Jones Rd.  
Bossier City, LA 71111  
800.747.8954  
GORDON-INC.COM  
sales@gordon-inc.com

EXPOSED FASTENER Cel•Line®  
SECTION AT ACCESS PANEL

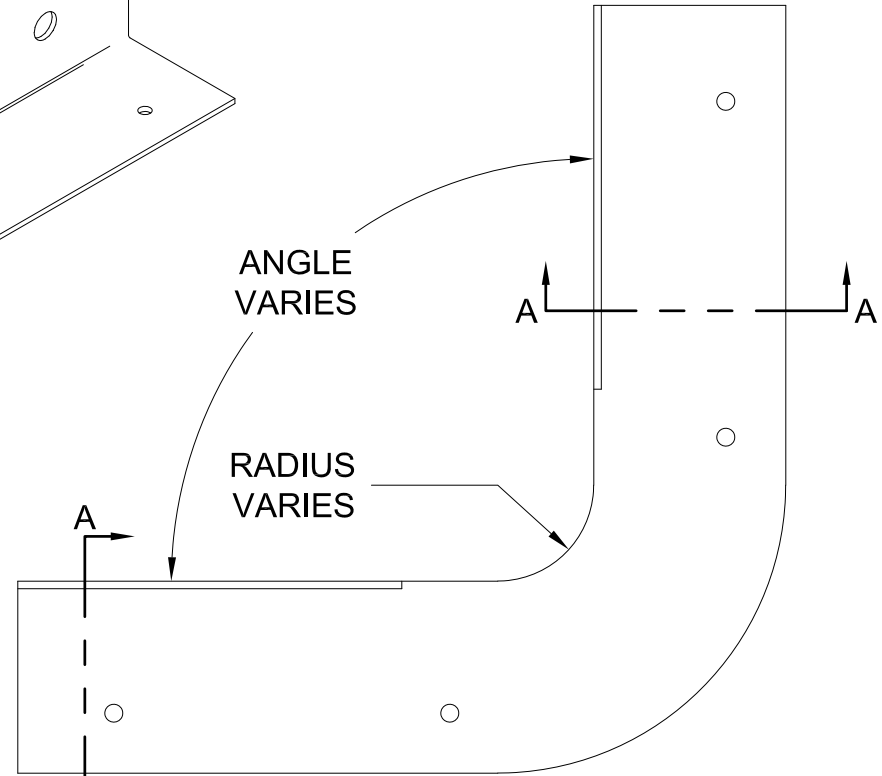




ISOMETRIC VIEW



SECTION A-A



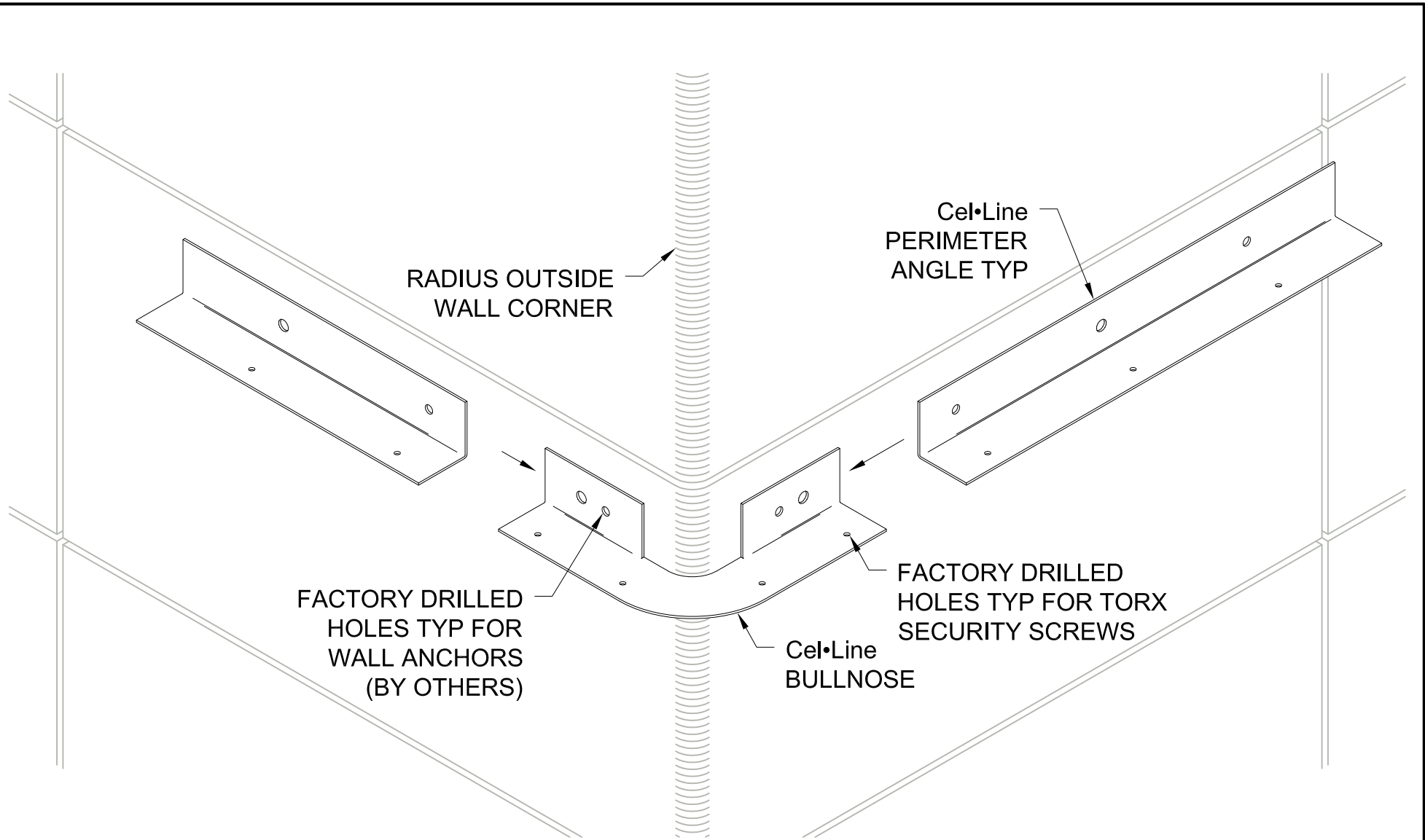
TOP VIEW

**GORDON**<sup>®</sup>  
ARCHITECTURAL+ENGINEERED SOLUTIONS

5023 Hazel Jones Rd.  
Bossier City, LA 71111  
800.747.8954  
GORDON-INC.COM  
sales@gordon-inc.com

TITLE

**EXPOSED FASTENER Cel•Line<sup>®</sup>**  
**BULLNOSE DETAILS**



TORX® TAMPER RESISTANT SECURITY SCREWS IS A REGISTERED TRADEMARK OF CAMCAR

TITLE

**GORDON**®  
ARCHITECTURAL+ENGINEERED SOLUTIONS

5023 Hazel Jones Rd.  
Bossier City, LA 71111  
800.747.8954  
GORDON-INC.COM  
sales@gordon-inc.com

EXPOSED FASTENER Cel-Line®  
BULLNOSE APPLICATION DETAIL